



US00D485455S

(12) **United States Design Patent**
Petrucelli

(10) **Patent No.:** **US D485,455 S**
(45) **Date of Patent:** **** Jan. 20, 2004**

(54) **SEAT FOR BEAUTY SALON CHAIR**

(75) Inventor: **Giulio Petrucelli**, Flushing, NY (US)

(73) Assignee: **P. S. Pibbs, Inc.**, Flushing, NY (US)

(**) Term: **14 Years**

(21) Appl. No.: **29/181,321**

(22) Filed: **May 7, 2003**

(51) **LOC (7) Cl.** **06-06**

(52) **U.S. Cl.** **D6/500; D6/364**

(58) **Field of Search** D6/334, 335, 349,
D6/356, 364, 365, 366, 380, 500-502;
297/451.1, 451.5, 451.6, 461, 462, 452.13

(56) **References Cited**

U.S. PATENT DOCUMENTS

D76,729 S	*	10/1928	Schulse	D6/360
D148,922 S	*	3/1948	Fleischer	D6/356
2,693,227 A	*	11/1954	Holland	297/451.6
D276,766 S	*	12/1984	Truette	D6/366
D313,896 S	*	1/1991	Kaye	D6/365
D338,565 S	*	8/1993	Tihany	D6/380
D341,949 S	*	12/1993	Dugan	D6/348
6,428,105 B1	*	8/2002	Ellis et al.	297/452.13

* cited by examiner

Primary Examiner—Doris V. Coles

Assistant Examiner—Mimosa De

(74) *Attorney, Agent, or Firm*—Anthony J. Casella; Gerald E. Hespos

(57) **CLAIM**

The ornamental design for a seat for beauty salon chair, as shown and described.

DESCRIPTION

FIG. 1 is a perspective view of a seat for beauty salon chair of my new design;

FIG. 2 is a top plan view of the seat for beauty salon chair of FIG. 1;

FIG. 3 is a front elevational view of the seat for beauty salon chair of FIG. 1;

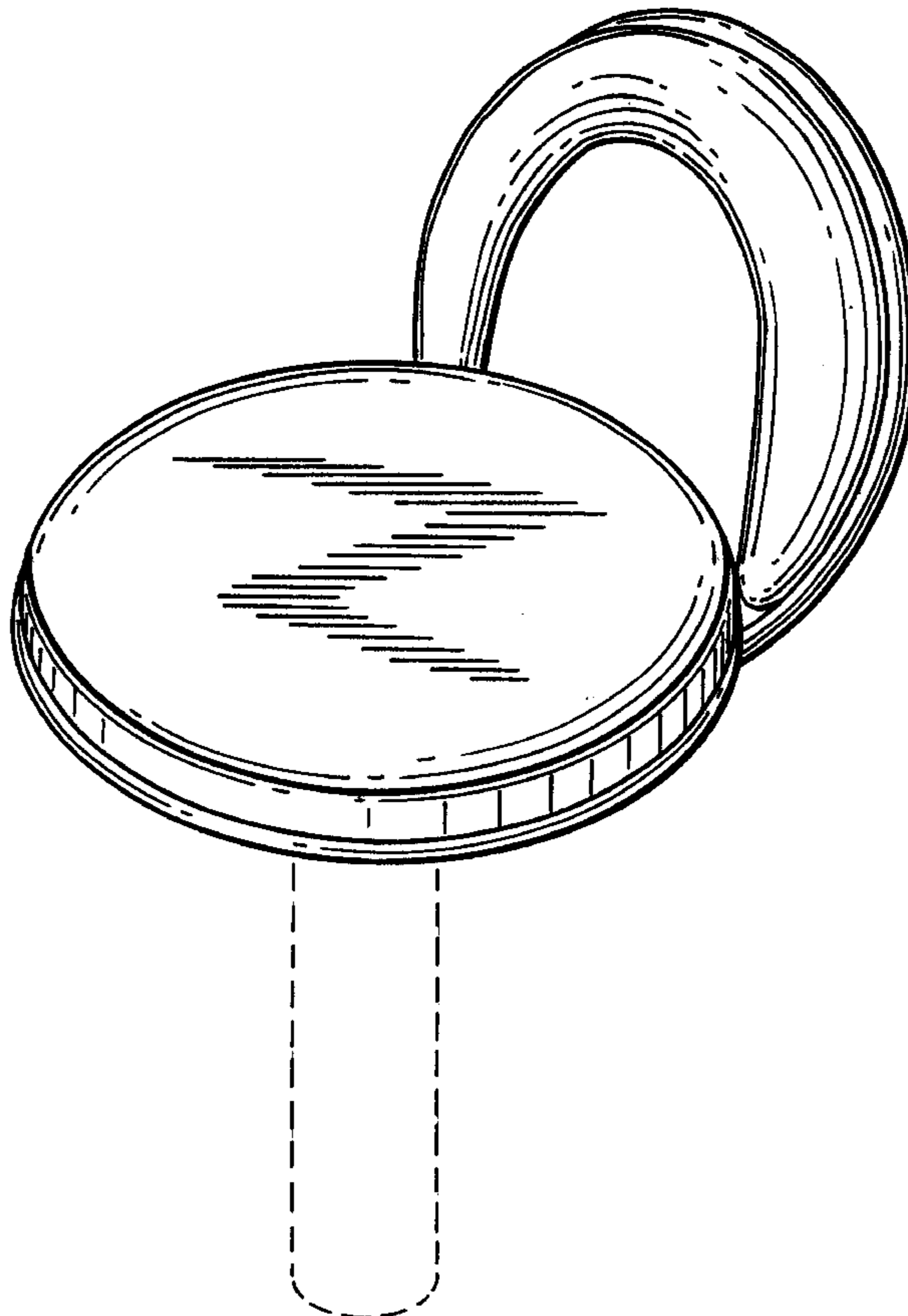
FIG. 4 is a side elevational view of the seat for beauty salon chair of FIG. 1, the opposite side being a mirror image of the side shown;

FIG. 5 is a rear elevational view of the seat for beauty salon chair of FIG. 1; and,

FIG. 6 is a bottom plan view thereof.

The broken line showing of the leg support in FIG. 1 is for illustrative purposes only and forms no part of the claimed design.

1 Claim, 4 Drawing Sheets



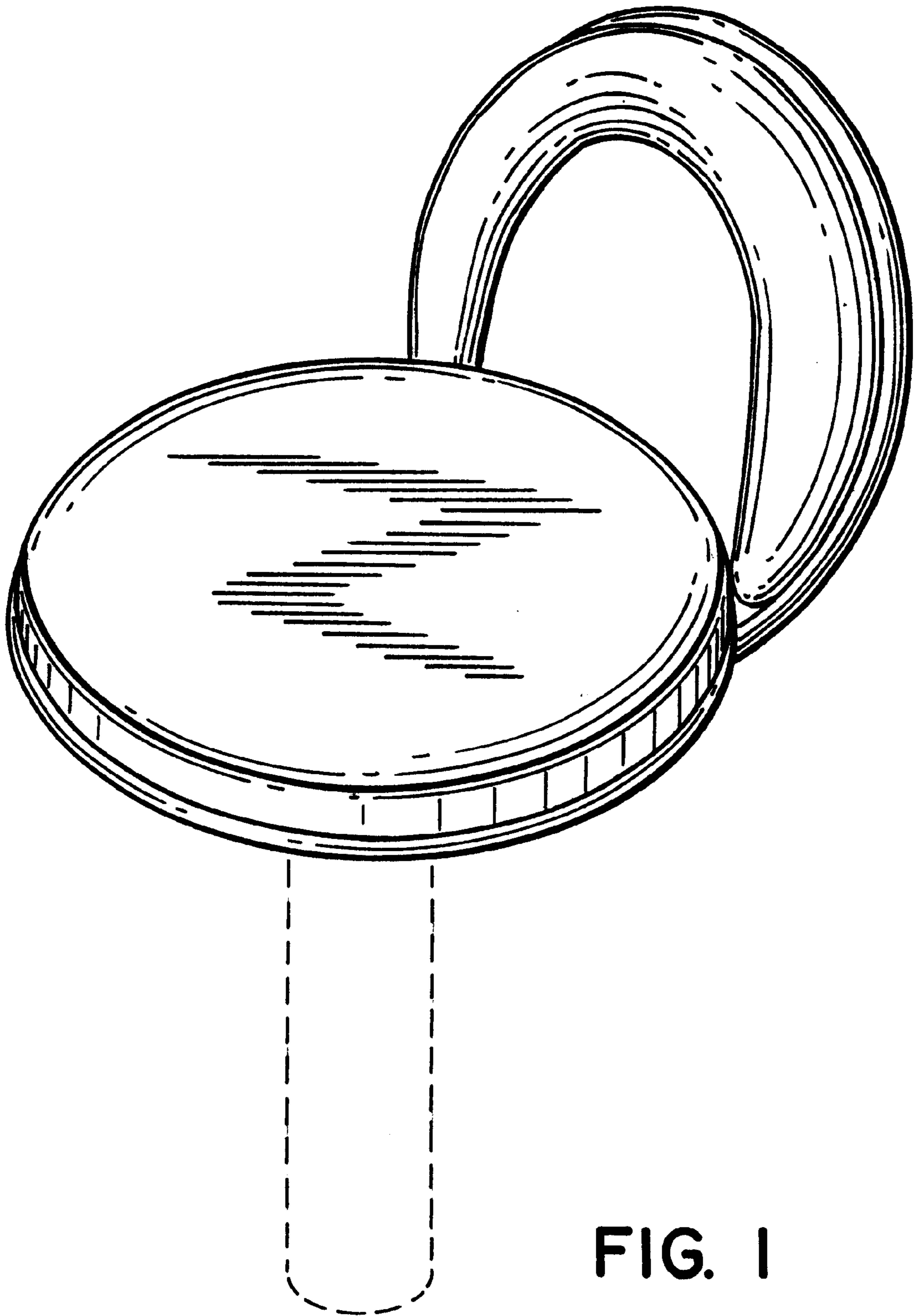


FIG. 1

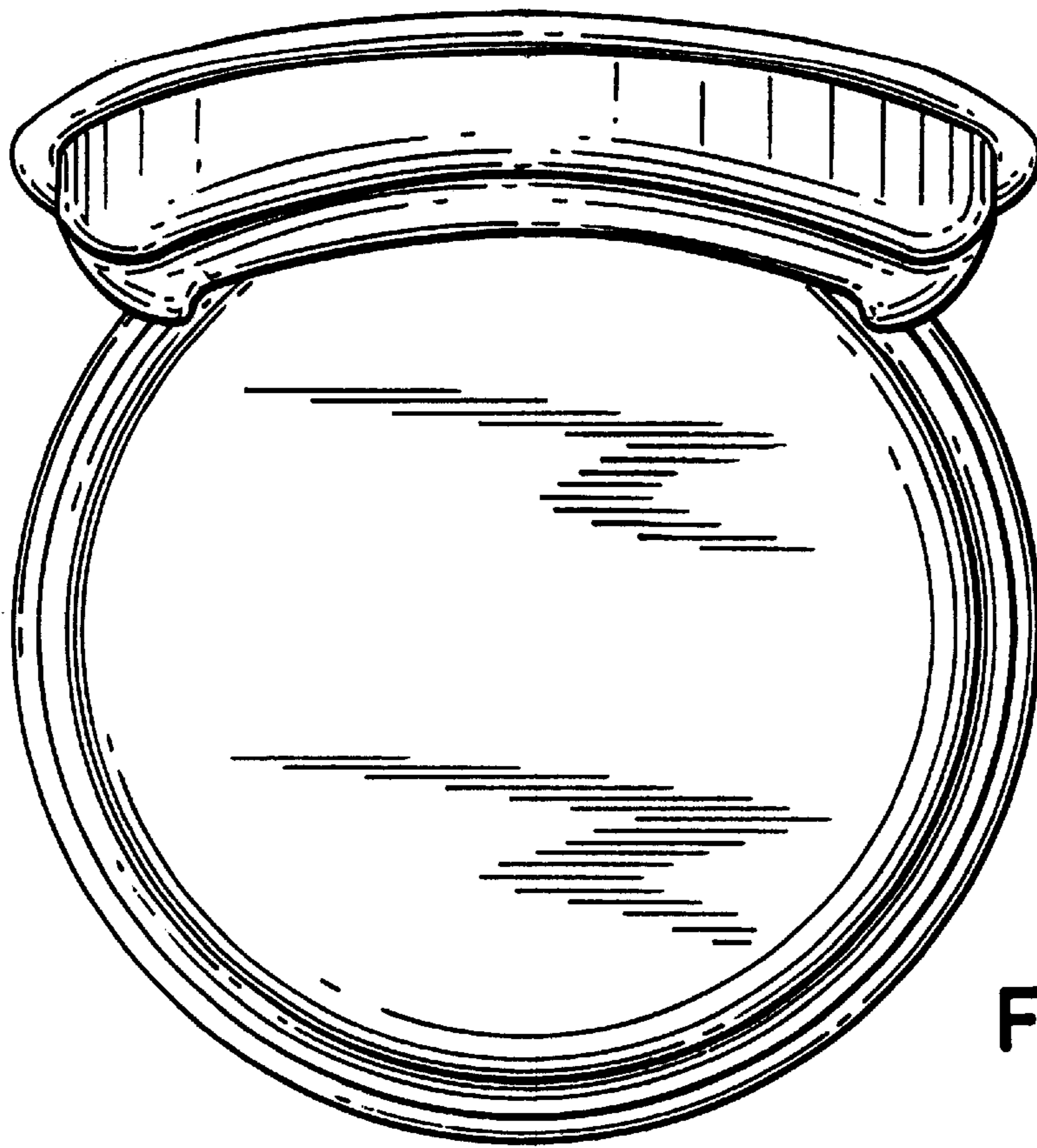


FIG. 2

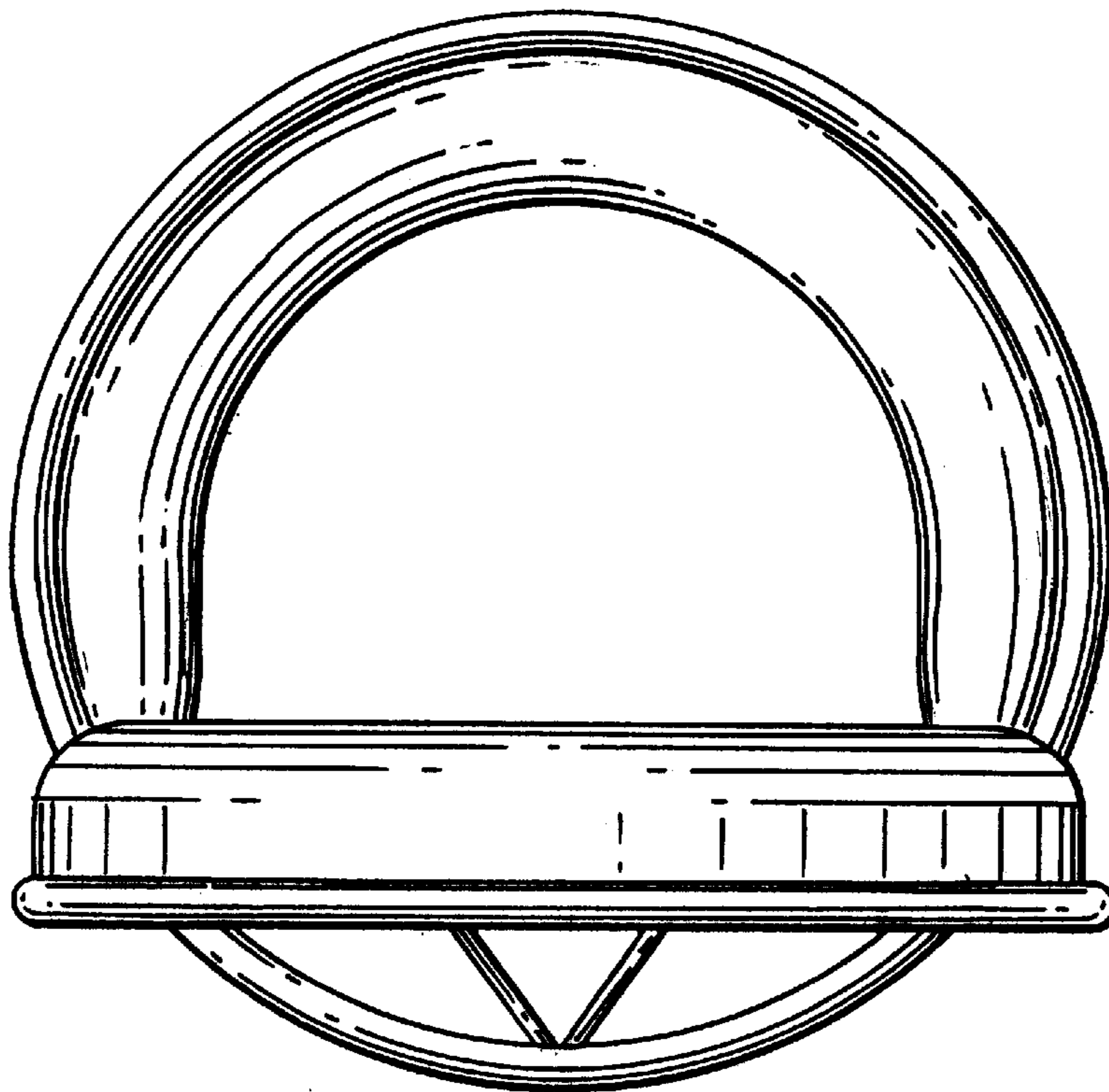


FIG. 3

FIG. 4

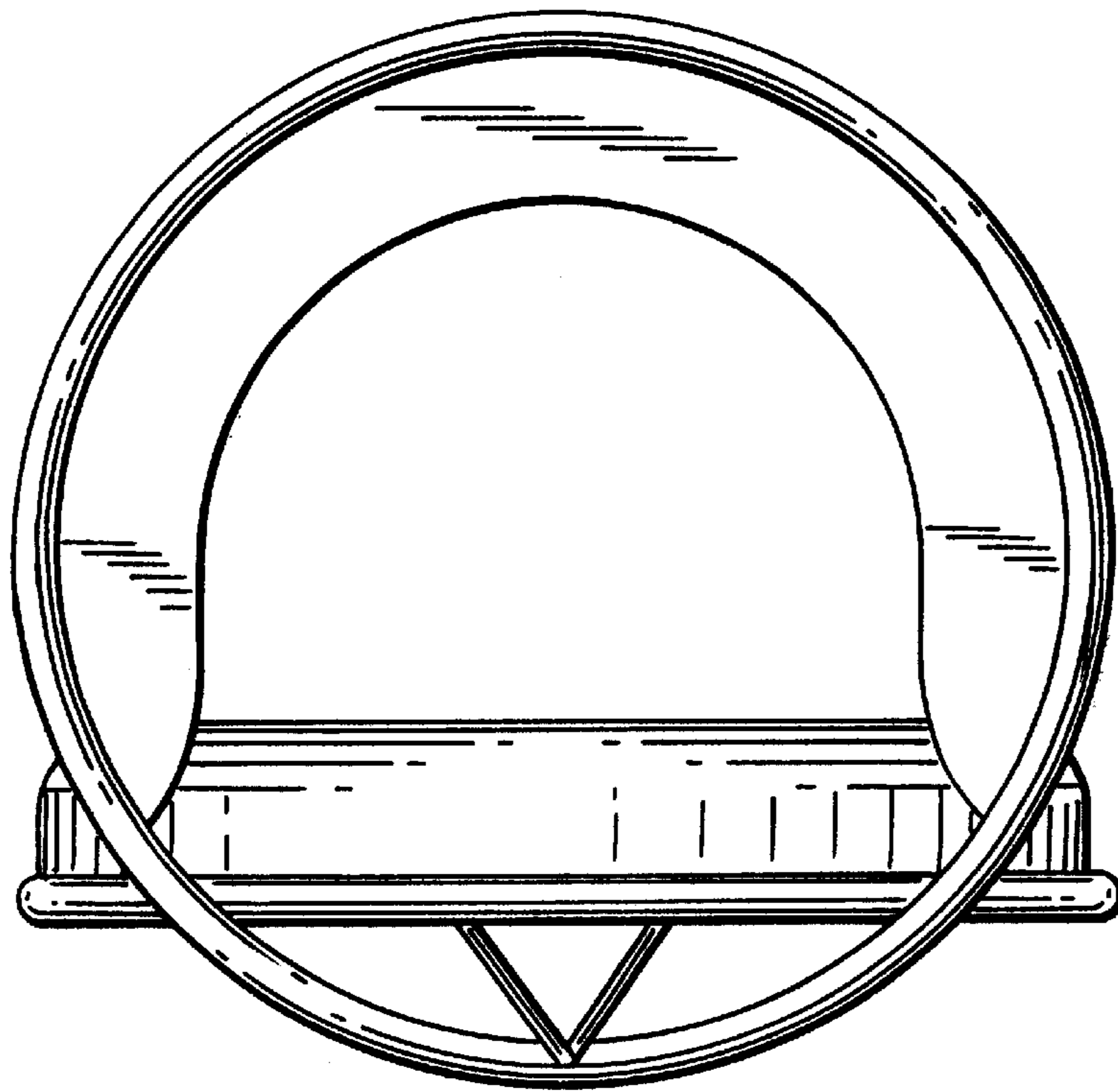
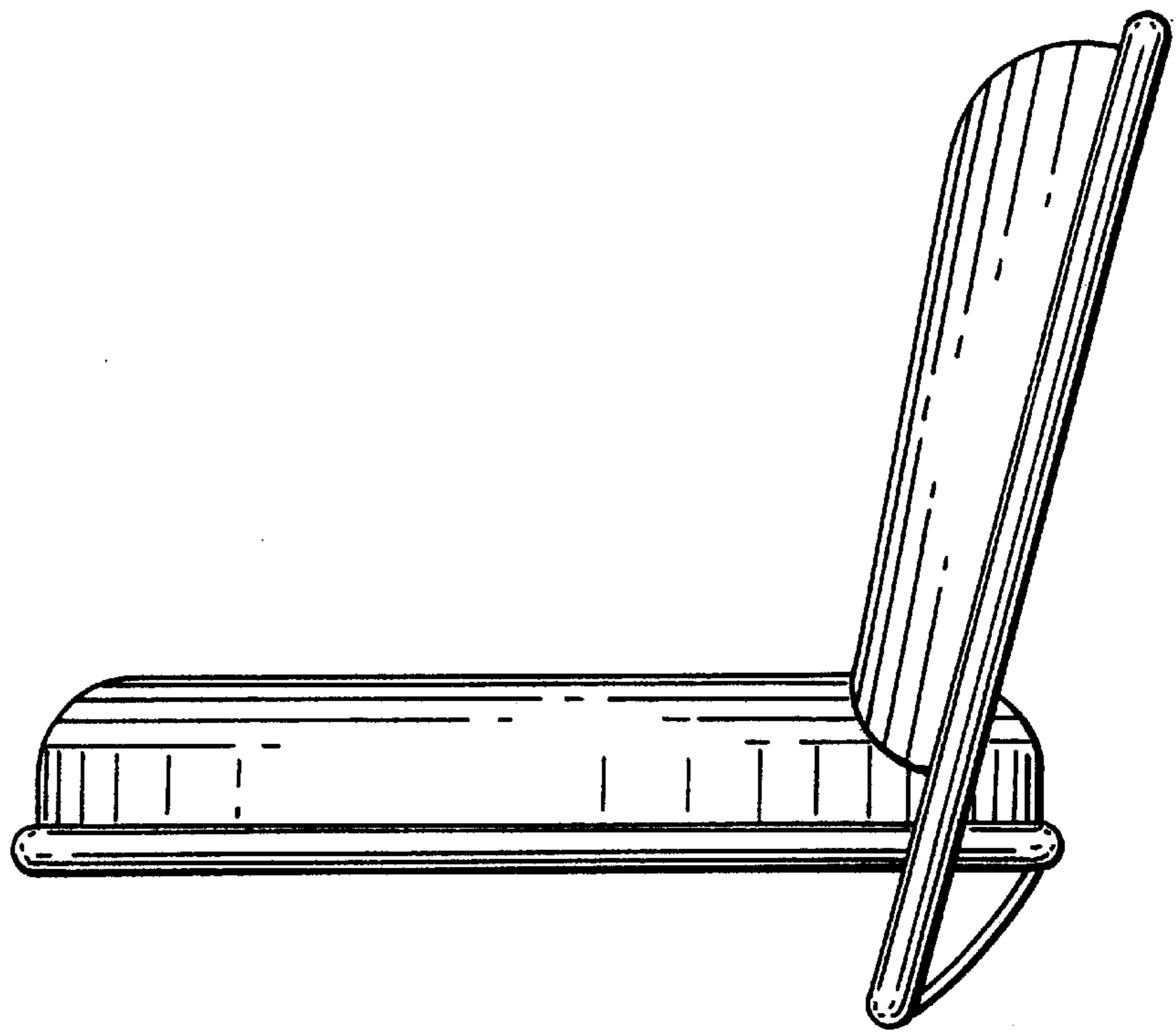


FIG. 5

FIG. 6

