



US00D485448S

(12) **United States Design Patent**
Tseng

(10) **Patent No.:** **US D485,448 S**

(45) **Date of Patent:** **** Jan. 20, 2004**

(54) **LAWN CHAIR**

(75) **Inventor:** **Chuen-Jong Tseng, Chiayi Hsien (TW)**

(73) **Assignee:** **Shin Yeh Enterprise Co., Ltd., Chiayi Hsien (TW)**

(**) **Term:** **14 Years**

(21) **Appl. No.:** **29/178,899**

(22) **Filed:** **Apr. 2, 2003**

(51) **LOC (7) Cl.** **06-01**

(52) **U.S. Cl.** **D6/365**

(58) **Field of Search** D6/334, 344, 358,
D6/364, 365, 366, 367, 368, 369, 370,
374, 376, 379, 380, 500-502; 297/446.1,
452.63, 452.64

(56) **References Cited**

U.S. PATENT DOCUMENTS

D335,038 S	*	4/1993	Tseng	D6/365
D335,039 S	*	4/1993	Tseng	D6/365
D340,361 S	*	10/1993	Tseng	D6/365
D341,266 S	*	11/1993	Caldwell	D6/380

D371,684 S	*	7/1996	Caldwell	D6/376
D426,396 S	*	6/2000	Gaylord et al.	D6/376
D426,975 S	*	6/2000	Gaylord et al.	D6/379
D450,468 S	*	11/2001	Caldwell	D6/376
D465,346 S	*	11/2002	Lin	D6/376

* cited by examiner

Primary Examiner—Robert M. Spear

Assistant Examiner—Mimosa De

(74) *Attorney, Agent, or Firm*—Ladas & Parry

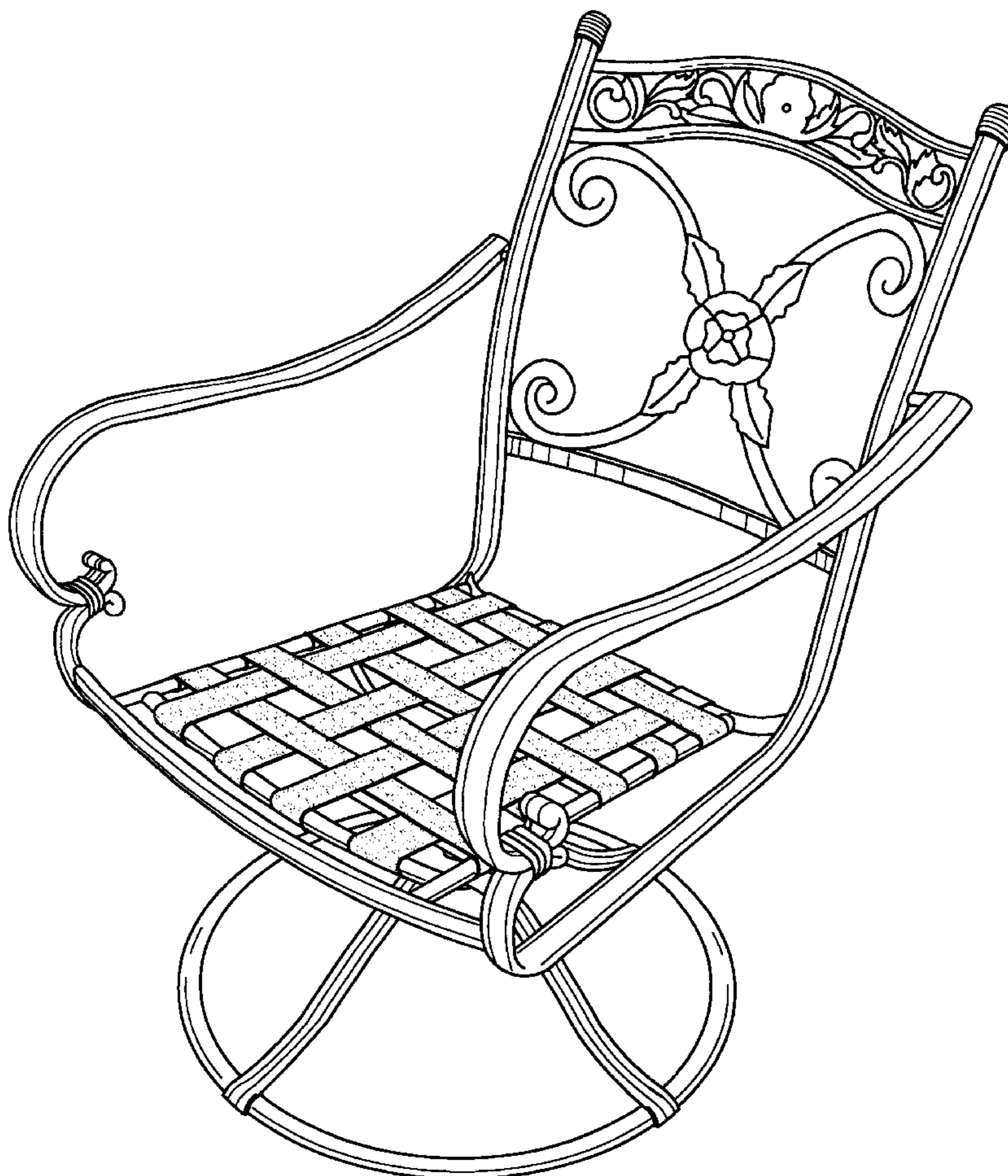
(57) **CLAIM**

The ornamental design for lawn chair, as shown and described.

DESCRIPTION

FIG. 1 is a perspective view of lawn chair showing my new design;
FIG. 2 is a front elevational view thereof;
FIG. 3 is a rear elevational view thereof;
FIG. 4 is a left side elevational view thereof;
FIG. 5 is a right side elevational view thereof;
FIG. 6 is a top plan view thereof; and,
FIG. 7 is a bottom plan view thereof.

1 Claim, 4 Drawing Sheets



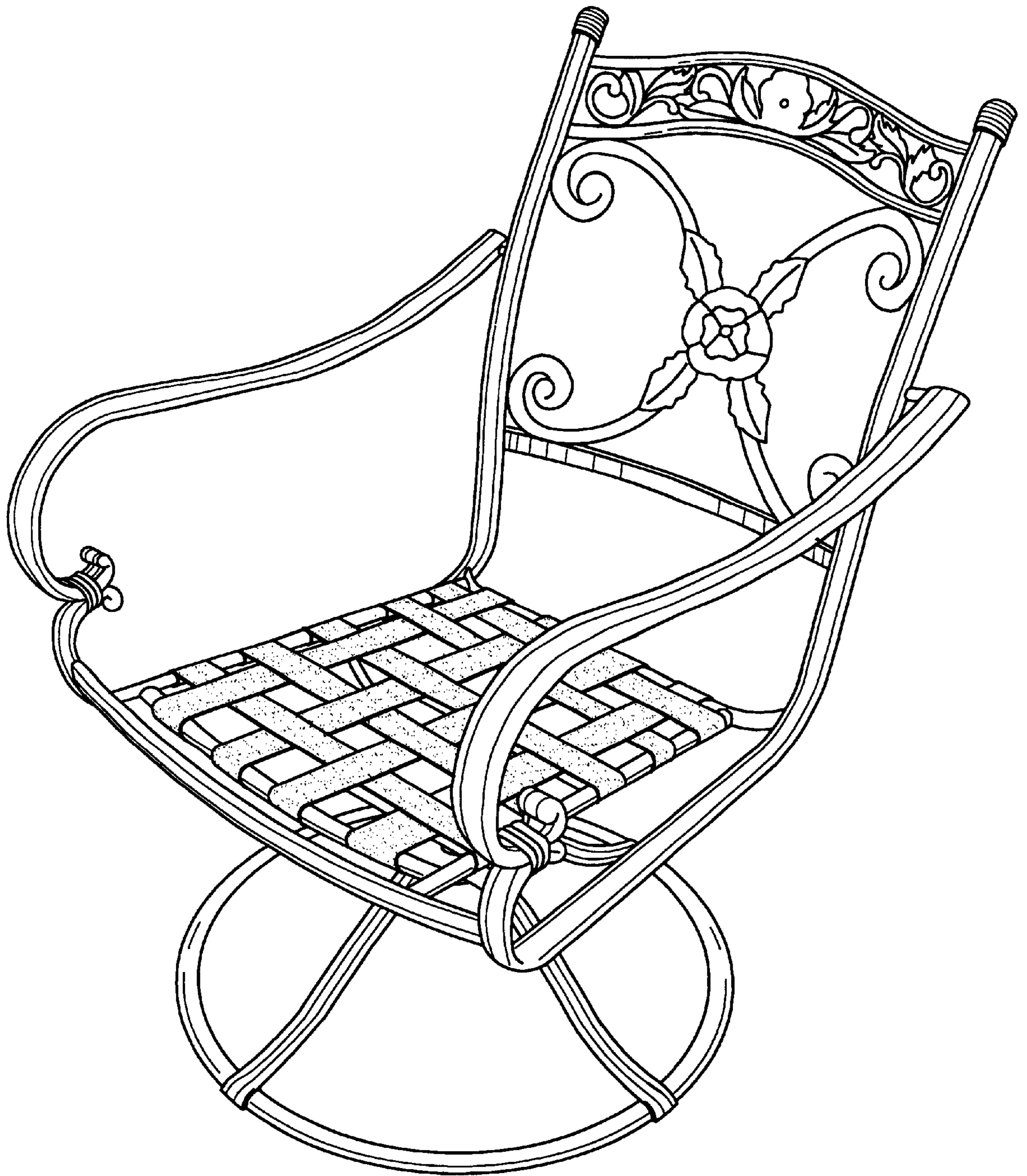


FIG. 1

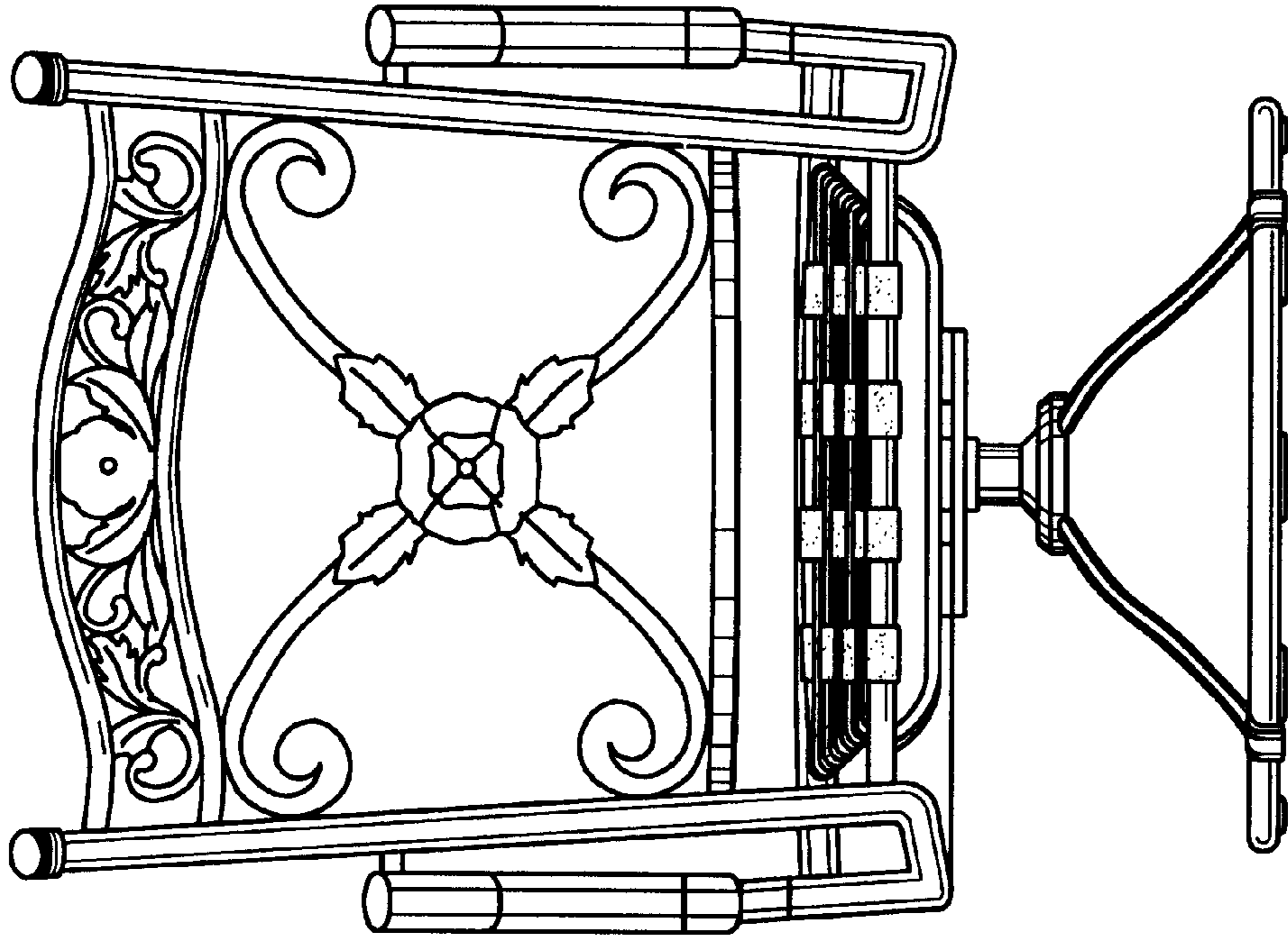


FIG. 3

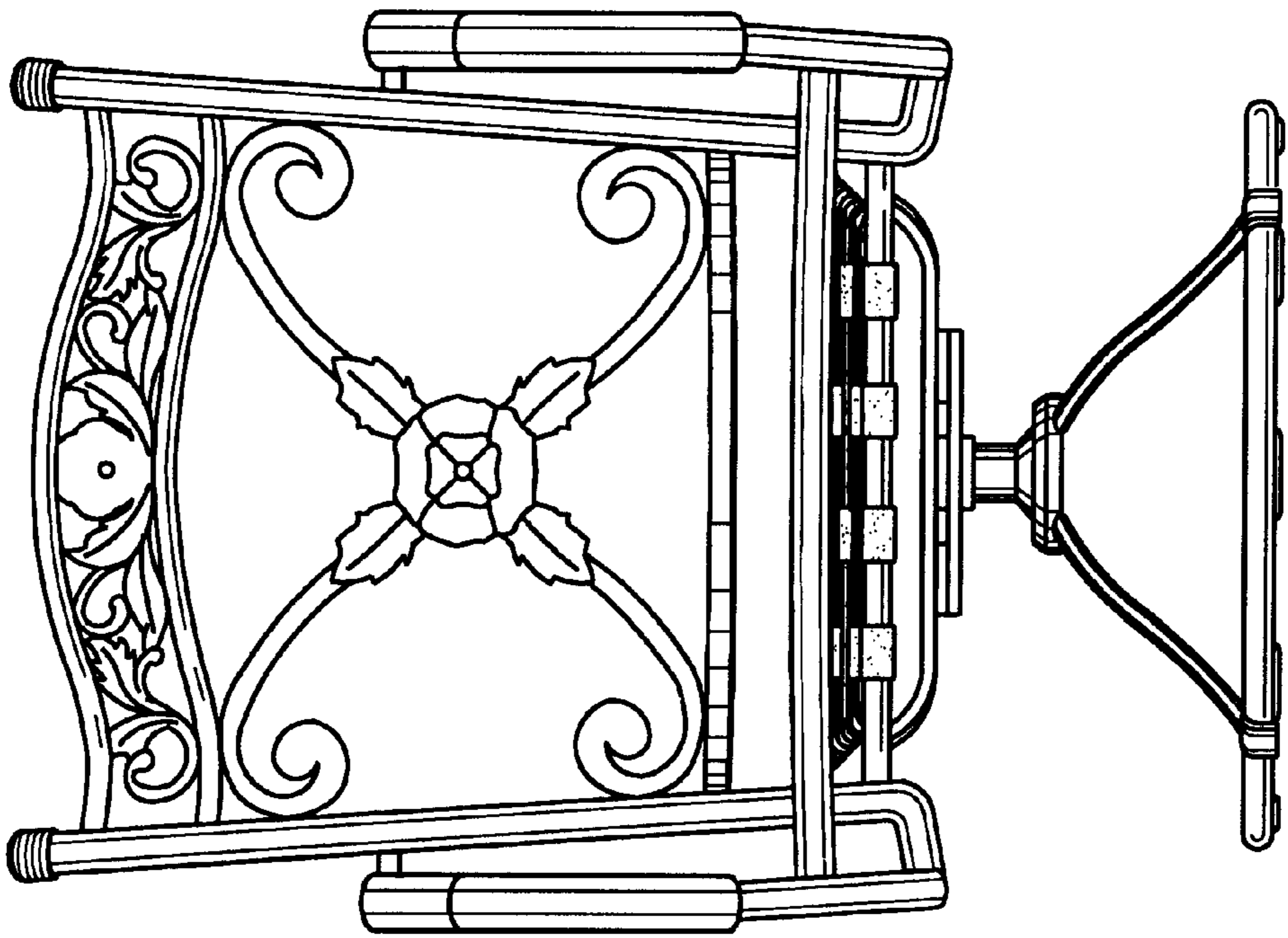


FIG. 2

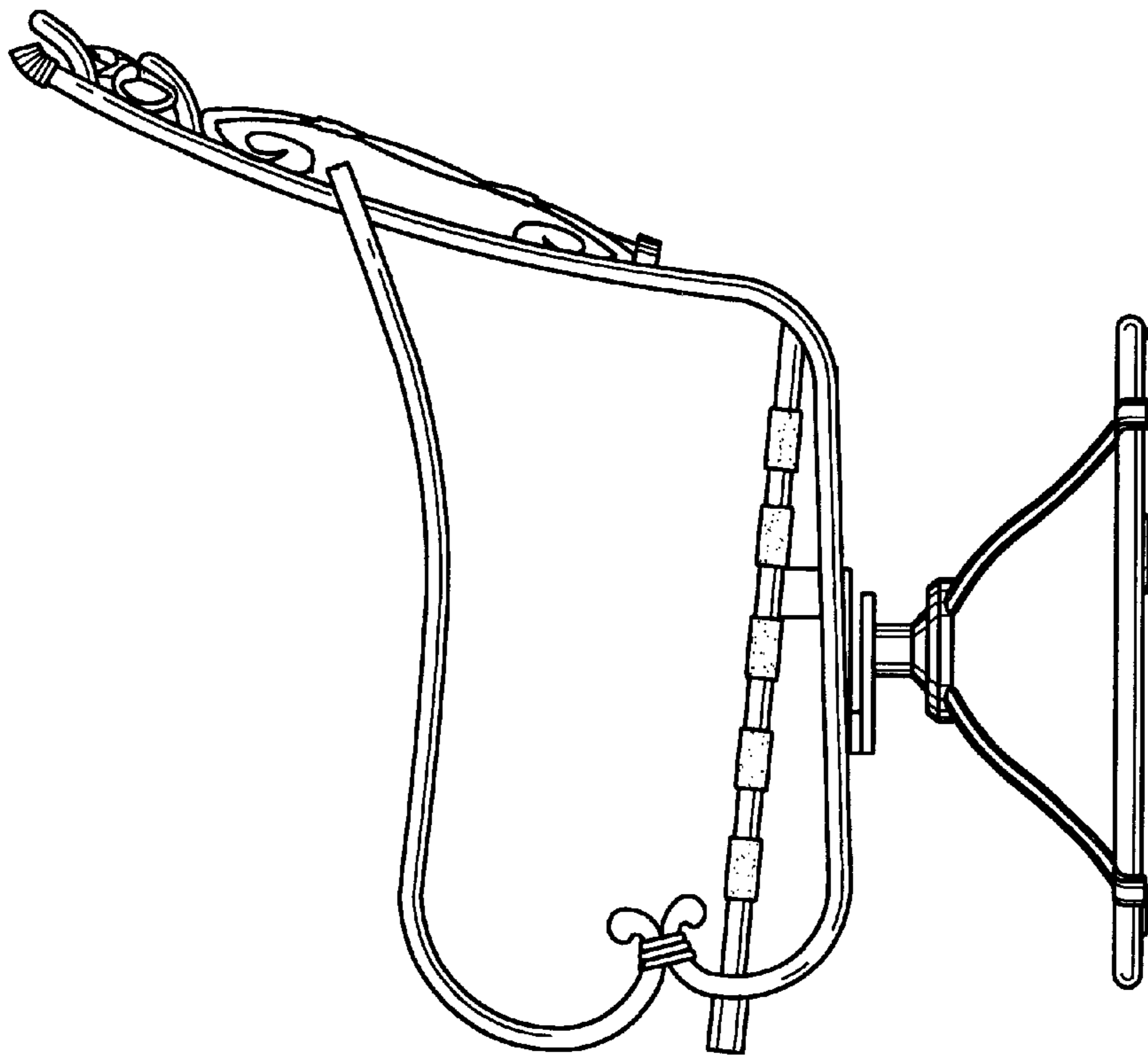


FIG. 5

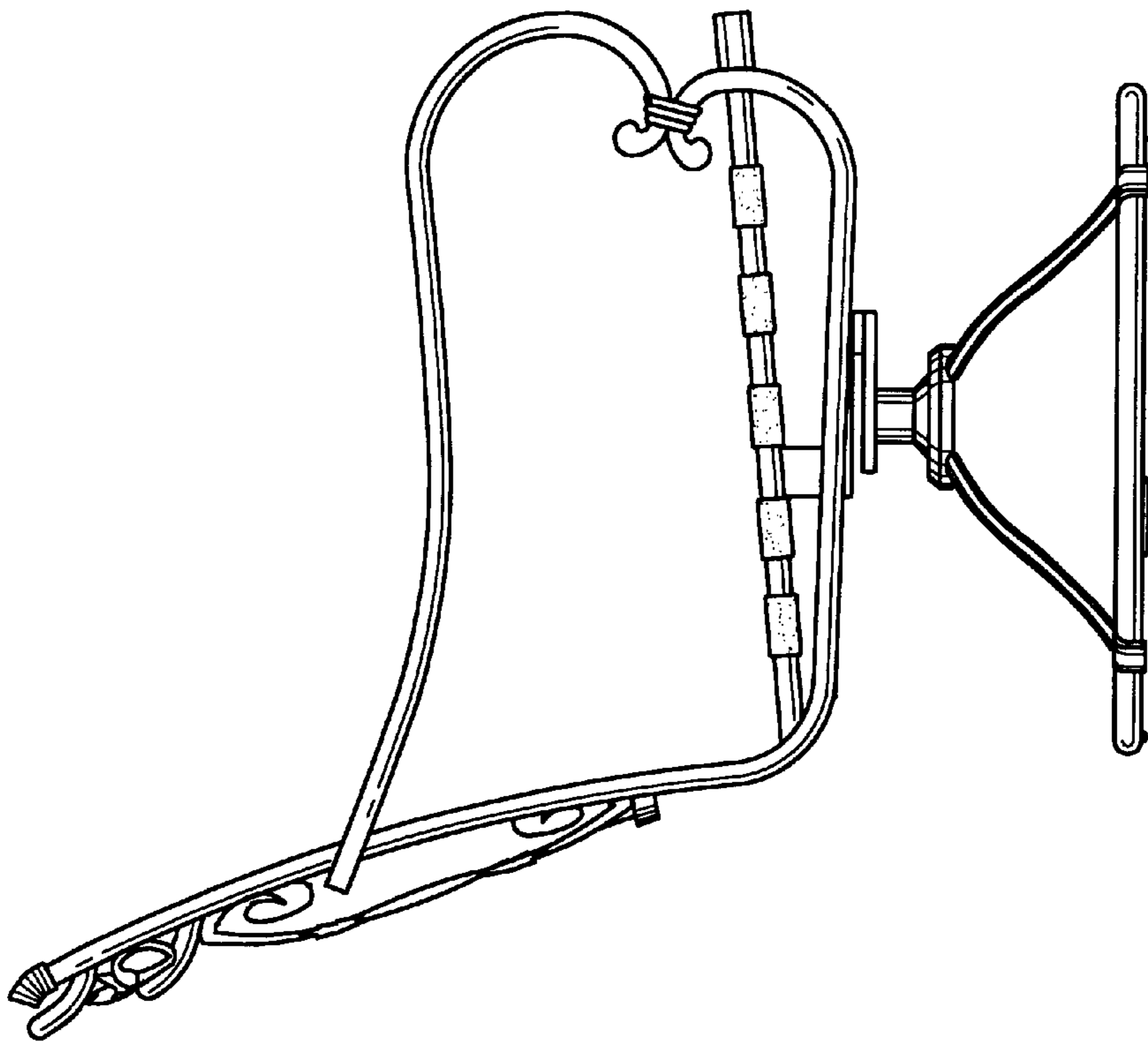


FIG. 4

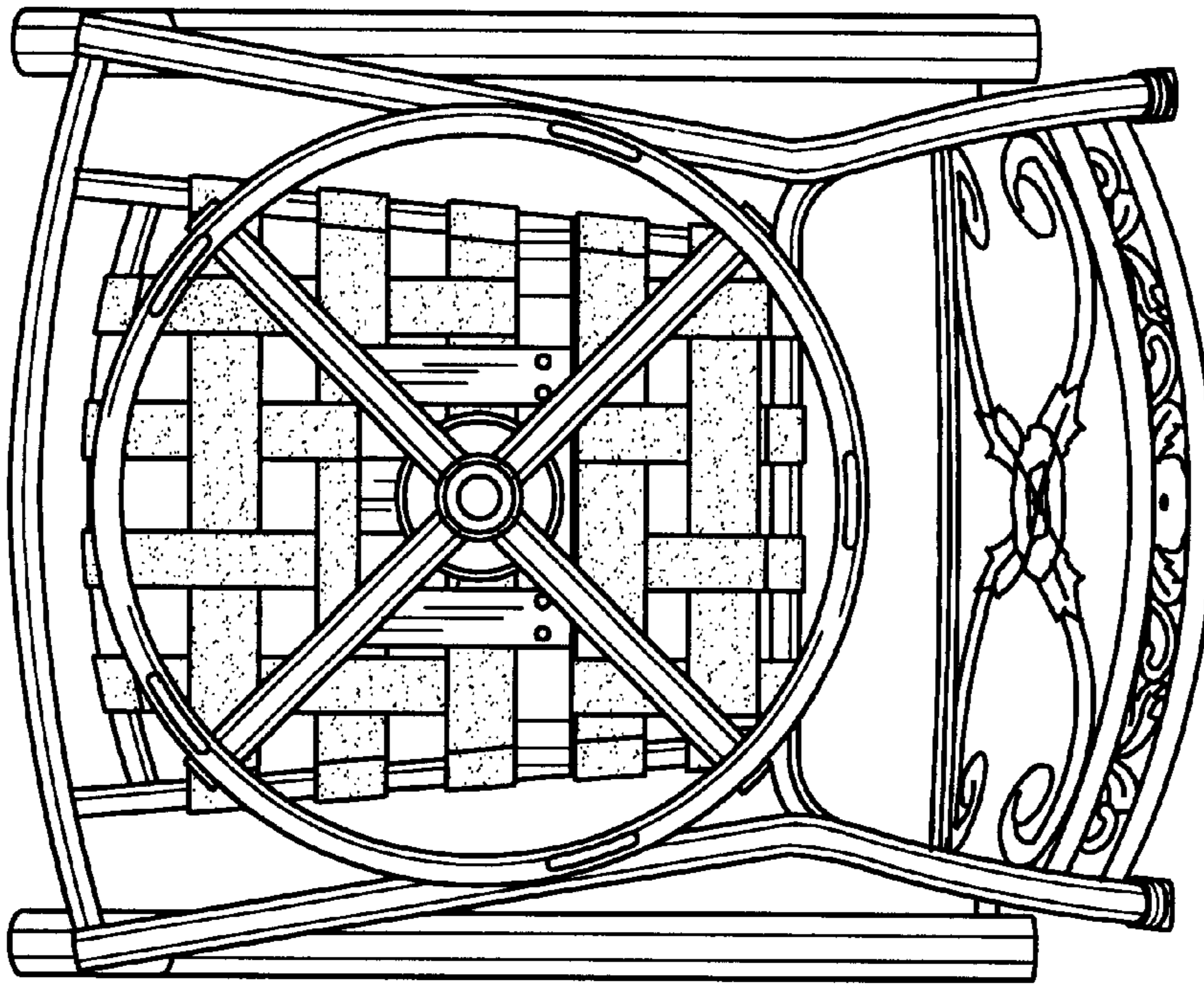


FIG. 7

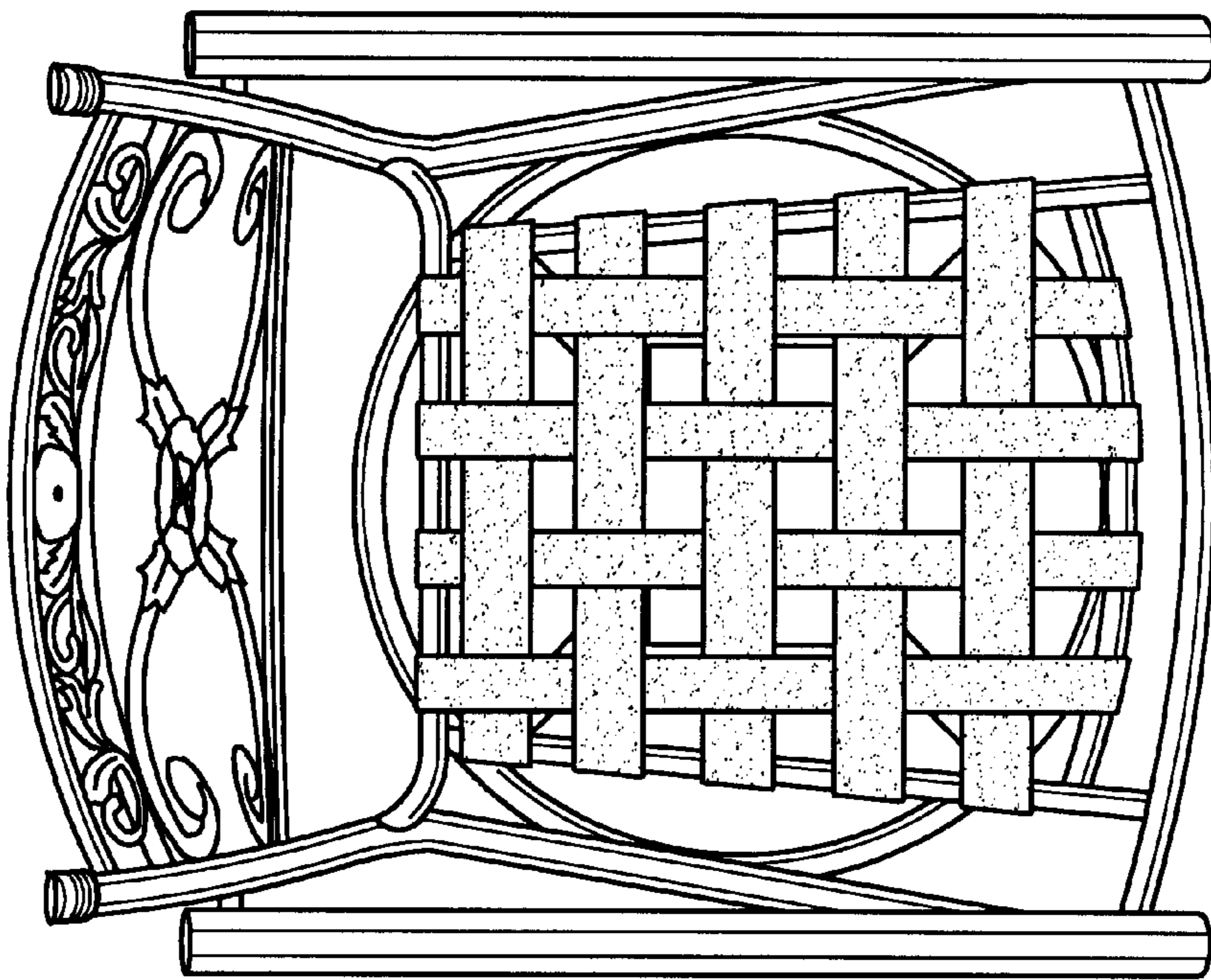


FIG. 6