



US00D485437S

(12) **United States Design Patent**
Lee

(10) **Patent No.:** **US D485,437 S**

(45) **Date of Patent:** **** Jan. 20, 2004**

(54) **TOOL BOX**

D440,043 S * 4/2001 Miller et al. D3/282

(76) Inventor: **Pei-Ling Lee**, 11F-2, No.43, Chai-I Street, Taichung City (TW)

* cited by examiner

(**) Term: **14 Years**

Primary Examiner—Philip S. Hyder
(74) *Attorney, Agent, or Firm*—Charles E. Baxley

(21) Appl. No.: **29/163,454**

(57) **CLAIM**

(22) Filed: **Jul. 8, 2002**

The ornamental design for a tool box, as shown and described.

(51) **LOC (7) Cl.** **03-01**

DESCRIPTION

(52) **U.S. Cl.** **D3/282**

(58) **Field of Search** D3/273, 274, 276, D3/281, 282, 294, 905; 190/100, 109, 111, 110, 112; 206/349, 372, 373

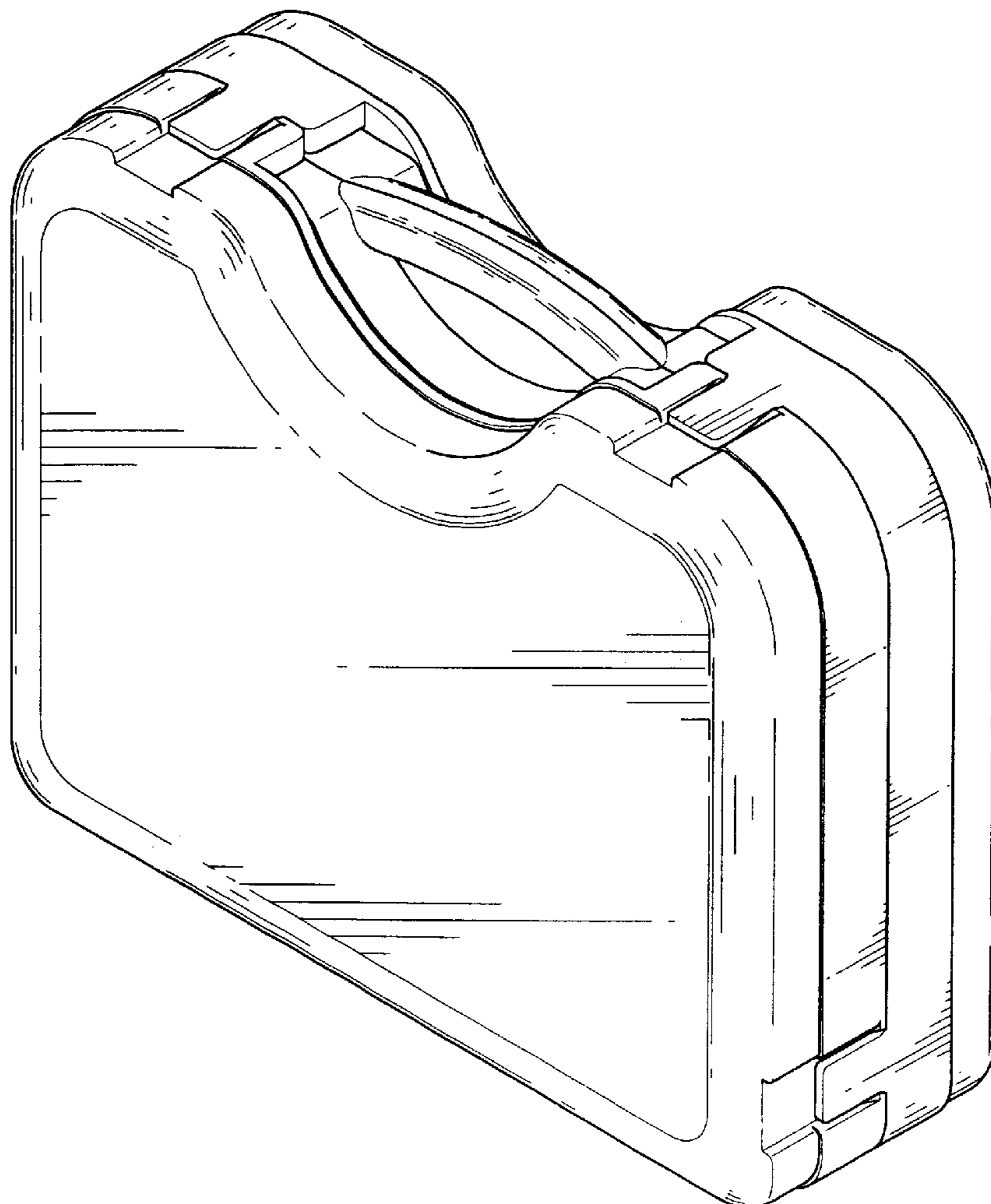
FIG. 1 is a front-right-top perspective view of a tool box, showing my new design;
FIG. 2 is a front-right-top perspective view of the tool box in a fully open configuration;
FIG. 3 is a front elevational view thereof;
FIG. 4 is a rear elevational view thereof;
FIG. 5 is a left elevational view thereof;
FIG. 6 is a right elevational view thereof;
FIG. 7 is a top plan view thereof; and,
FIG. 8 is a bottom plan view thereof.

(56) **References Cited**

U.S. PATENT DOCUMENTS

D194,338 S	*	1/1963	Harty, Jr.	D3/282
5,394,966 A	*	3/1995	Chow	190/119
D406,192 S	*	3/1999	Schurman	D3/282
D412,397 S	*	8/1999	Liu	D3/282
D413,440 S	*	9/1999	Schurman	D3/282

1 Claim, 5 Drawing Sheets



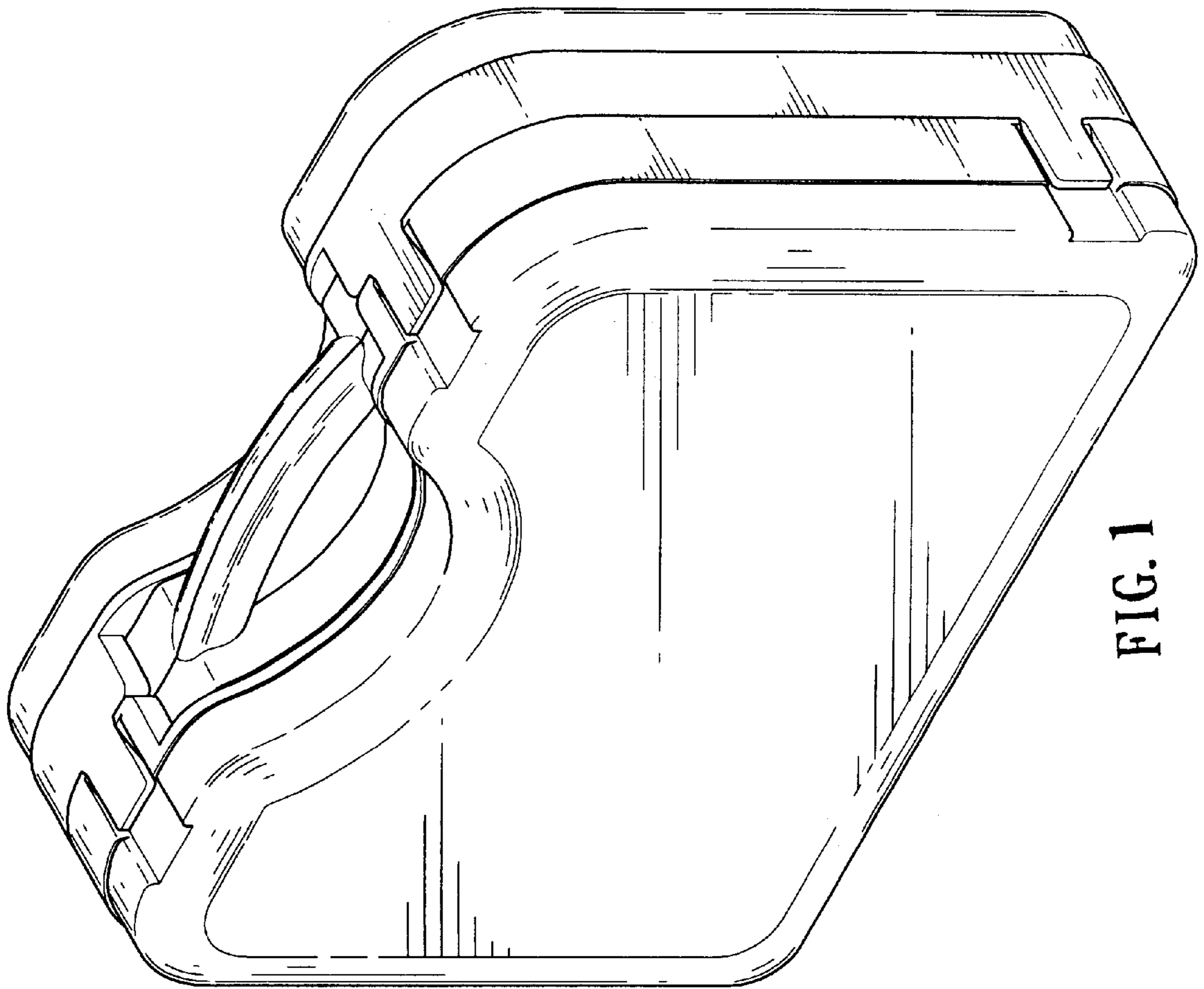


FIG. 1

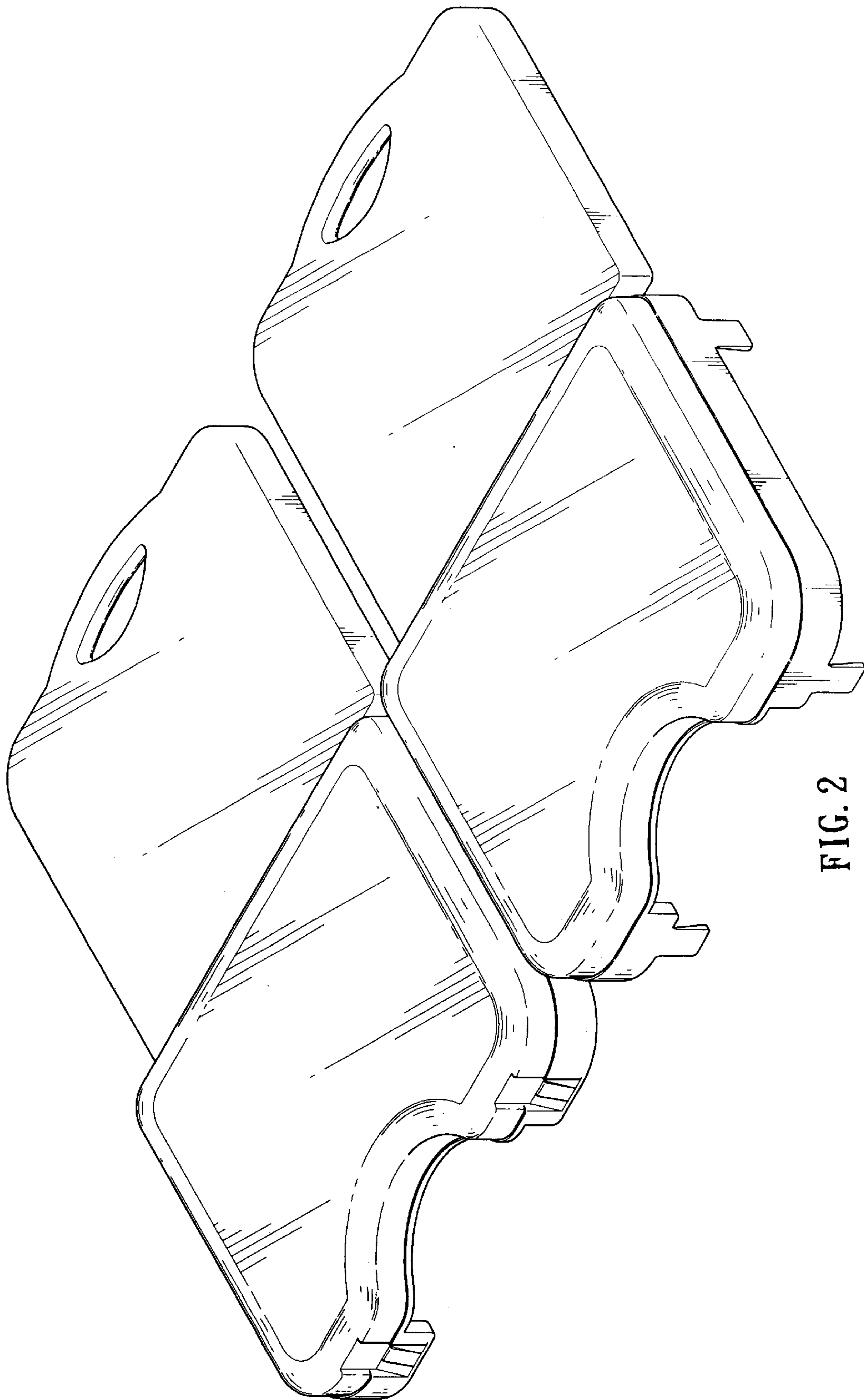


FIG. 2

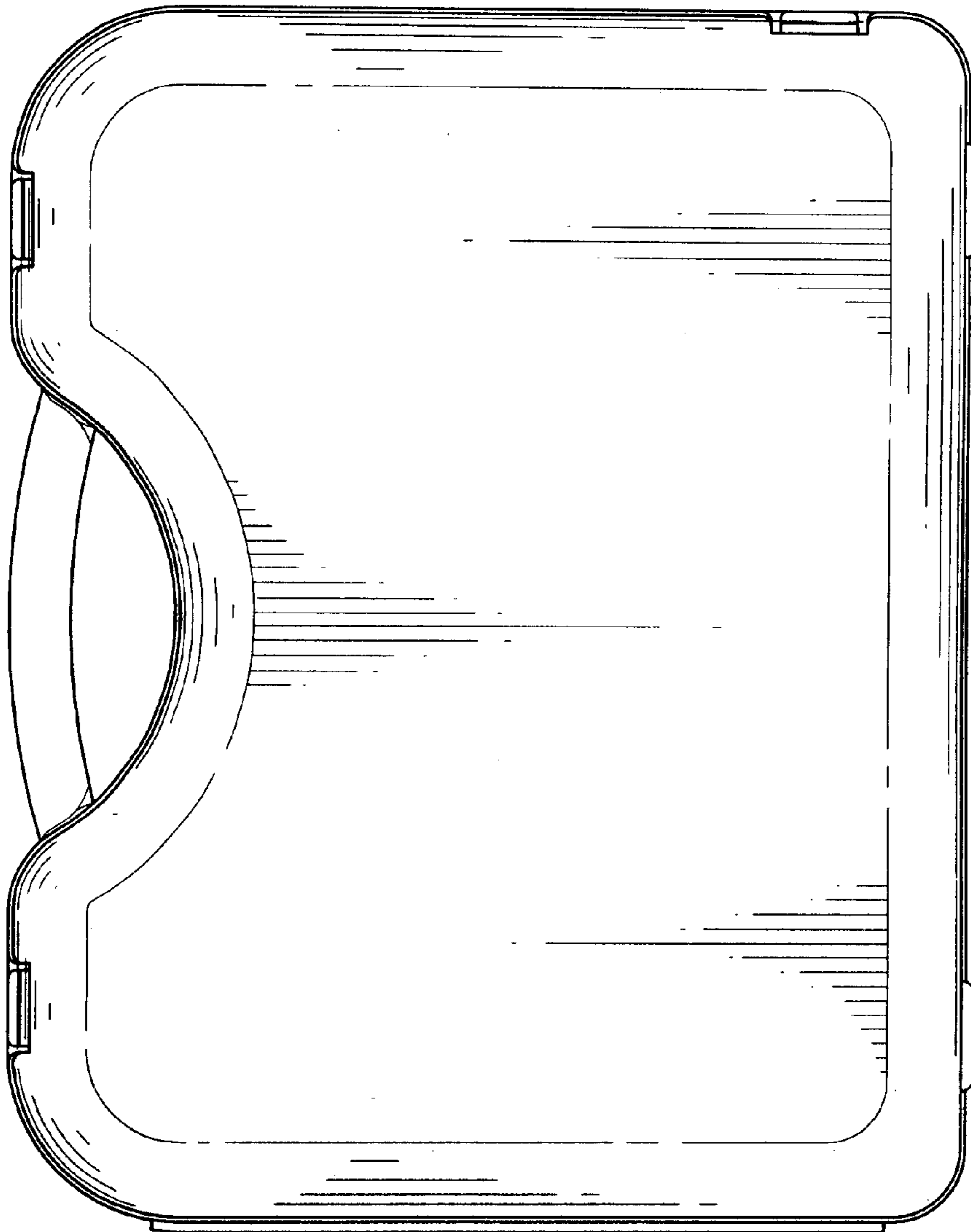


FIG. 3

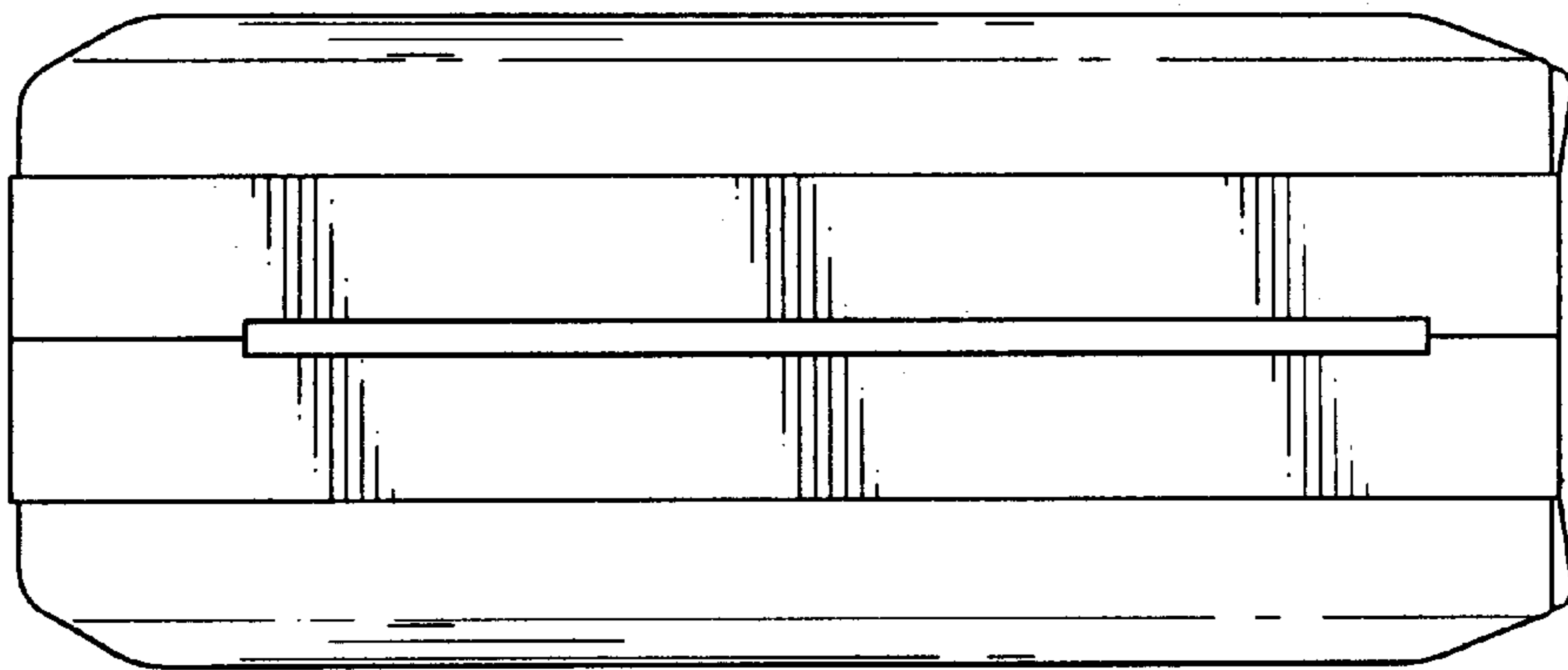


FIG. 5

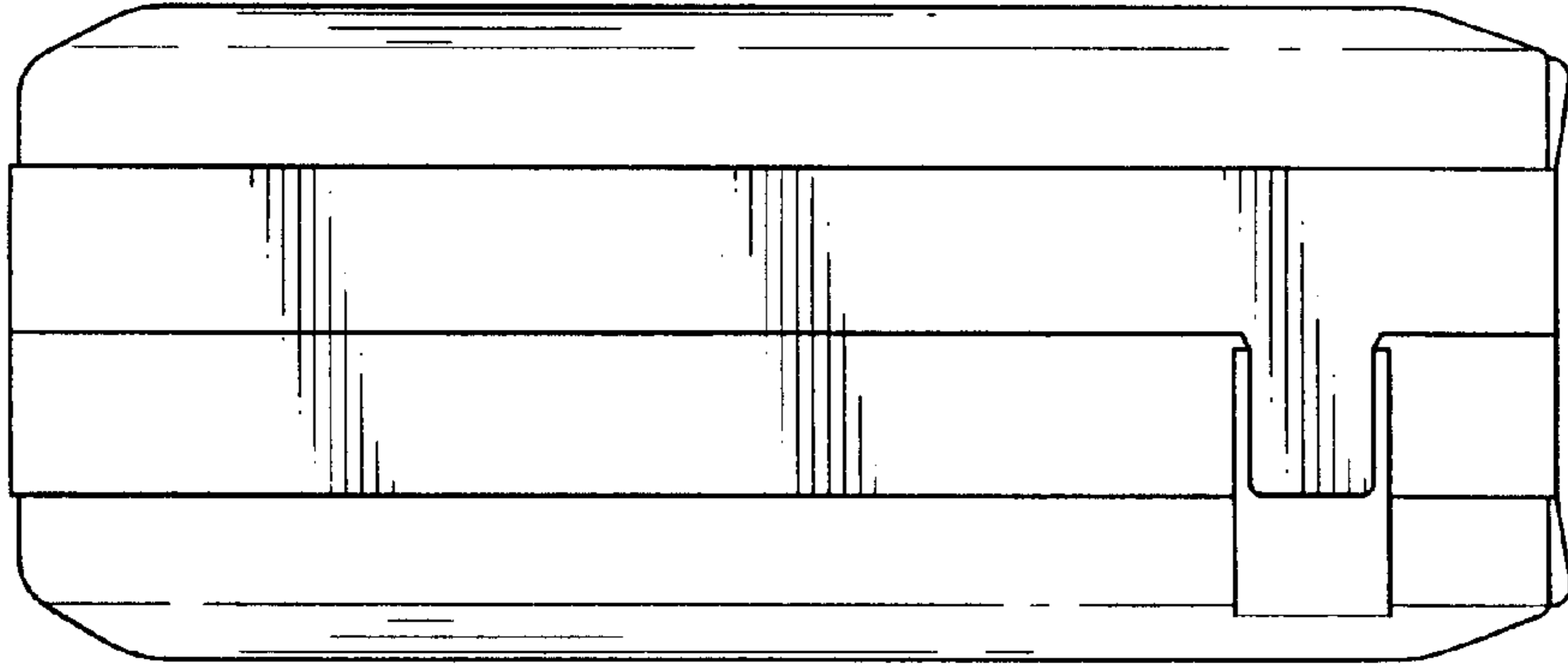


FIG. 6

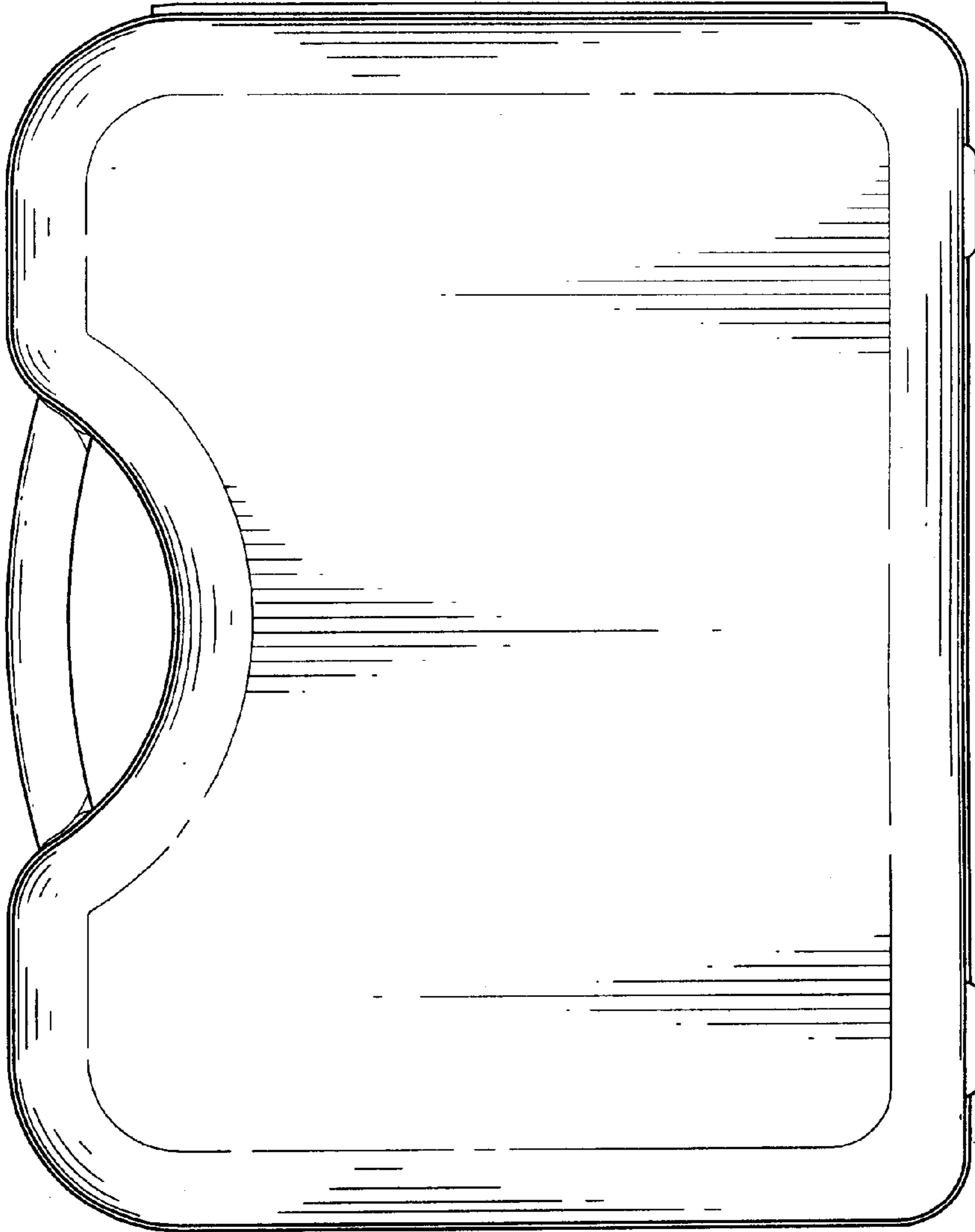


FIG. 4

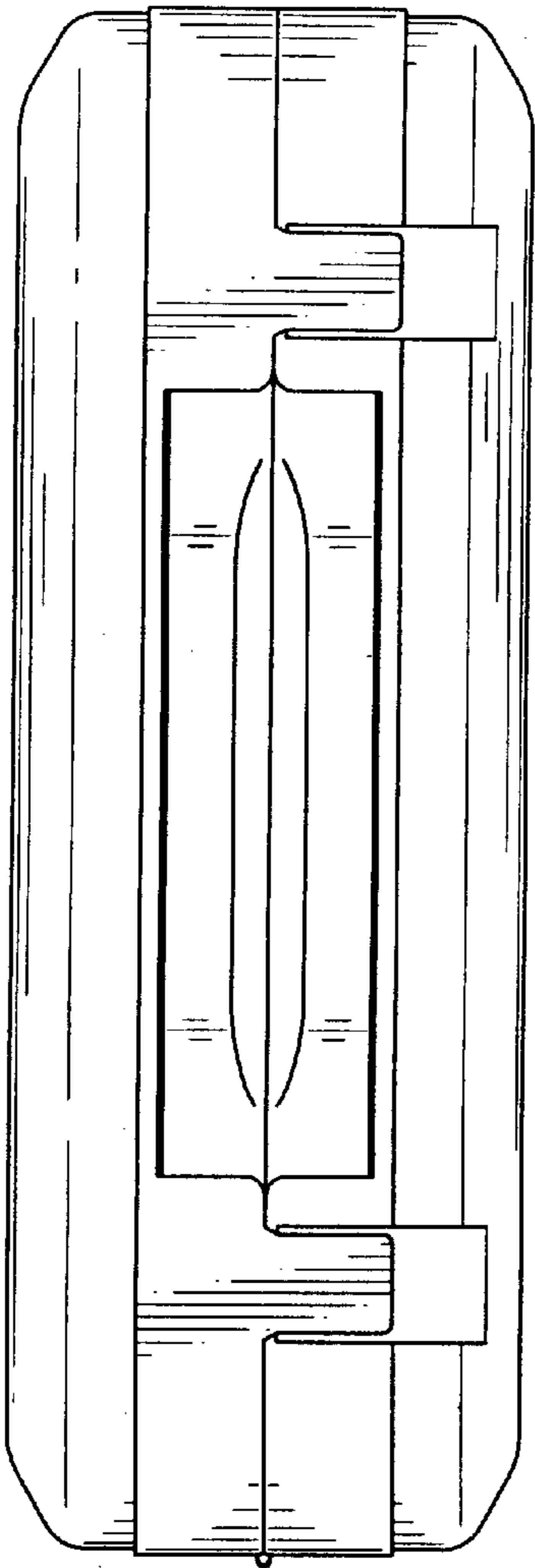


FIG. 8

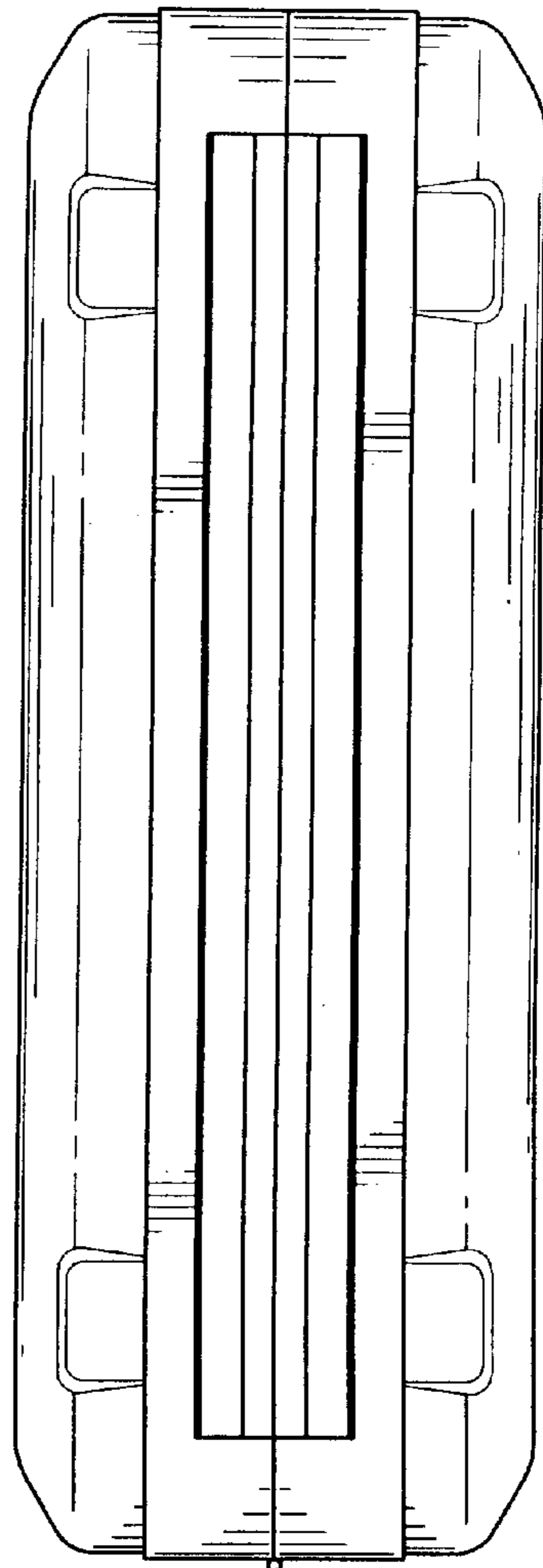


FIG. 7