



US00D485435S

(12) **United States Design Patent**
Coppedge et al.

(10) **Patent No.:** **US D485,435 S**

(45) **Date of Patent:** **** Jan. 20, 2004**

(54) **FOOTWEAR CONTAINER**

(75) **Inventors:** **Johnny Coppedge**, West Linn, OR (US); **Salvatore Cesario**, West Linn, OR (US); **Nicholas Malone**, Rockford, MI (US)

(73) **Assignee:** **See The Shoes LLC**, West Linn, OR (US)

(**) **Term:** **14 Years**

(21) **Appl. No.:** **29/172,861**

(22) **Filed:** **Dec. 18, 2002**

Related U.S. Application Data

(63) Continuation-in-part of application No. PCT/US02/30075, filed on Sep. 23, 2002.

(51) **LOC (7) Cl.** **03-01**

(52) **U.S. Cl.** **D3/273**

(58) **Field of Search** D3/273, 294, 302, D3/269; D9/420, 424; 206/278, 503, 508, 518; 211/34

(56) **References Cited**

U.S. PATENT DOCUMENTS

2,956,677 A	10/1960	Kavaldlo	
3,369,660 A	2/1968	Hartman	
3,407,961 A	10/1968	Box	
3,414,093 A	12/1968	Chostner	
4,083,483 A *	4/1978	Bayless	294/143
4,244,508 A	1/1981	Schulman	
4,795,029 A	1/1989	Campbell et al.	206/278
4,819,795 A	4/1989	Swaney	206/278
D344,890 S	3/1994	Townes	D9/418
5,293,993 A	3/1994	Yates, Jr. et al.	206/365

5,509,170 A *	4/1996	LoFaro et al.	15/265
D395,752 S *	7/1998	Foster	D3/289
5,954,203 A	9/1999	Marconi	206/464
6,213,298 B1	4/2001	Nguyen	206/459.1
6,305,533 B1	10/2001	Welty et al.	206/278
6,321,911 B1	11/2001	Raimer et al.	206/509
D453,994 S *	3/2002	Meissner	D3/273
6,484,889 B1 *	11/2002	Cagner	211/34

* cited by examiner

Primary Examiner—Philip S. Hyder

(74) *Attorney, Agent, or Firm*—ipsolon llp

(57) **CLAIM**

The ornamental design for a footwear container, as shown and described.

DESCRIPTION

FIG. 1 is a top perspective view of a footwear container showing our claimed design in which the container is shown in a closed position;

FIG. 2 is a top plan view of the container illustrated in FIG. 1;

FIG. 3 is a bottom plan view of the container illustrated in FIG. 1;

FIG. 4 is a rear elevational view of the container illustrated in FIG. 1;

FIG. 5 is a front elevational view of the container illustrated in FIG. 1;

FIG. 6 is a left side elevational view of the container illustrated in FIG. 1; and,

FIG. 7 is a right side elevational view of the container illustrated in FIG. 1.

The broken lines shown in the Figures are for illustrative purposes only and form no part of our claimed design.

1 Claim, 4 Drawing Sheets

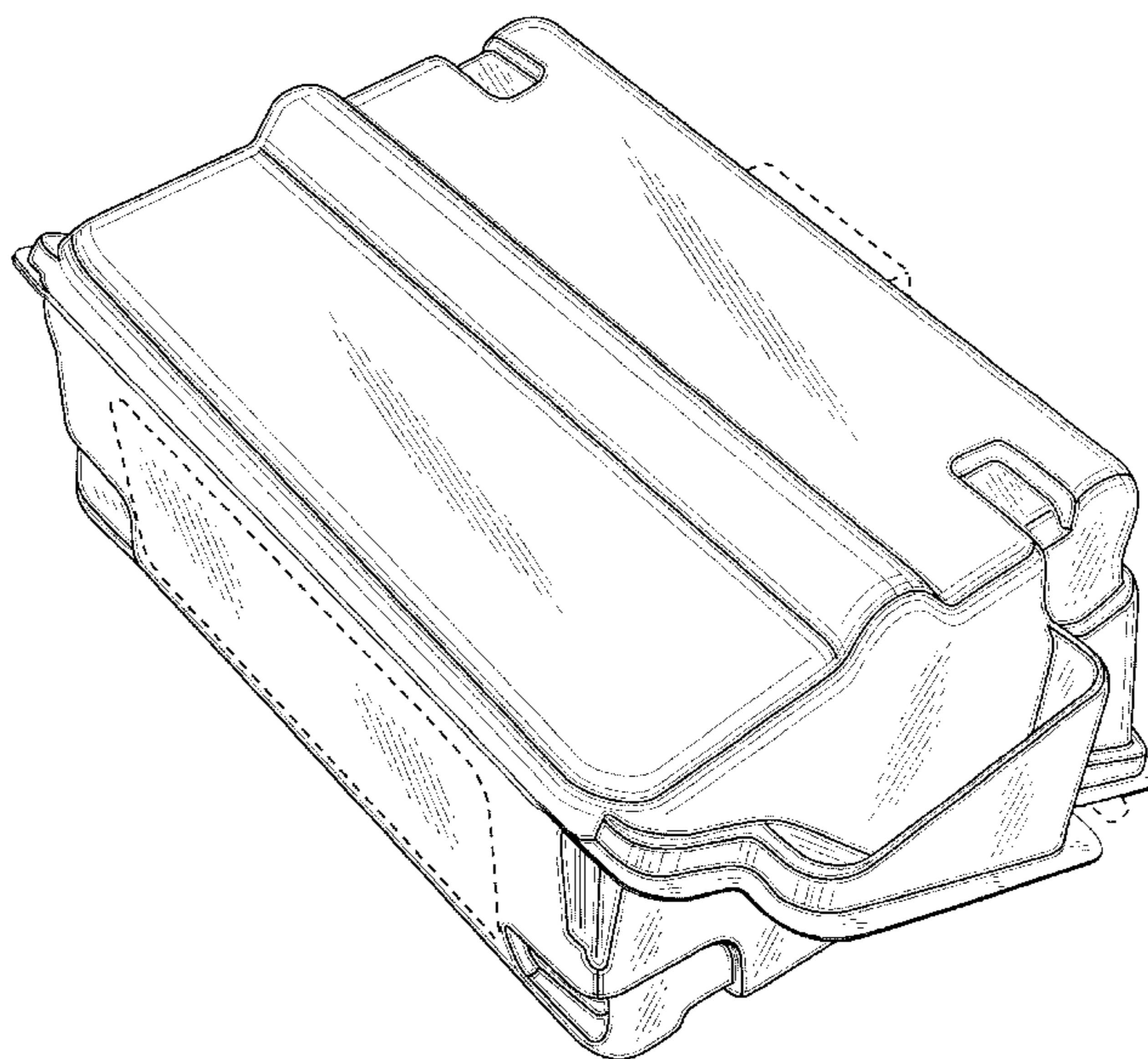


FIG. 1

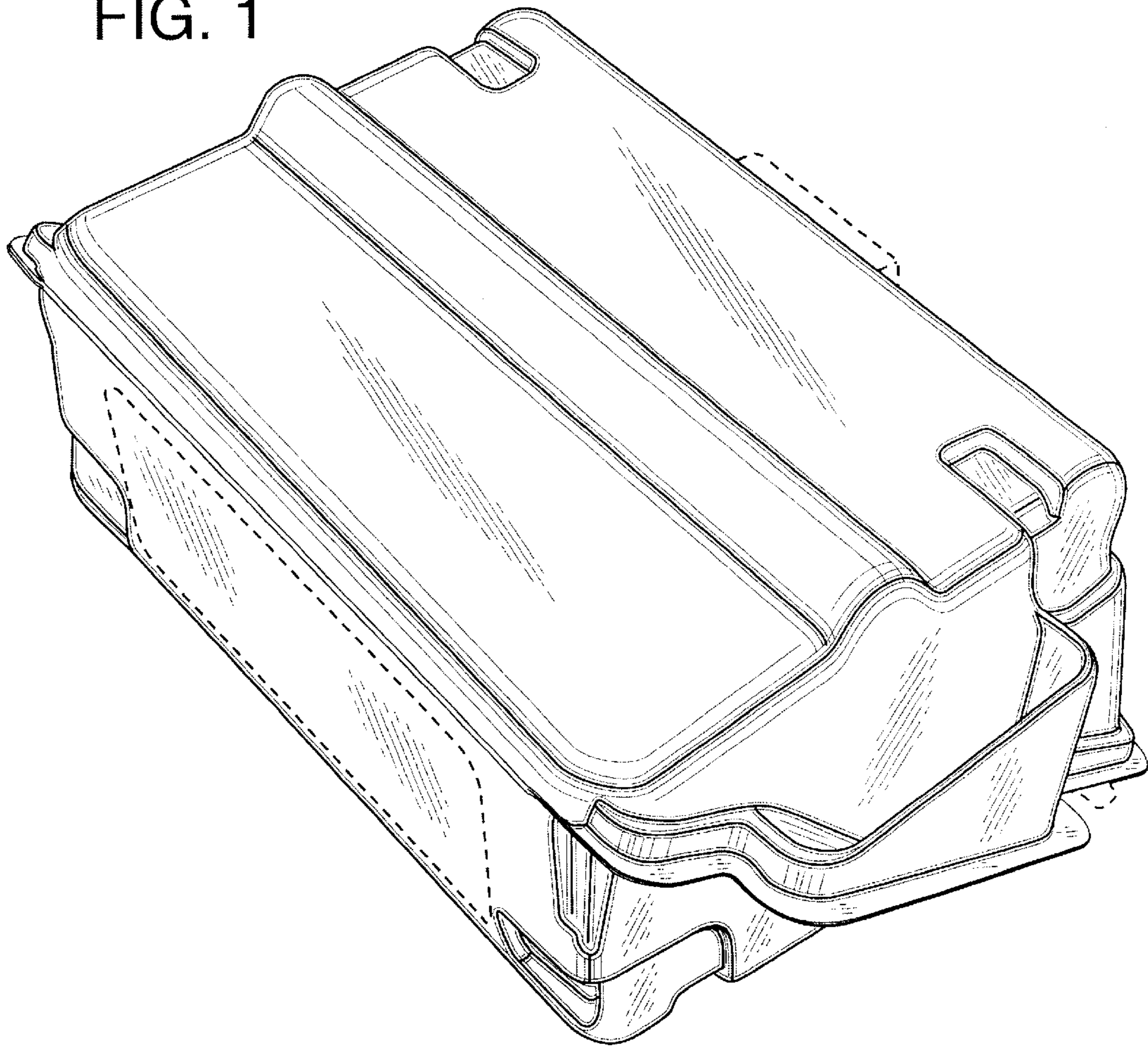


FIG. 2

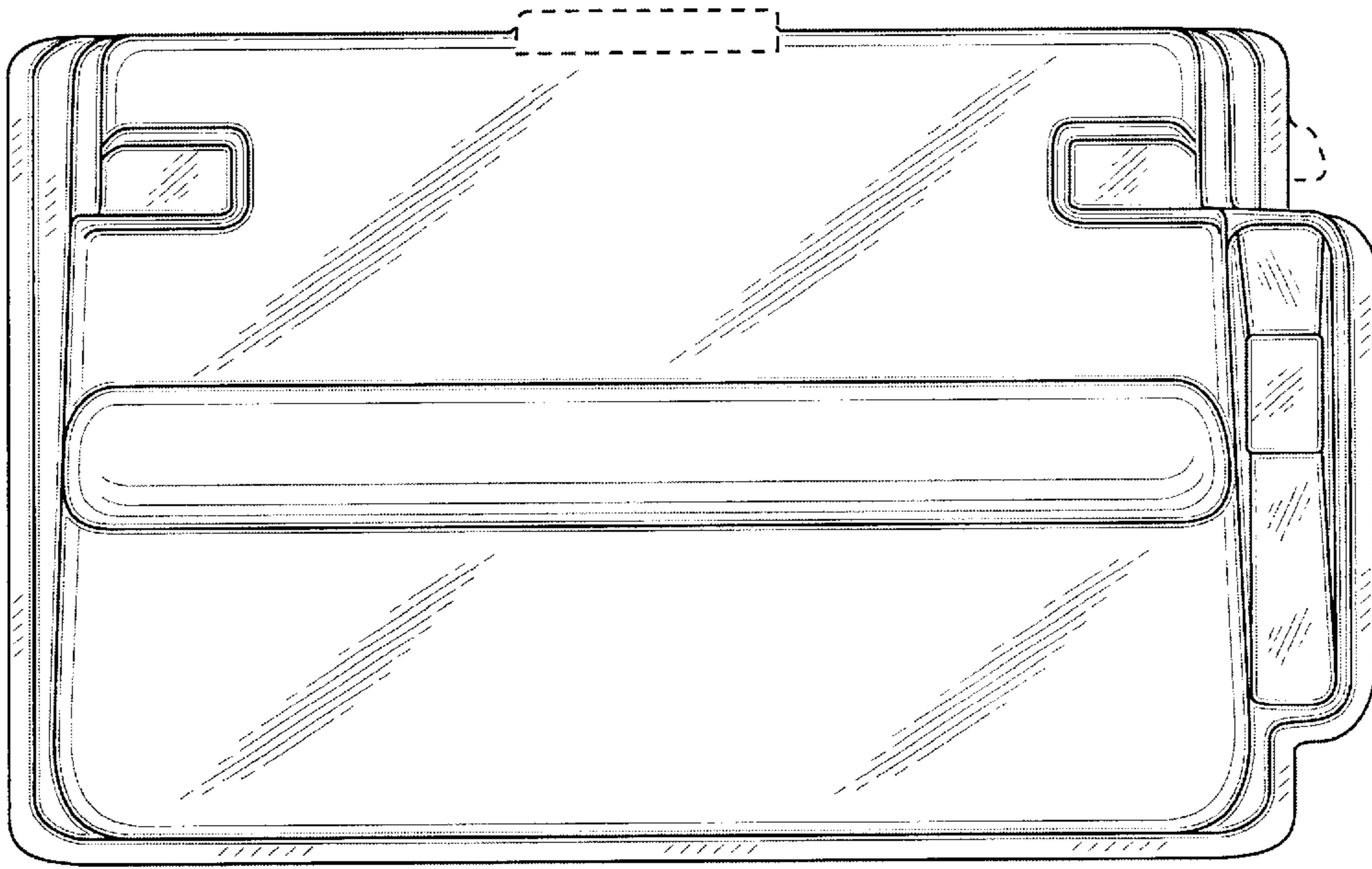


FIG. 3

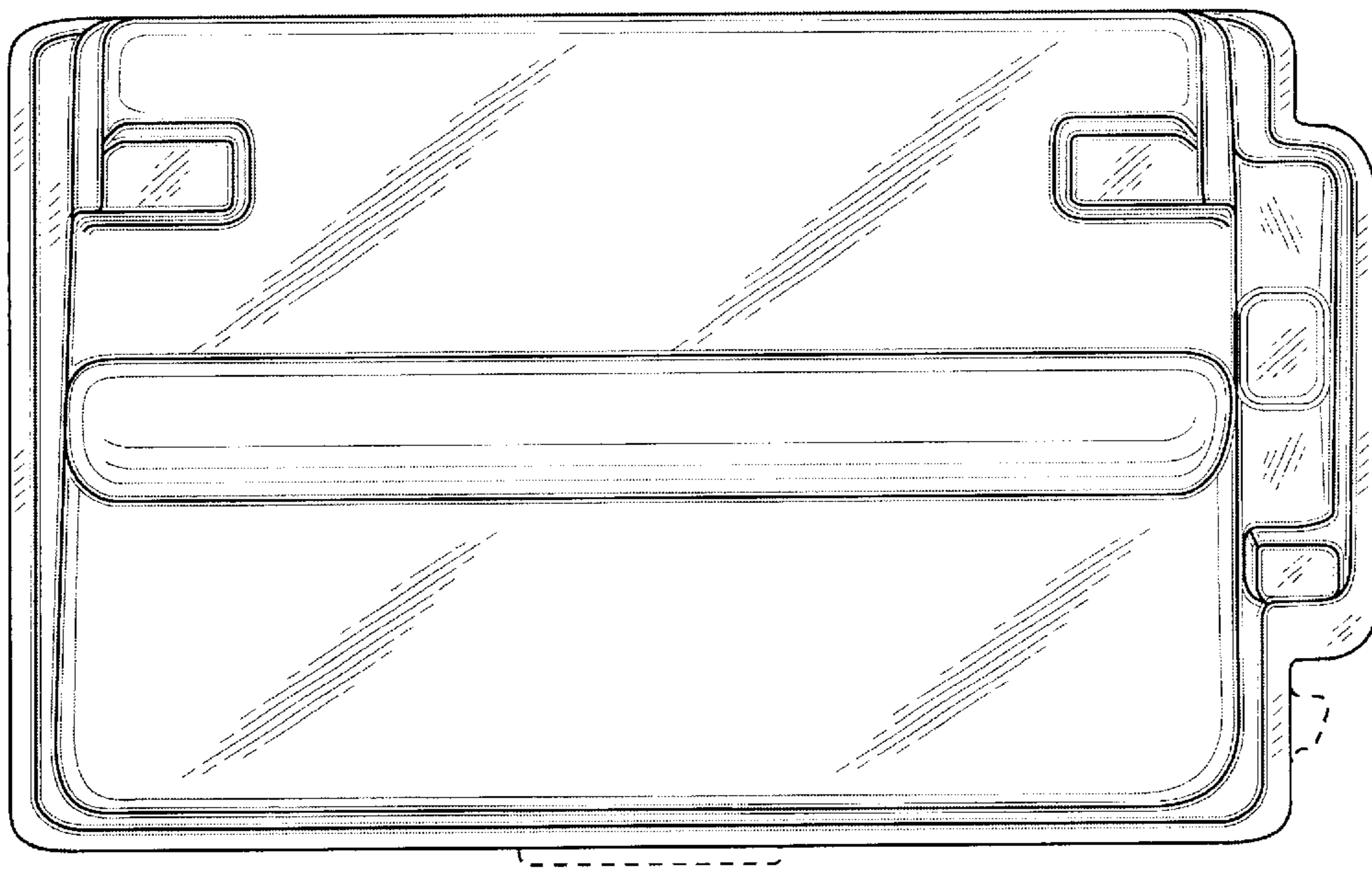


FIG. 4

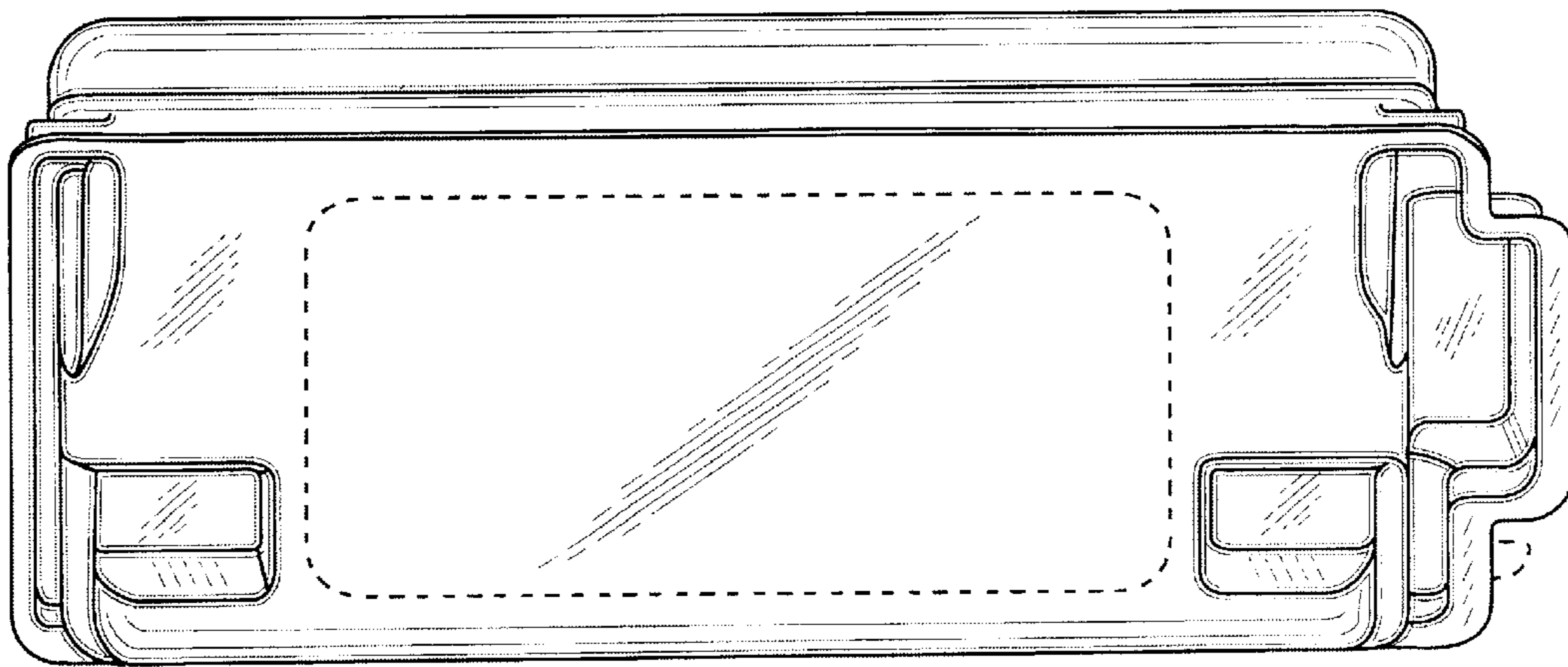


FIG. 5

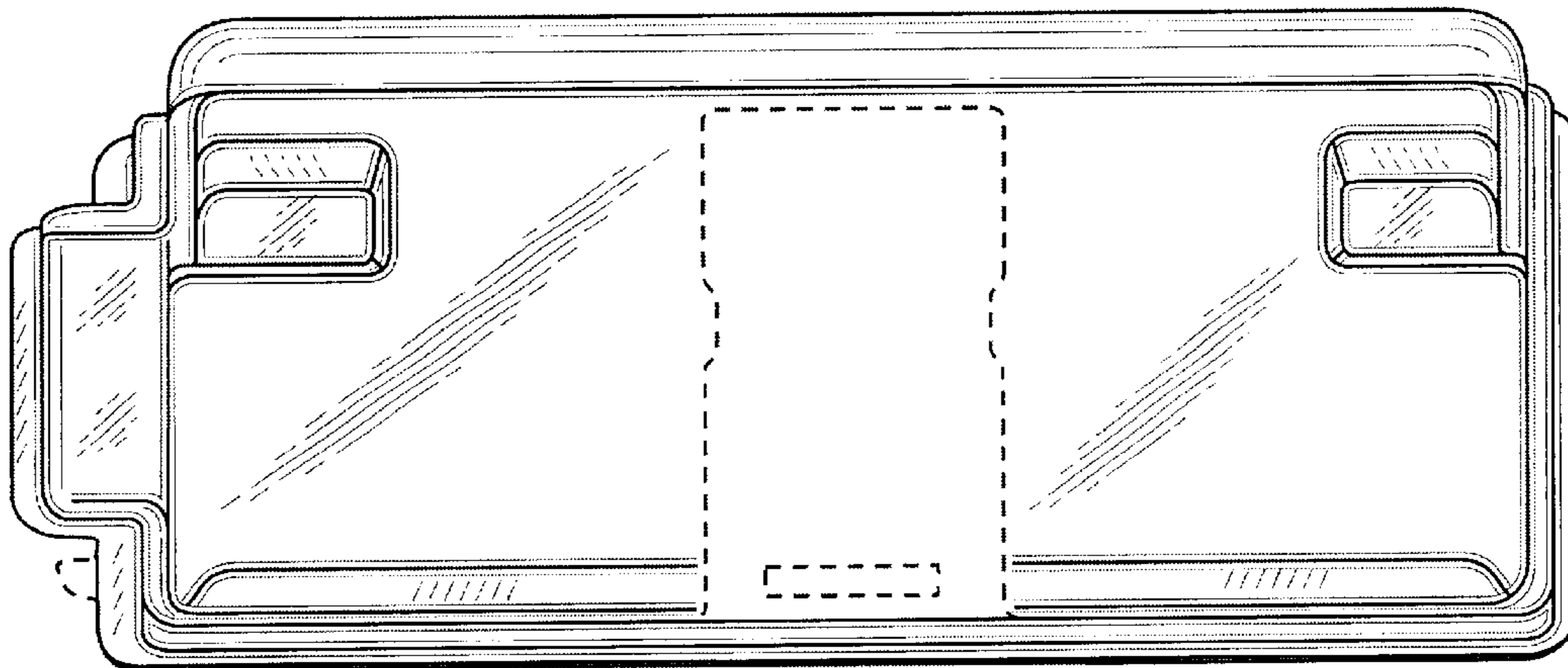


FIG. 6

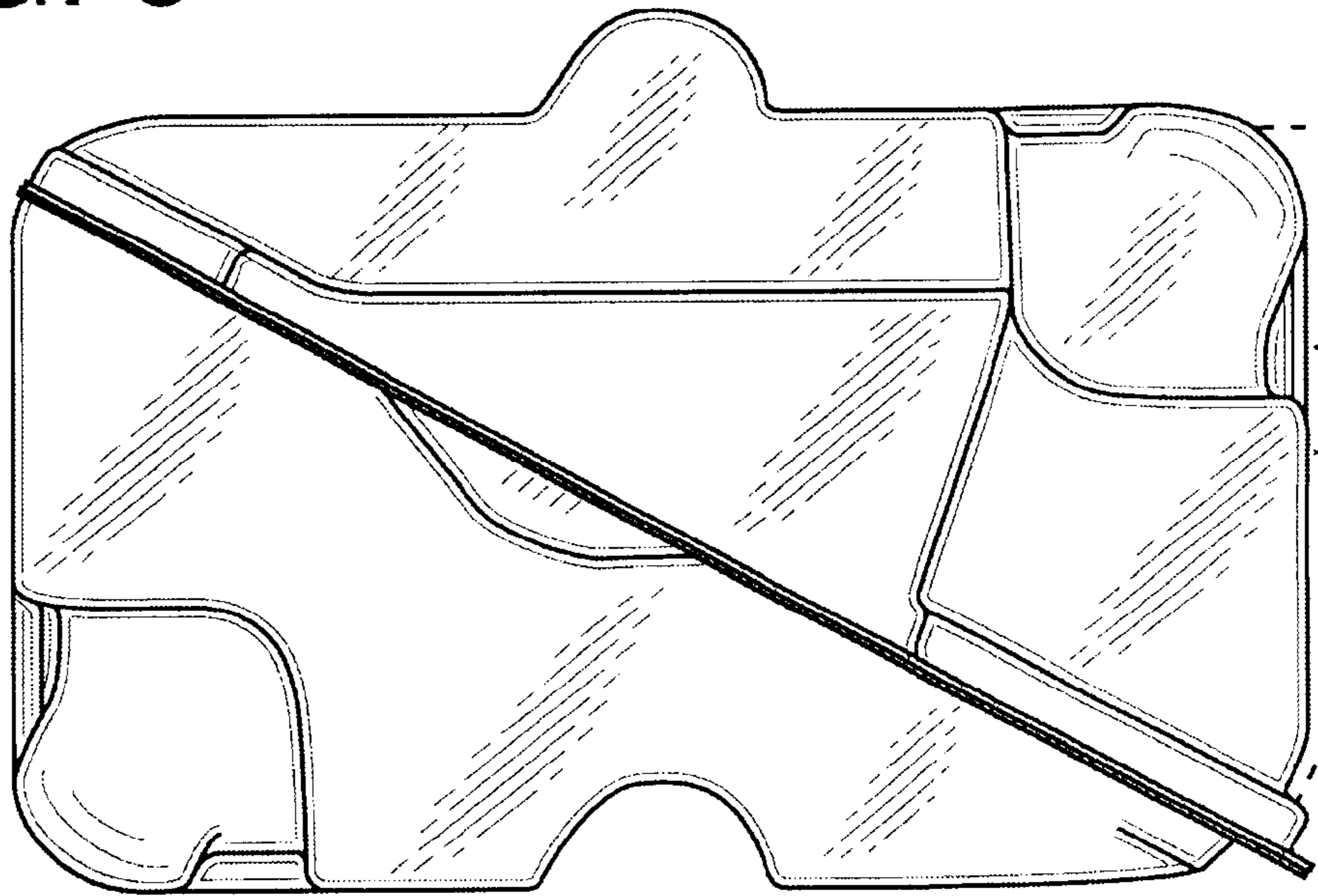


FIG. 7

