



US00D485432S

(12) **United States Design Patent**
Desrochers

(10) **Patent No.:** **US D485,432 S**

(45) **Date of Patent:** **** Jan. 20, 2004**

(54) **BACKPACK WITH DETACHABLE SEAT IN ZIPPERED ENCLOSURE**

(76) Inventor: **Simone Desrochers**, 55 River St.,
Morrisonville, NY (US) 12962

(**) Term: **14 Years**

(21) Appl. No.: **29/178,645**

(22) Filed: **Mar. 31, 2003**

(51) **LOC (7) Cl.** **03-01**

(52) **U.S. Cl.** **D3/216; D3/214; D3/217**

(58) **Field of Search** D2/741; D3/224,
D3/216-218, 233, 268, 274; D14/168; D21/483;
2/2.5; 190/148.2, 153, 155, 156, 576-580,
582-584, 601, 627-231, 640, 642, 643,
646, 647, 650, 652, 653, 656, 657; 381/90

(56) **References Cited**

U.S. PATENT DOCUMENTS

2,973,888	A	*	3/1961	Beardsley	
3,693,849	A	*	9/1972	Knabenbauer	224/153
4,002,108	A		1/1977	Drori	
4,450,990	A		5/1984	Bolstad	
4,471,993	A		9/1984	Watson	
D293,282	S		12/1987	Ashford	
4,720,029	A	*	1/1988	Varanakis	224/155
D306,379	S	*	3/1990	Kobasic	D6/367
5,062,557	A	*	11/1991	Mahvi et al.	224/153
D323,426	S	*	1/1992	Mahvi et al.	D3/214
5,230,450	A	*	7/1993	Mahvi et al.	224/153
5,234,143	A	*	8/1993	Mahvi et al.	224/415

5,409,291	A	*	4/1995	Lamb et al.	297/129
D371,676	S	*	7/1996	Geddes, Sr.	D3/216
5,588,570	A	*	12/1996	Zirbel	224/155
5,620,227	A	*	4/1997	Brune	297/4
5,819,998	A	*	10/1998	Chehebar	
5,819,999	A		10/1998	Tennant	
5,868,462	A	*	2/1999	Truax	297/129
5,927,575	A		7/1999	Gatling	
5,988,465	A	*	11/1999	Vitale et al.	224/155
6,145,716	A	*	11/2000	Caicedo	224/155
6,547,110	B2	*	4/2003	O'Hare	
2002/0113103	A1	*	8/2002	O'Hare	

* cited by examiner

Primary Examiner—Celia Murphy

(74) *Attorney, Agent, or Firm*—Donald R. Schoonover

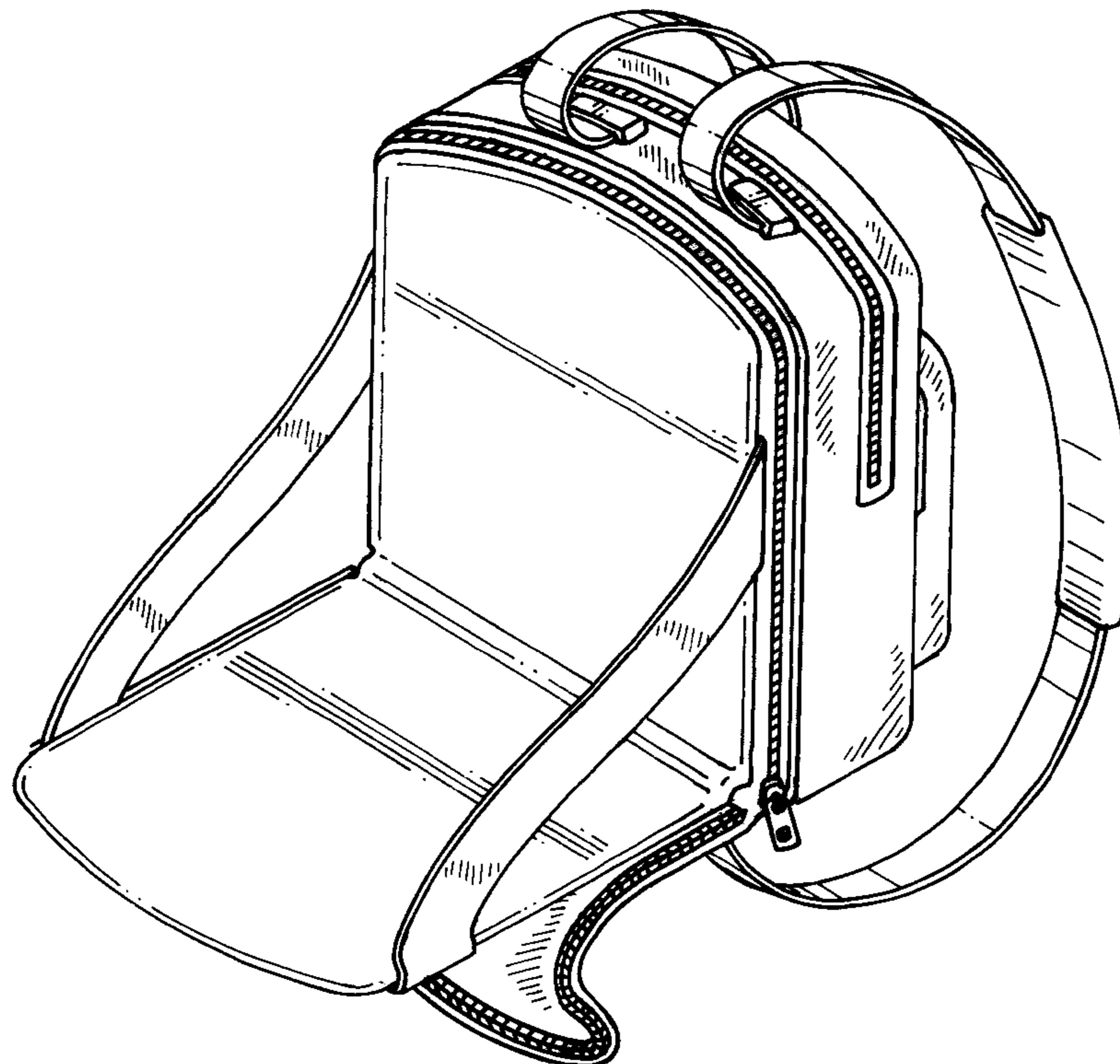
(57) **CLAIM**

I claim the ornamental design for a backpack with detachable seat in zippered enclosure, as shown and described.

DESCRIPTION

FIG. 1 is a perspective view of a backpack with detachable seat in zippered enclosure showing my new design; FIG. 2 is a front elevational view thereof; FIG. 3 is a rear elevational view thereof; FIG. 4 is a left side elevational view thereof; FIG. 5 is a right side elevational view thereof; FIG. 6 is a top plan view thereof; and, FIG. 7 is a bottom plan view thereof; all views show the seat opened for use.

1 Claim, 4 Drawing Sheets



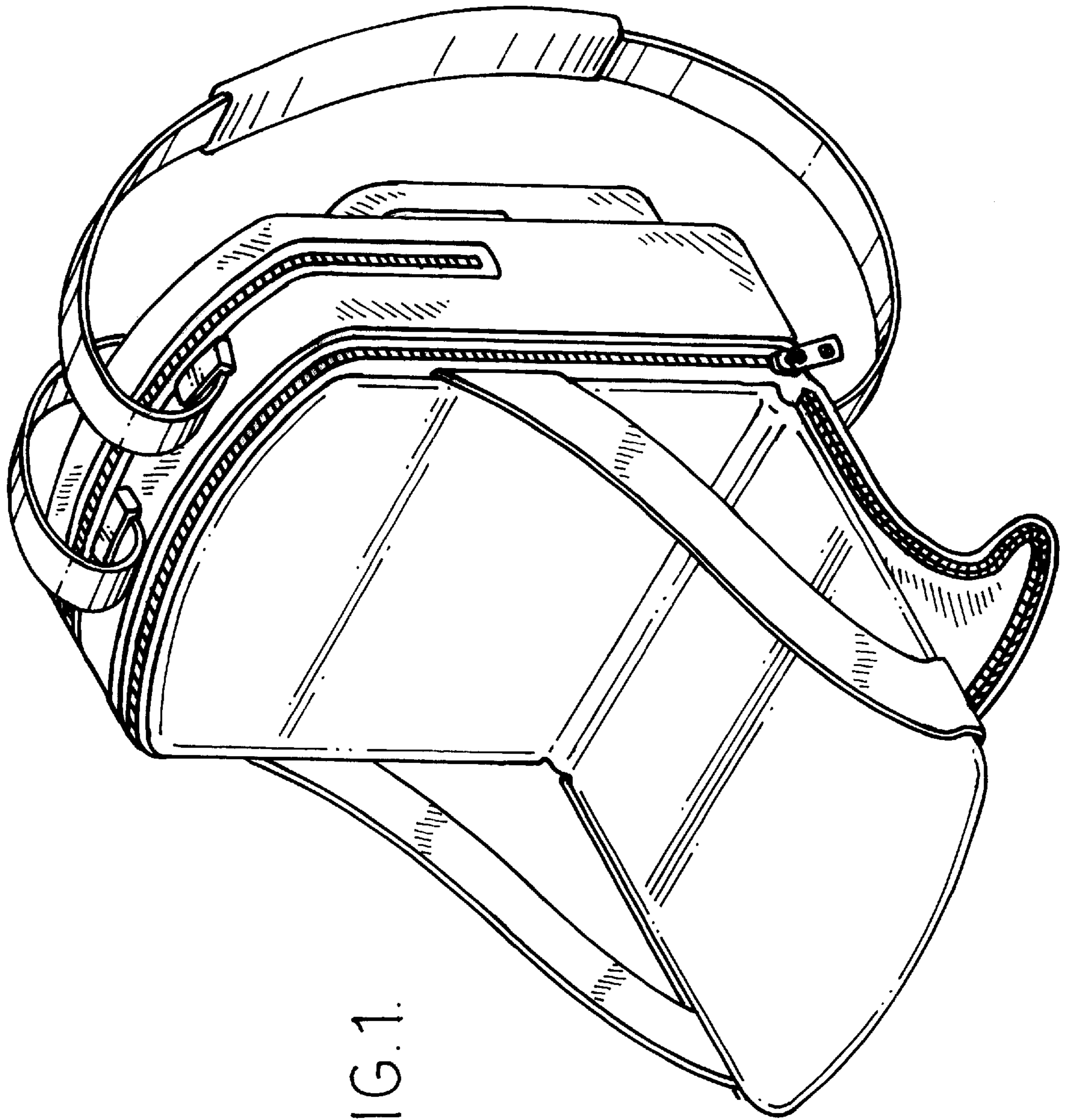


FIG.1.

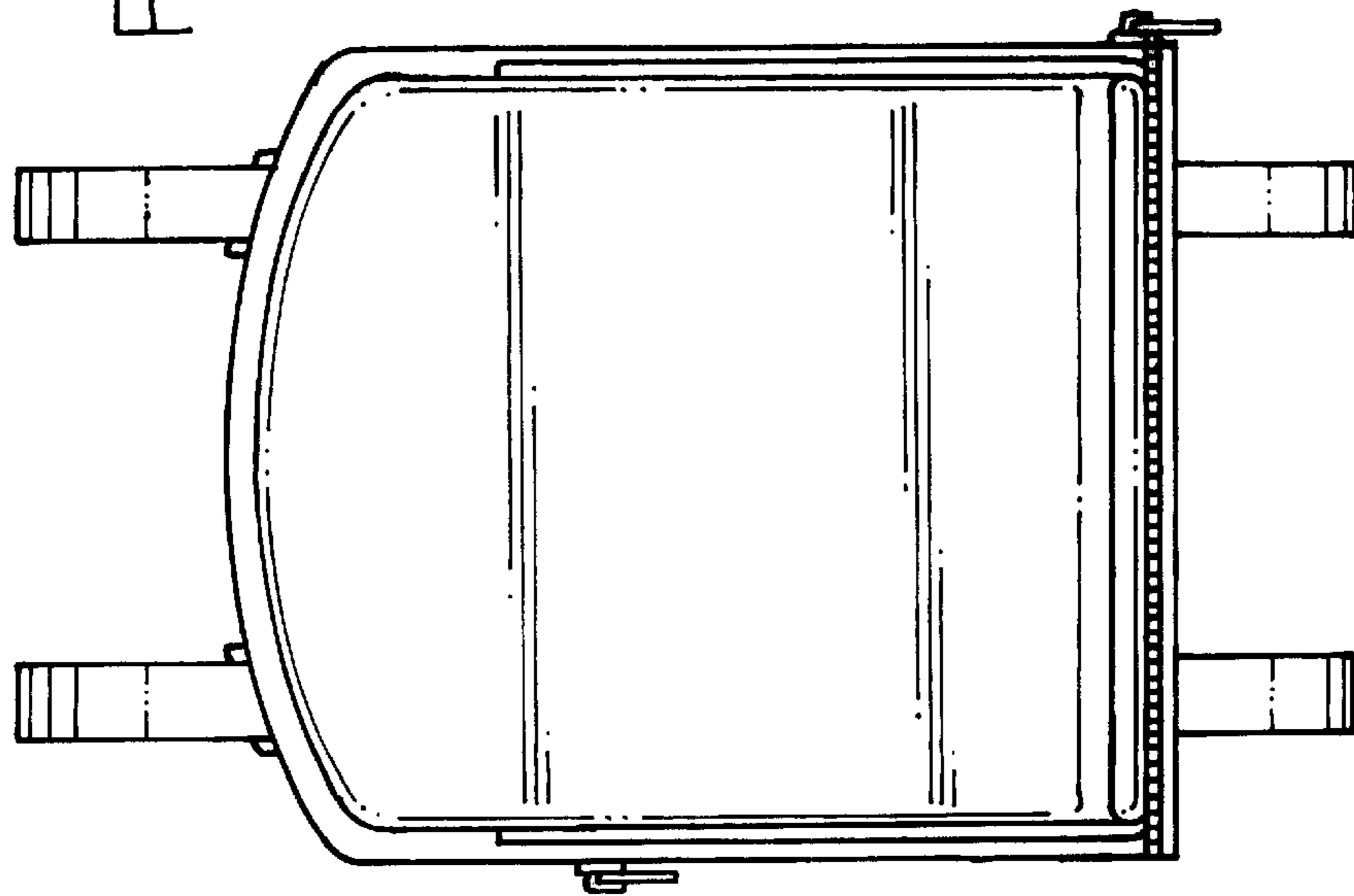


FIG. 2.

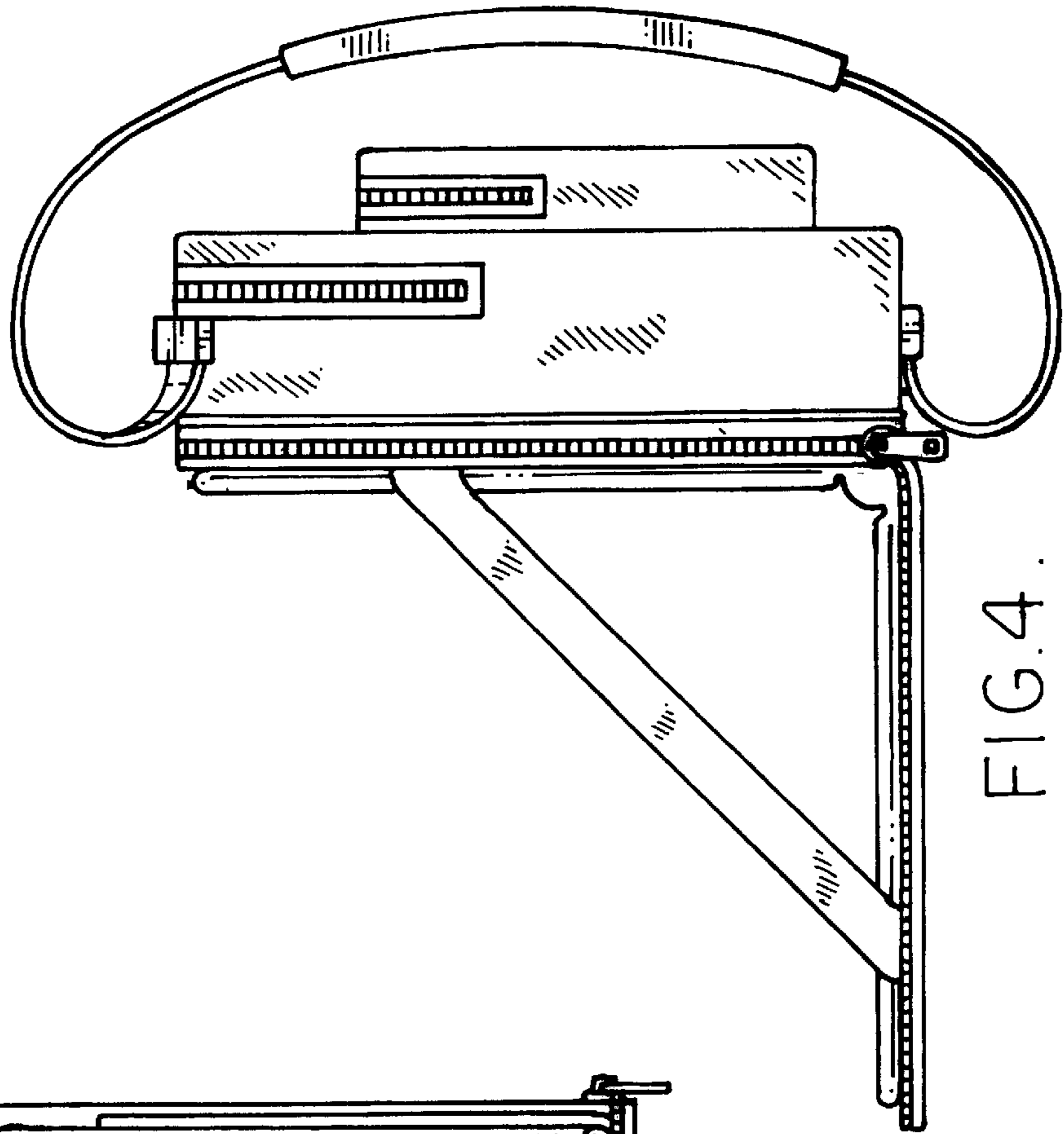


FIG. 4.

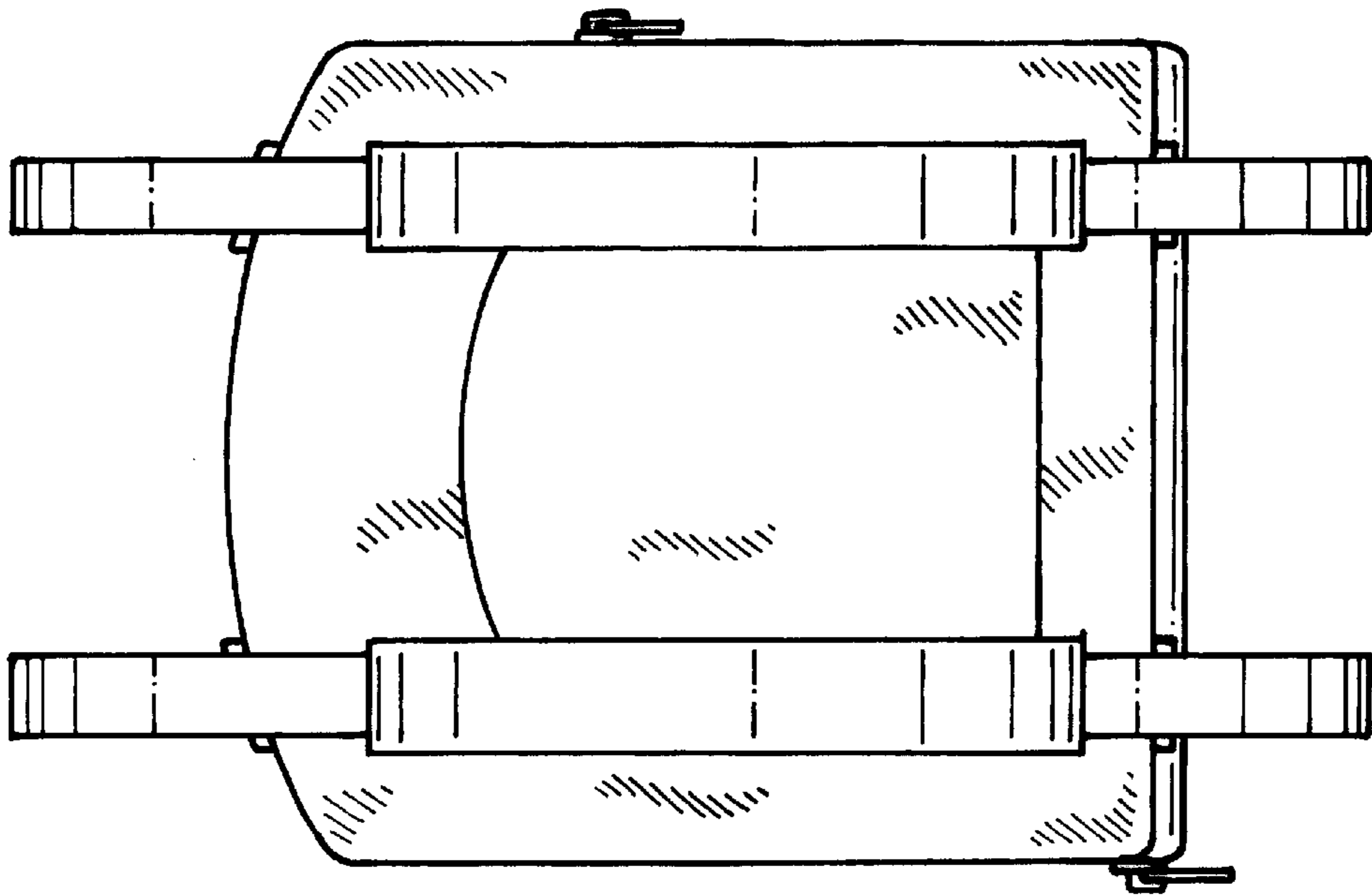


FIG. 3.

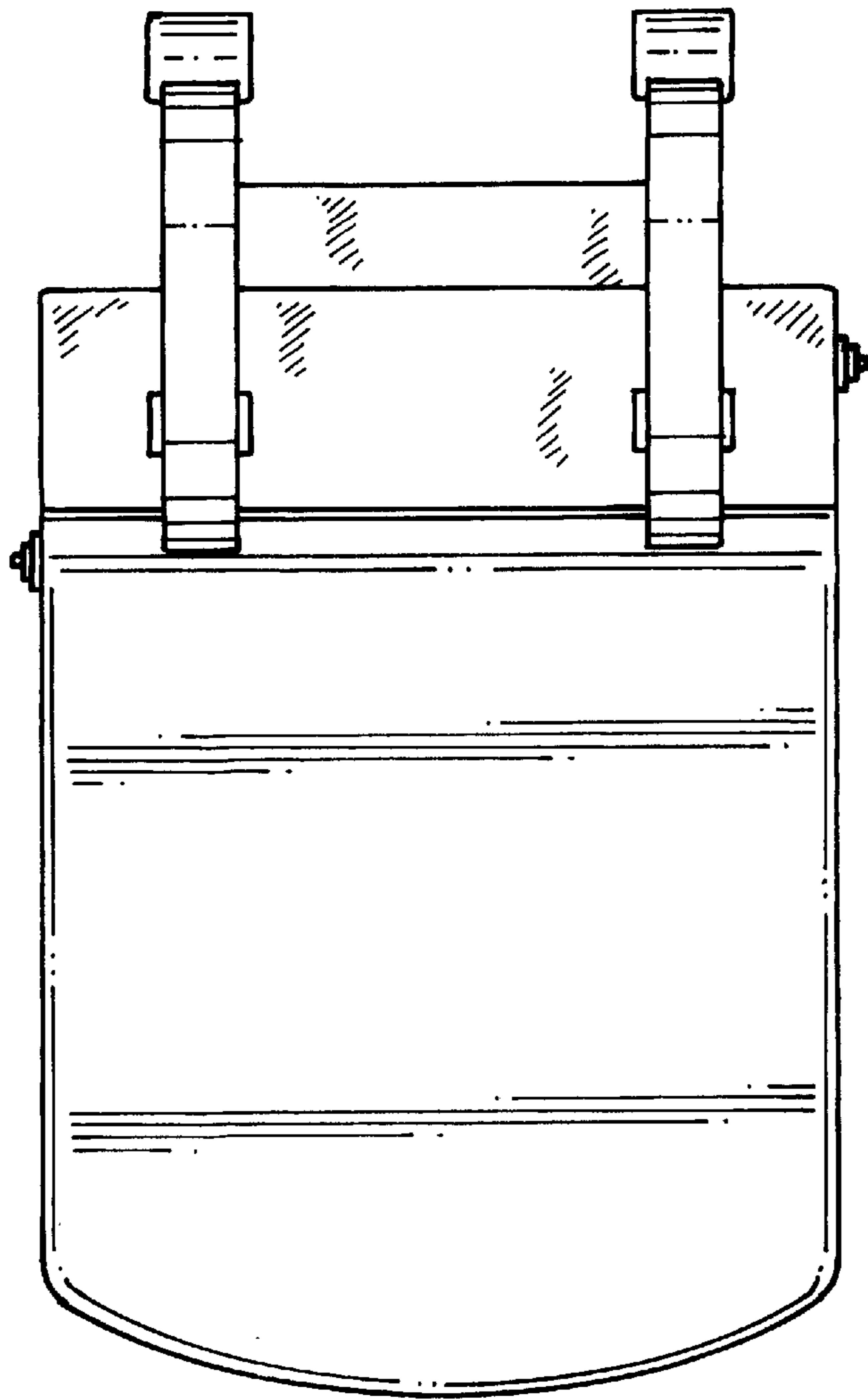


FIG. 7.

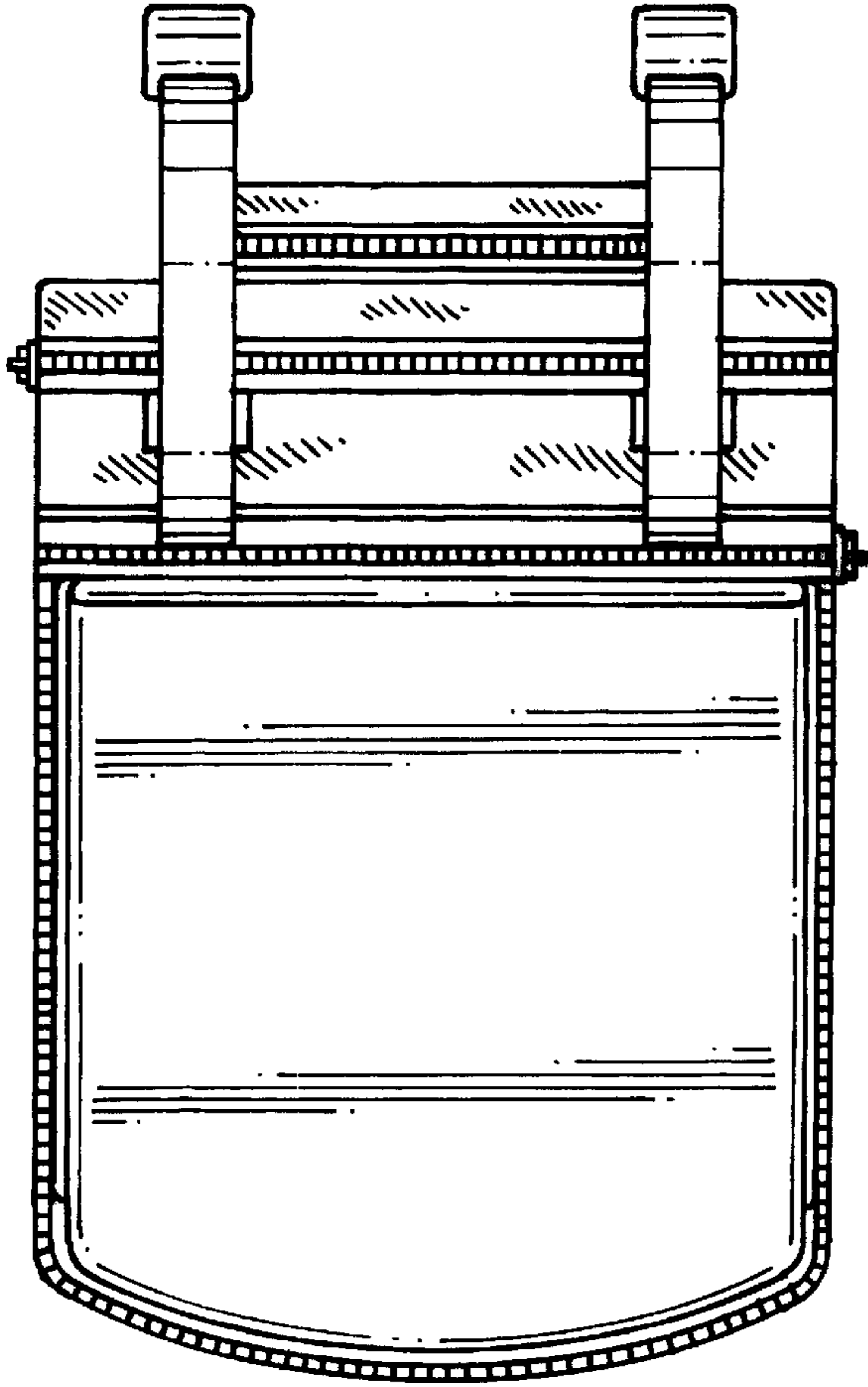


FIG. 6.

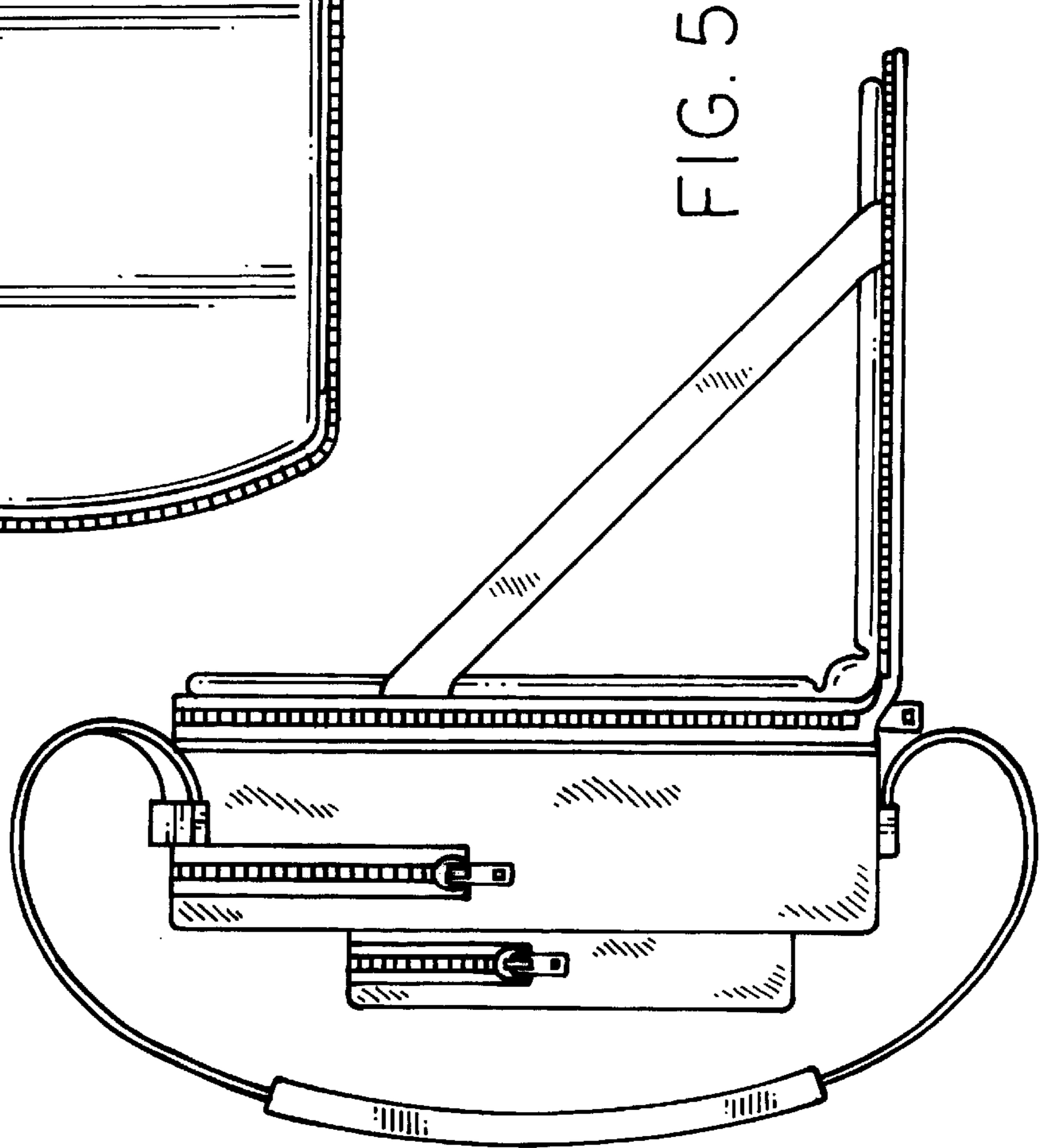


FIG. 5