



US00D485421S

(12) **United States Design Patent**  
**Norton**

(10) **Patent No.:** **US D485,421 S**

(45) **Date of Patent:** **\*\* Jan. 20, 2004**

(54) **CONFECTIONARY PRODUCT**

(75) **Inventor:** **Clive Norton, Uxbridge (GB)**

(73) **Assignee:** **Mars UK Limited, Slough (GB)**

(\*\*) **Term:** **14 Years**

(21) **Appl. No.:** **29/177,398**

(22) **Filed:** **Mar. 11, 2003**

**Related U.S. Application Data**

(62) Division of application No. 29/141,455, filed on May 7, 2001.

(30) **Foreign Application Priority Data**

Nov. 8, 2000	(GB)	.....	2097227
Jan. 24, 2001	(GB)	.....	2099000
Jan. 24, 2001	(GB)	.....	2099001
Jan. 24, 2001	(GB)	.....	2099002
Jan. 24, 2001	(GB)	.....	2099003

(51) **LOC (7) Cl.** ..... **01-01**

(52) **U.S. Cl.** ..... **D1/127**

(58) **Field of Search** ..... D1/100-130, 199;  
426/104, 289, 295, 383, 660; 424/440,  
441, 464, 467; D24/101, 102

(56) **References Cited**

**U.S. PATENT DOCUMENTS**

787,887 A	4/1905	Baker	.....	426/383 X
1,243,501 A	10/1917	Fraser	.....	426/660 X
2,106,097 A	1/1938	Homan	.....	46/175
2,312,381 A	3/1943	Bickenheuser	.....	167/57
D213,873 S	4/1969	Bryan	.....	D16/3
D327,564 S	7/1992	Kesdekoglu	.....	D1/127

5,698,224 A	12/1997	Guittard et al.	.....	424/468
5,824,338 A	10/1998	Jacobs et al.	.....	424/460
D400,685 S	11/1998	Stanton	.....	D1/127
6,214,380 B1	4/2001	Parekh et al.	.....	424/464

*Primary Examiner*—Alan P. Douglas  
*Assistant Examiner*—Linda Brooks  
(74) *Attorney, Agent, or Firm*—Fitzpatrick, Cella, Harper & Scinto

(57) **CLAIM**

The ornamental design for a confectionery product, as shown and described.

**DESCRIPTION**

FIG. 1 is a perspective view of the confectionery product having a generally square configuration with rounded corners and generally circular indentations in top and bottom sides thereof;

FIG. 2 is a top plan view of the confectionery product illustrated in FIG. 1, showing the indentation in the top side thereof, the bottom side thereof being a mirror image of the top side shown in FIG. 2;

FIG. 3 is a side elevation view of the confectionery product illustrated in FIGS. 1 and 2, the other three sides thereof being a mirror image of the side shown in FIG. 3; and,

FIG. 4 is a cross-sectional view of the confectionery product illustrated in FIGS. 1 through 3, showing the indentations in the top and bottom sides thereof.

A characteristics feature of the design resides in the shape and configuration of the article and/or the pattern and ornament applied to the article as shown in the representations, the article being transparent and the star-shaped representing particles of opaque material, which are arranged throughout the article in a random fashion.

**1 Claim, 1 Drawing Sheet**

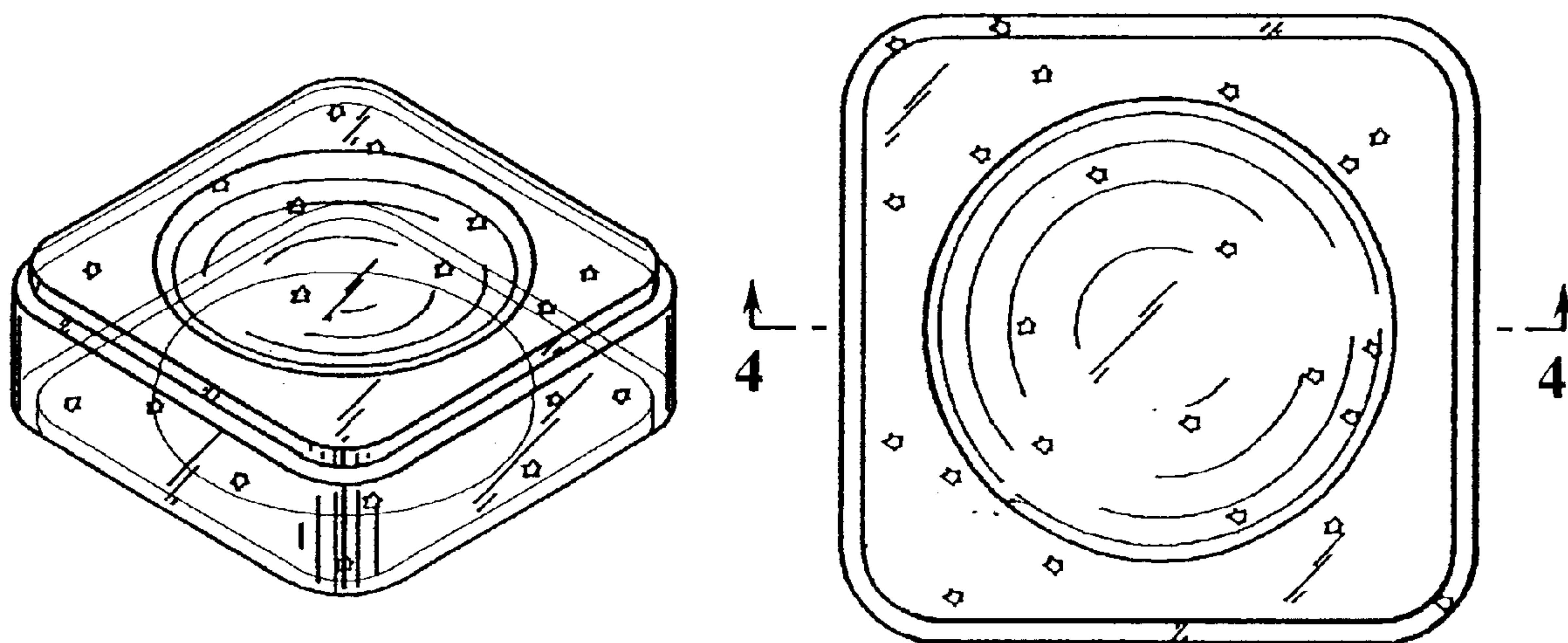


FIG. 1

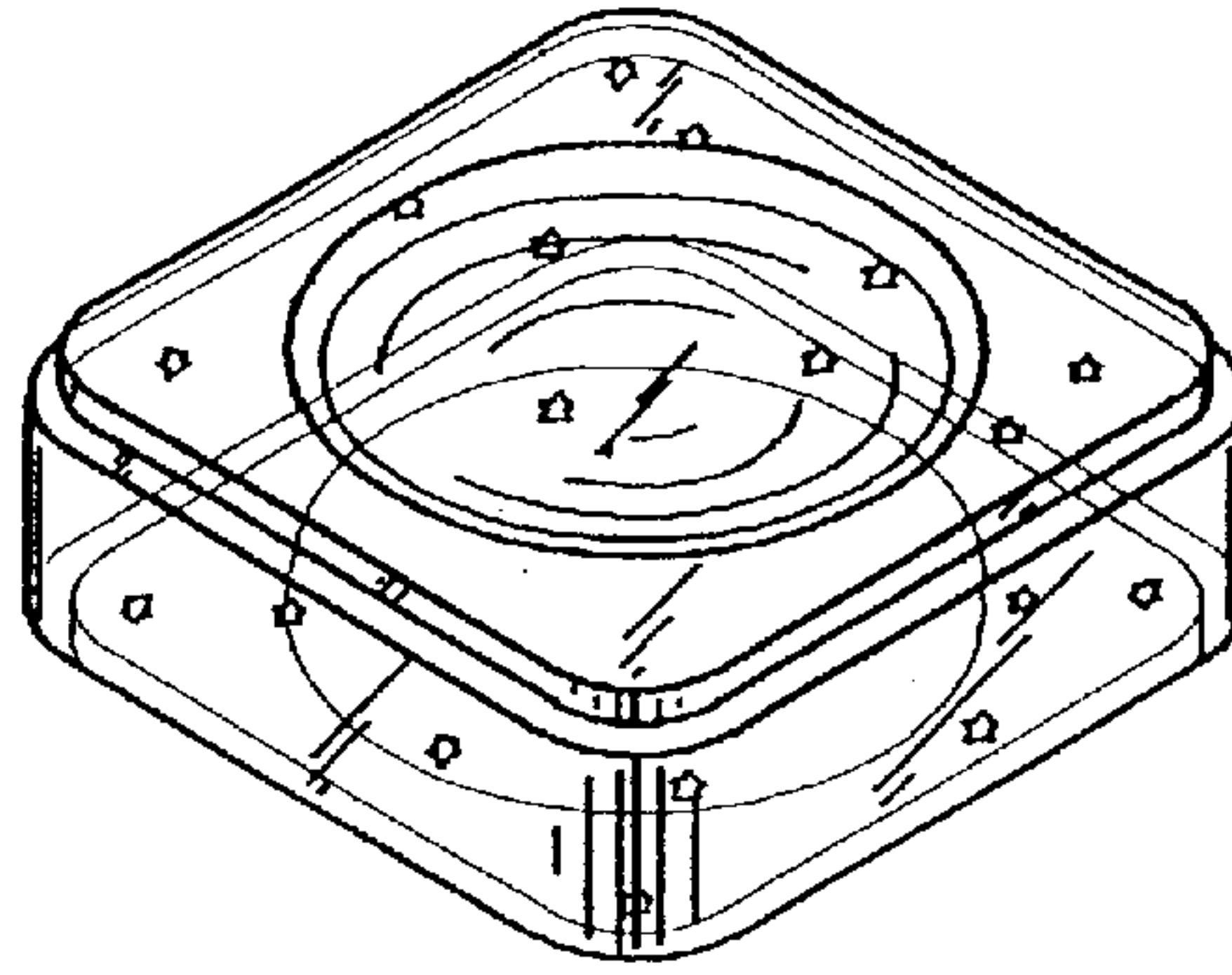


FIG. 2

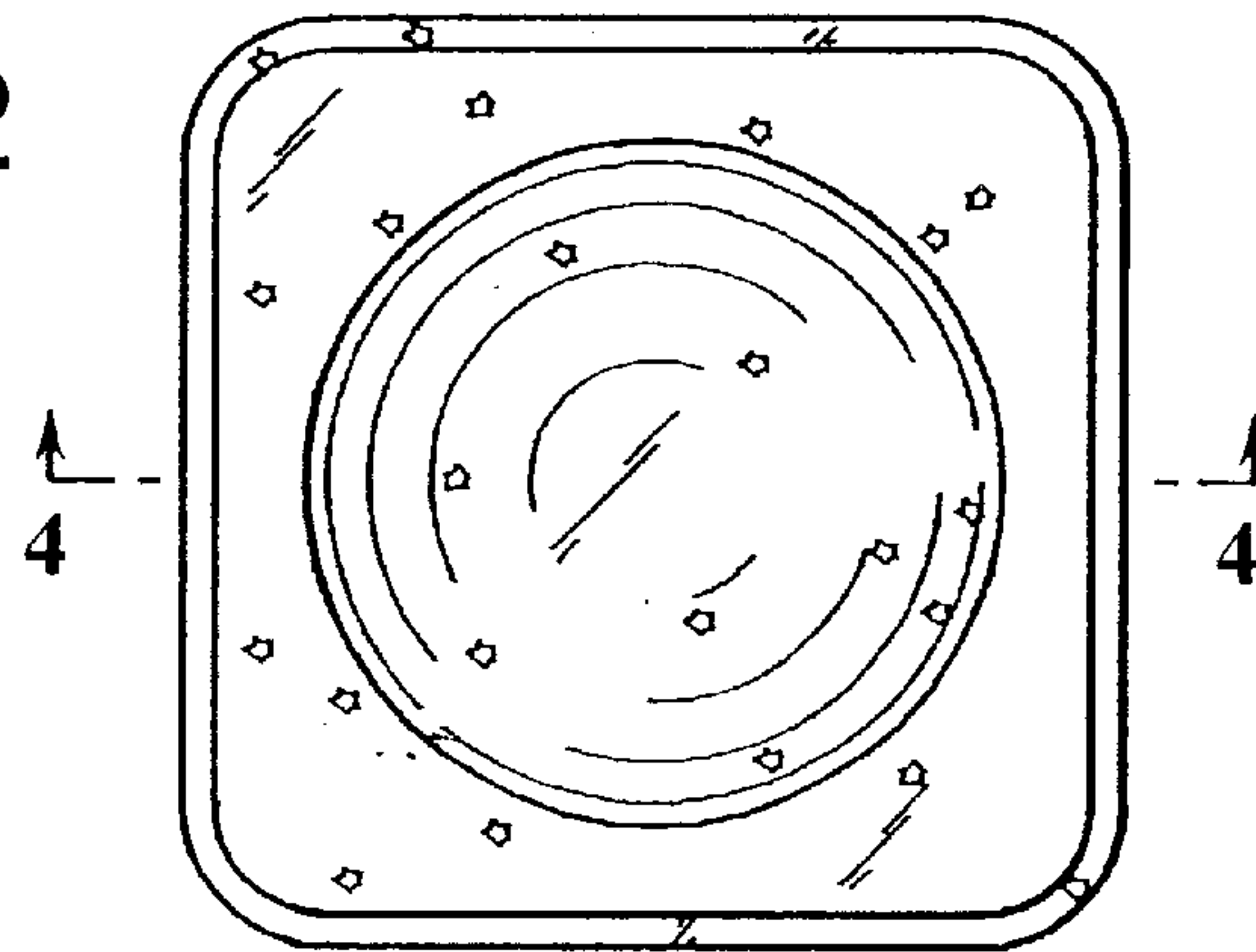


FIG. 3

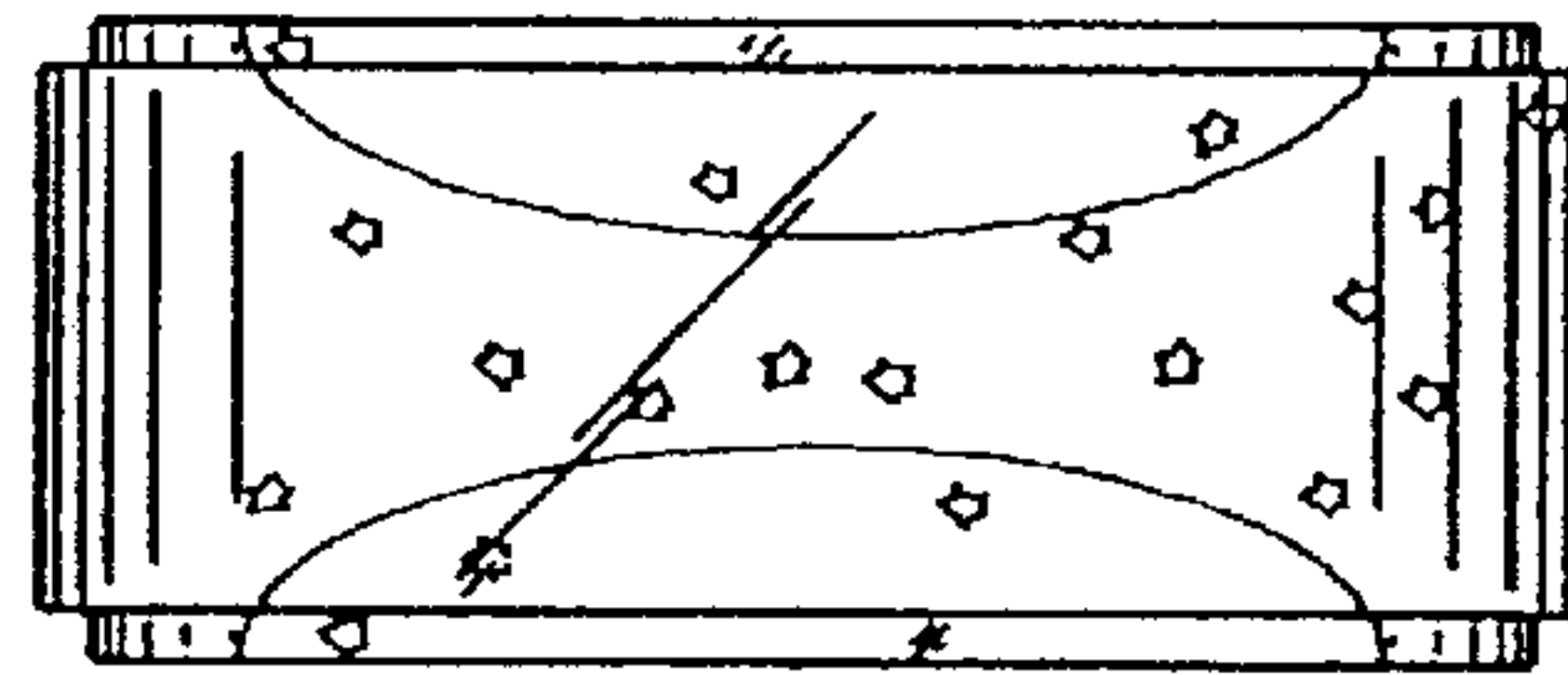
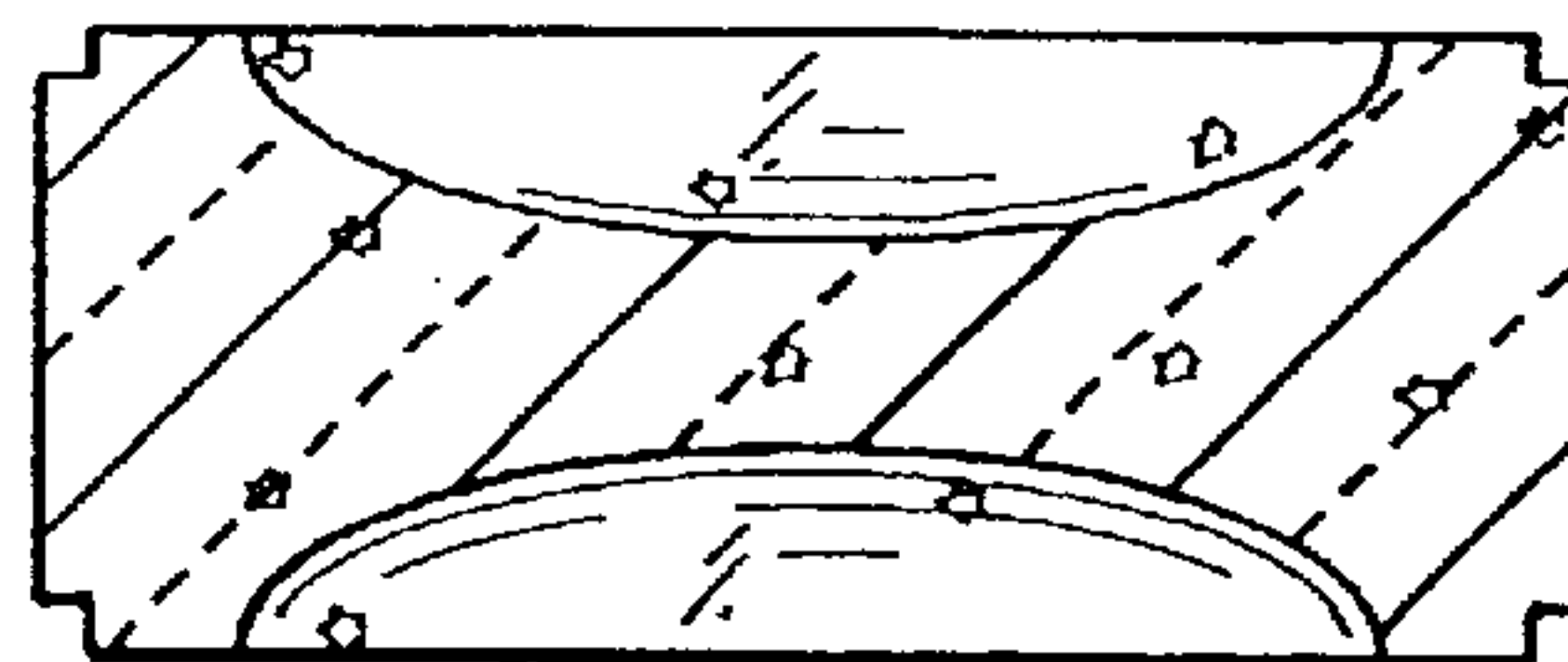


FIG. 4



UNITED STATES PATENT AND TRADEMARK OFFICE  
**CERTIFICATE OF CORRECTION**

PATENT NO. : Des. 485,421 S  
DATED : January 20, 2004  
INVENTOR(S) : Clive Norton

Page 1 of 1

It is certified that error appears in the above-identified patent and that said Letters Patent is hereby corrected as shown below:

Title page.

Item [54], Title, "CONFECTIONARY" should read -- **CONFECTIONERY** --.

Item [57], **DESCRIPTION**,

Line 15, "characteristics" should read -- characteristic --; and

Line 18, "star-shaped" should read -- star-shapes --.

Signed and Sealed this

Seventeenth Day of January, 2006

A handwritten signature in black ink on a light gray dotted background. The signature reads "Jon W. Dudas" in a cursive style.

JON W. DUDAS

*Director of the United States Patent and Trademark Office*