



US00D485419S

(12) **United States Design Patent**
Paris et al.

(10) **Patent No.:** **US D485,419 S**
(45) **Date of Patent:** **** Jan. 13, 2004**

(54) **DOOR FOR SECURITY SAFES AND GUN CABINETS**

(75) Inventors: **Chad P. Paris**, Coram, NY (US); **Scott W. Osiecki**, Skaneateles, NY (US)

(73) Assignee: **John D. Brush,Co, Inc.**, Rochester, NY (US)

(**) Term: **14 Years**

(21) Appl. No.: **29/176,845**

(22) Filed: **Feb. 26, 2003**

(51) **LOC (7) Cl.** **99-00**

(52) **U.S. Cl.** **D99/43; D99/28**

(58) **Field of Search** **D99/28, 35, 43; 109/45, 50, 59 R, 25, 59 T, 64, 249, 39, 47; 70/315, 63, 432, 304, 278.1; 312/347, 263; 220/8; D6/559, 448; 232/4 R**

(56) **References Cited**

U.S. PATENT DOCUMENTS

D281,920 S	*	12/1985	Lacka	D99/28
4,669,394 A	*	6/1987	Fogleman et al.	109/59 T
D297,195 S	*	8/1988	Warwicker	D6/559
D308,744 S	*	6/1990	Arauchi	D99/28
5,111,755 A	*	5/1992	Rouse	109/25
D380,793 S	*	7/1997	Conwell	D99/28 X
D390,327 S	*	2/1998	Warnelov	D99/28
D393,393 S	*	4/1998	Greger	D6/559
D461,617 S	*	8/2002	Gardner	D99/28
6,490,893 B1	*	12/2002	Benion	70/63

* cited by examiner

Primary Examiner—Paula A. Mortimer
(74) *Attorney, Agent, or Firm*—Jaeckle Fleischmann & Mugel, LLP

(57) **CLAIM**

The ornamental design for a door for security safes and gun cabinets, as shown and described.

DESCRIPTION

FIG. 1 is a perspective view of a first embodiment of the design;

FIG. 2 is a top view of a first embodiment of the design;

FIG. 3 is an elevation view of a first embodiment of the design;

FIG. 4 is a side view of a first embodiment of the design;

FIG. 5 is a perspective view of a second embodiment of the design;

FIG. 6 is a top view of a second embodiment of the design;

FIG. 7 is an elevation view of a second embodiment of the design;

FIG. 8 is a side view of a second embodiment of the design;

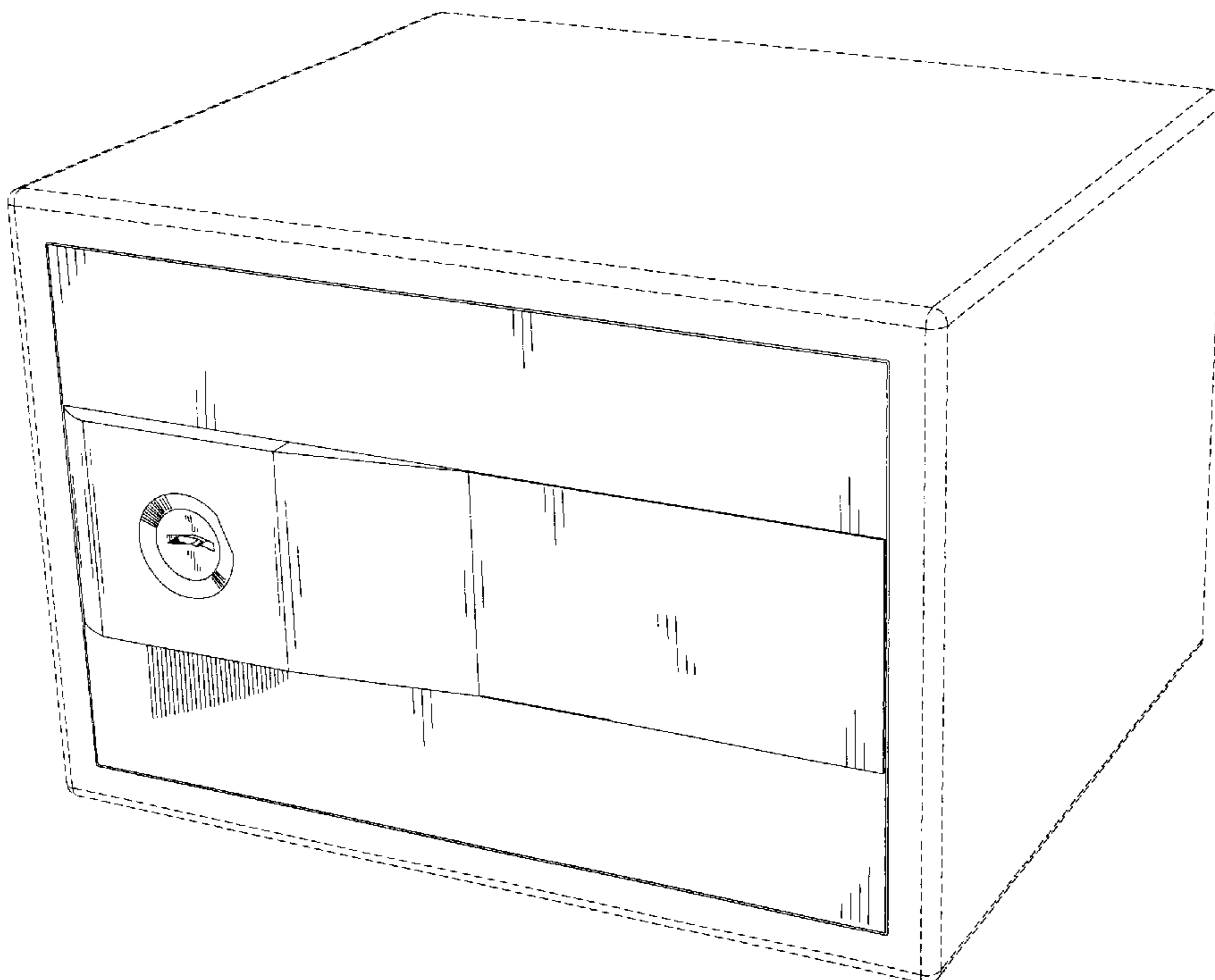
FIG. 9 is a perspective view of a third embodiment of the design;

FIG. 10 is a top view of a third embodiment of the design;

FIG. 11 is an elevation view of a third embodiment of the design; and,

FIG. 12 is a side view of a third embodiment of the design. The broken line showing of a security safe is for illustrative purposes only and forms no part of the claimed design.

1 Claim, 6 Drawing Sheets



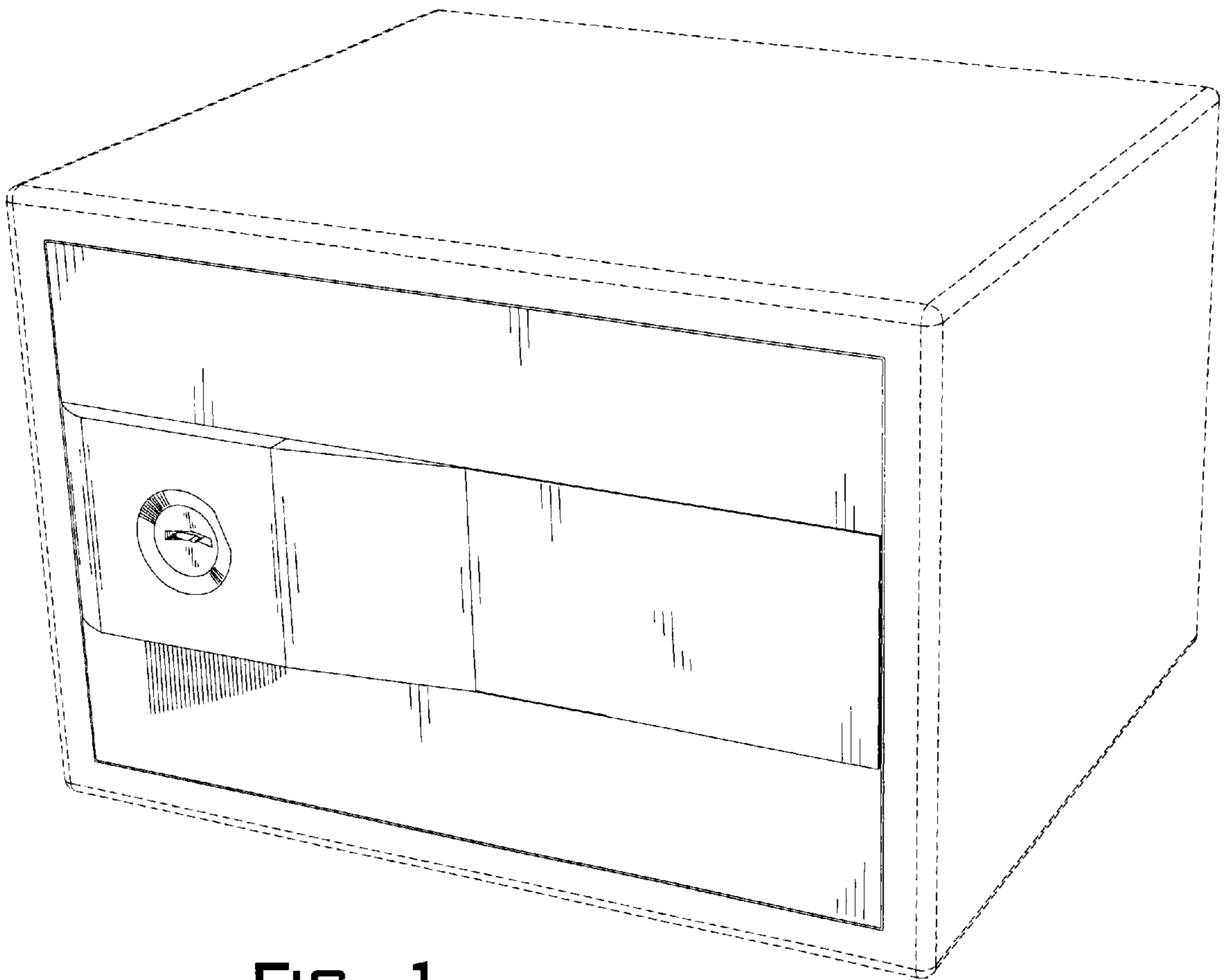


FIG. 1

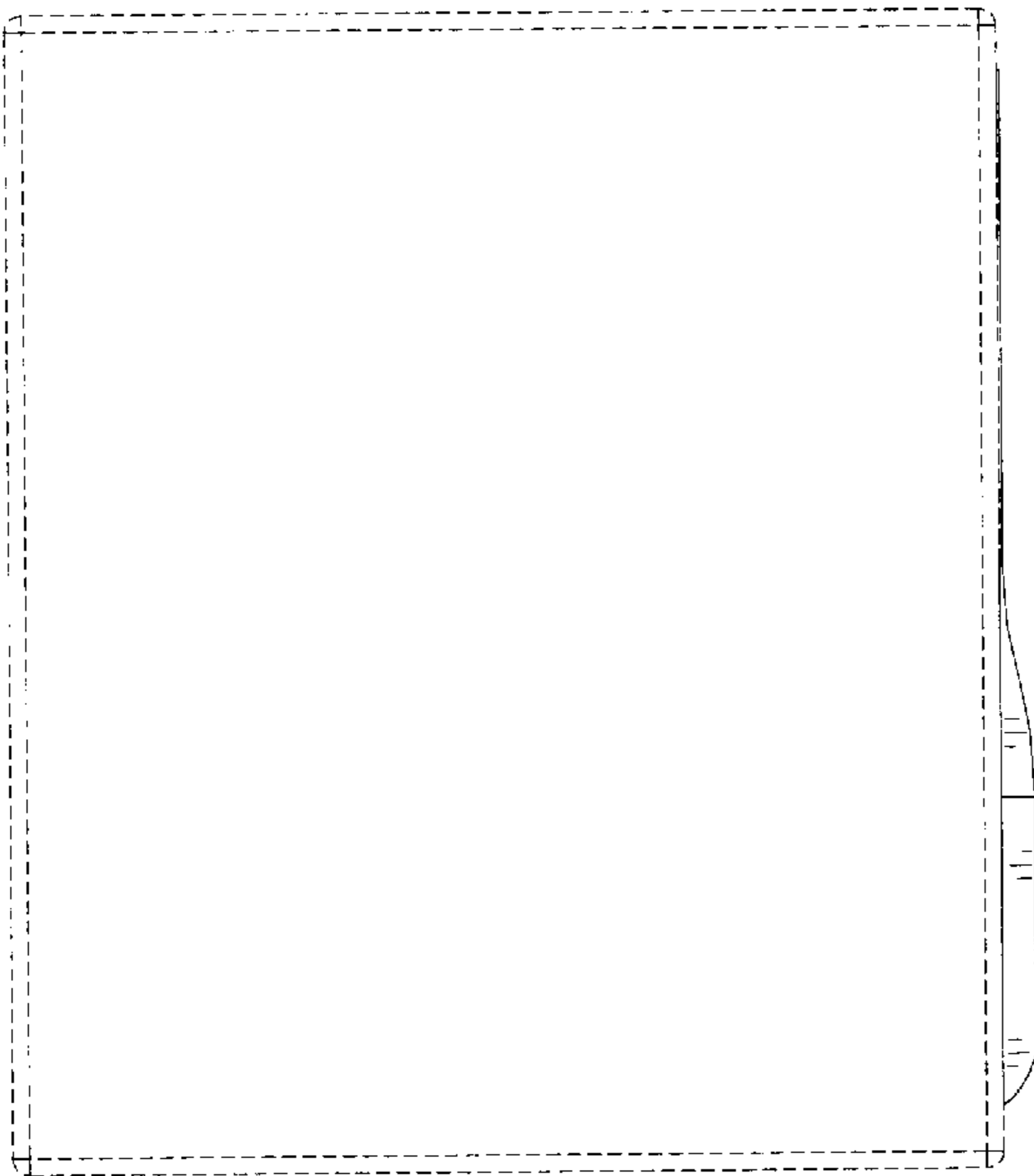


FIG. 2

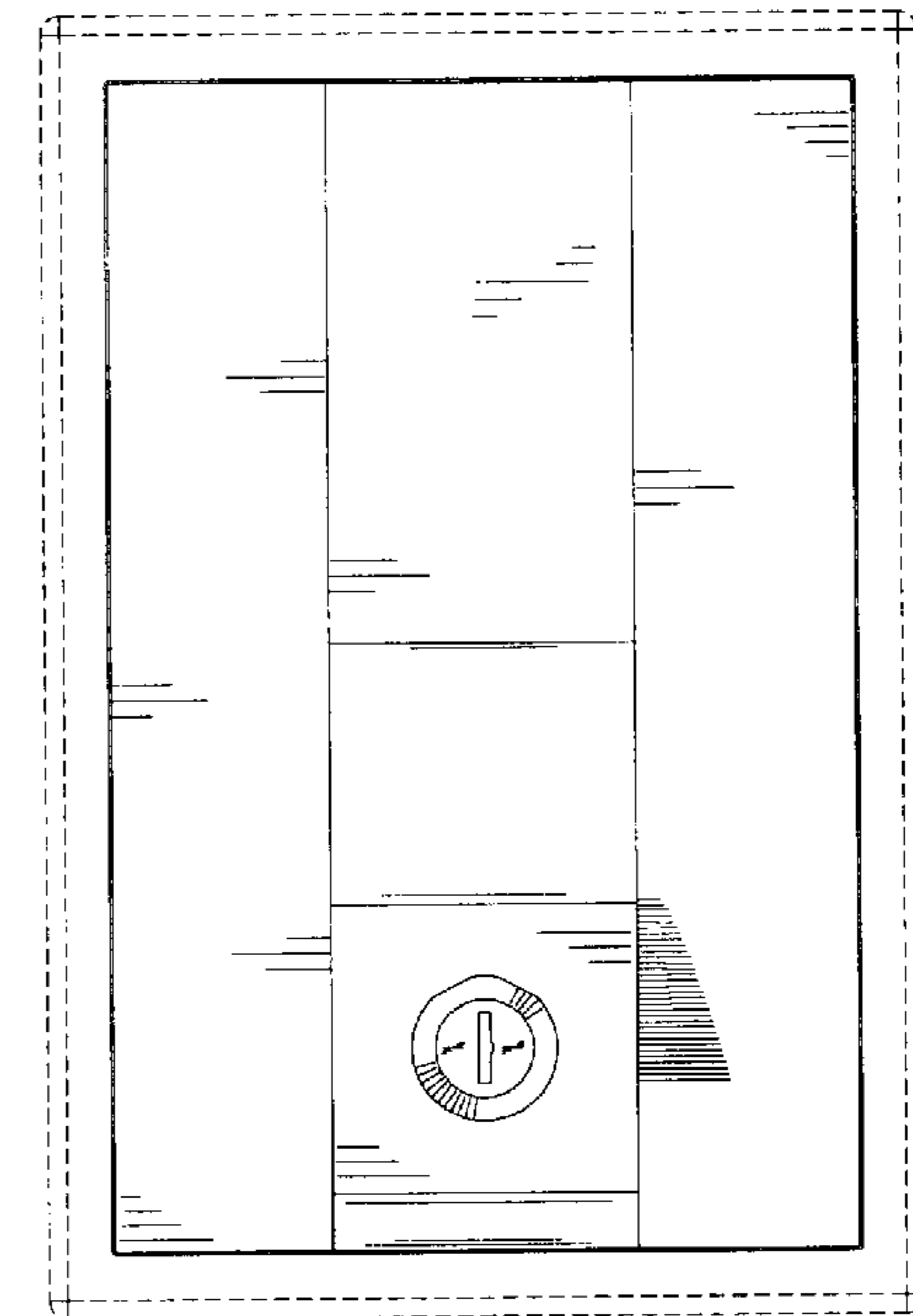


FIG. 3

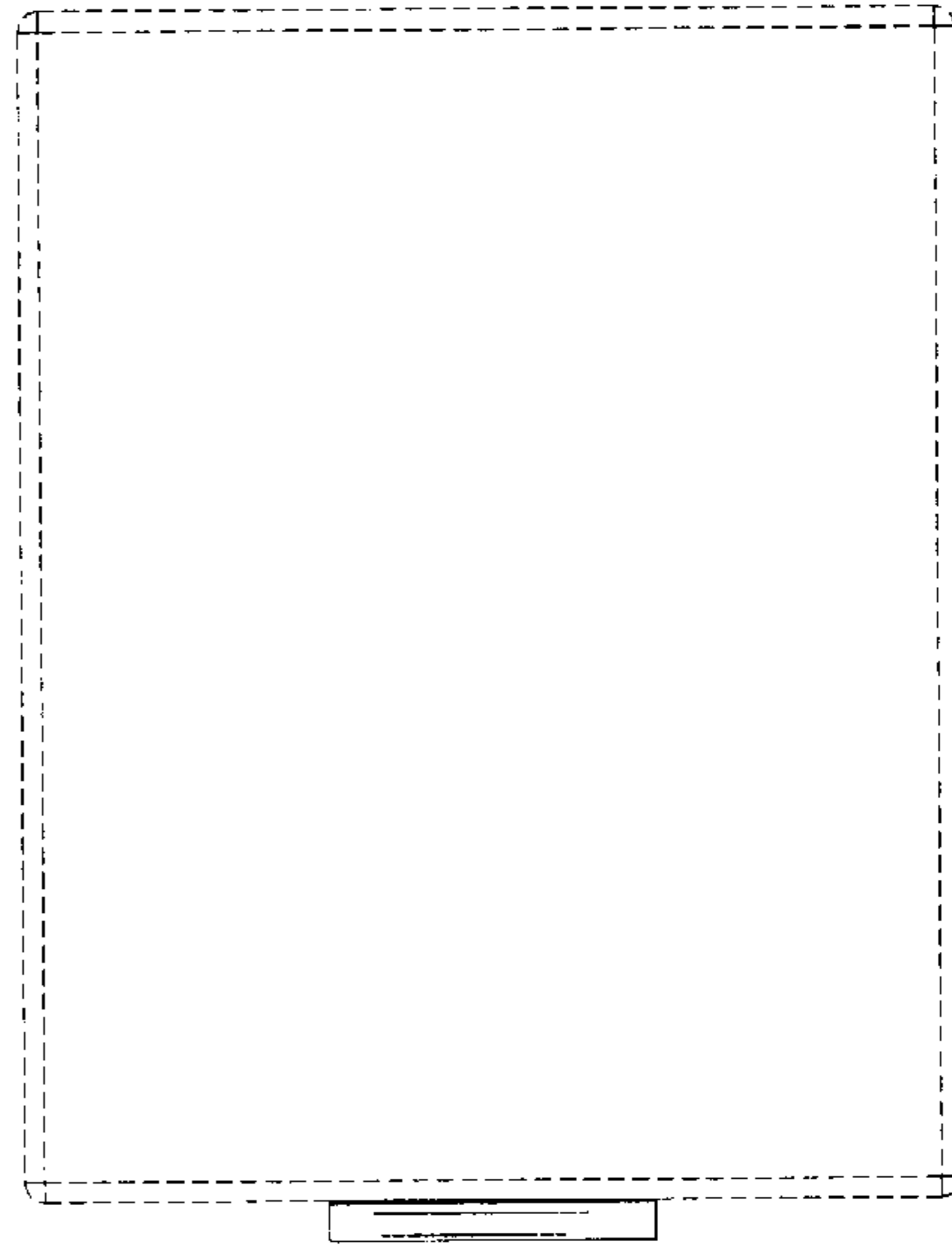


FIG. 4

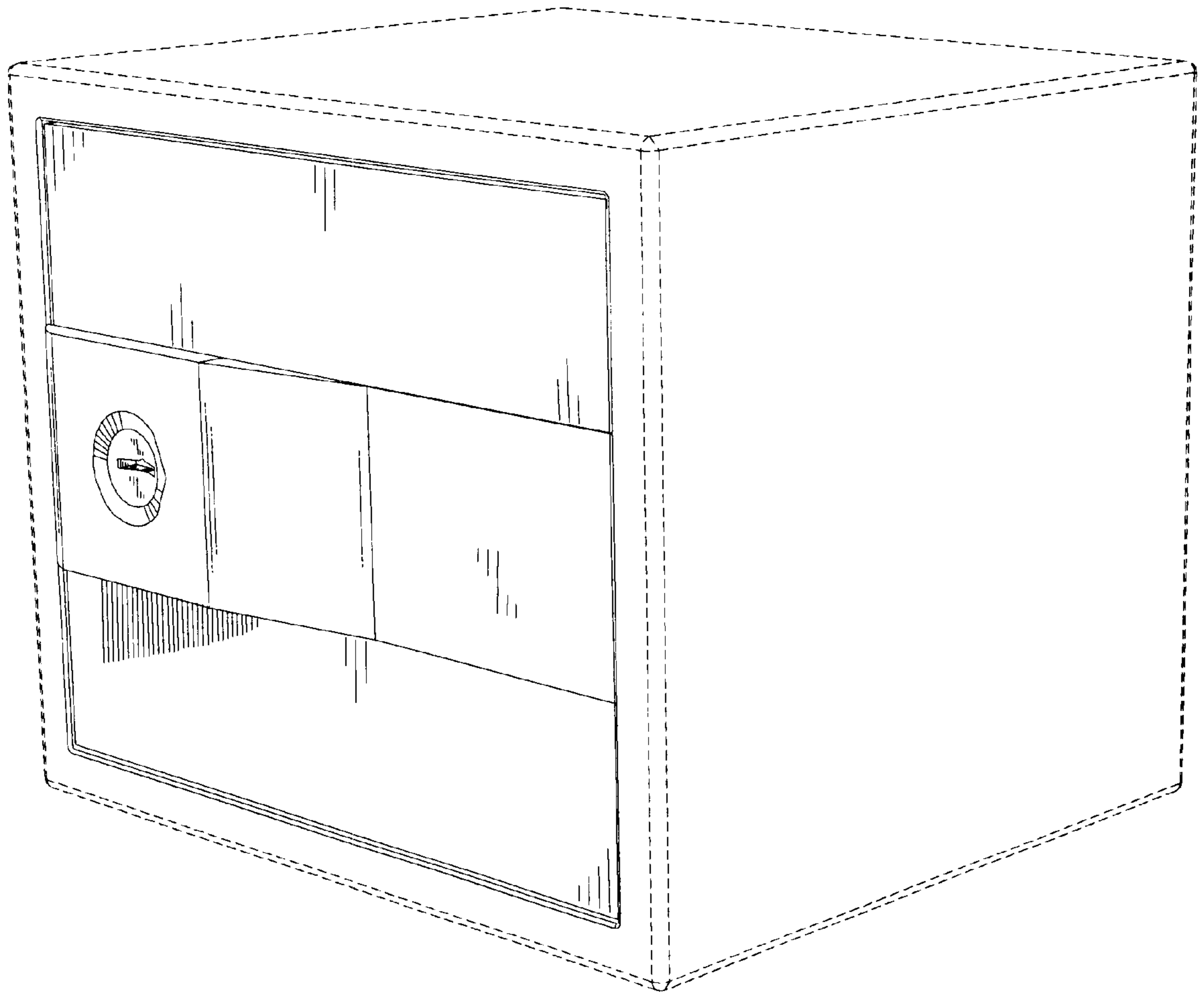


FIG. 5

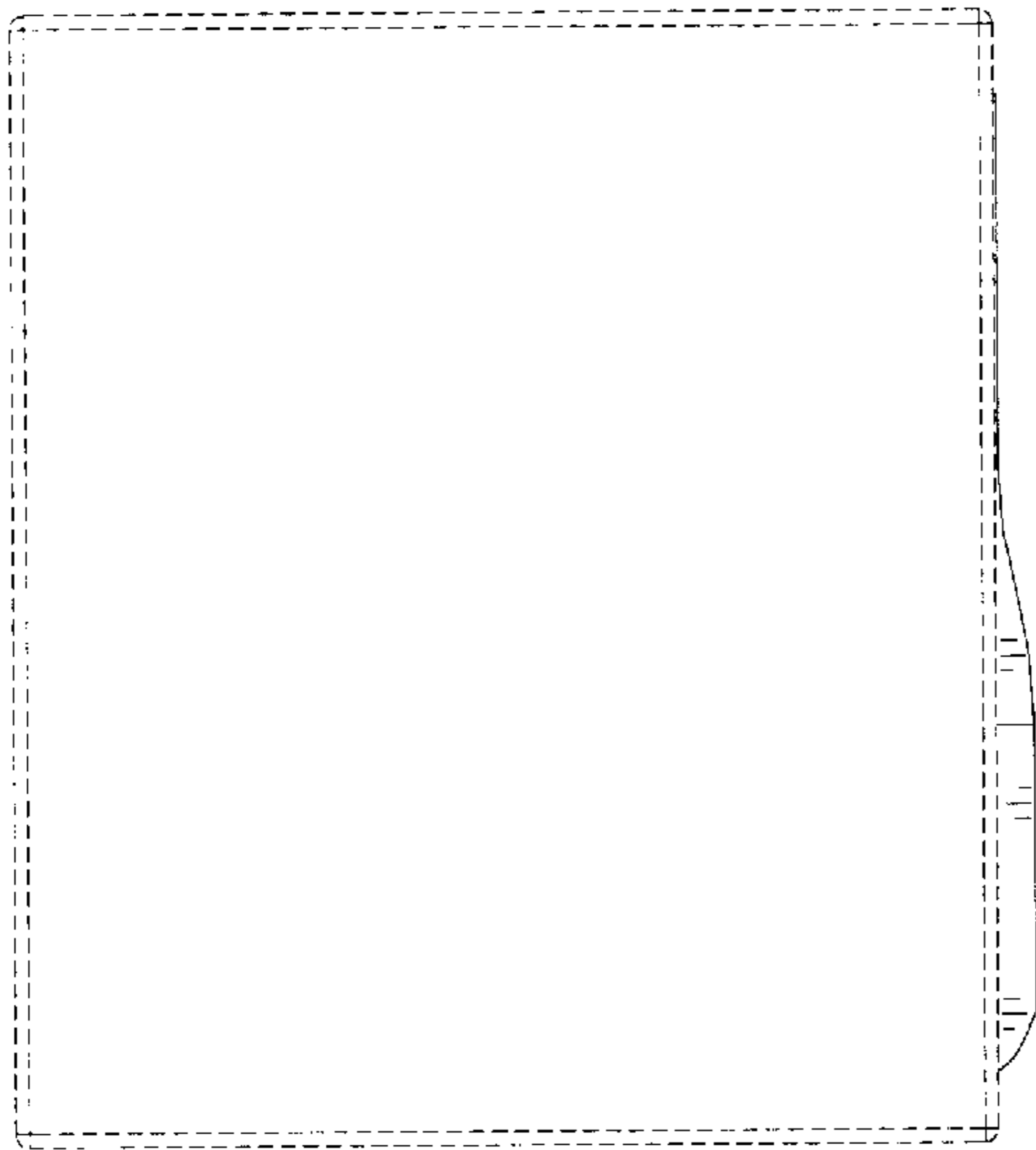


FIG. 6

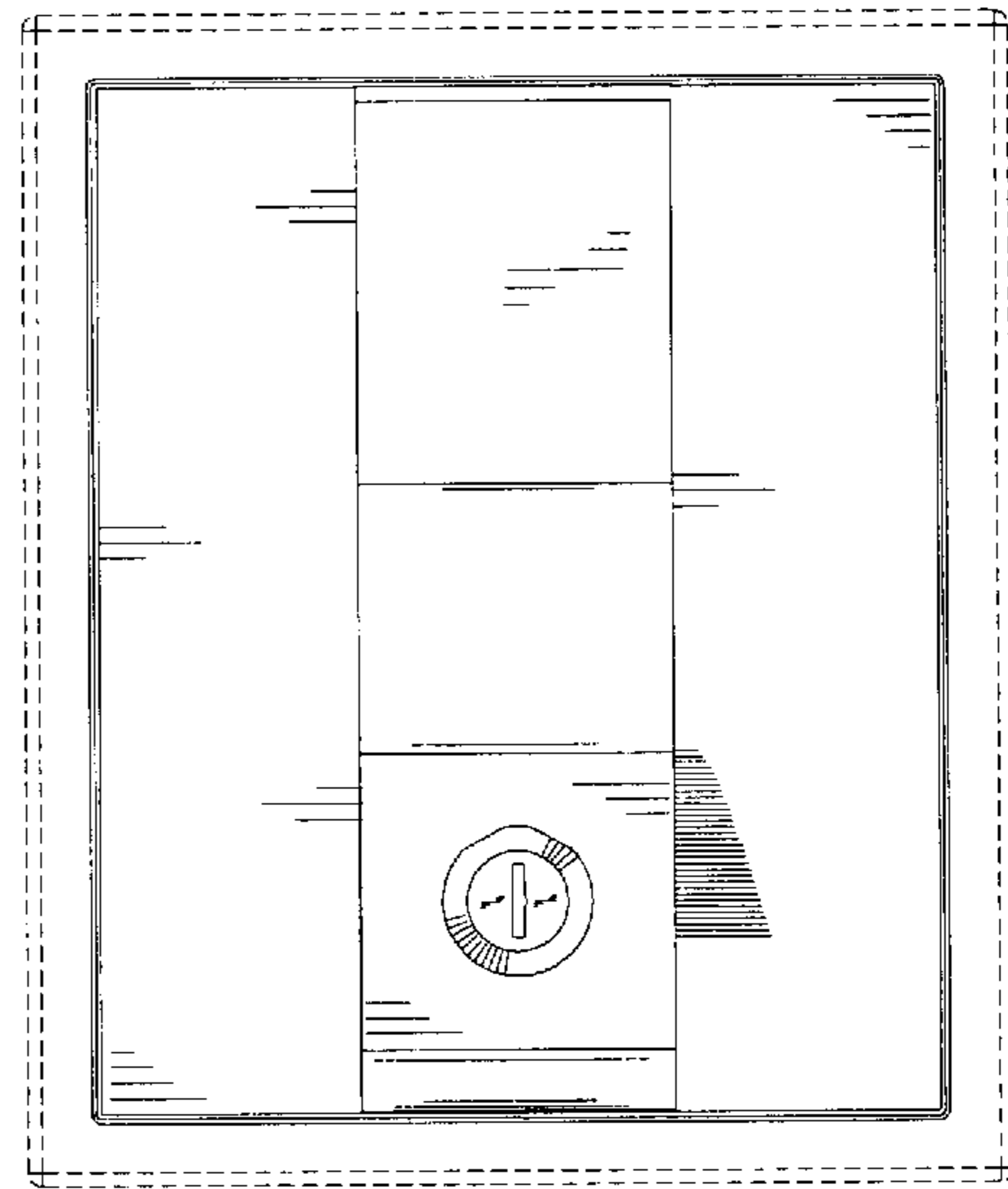


FIG. 7

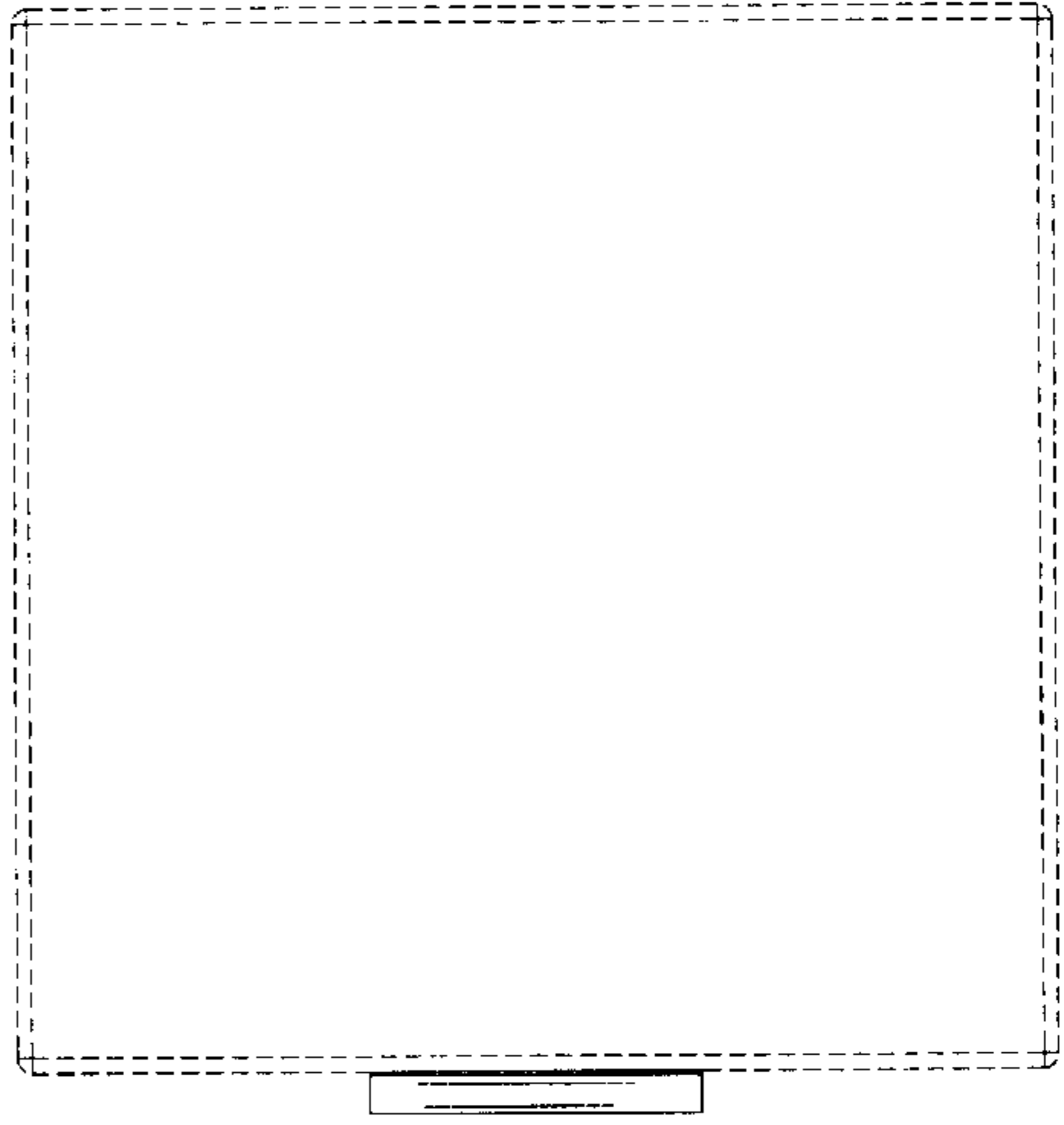


FIG. 8

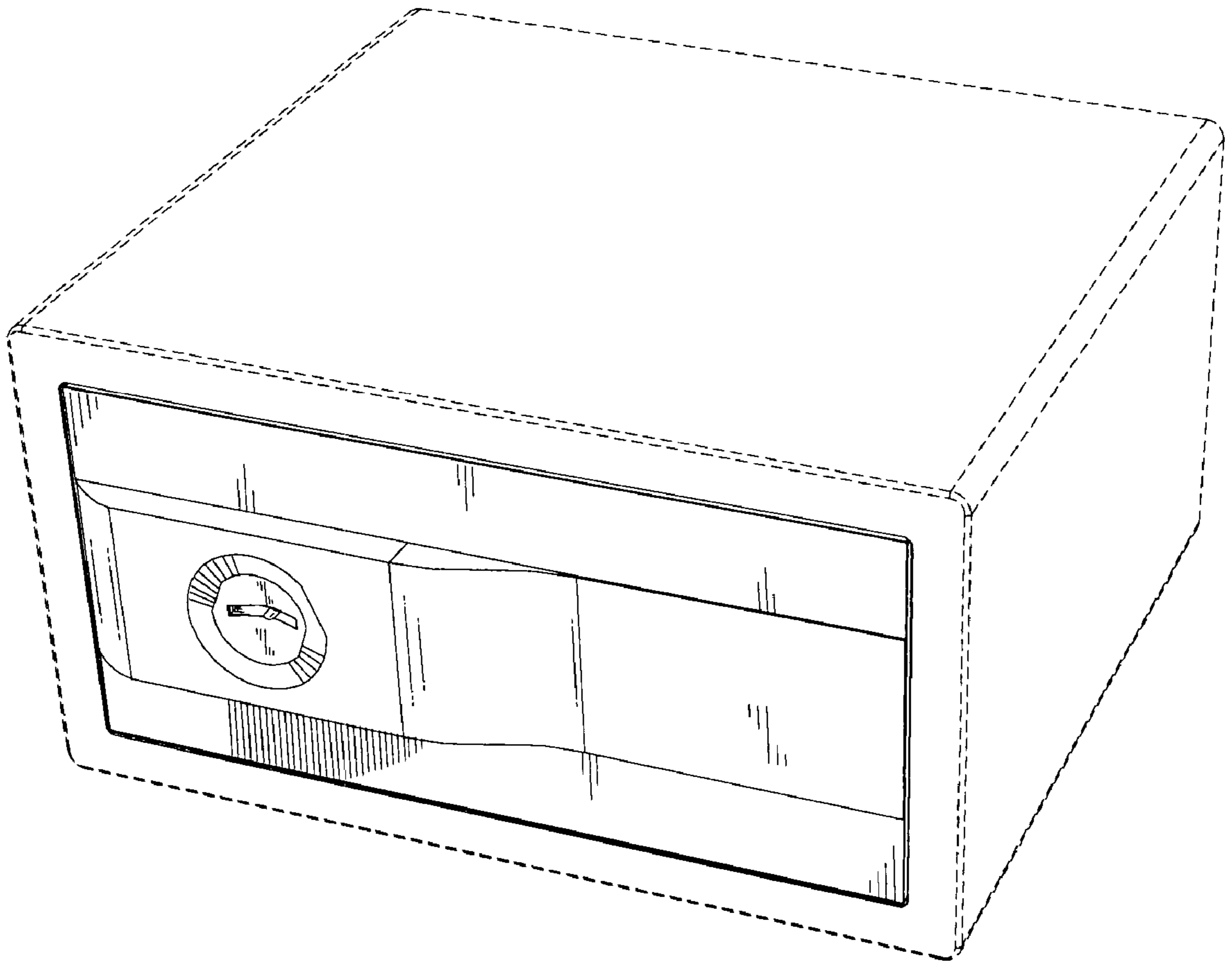


FIG. 9

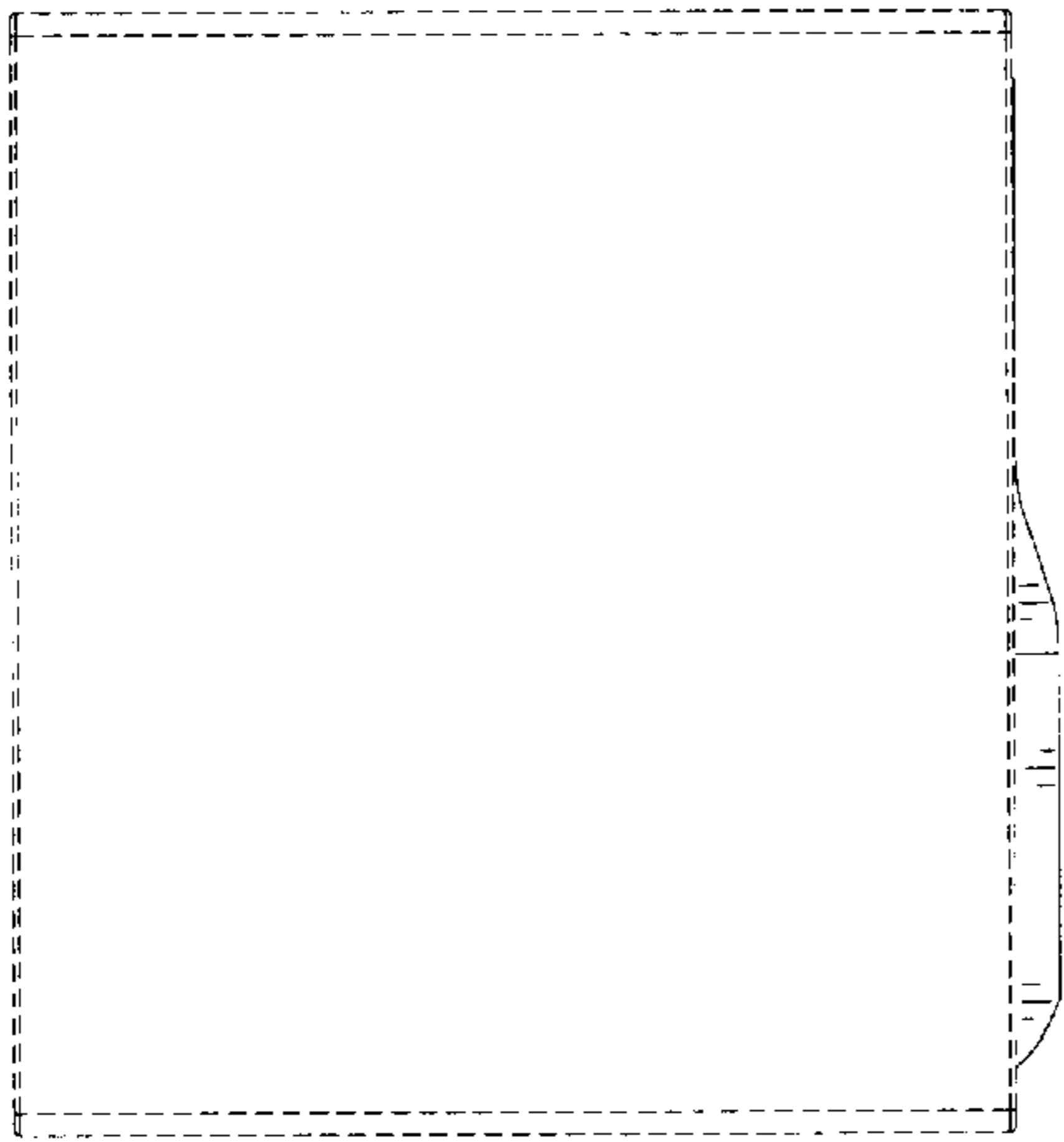


FIG. 10

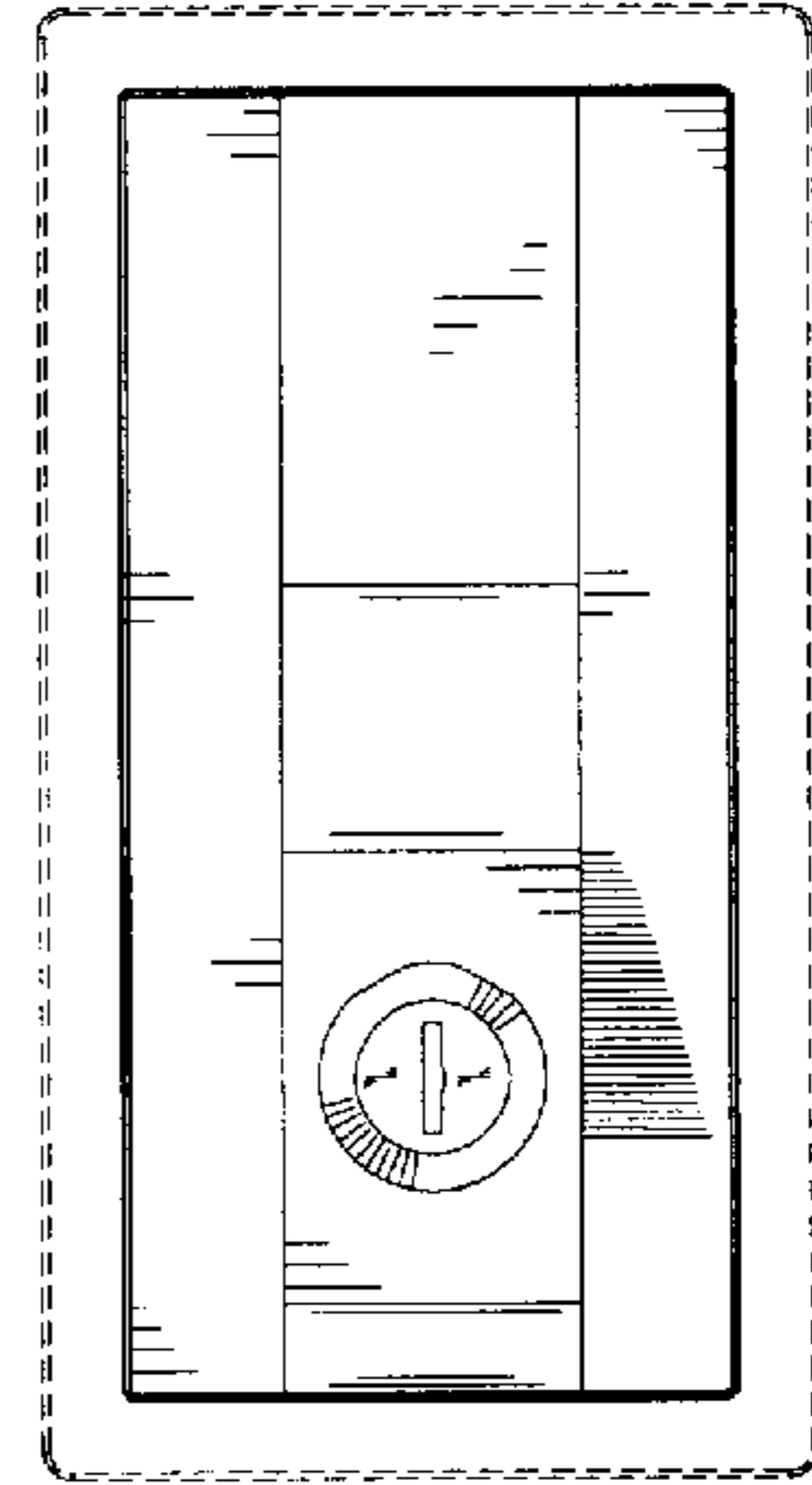


FIG. 11

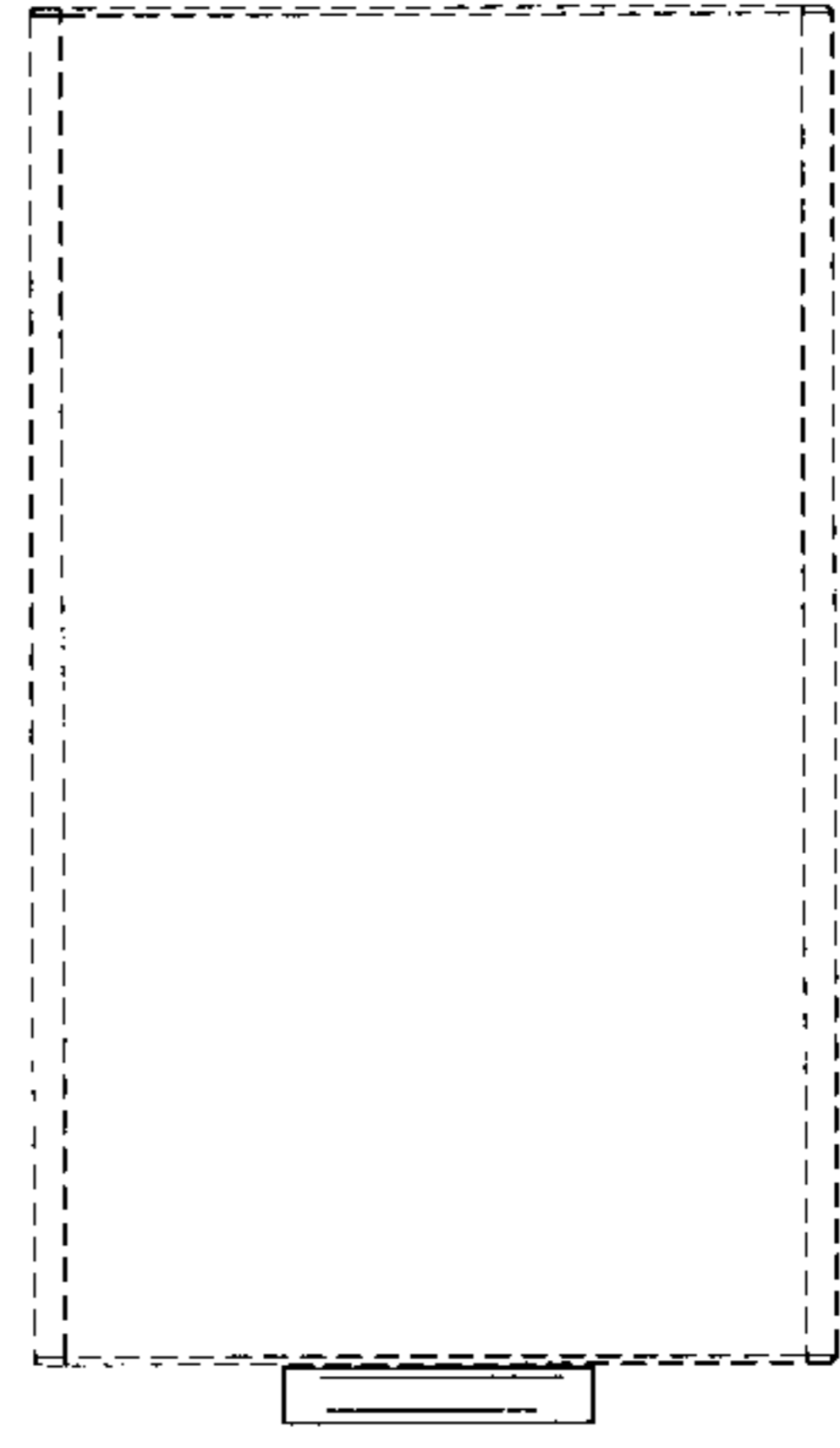


FIG. 12