



US00D485413S

(12) **United States Design Patent**
Yamamoto et al.

(10) **Patent No.:** **US D485,413 S**

(45) **Date of Patent:** **** Jan. 13, 2004**

(54) **PALLET FOR TRANSPORTING SHEET GLASS**

(75) **Inventors:** **Takashi Yamamoto**, Osaka (JP);
Katsumi Haishima, Osaka (JP);
Takaya Motoki, Hino (JP); **Takashi Fujiya**, Kumagaya (JP)

(73) **Assignee:** **Nippon Sheet Glass Co., Ltd.**, Osaka (JP)

(**) **Term:** **14 Years**

(21) **Appl. No.:** **29/172,852**

(22) **Filed:** **Dec. 19, 2002**

(30) **Foreign Application Priority Data**

Jun. 20, 2002 (JP) 2002-016597

(51) **LOC (7) Cl.** **09-08**

(52) **U.S. Cl.** **D34/38**

(58) **Field of Search** D34/38; 108/51.11,
108/53.1, 56.1, 51.14, 55.3, 53.3, 55.1,
51.1, 53.5; 211/41.14

(56) **References Cited**

U.S. PATENT DOCUMENTS

D240,212 S	*	6/1976	Zinna	D34/38
4,571,141 A	*	2/1986	Gieson	414/416.12
4,815,601 A	*	3/1989	Peterson et al.	206/454
4,899,891 A	*	2/1990	Sipila et al.	211/41.14
4,976,092 A	*	12/1990	Shuert	53/475
5,505,574 A	*	4/1996	Piazza	414/267
D376,889 S	*	12/1996	Pilla	D34/38
5,641,076 A	*	6/1997	Englund	211/41.14
5,657,887 A	*	8/1997	Smith	211/189
5,676,066 A	*	10/1997	Cavalier et al.	108/55.1

D402,037 S	*	12/1998	Hofstad	D34/38
5,860,539 A	*	1/1999	Brown	211/183
5,884,778 A	*	3/1999	Freiheit	211/41.14
5,906,282 A	*	5/1999	Aldrich et al.	211/41.14
D426,693 S	*	6/2000	Thomsen	D34/38
D441,166 S	*	4/2001	Bowman et al.	D34/38
D442,758 S	*	5/2001	Bowman et al.	D34/38
D442,759 S	*	5/2001	Bowman et al.	D34/38
6,247,601 B1	*	6/2001	Norton et al.	211/41.14
6,279,763 B1	*	8/2001	Bush	211/195
6,568,636 B2	*	5/2003	Fitzgerald et al.	244/118.1

* cited by examiner

Primary Examiner—Cynthia E. Ramirez

(74) *Attorney, Agent, or Firm*—Armstrong, Kratz, Quintos, Hanson & Brooks, LLP

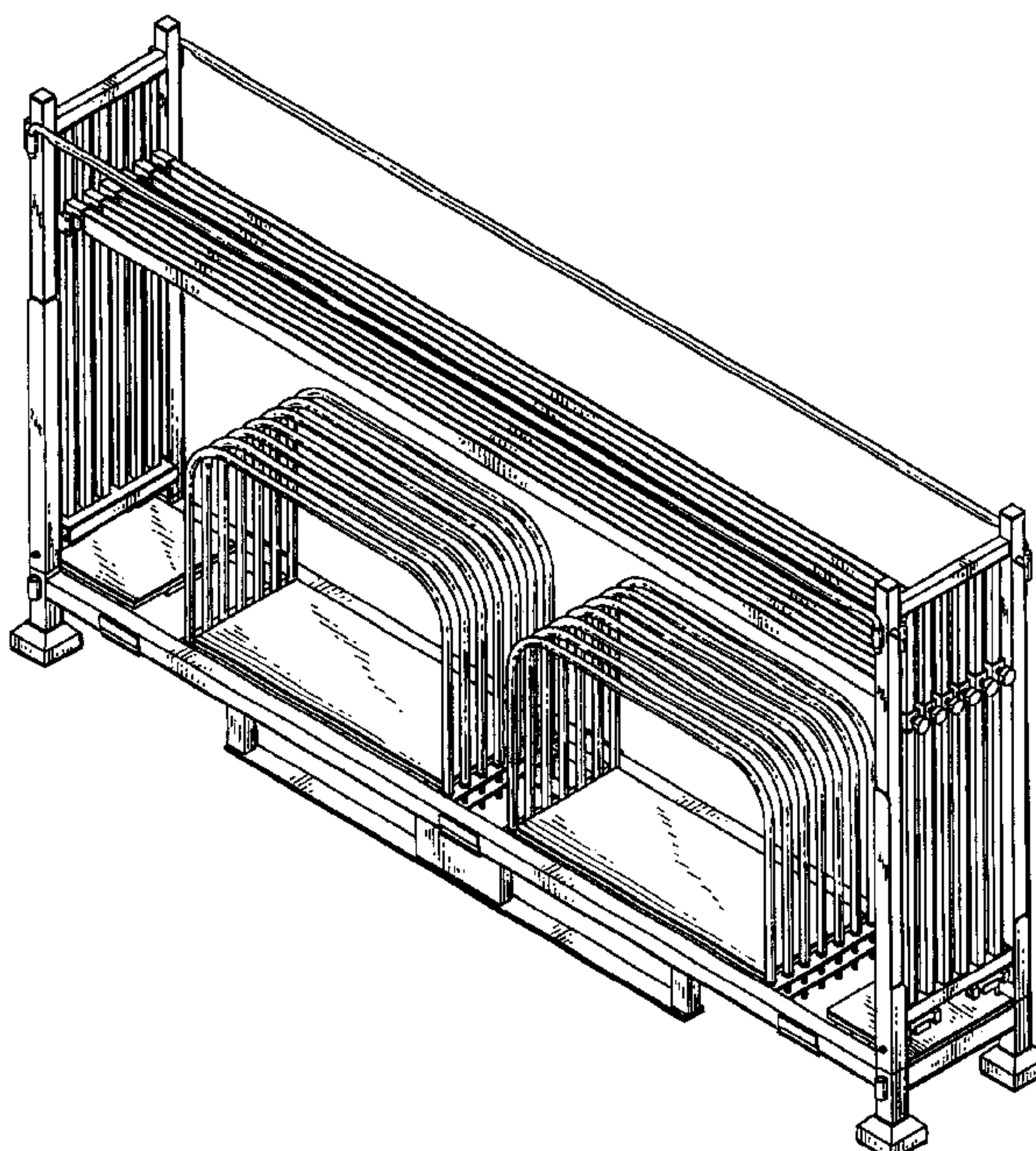
(57) **CLAIM**

The ornamental design for a pallet for transporting sheet glass, as shown and described.

DESCRIPTION

FIG. 1 is a front elevational view of a pallet for transporting sheet glass showing our new ornamental design;
 FIG. 2 is a rear elevational view thereof;
 FIG. 3 is a top plan view thereof;
 FIG. 4 is a bottom view thereof;
 FIG. 5 is a left-side elevational view thereof;
 FIG. 6 is a right-side elevational view thereof;
 FIG. 7 is a perspective view thereof;
 FIG. 8 is a referential perspective view showing the article in use; and,
 FIG. 9 is an exploded perspective view thereof.
 The broken line showing of glass in FIG. 8 is for illustrative purposes only and forms no part of the claimed design.

1 Claim, 6 Drawing Sheets



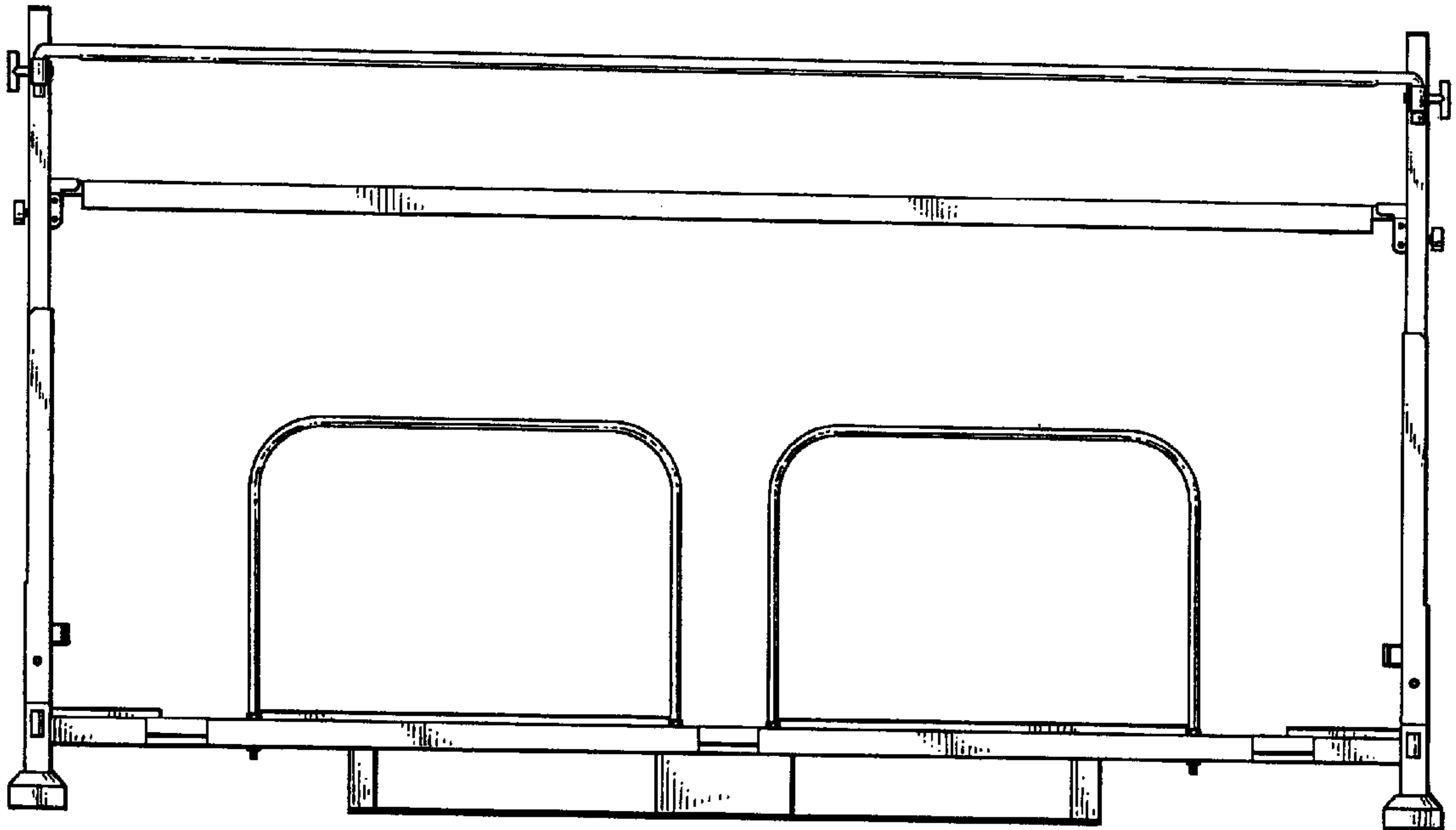


FIG. 1

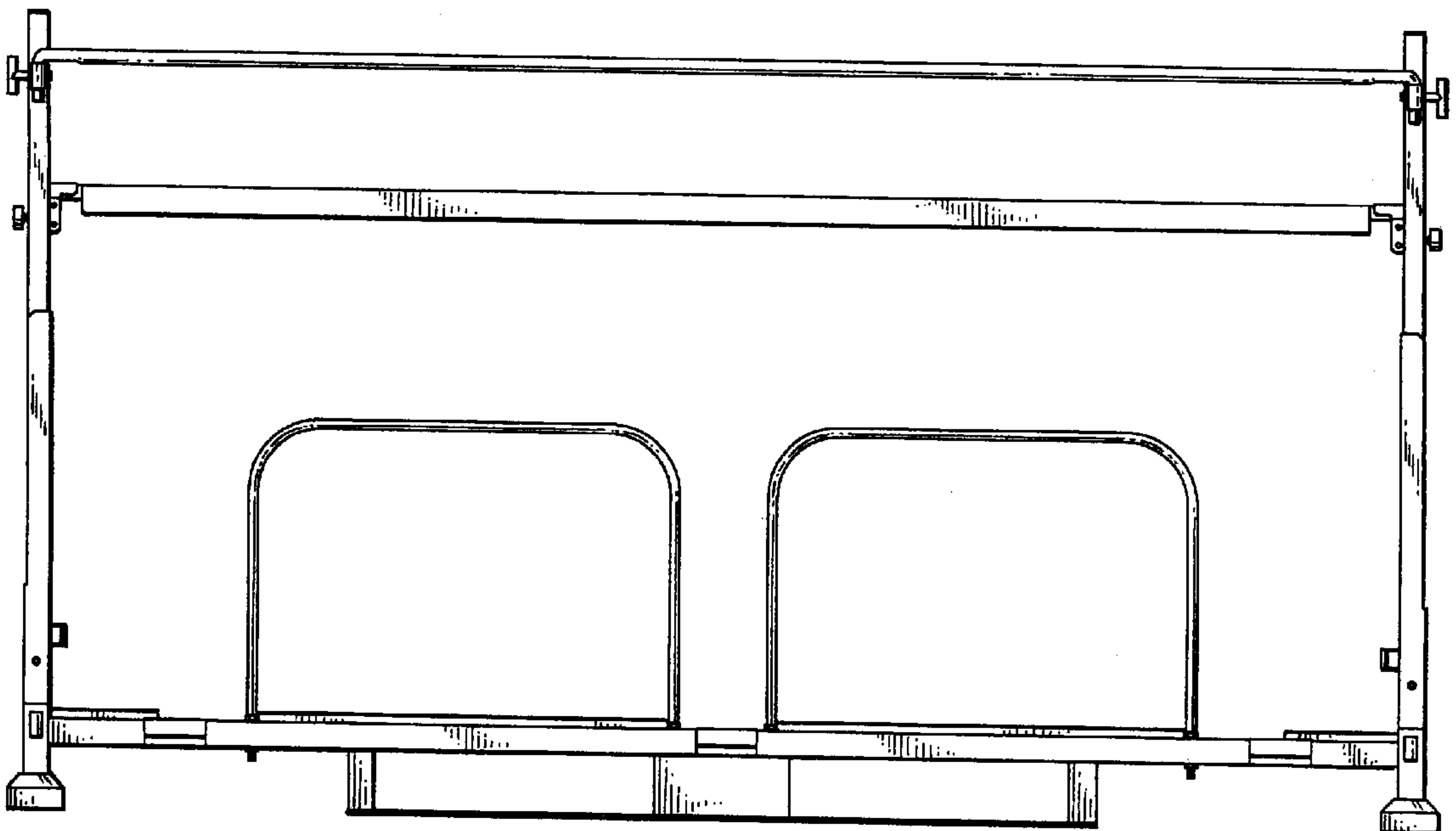


FIG. 2

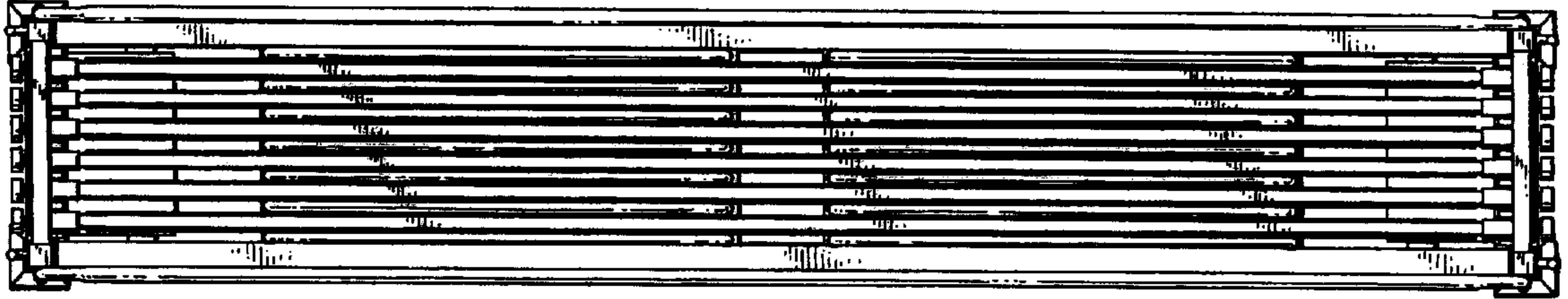


FIG. 3

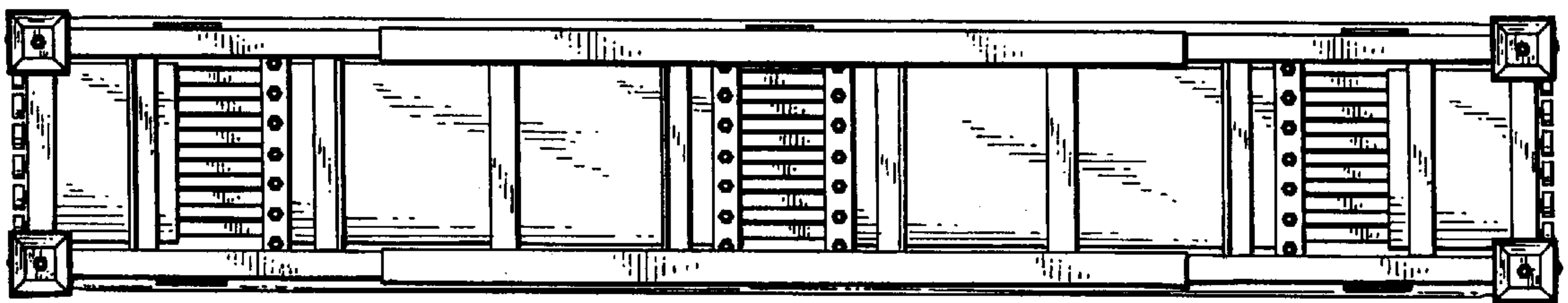


FIG. 4

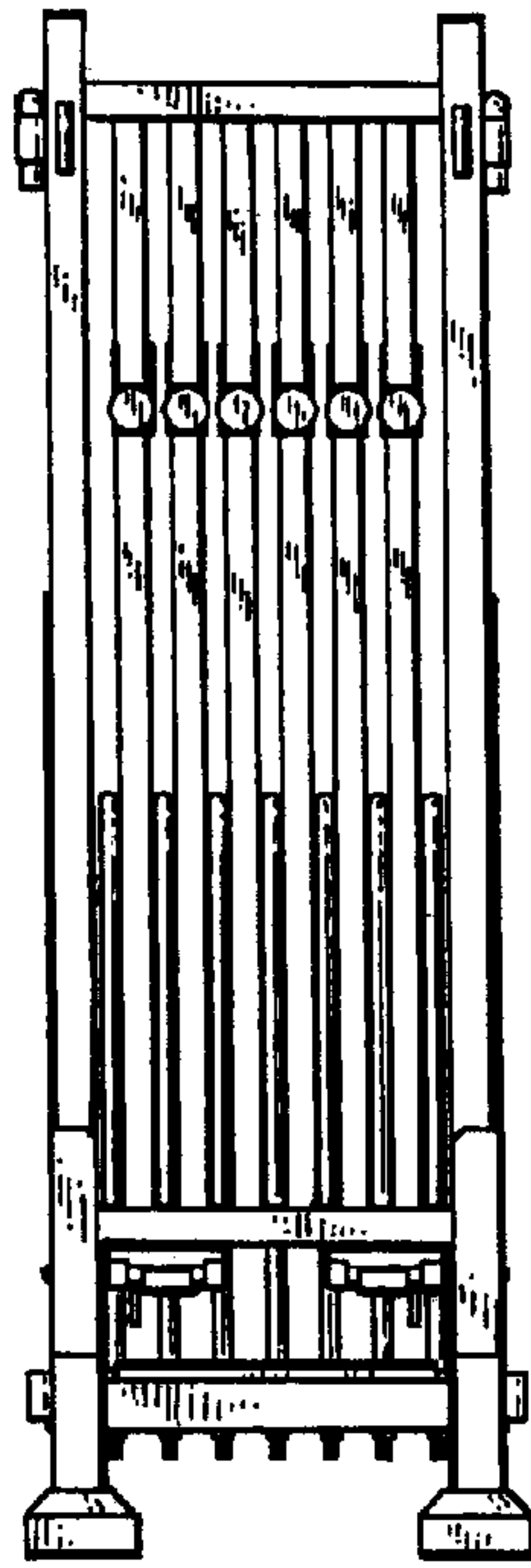


FIG. 5

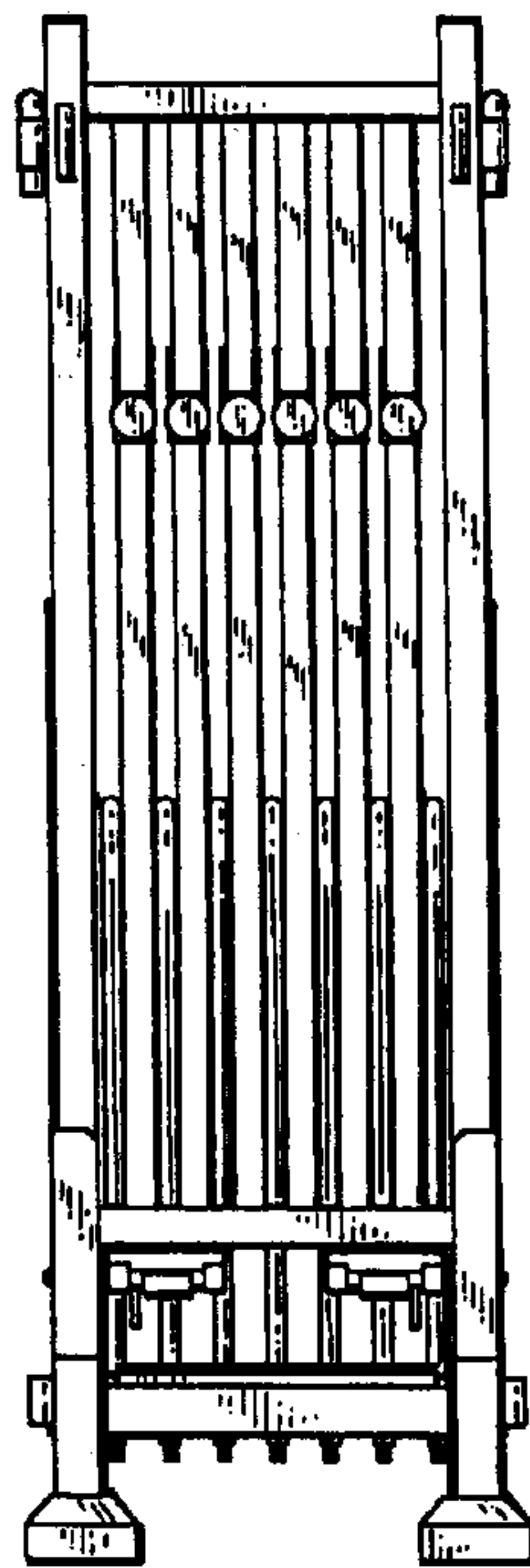


FIG. 6

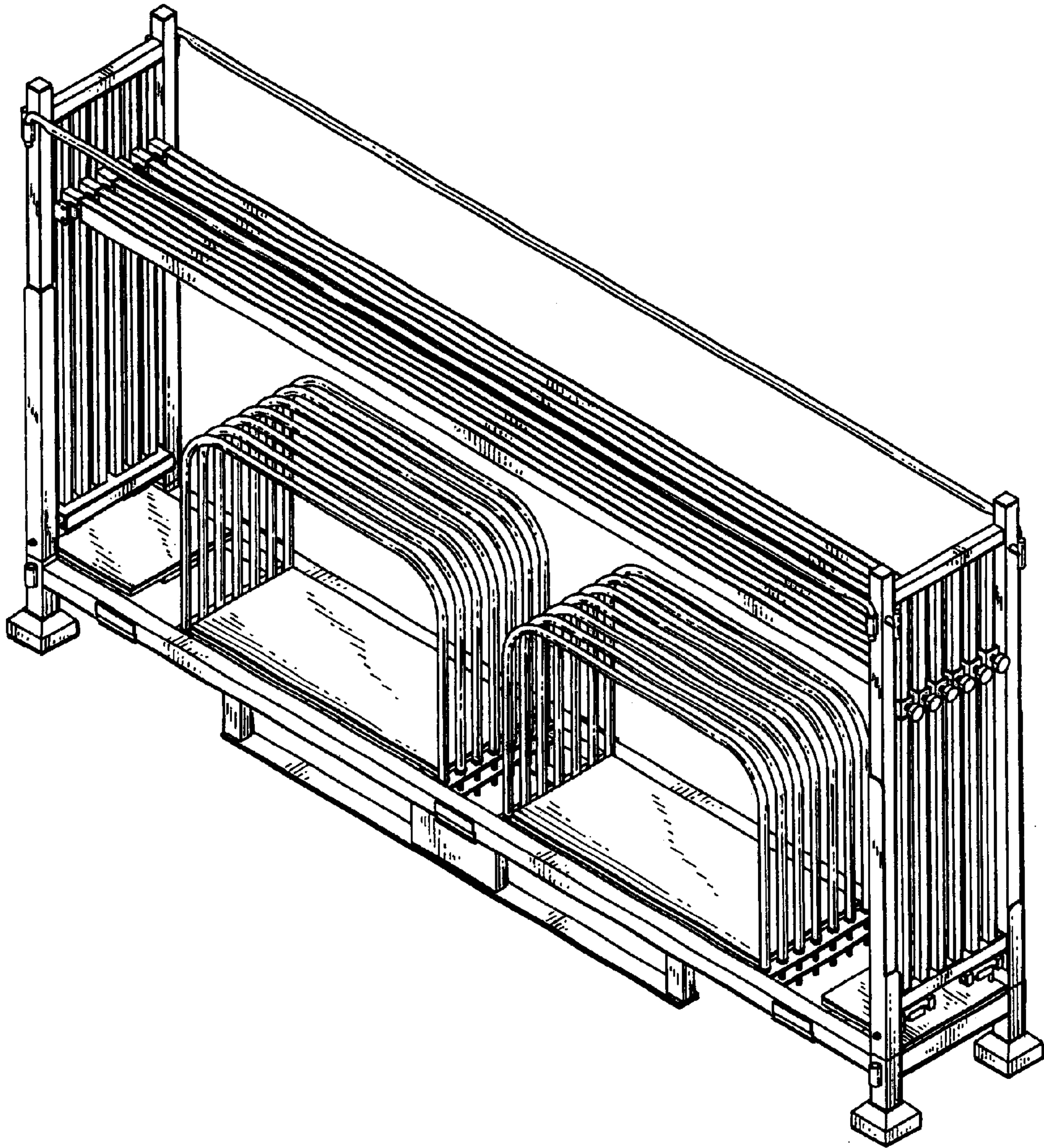


FIG. 7

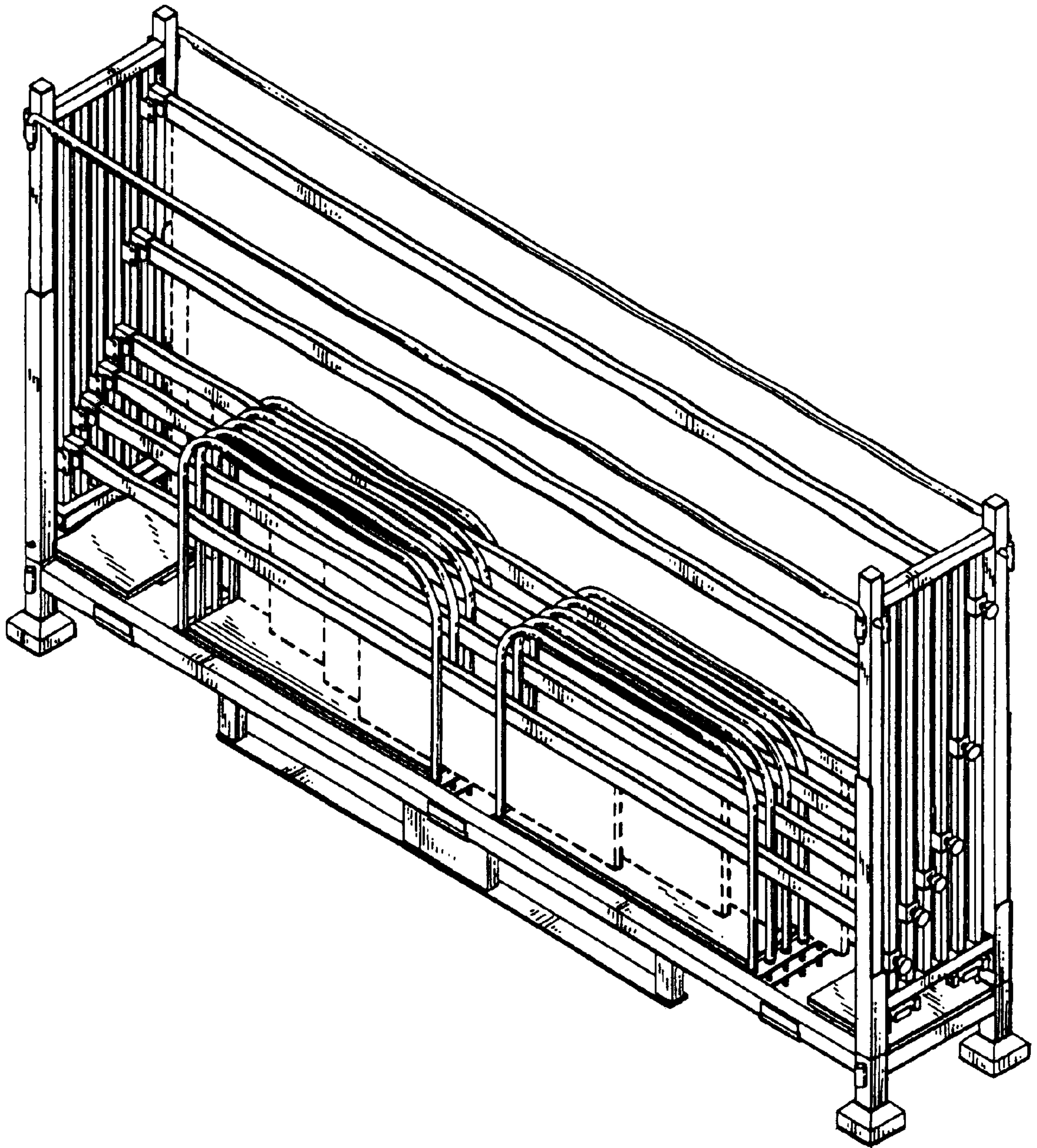


FIG. 8

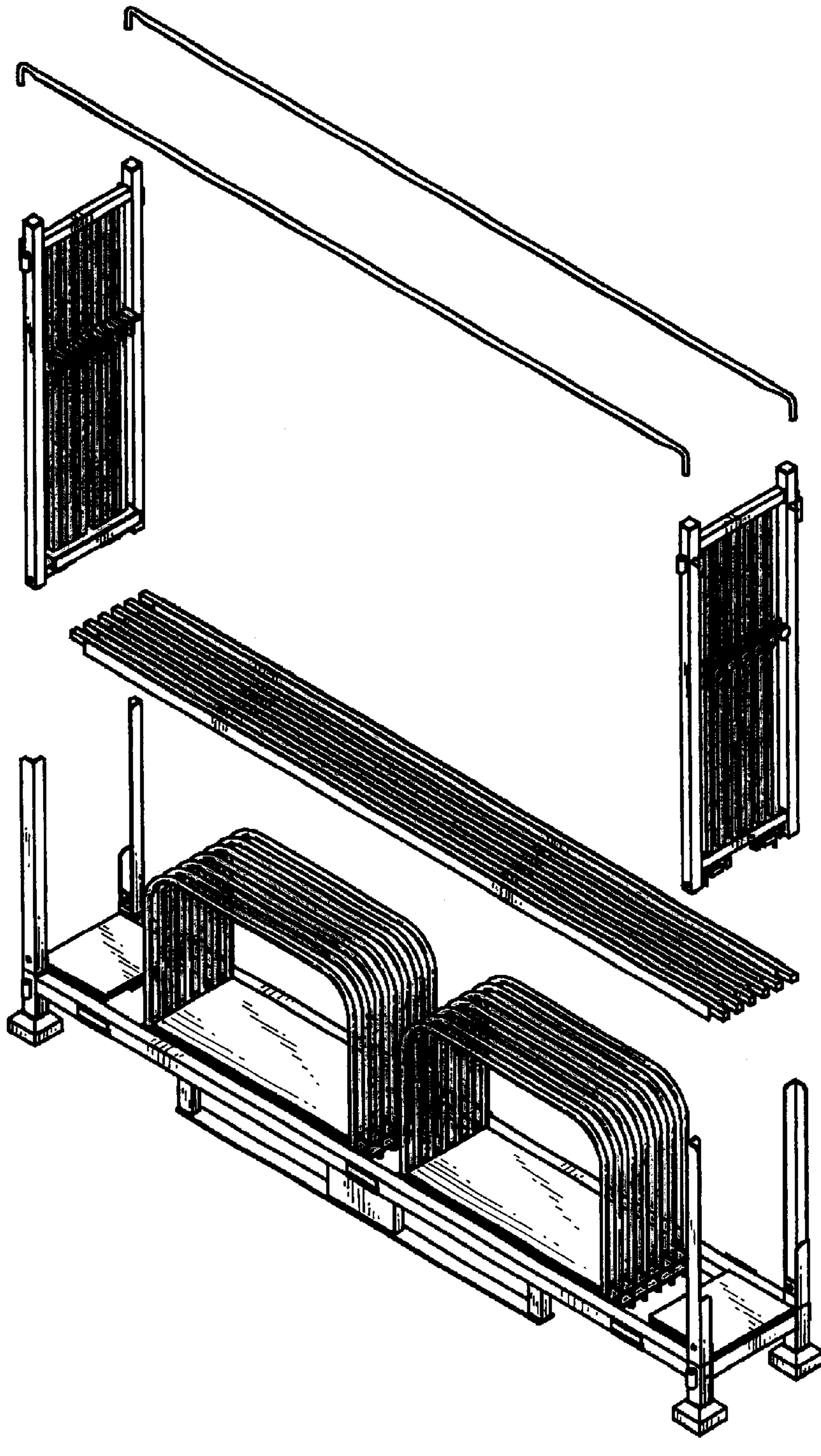


FIG. 9