



US00D485412S

(12) **United States Design Patent**  
**Hung**

(10) **Patent No.:** **US D485,412 S**

(45) **Date of Patent:** **\*\* Jan. 13, 2004**

- (54) **JACK**
- (75) Inventor: **Victor Hung, Tao Yuan (TW)**
- (73) Assignee: **Shinn Fu Corporation, Tao Yuan (TW)**
- (\*\*) Term: **14 Years**
- (21) Appl. No.: **29/170,832**
- (22) Filed: **Nov. 14, 2002**
- (51) **LOC (7) Cl.** ..... **12-05**
- (52) **U.S. Cl.** ..... **D34/31**
- (58) **Field of Search** ..... **D34/31, 28; 254/8 B,**  
**254/93 H, 84.11, 2 B, DIG. 3**

- D364,026 S \* 11/1995 Hung ..... D34/31
- 5,551,668 A \* 9/1996 Hung ..... 254/8 B
- D388,926 S \* 1/1998 Sorensen ..... D34/31
- D398,730 S \* 9/1998 Lin ..... D34/31
- D421,516 S \* 3/2000 Hung ..... D34/31
- D423,750 S \* 4/2000 Hung ..... D34/31
- D442,345 S \* 5/2001 Lee et al. .... D34/31
- D444,606 S \* 7/2001 Hsu ..... D34/31
- 6,264,169 B1 \* 7/2001 Hung ..... 254/8 B
- D452,597 S \* 12/2001 Hung ..... D34/31
- D453,983 S \* 2/2002 Lin ..... D34/31
- D454,419 S \* 3/2002 Lee et al. .... D34/31
- 6,357,724 B1 \* 3/2002 Hung ..... 254/8 B
- 6,375,160 B1 \* 4/2002 Hung ..... 254/8 B
- 6,505,816 B1 \* 1/2003 Hung ..... 254/8 B

\* cited by examiner

(56) **References Cited**

**U.S. PATENT DOCUMENTS**

- 4,018,421 A \* 4/1977 Tallman ..... 254/8 B
- 4,131,263 A \* 12/1978 John ..... 254/8 B
- D253,696 S \* 12/1979 Suzuki ..... D34/31
- 4,241,899 A \* 12/1980 Kaneko ..... 254/8 B
- 4,277,048 A \* 7/1981 Okuda ..... 254/8 B
- D272,670 S \* 2/1984 Tsujimura ..... D34/31
- D284,417 S \* 6/1986 Yamagishi ..... D34/31
- D285,138 S \* 8/1986 Yamagishi ..... D34/31
- D296,598 S \* 7/1988 Hung ..... D34/31
- 4,765,593 A \* 8/1988 Hung ..... 254/8 B
- 4,964,617 A \* 10/1990 Lawrence ..... 254/8 B
- 5,201,494 A \* 4/1993 Lundman ..... 254/8 B
- 5,221,073 A \* 6/1993 Shockley ..... 254/8 B
- D358,923 S \* 5/1995 Hawkins ..... D34/31
- 5,431,369 A \* 7/1995 Hung ..... 254/8 B

*Primary Examiner*—Cynthia E. Ramirez  
(74) *Attorney, Agent, or Firm*—Bacon & Thomas

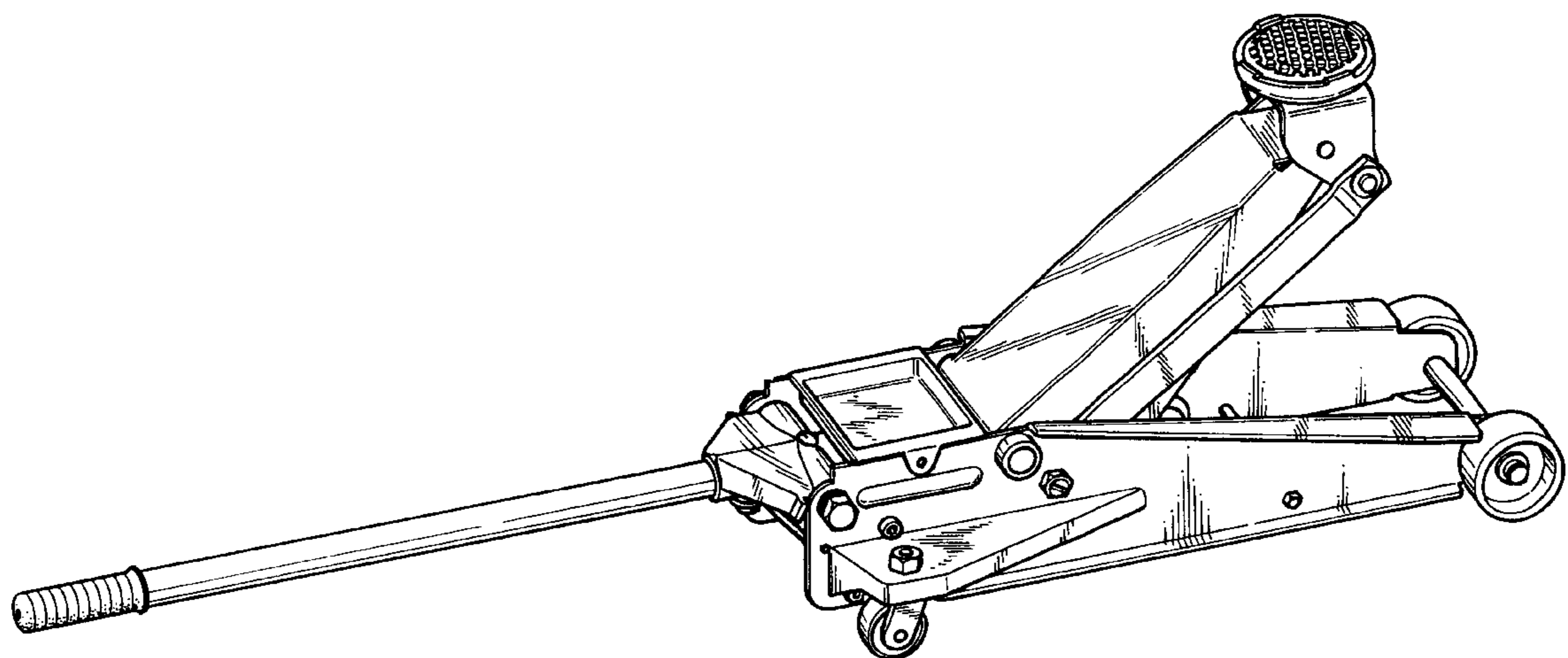
(57) **CLAIM**

The ornamental design for a jack, as shown and described.

**DESCRIPTION**

FIG. 1 is a left side perspective view of a jack showing my new design;  
FIG. 2 is a front view thereof;  
FIG. 3 is a rear view thereof;  
FIG. 4 is a left side view thereof;  
FIG. 5 is a right side view thereof;  
FIG. 6 is a top view thereof; and,  
FIG. 7 is a bottom view thereof.

**1 Claim, 6 Drawing Sheets**



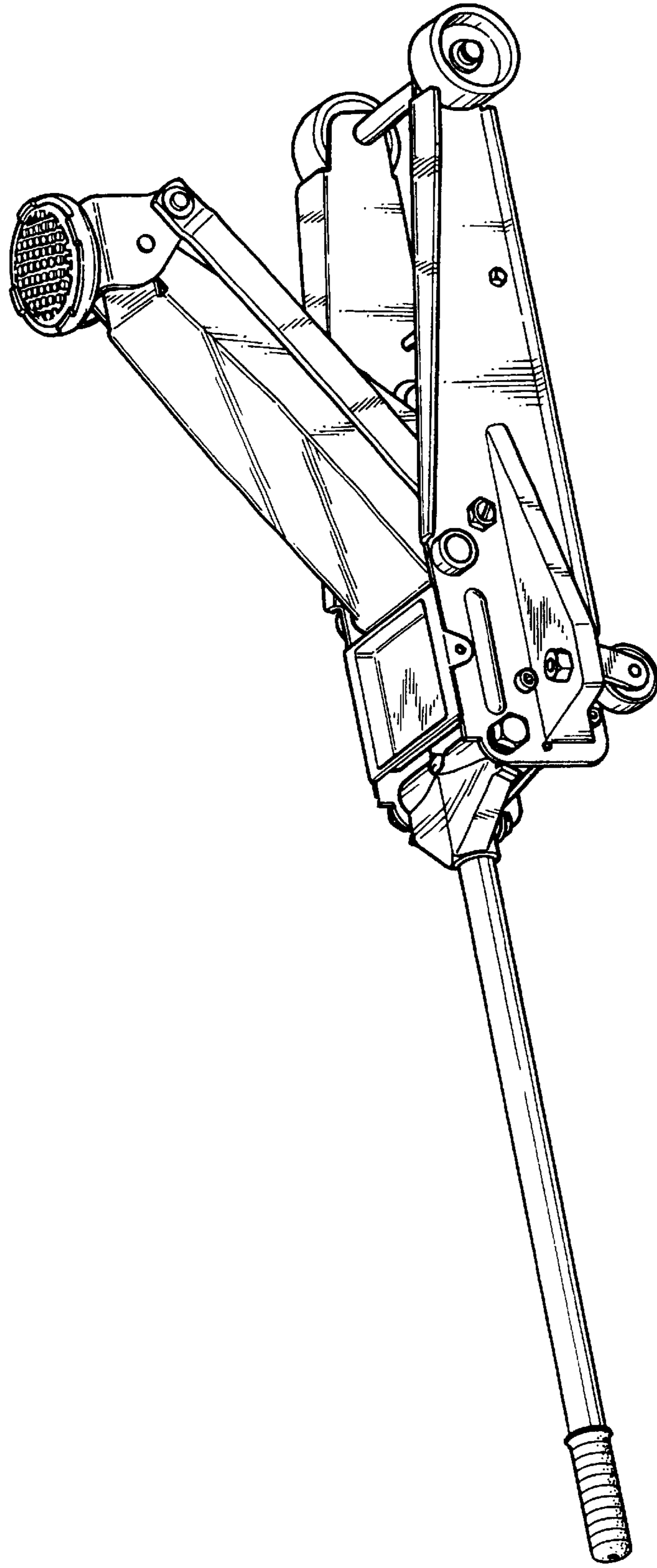


FIG.1

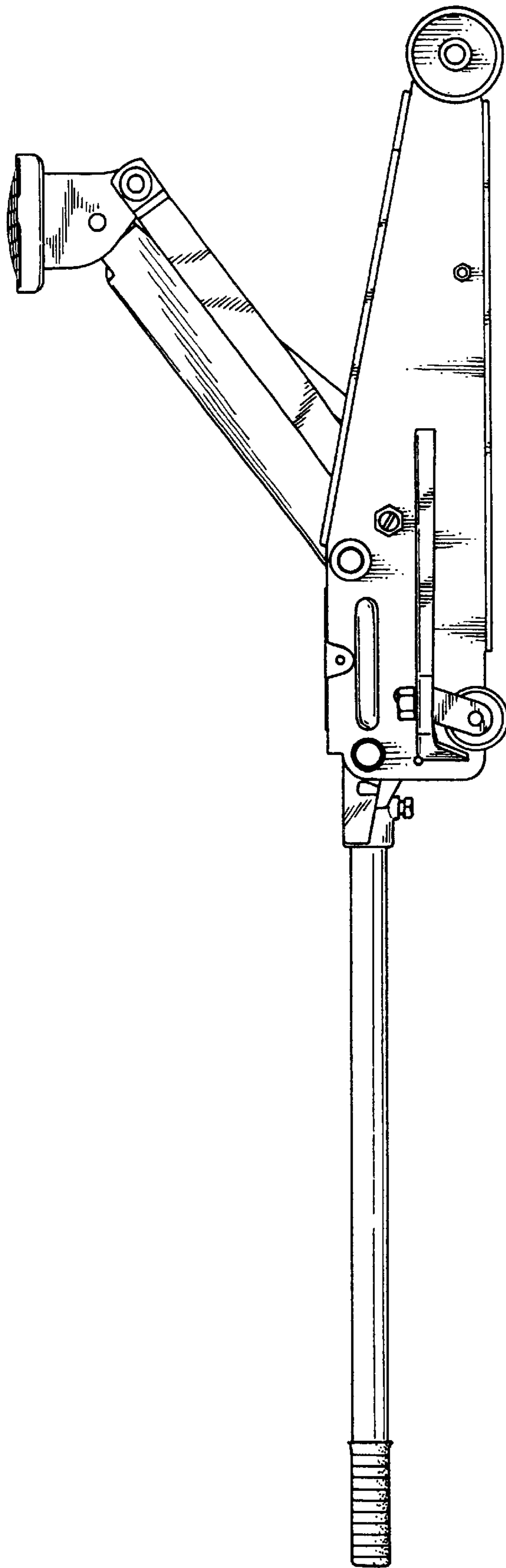


FIG.2

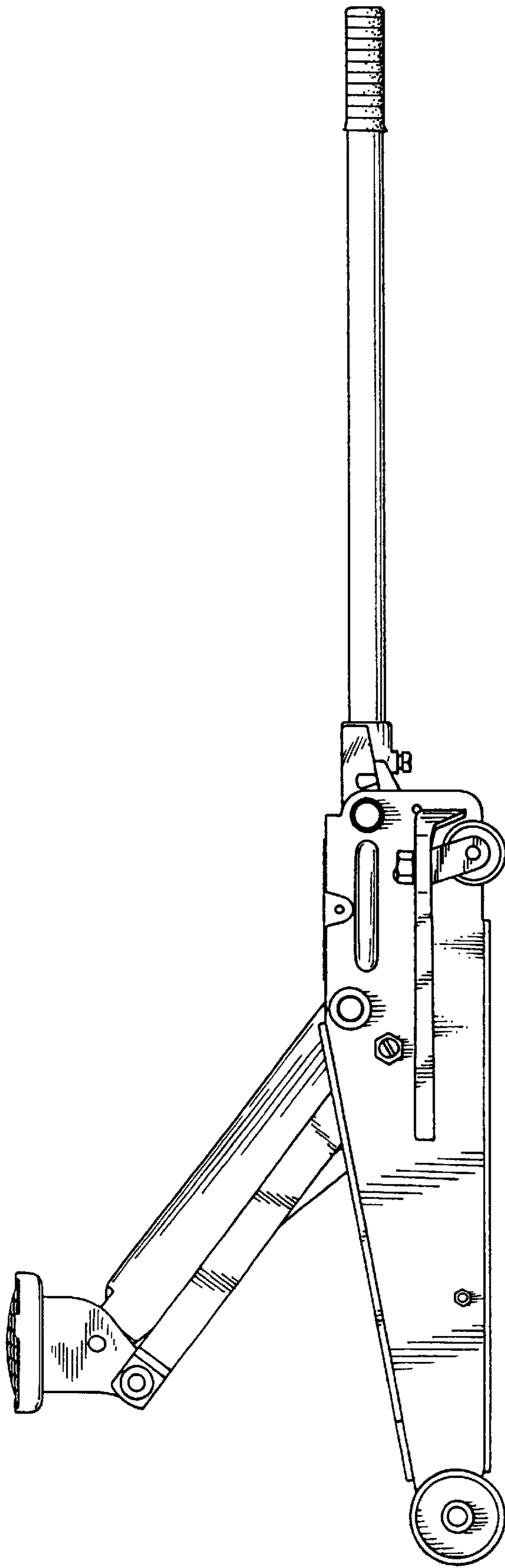
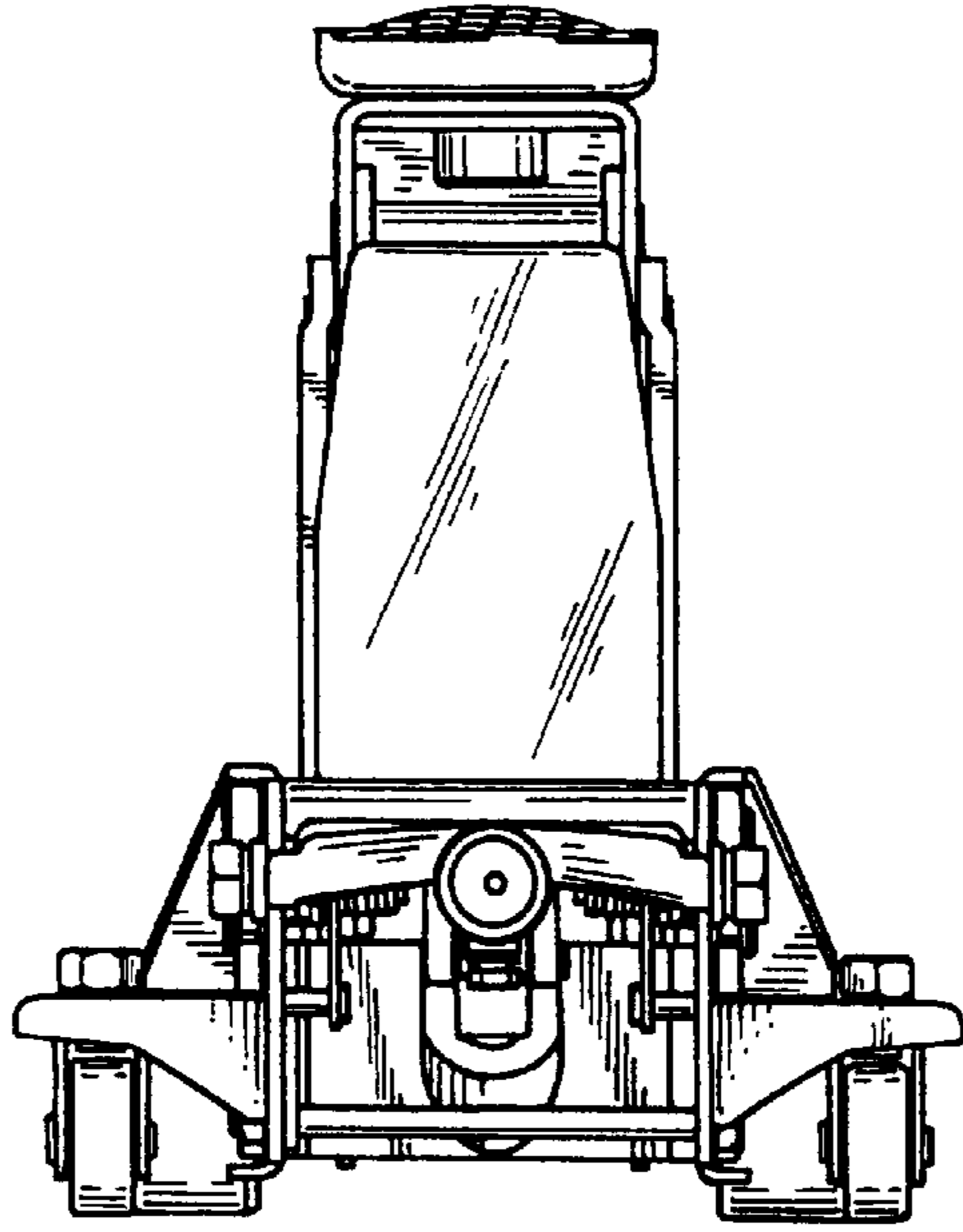
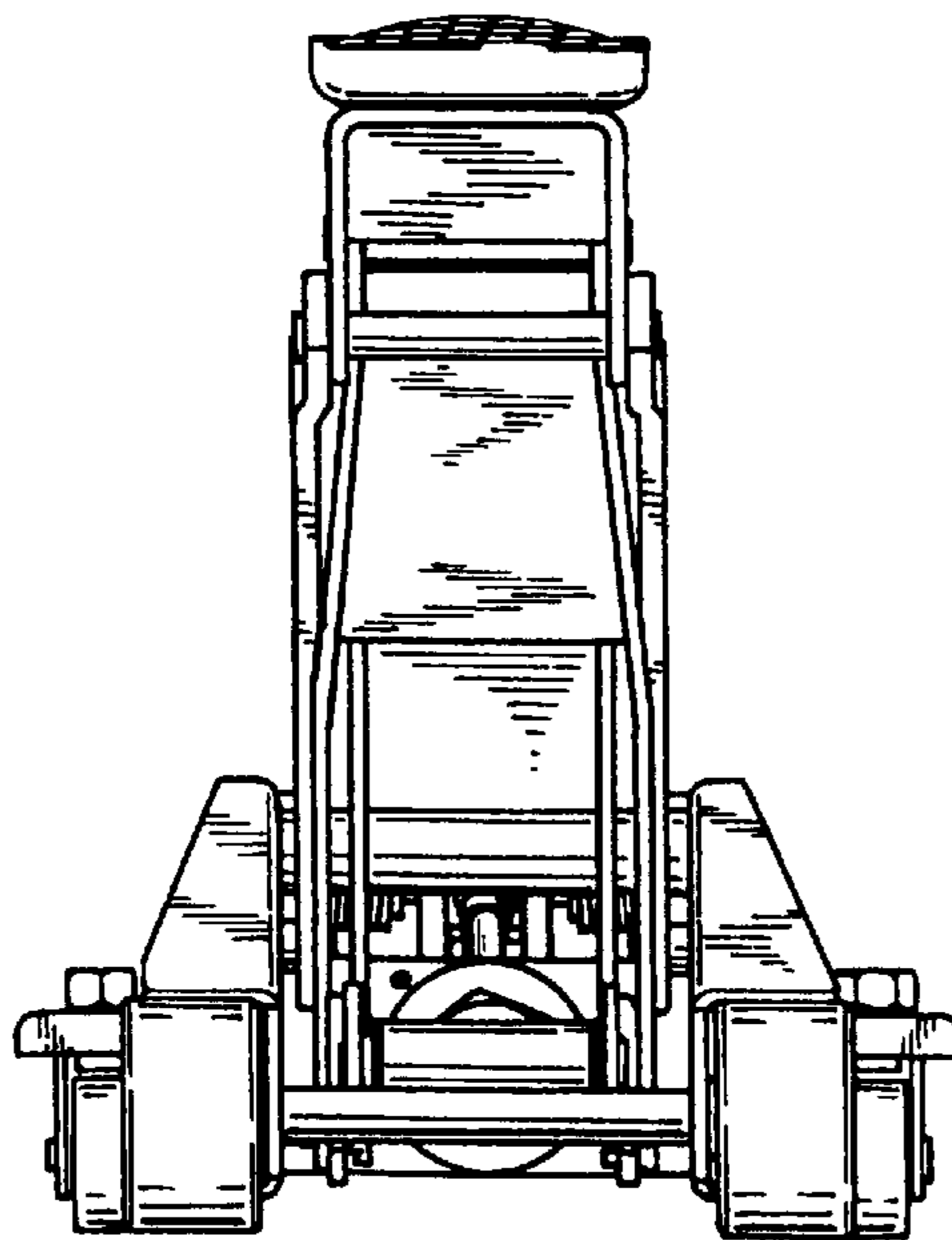


FIG.3



**FIG. 4**



**FIG. 5**

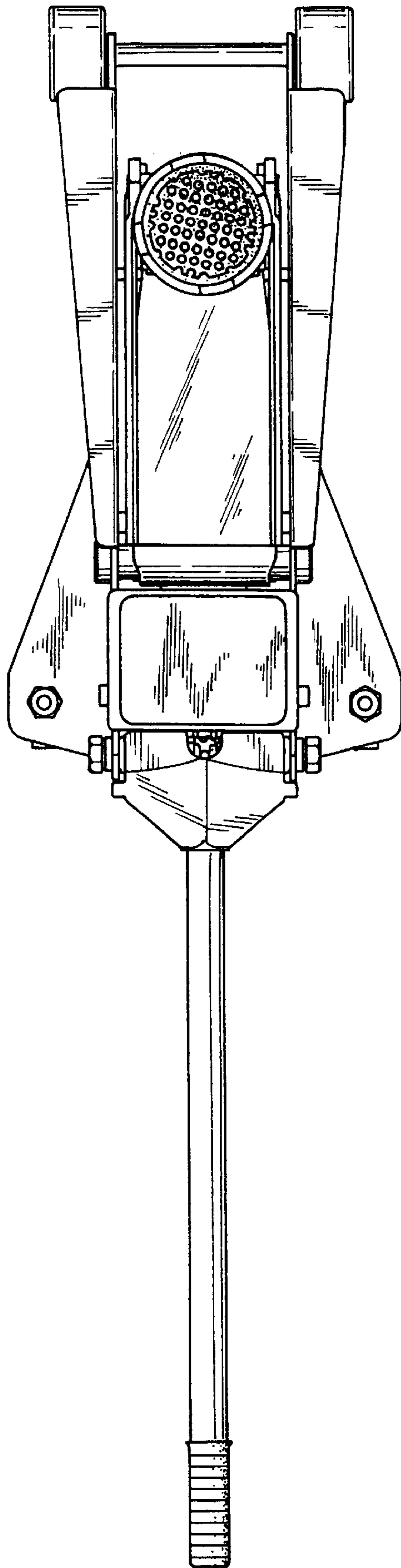


FIG.6

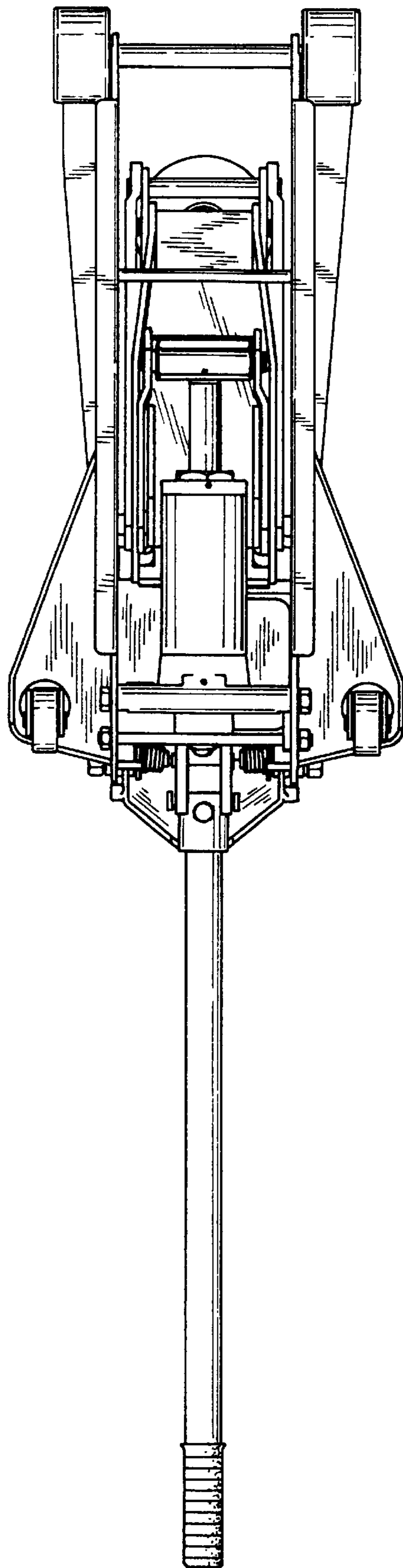


FIG.7