



US00D485409S

(12) **United States Design Patent**
Cannan

(10) **Patent No.:** **US D485,409 S**

(45) **Date of Patent:** **** Jan. 13, 2004**

(54) **PRODUCT DISPLAY AND VENDING CART**

D469,234 S * 1/2003 Bond et al. D34/14
6,603,098 B2 * 8/2003 Reddy et al. 219/400

(76) Inventor: **John Cannan**, 5224 Fair Elms Ave.,
Western Springs, IL (US) 60558

FOREIGN PATENT DOCUMENTS

(**) Term: **14 Years**

WO WO 01/91622 * 12/2001

(21) Appl. No.: **29/176,677**

* cited by examiner

(22) Filed: **Feb. 25, 2003**

Primary Examiner—Kay H. Chin
(74) *Attorney, Agent, or Firm*—Baker Donelson

Related U.S. Application Data

(57) **CLAIM**

(63) Continuation-in-part of application No. 29/156,394, filed on
Feb. 28, 2002.

The ornamental design for a product display and vending
cart, as shown and described.

(51) **LOC (7) Cl.** **12-02**

DESCRIPTION

(52) **U.S. Cl.** **D34/14**

(58) **Field of Search** D34/12-27; 126/8,
126/33, 268, 276; 108/26, 118; 219/214;
312/236

FIG. 1 is a front and right side perspective view of a product
display and vending cart showing my new design, the
broken lines are for illustrative purposes only and form no
part of the claimed design;

(56) **References Cited**

U.S. PATENT DOCUMENTS

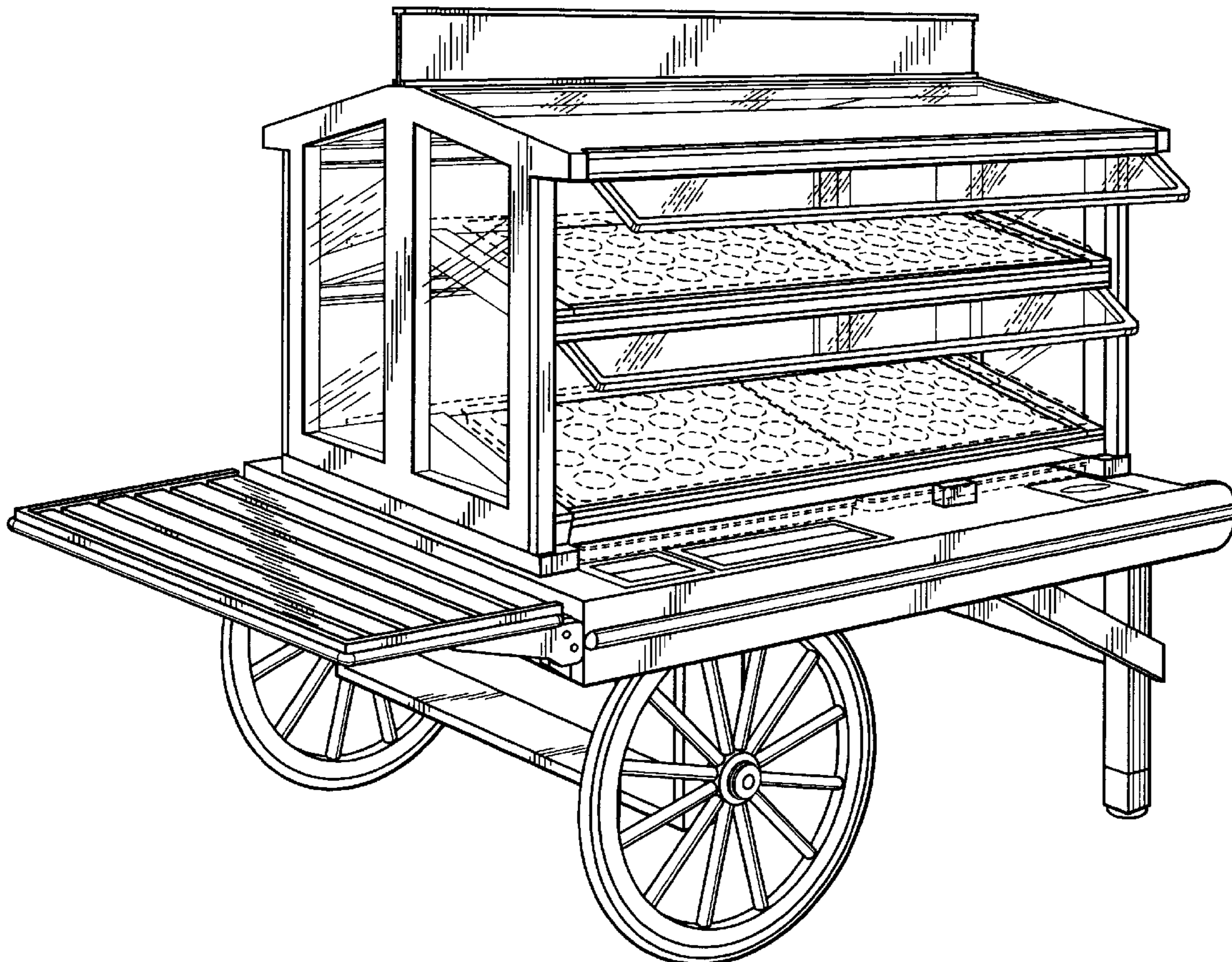
- 1,962,454 A * 6/1934 Meanor et al. 126/268
- 3,512,826 A * 5/1970 Hahn 296/22
- D398,432 S * 9/1998 Yerkes D34/20
- D443,745 S * 6/2001 Mount D34/14
- D460,596 S * 7/2002 Bond et al. D34/14

FIG. 2 is a top plan view thereof;

FIG. 3 is a rear elevation view thereof; and,

FIG. 4 is a right side elevation view thereof, additionally
showing the end rack in lowered position in broken line
illustration, the left side view being a mirror image of that
shown.

1 Claim, 3 Drawing Sheets



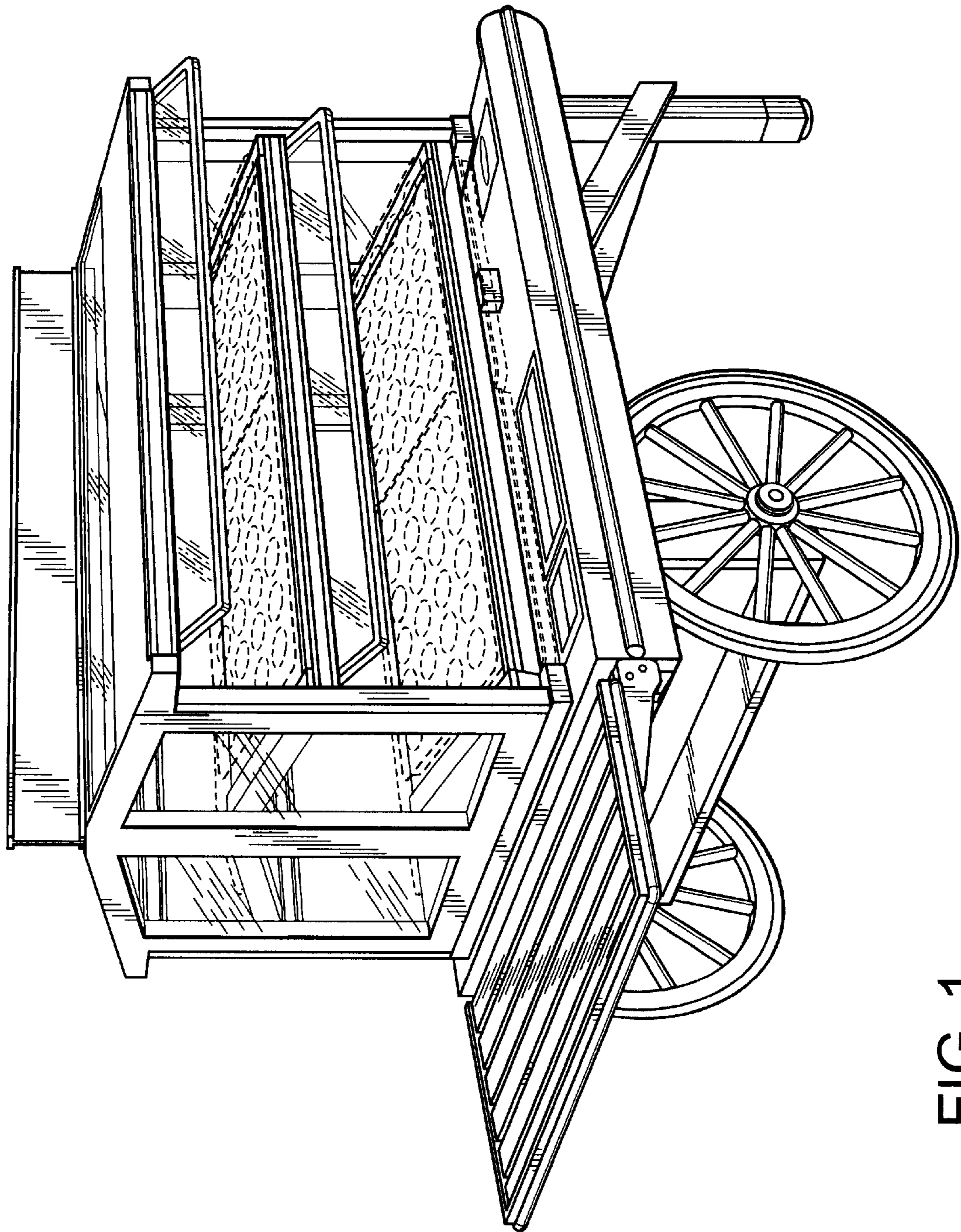


FIG. 1

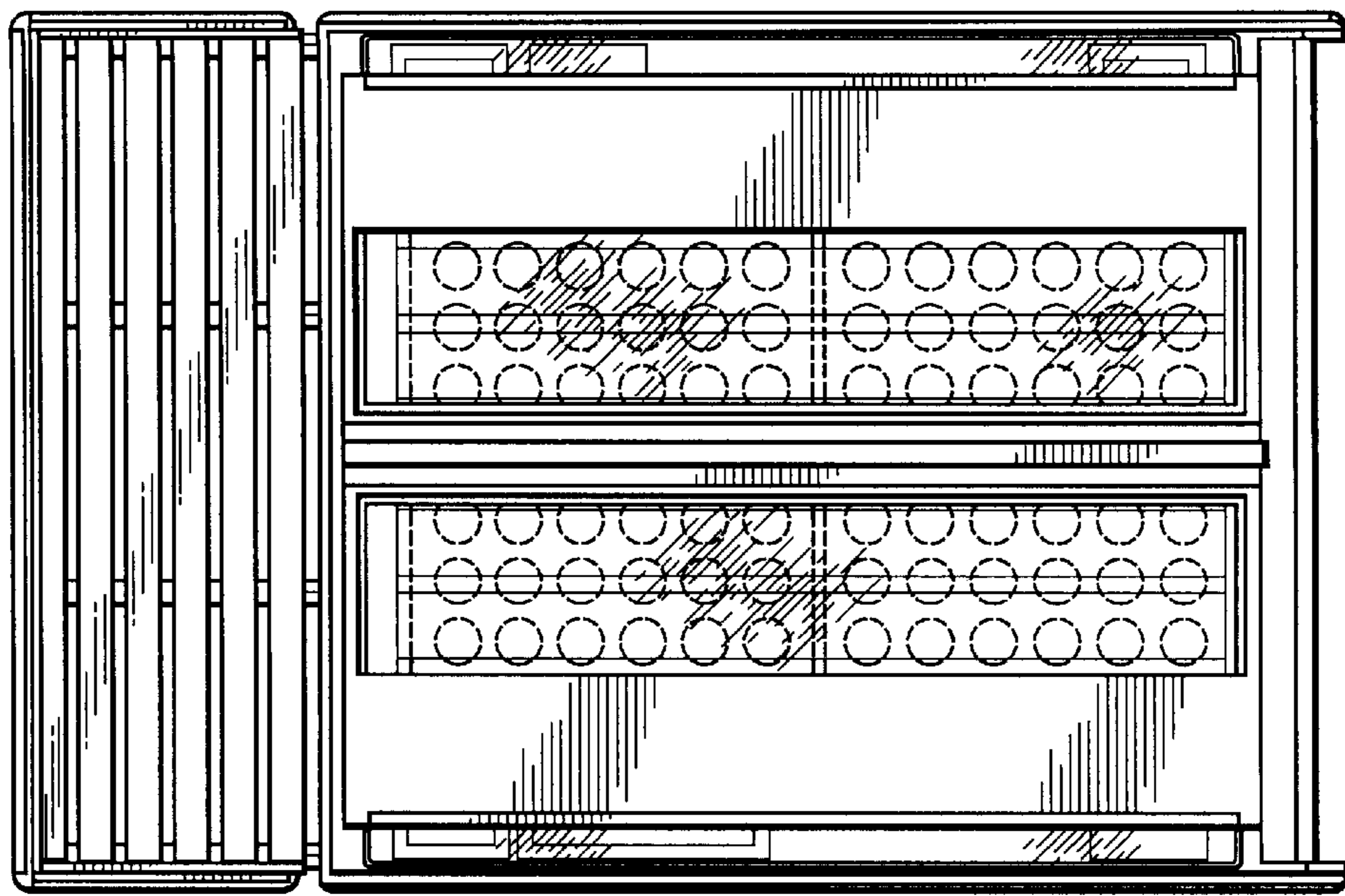


FIG. 2

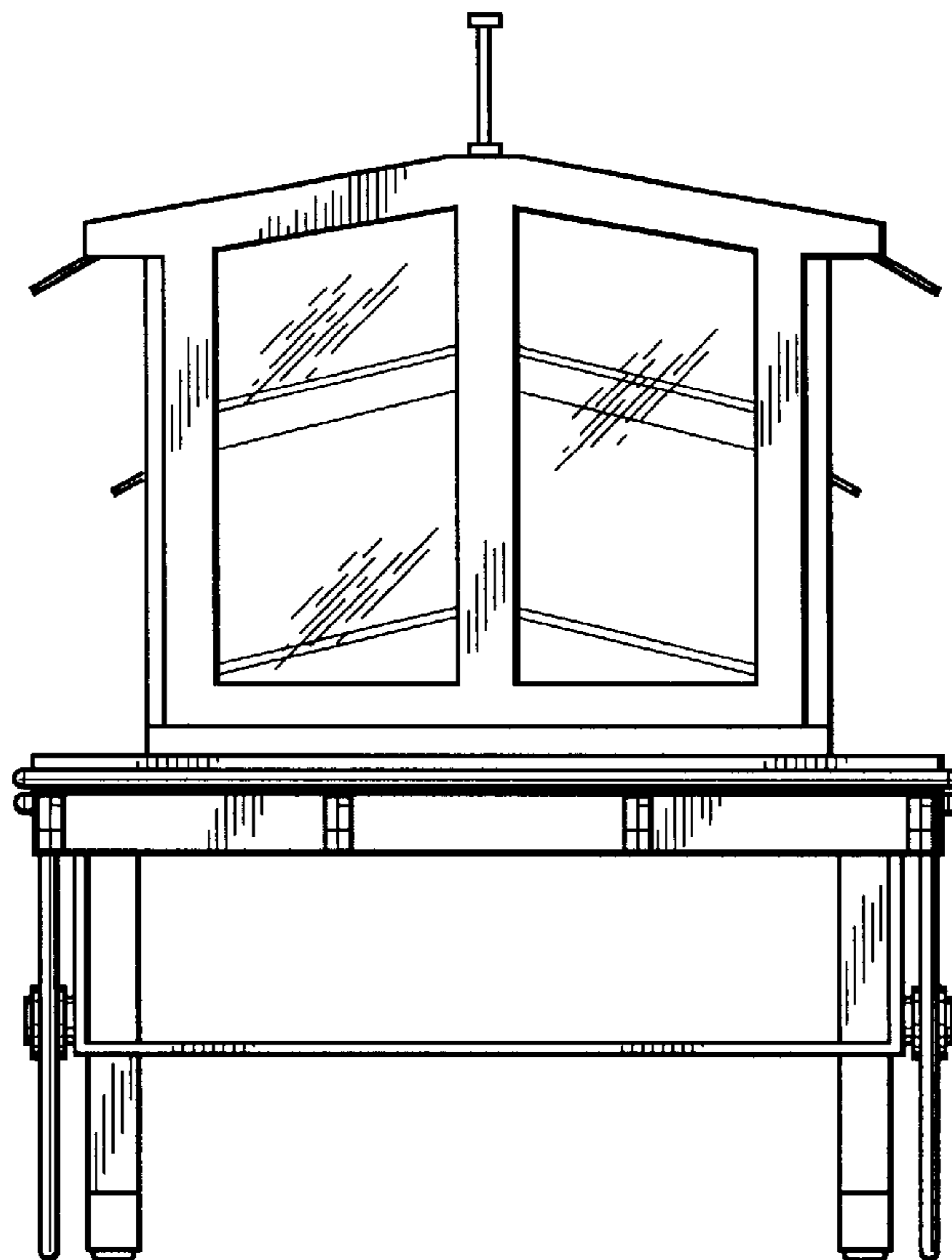


FIG. 3

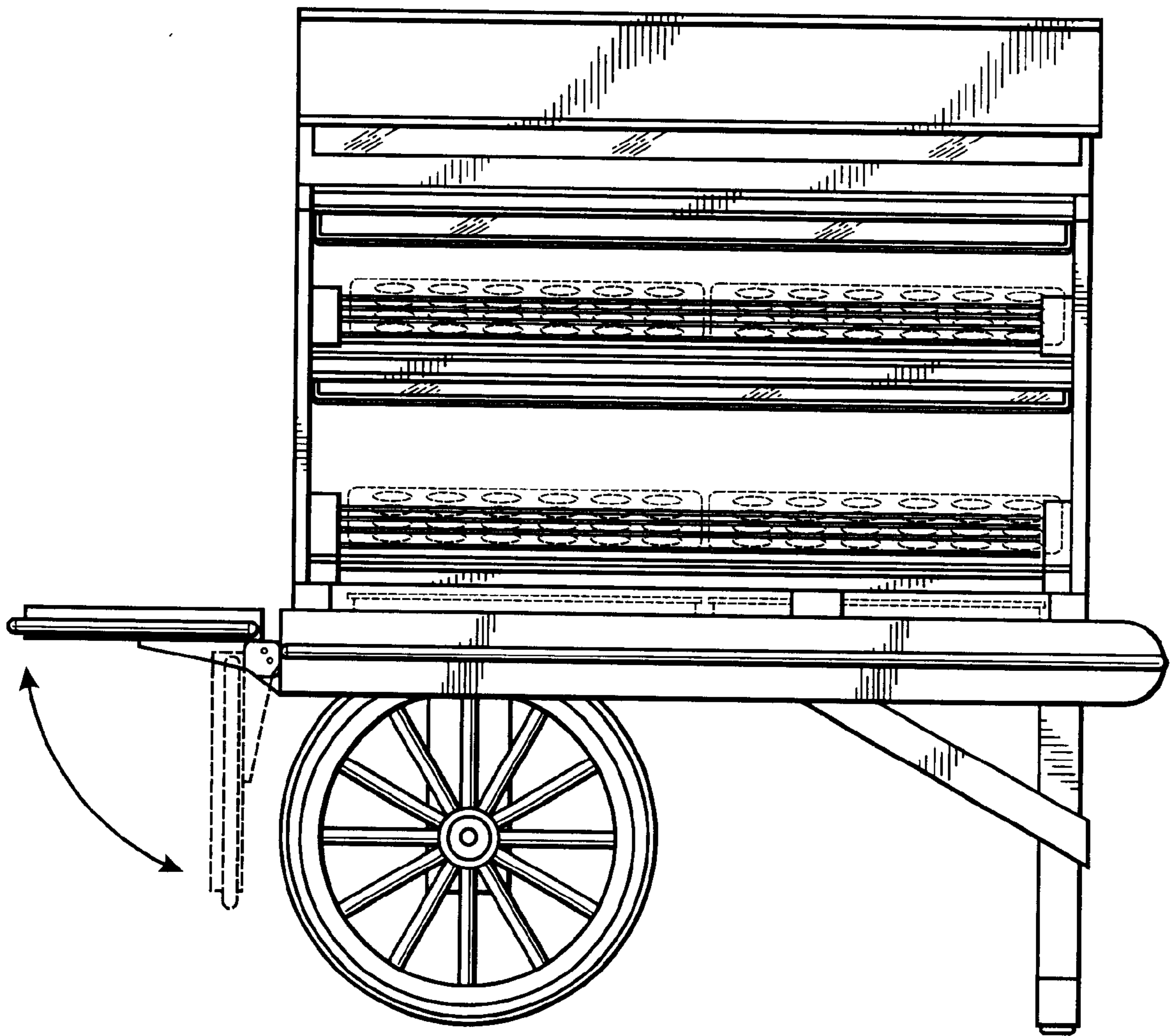


FIG. 4