



US00D485407S

(12) **United States Design Patent**
Walsh et al.

(10) **Patent No.:** **US D485,407 S**

(45) **Date of Patent:** **** Jan. 13, 2004**

(54) **WASTE BASKET HOLD DOWN FOOT PEDAL**

(76) Inventors: **Patricia M. Walsh**, 223 Wildwood Rd.,
Ronkonkoma, NY (US) 11779; **Eugene J. Walsh**, 223 Wildwood Rd.,
Ronkonkoma, NY (US) 11779

(**) Term: **14 Years**

(21) Appl. No.: **29/174,153**

(22) Filed: **Jan. 13, 2003**

(51) **LOC (7) Cl.** **09-09**

(52) **U.S. Cl.** **D34/10**

(58) **Field of Search** D34/1, 7, 8, 9,
D34/10; 220/262, 263, 260, 908, 495.04

(56) **References Cited**

U.S. PATENT DOCUMENTS

| | | | |
|-------------|-----------|-----------|----------------|
| 1,237,016 A | 8/1917 | Brown | |
| 1,286,368 A | 12/1918 | Lucas | |
| 1,736,192 A | 11/1929 | Easton | |
| 1,911,724 A | 5/1933 | Stein | |
| 3,008,604 A | * 11/1961 | Garner | 220/87.1 |
| 3,115,986 A | 12/1963 | Groff | |
| D319,905 S | * 9/1991 | Hotchkiss | D34/9 |
| 5,092,105 A | * 3/1992 | Bish-Shin | 53/373.7 |
| 5,163,579 A | 11/1992 | Jones | |
| D332,852 S | * 1/1993 | Delmerico | D34/9 |
| 5,390,812 A | 2/1995 | Spiro | |

| | | | |
|--------------|-----------|-----------------|------------------|
| 5,690,247 A | 11/1997 | Boover | |
| D401,028 S | * 11/1998 | Ahern et al. | D34/9 |
| 6,102,343 A | 8/2000 | Grimesey et al. | |
| 6,199,714 B1 | * 3/2001 | Thompson | 220/495.07 |
| D447,308 S | 8/2001 | Lin | |
| D467,697 S | * 12/2002 | Spadafora | D34/10 |
| D468,508 S | * 1/2003 | Yang | D34/10 |

* cited by examiner

Primary Examiner—Cynthia E. Ramirez

(74) *Attorney, Agent, or Firm*—Donald R. Schoonover

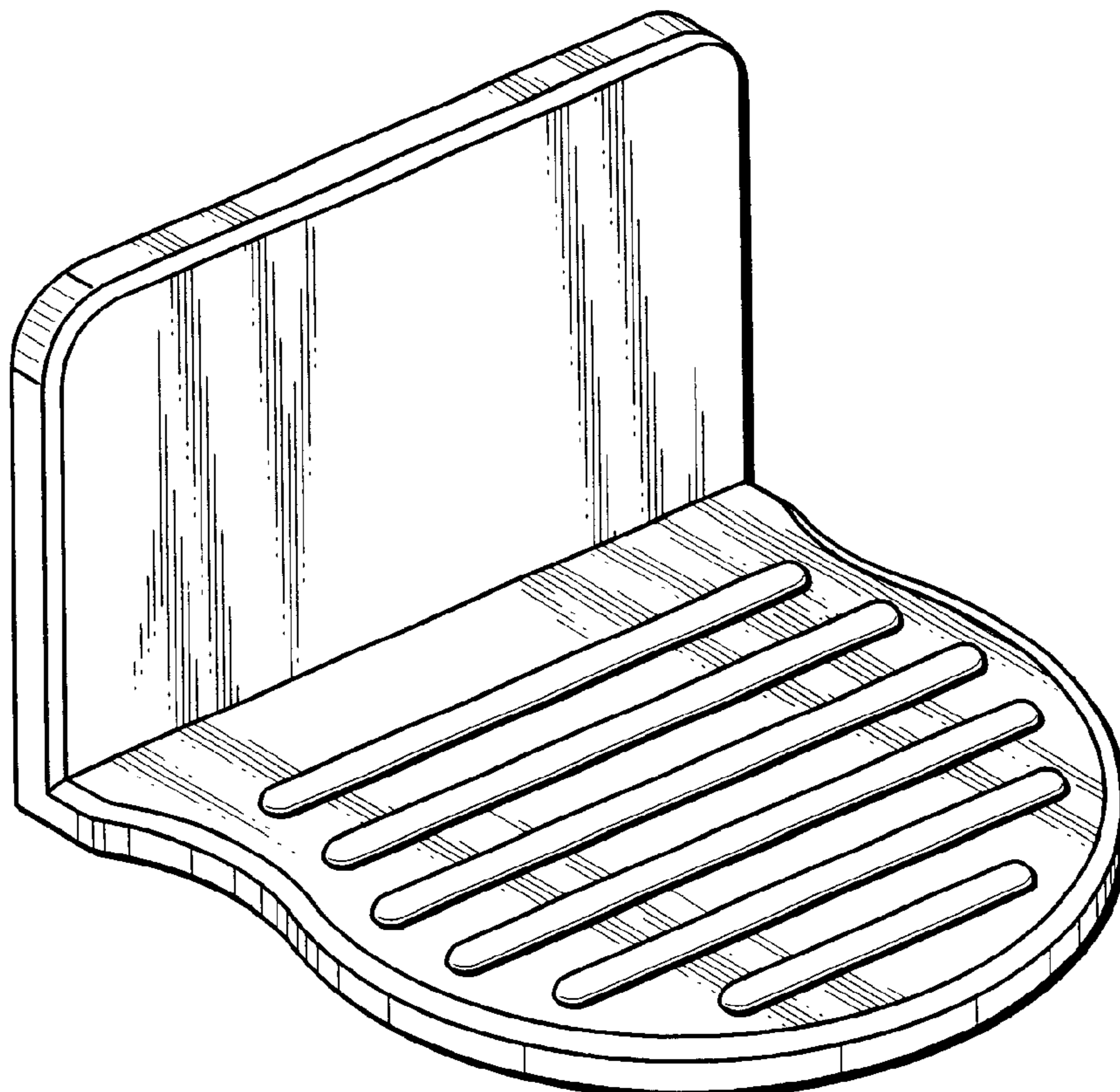
(57) **CLAIM**

We claim the ornamental design for a waste basket hold down foot pedal, as shown and described.

DESCRIPTION

FIG. 1 is a perspective view of a waste basket hold down foot pedal showing our new design;
FIG. 2 is a top plan view thereof;
FIG. 3 is a right side elevational view thereof, the left side elevational view being a mirror image thereof;
FIG. 4 is a front elevational view thereof;
FIG. 5 is a rear elevational view thereof;
FIG. 6 is a bottom plan view thereof; and,
FIG. 7 is a perspective view showing the waste basket hold down foot pedal in use; the broken lines depict environmental structure for illustrative purposes only and form no part of the claimed design.

1 Claim, 3 Drawing Sheets



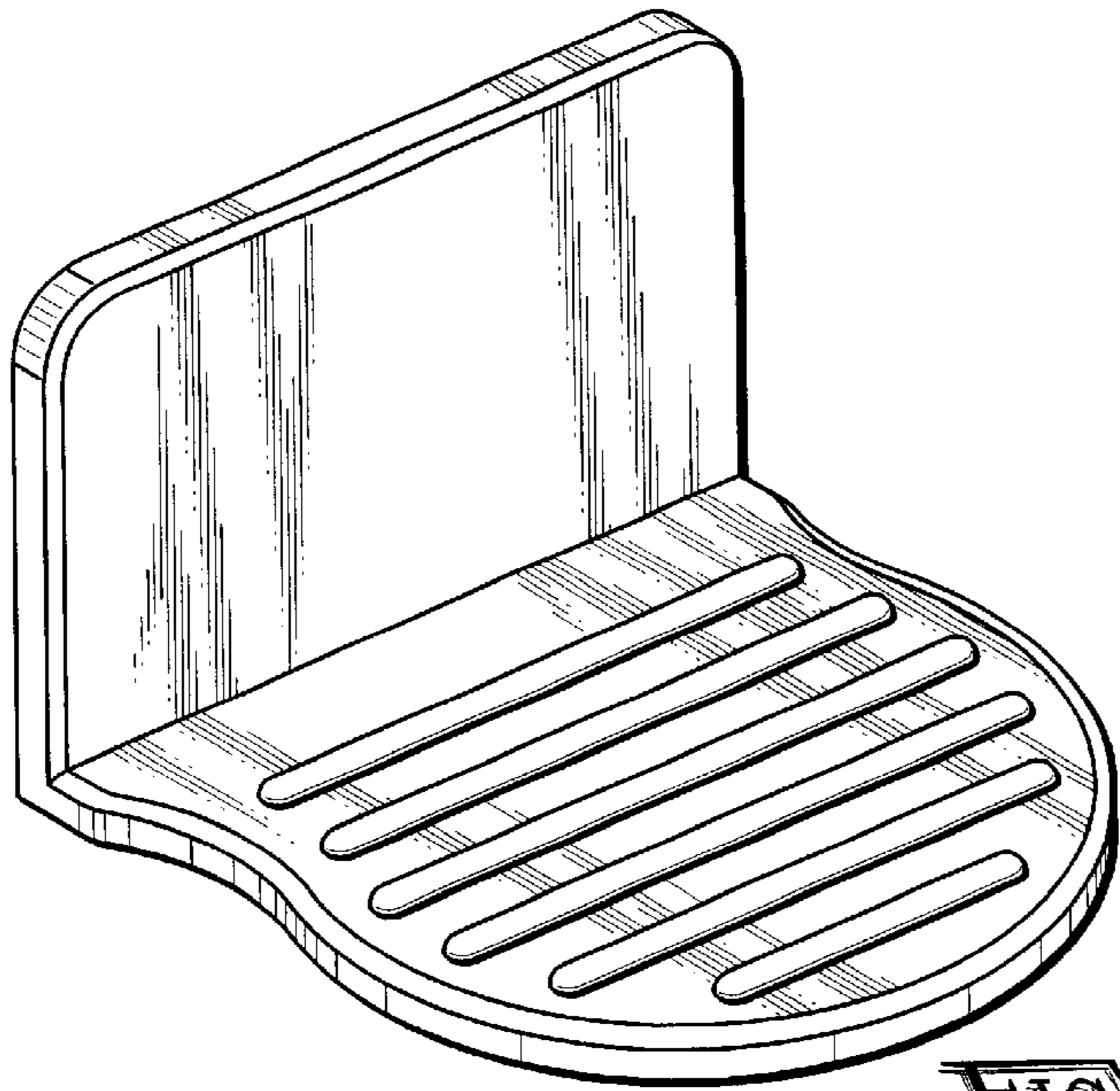


FIG. 1

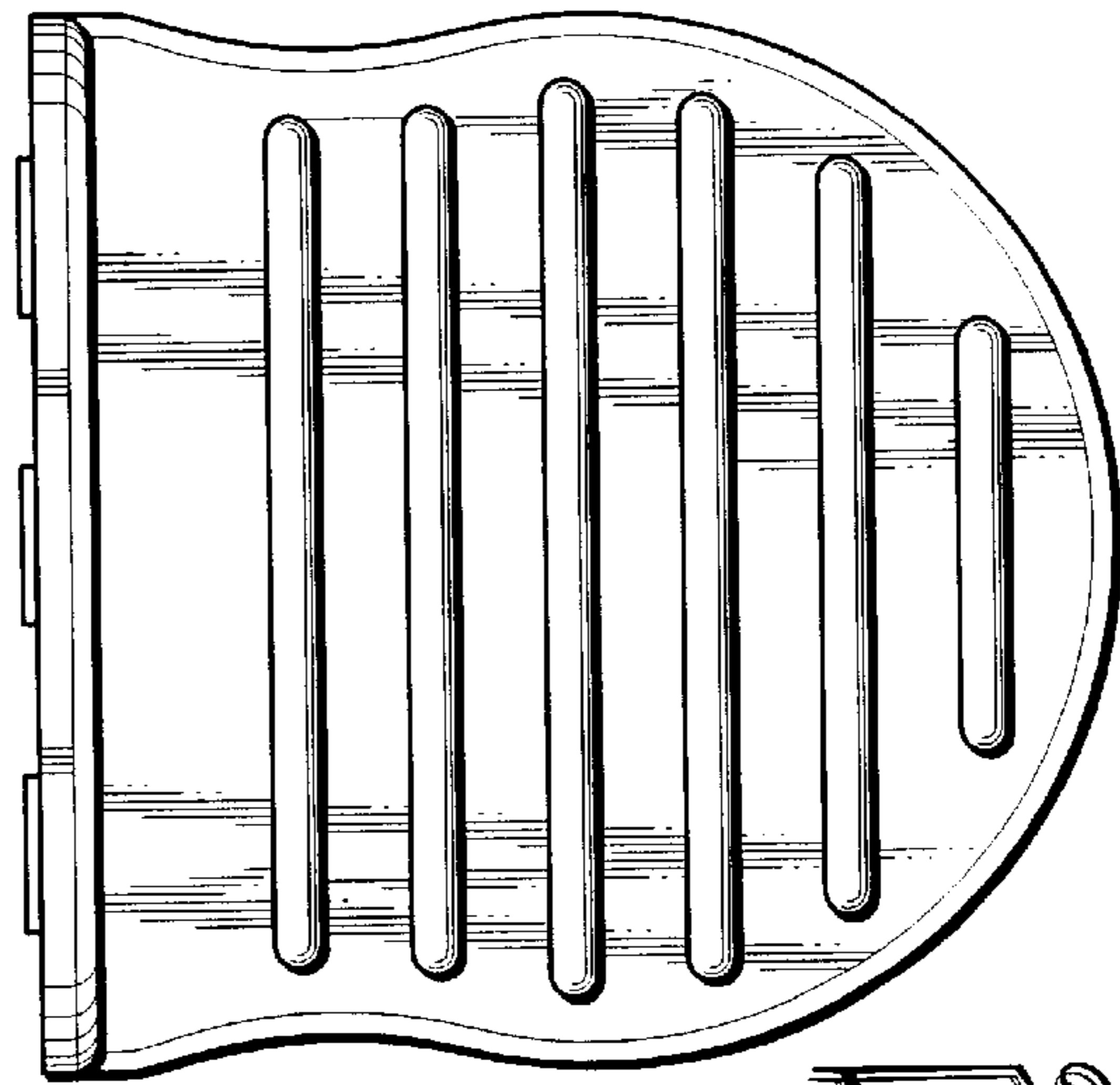


FIG. 2

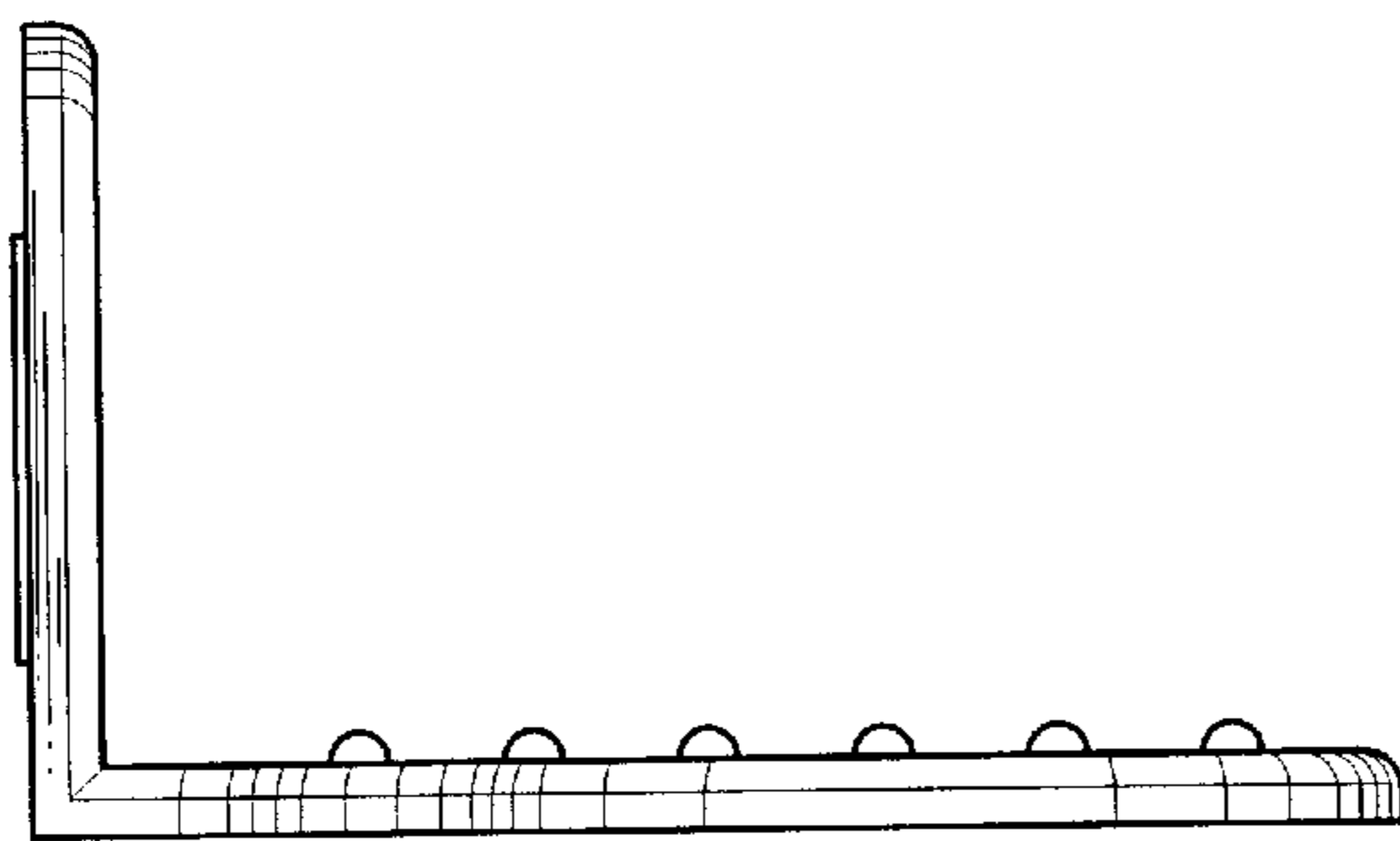


FIG. 3

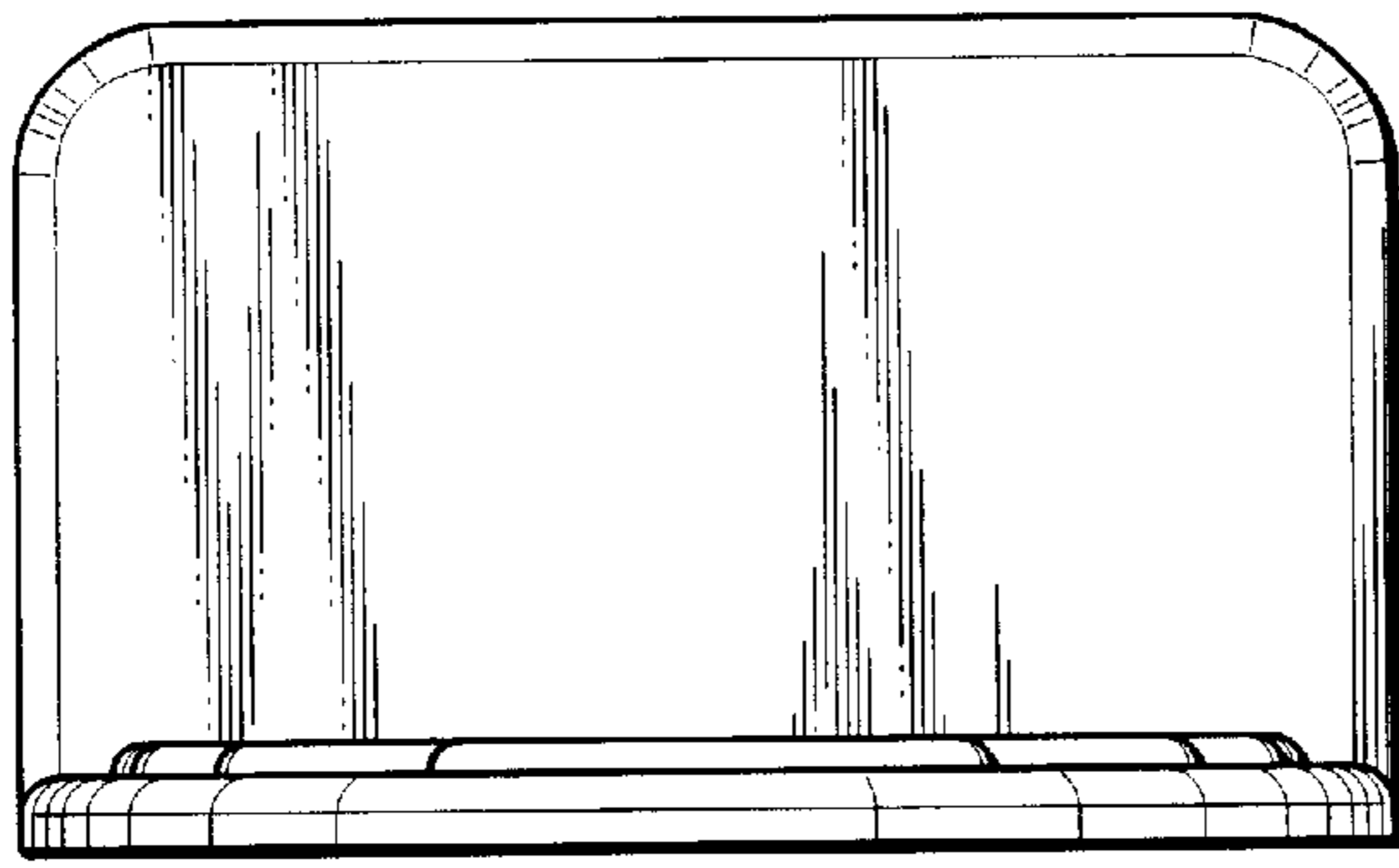


FIG. 4

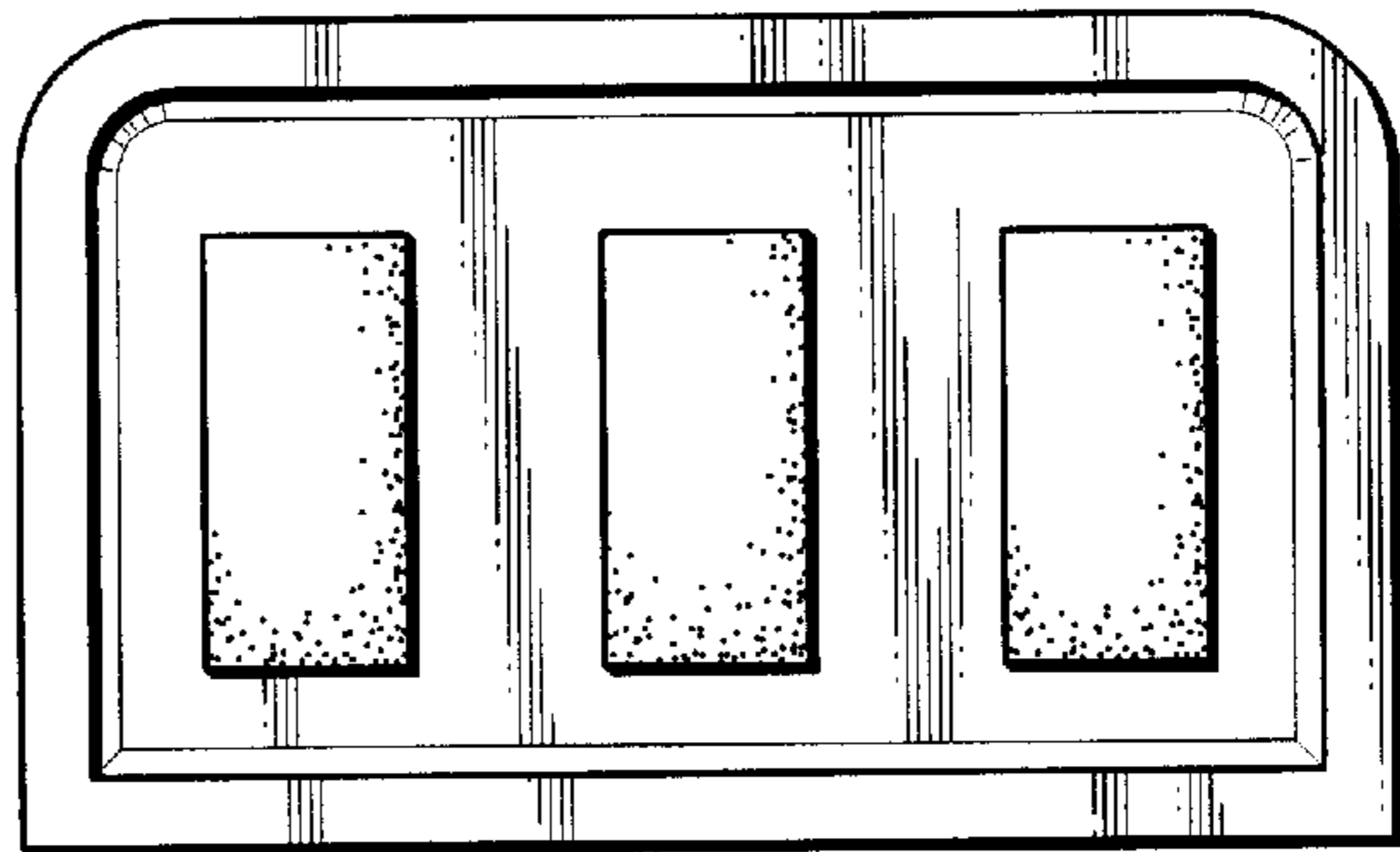


FIG. 5

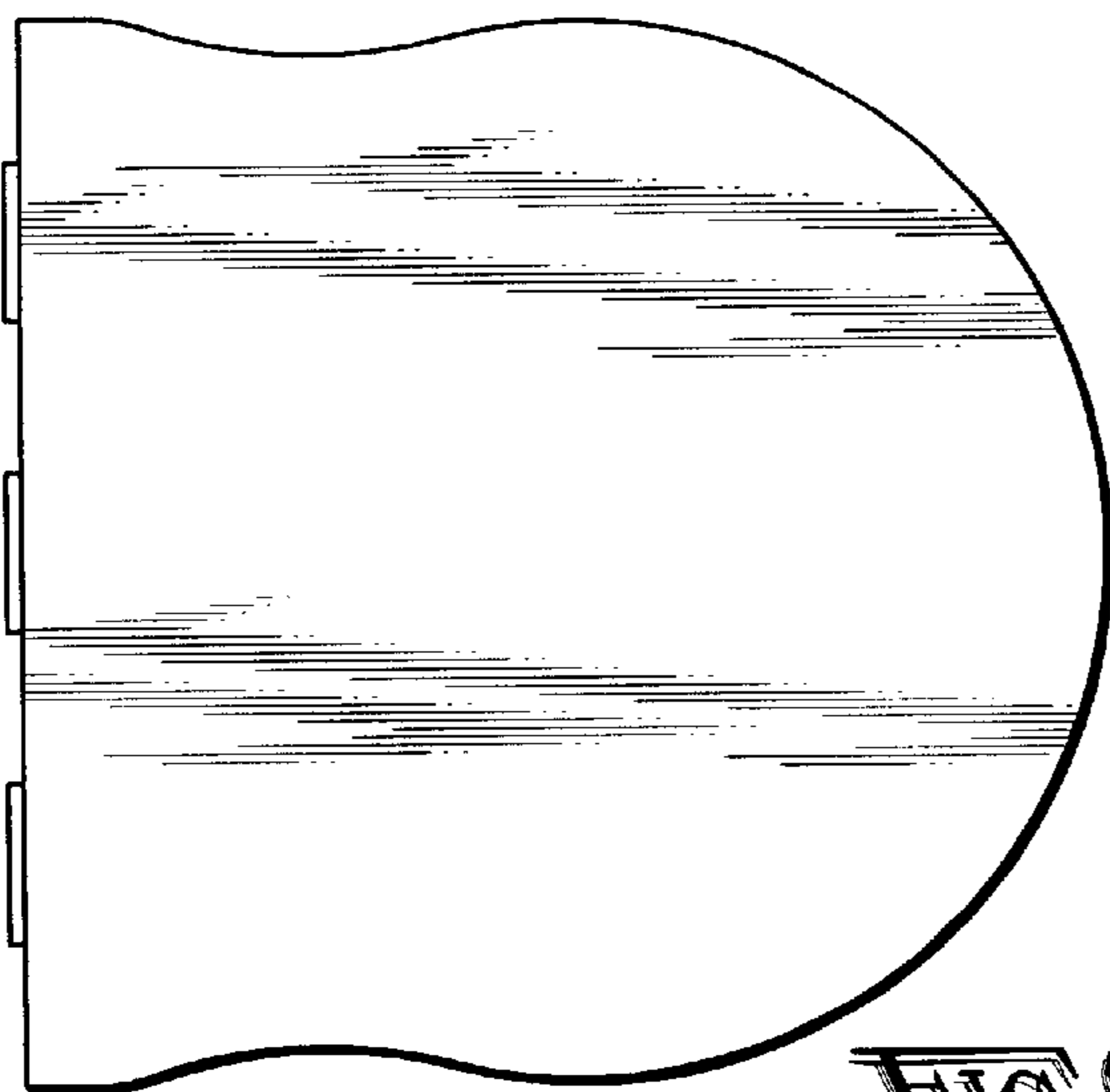


FIG. 6

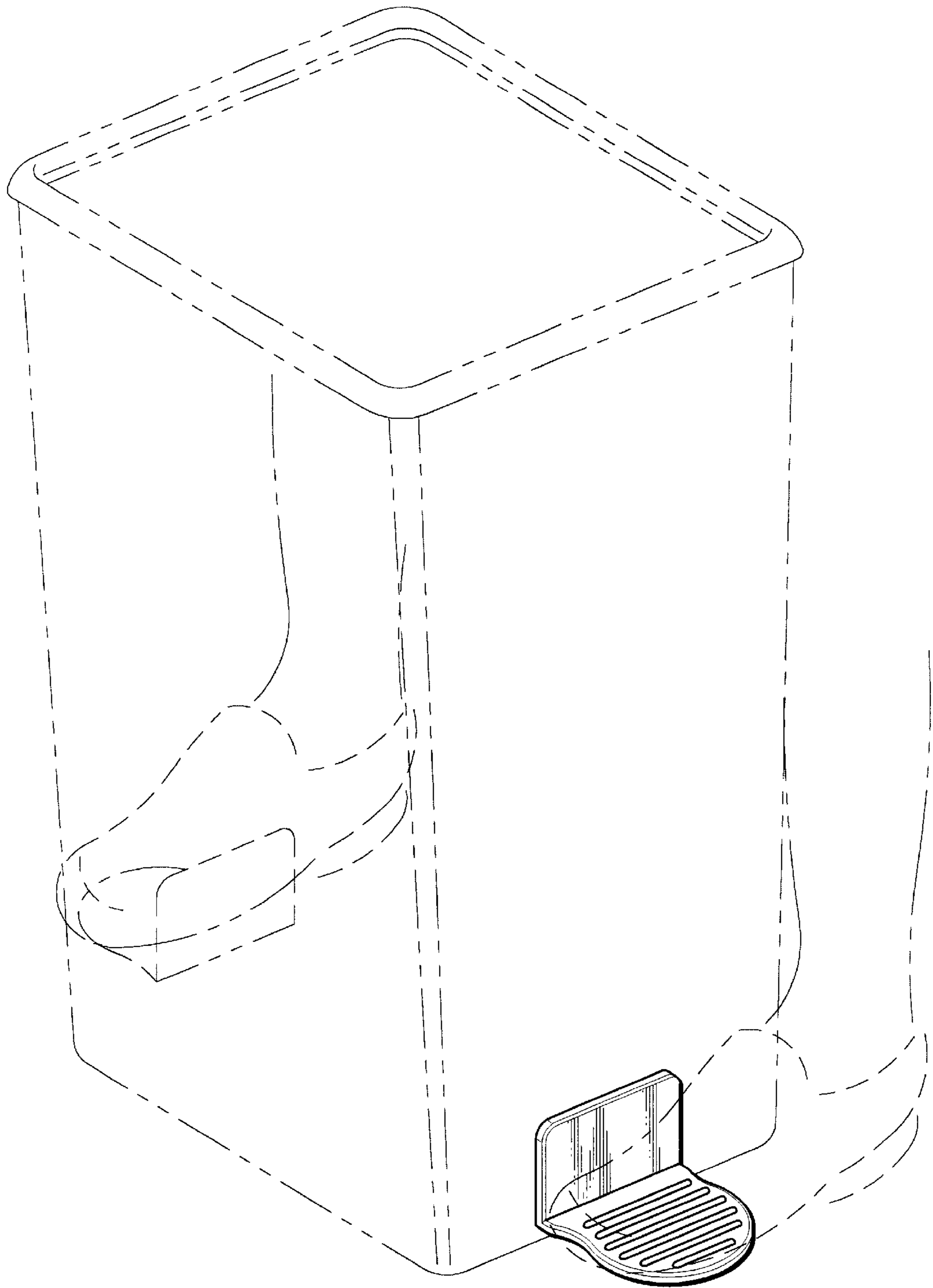


FIG. 7