



US00D485402S

(12) **United States Design Patent**  
**Cotton et al.**

(10) **Patent No.:** **US D485,402 S**

(45) **Date of Patent:** **\*\* Jan. 13, 2004**

(54) **PRETREATER WITH A ROLLERBALL**

(75) Inventors: **Thomas Leonard Cotton**, London  
(GB); **Felix James Scarlett**, Chesham  
(GB)

(73) Assignee: **The Procter & Gamble Company**,  
Cincinnati, OH (US)

(\*\*) Term: **14 Years**

(21) Appl. No.: **29/159,183**

(22) Filed: **Apr. 16, 2002**

**Related U.S. Application Data**

(63) Continuation of application No. 29/158,881, filed on Apr.  
11, 2002, now abandoned.

(30) **Foreign Application Priority Data**

Oct. 17, 2001 (GB) ..... 2105652

(51) **LOC (7) Cl.** ..... **08-99**

(52) **U.S. Cl.** ..... **D32/35**

(58) **Field of Search** ..... D32/35, 25, 30;  
D9/338, 436, 526, 447; 68/17 R, 17 A,  
235 R; 8/137, 158, 159; 206/0.5; 222/494,  
212, 548; 401/208, 209, 212, 214-216,  
183; 510/277

(56) **References Cited**

**U.S. PATENT DOCUMENTS**

D319,781 S \* 9/1991 Halm et al. .... D32/30

D344,820 S \* 3/1994 Cornette et al. .... D32/30  
5,341,660 A \* 8/1994 Berveglieri ..... 68/17 R  
5,355,541 A \* 10/1994 Rutter et al. .... 8/158  
5,887,753 A \* 3/1999 Poolman ..... 222/494 X  
5,897,267 A \* 4/1999 Poolman et al. .... 401/214  
D439,841 S \* 4/2001 Walther et al. .... D9/447  
6,213,665 B1 \* 4/2001 Degoix et al. .... 401/209

\* cited by examiner

*Primary Examiner*—Alan P. Douglas  
*Assistant Examiner*—Lavone D. Tabor  
(74) *Attorney, Agent, or Firm*—Jeffrey V. Bamber

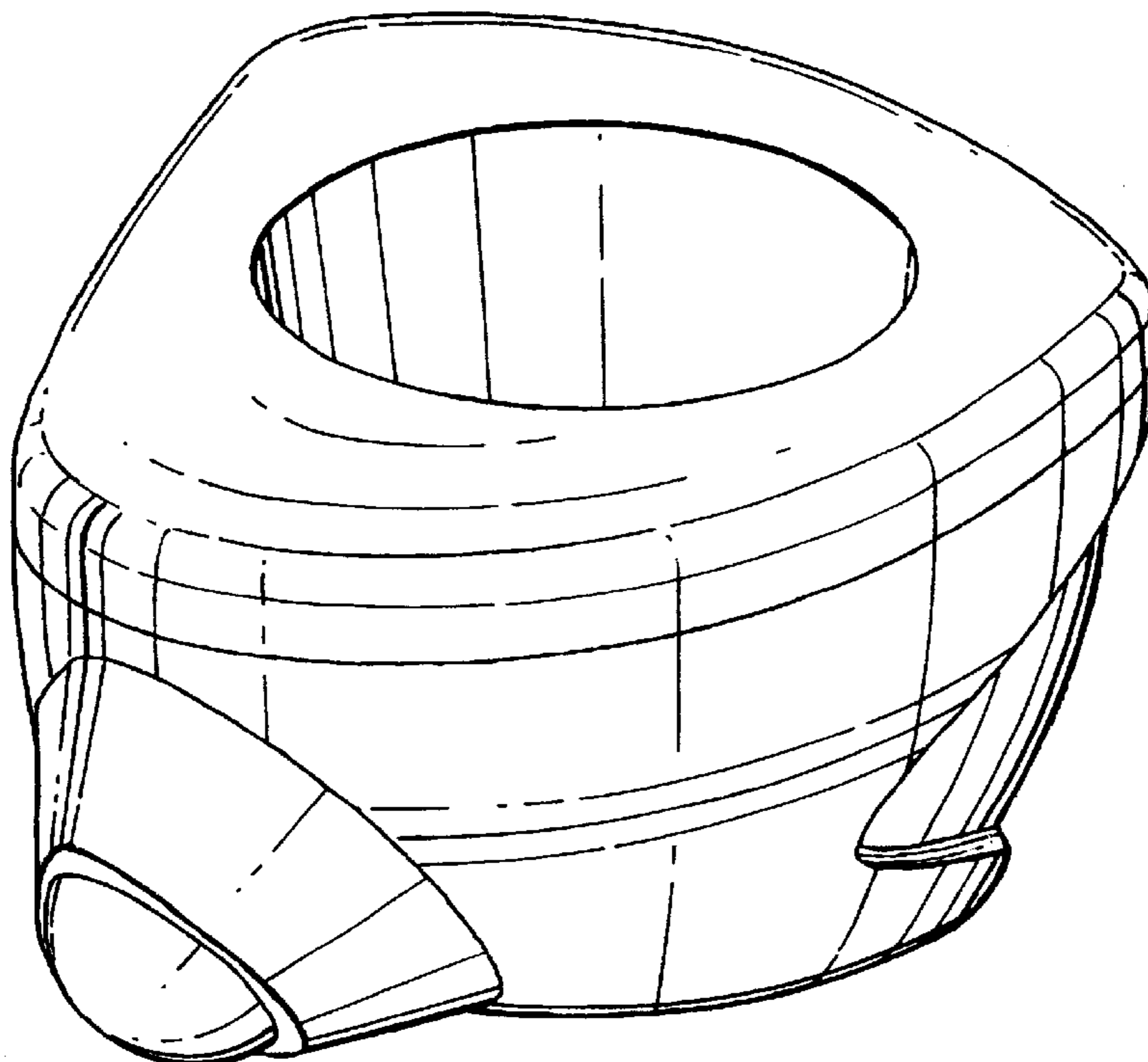
(57) **CLAIM**

The ornamental design for a pretreater with a rollerball, as shown and described.

**DESCRIPTION**

FIG. 1 is a perspective view of a pretreater embodying our new design;  
FIG. 2 is a front view thereof;  
FIG. 3 is a back view thereof;  
FIG. 4 is a right side view thereof;  
FIG. 5 is a left side view thereof;  
FIG. 6 is a top plan view thereof;  
FIG. 7 is a bottom view thereof; and,  
FIG. 8 is a sectional view taken along line 8—8 of FIG. 2.

**1 Claim, 4 Drawing Sheets**



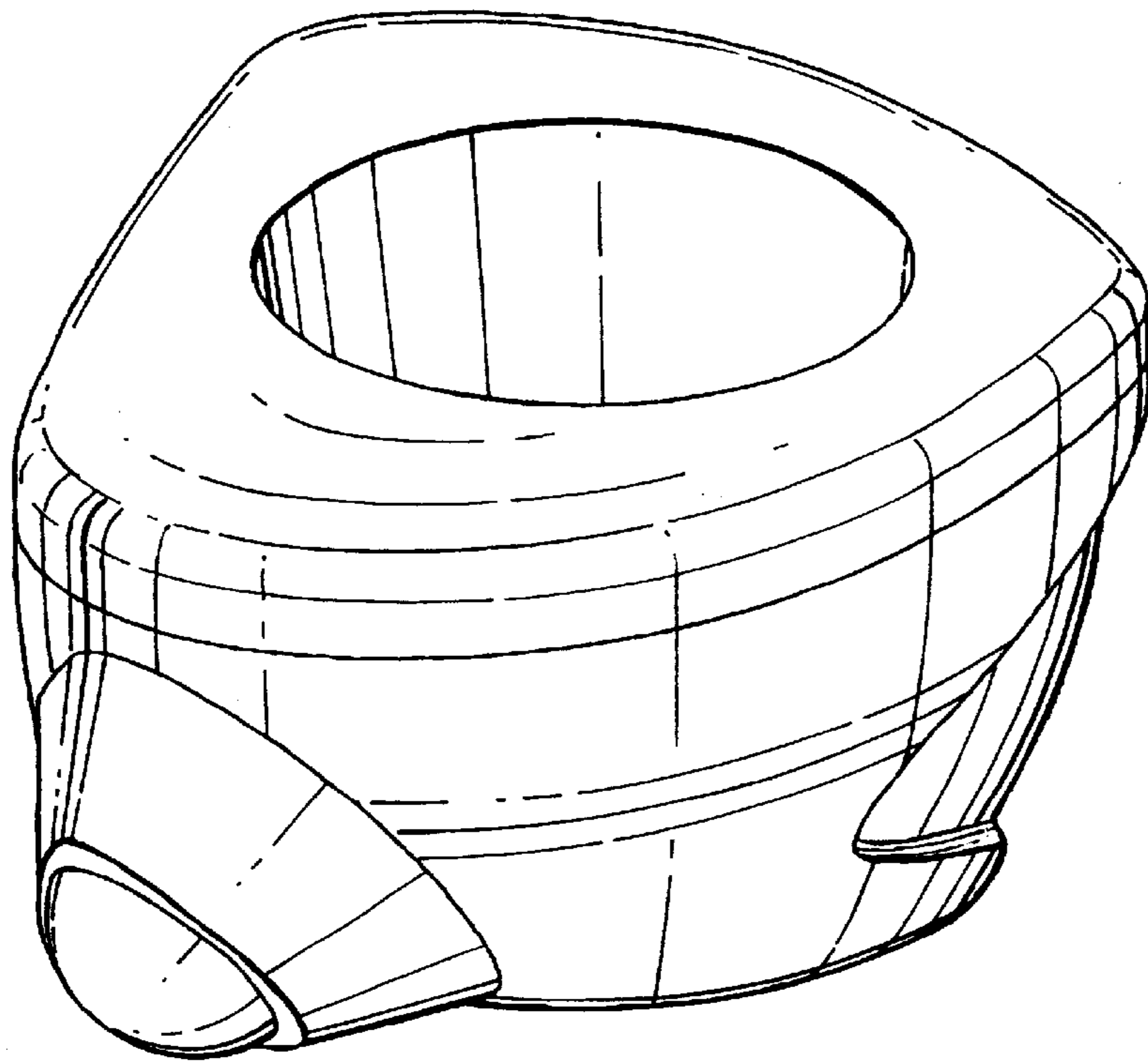
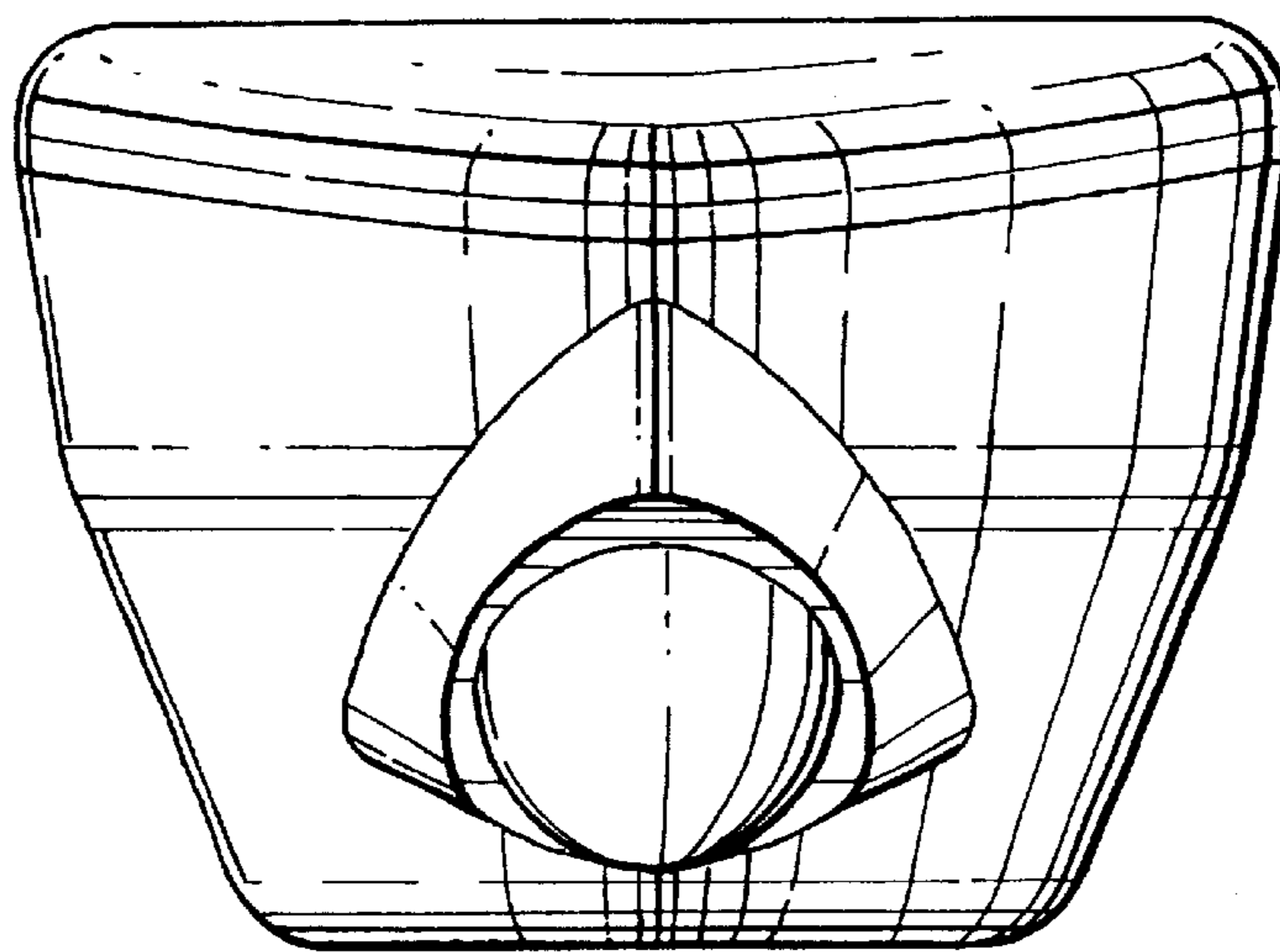


Fig. 1.

8



8

Fig. 2.

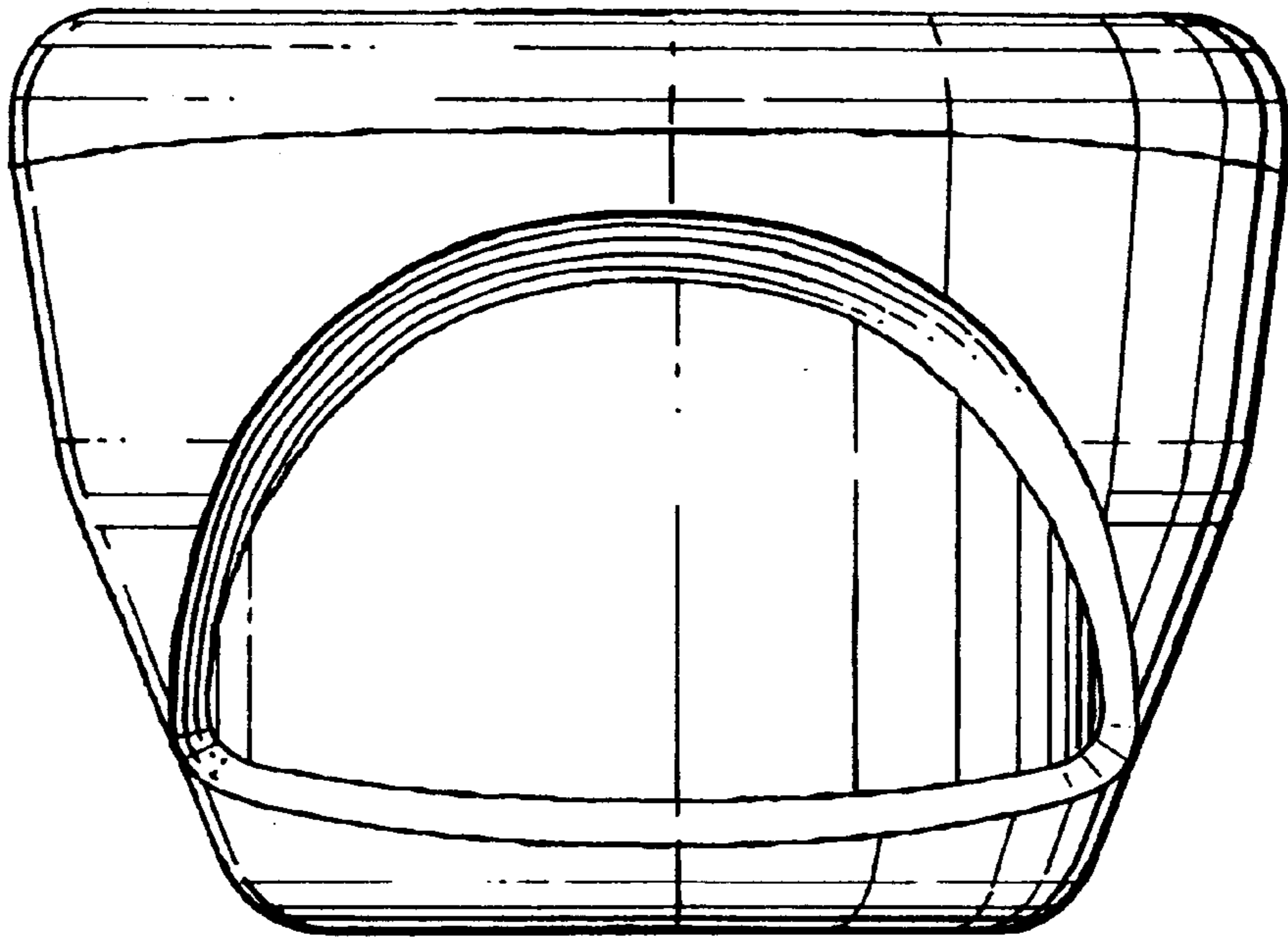


Fig.3.

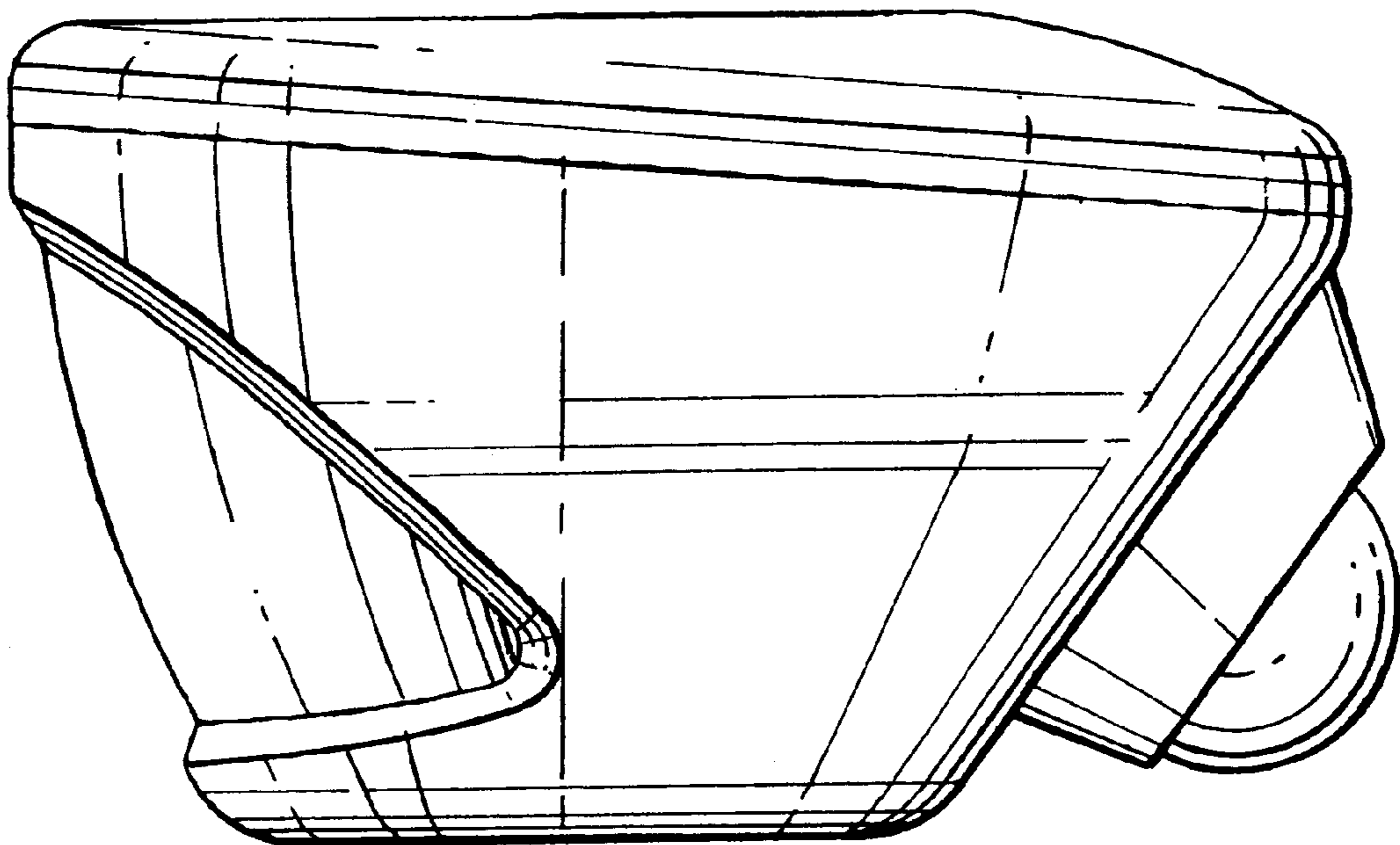


Fig.4.

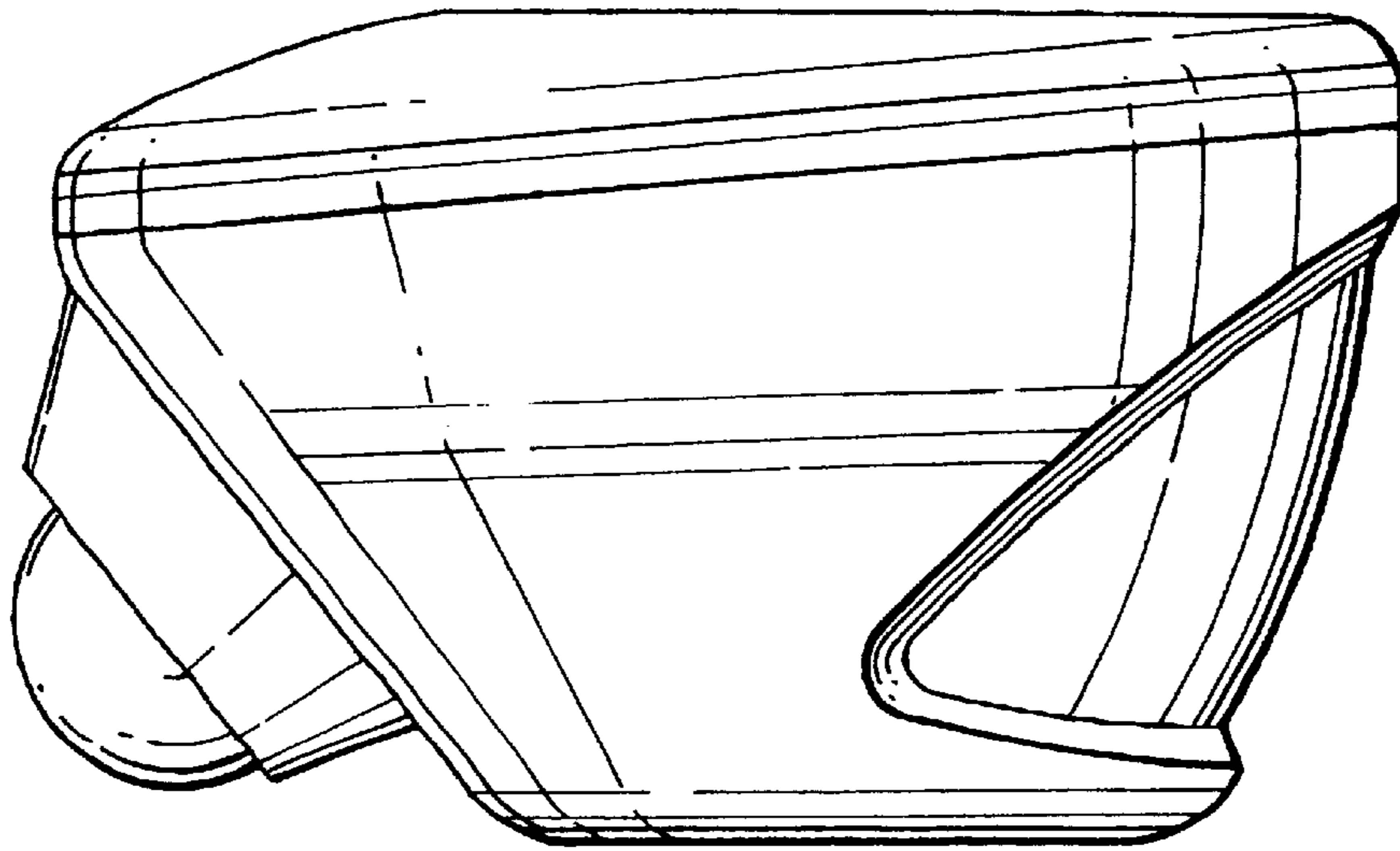


Fig. 5.

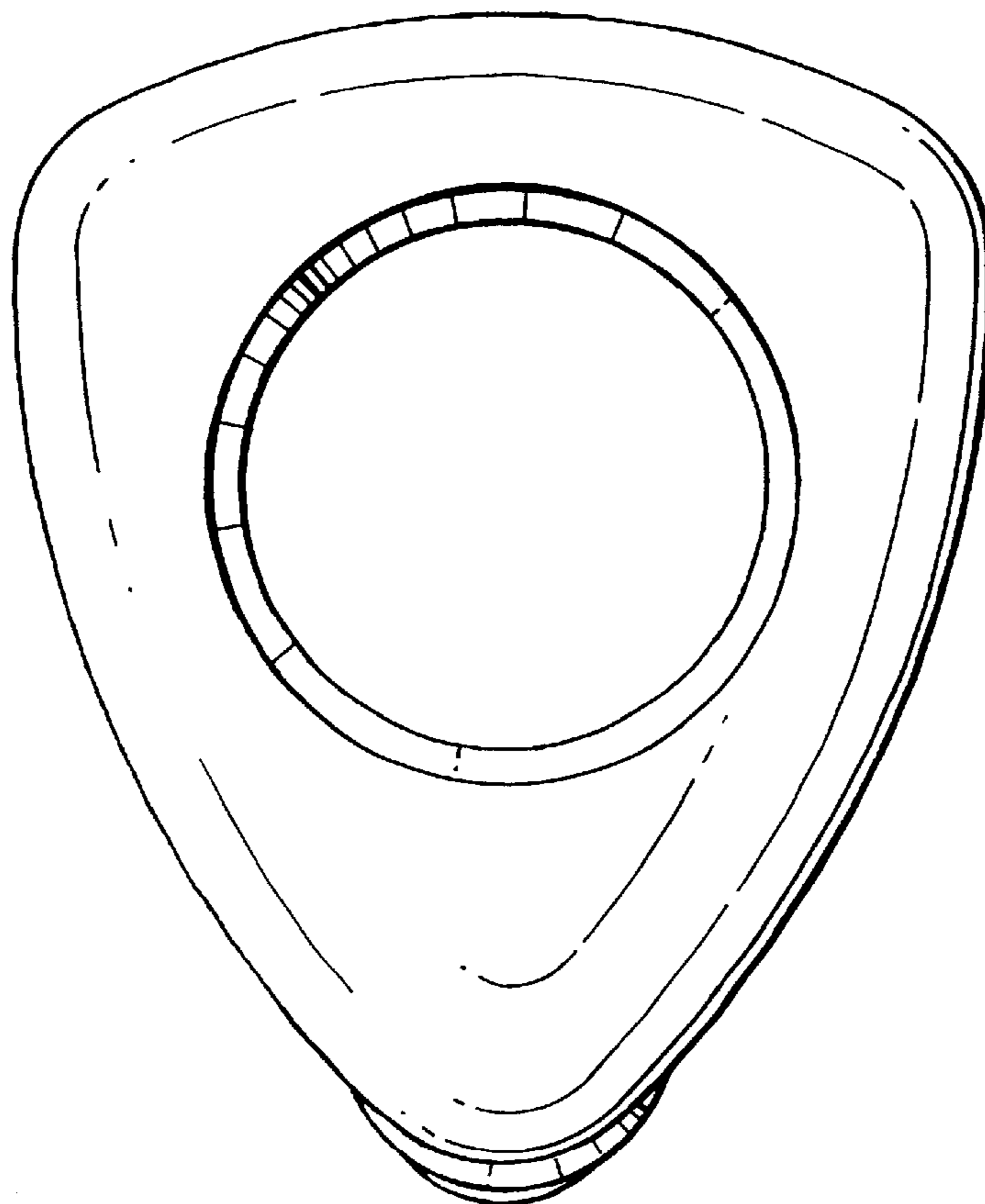


Fig. 6.

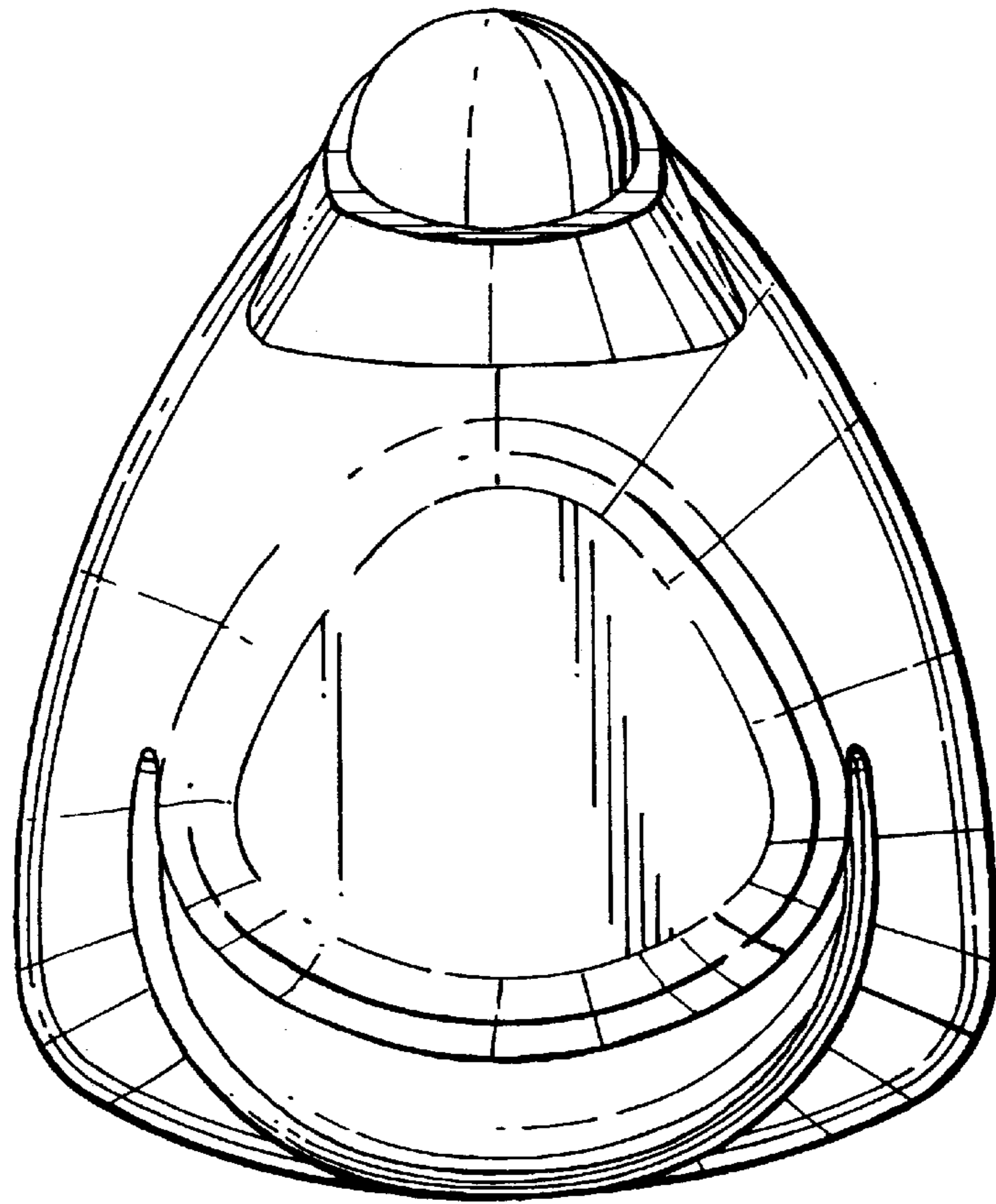


Fig. 7.

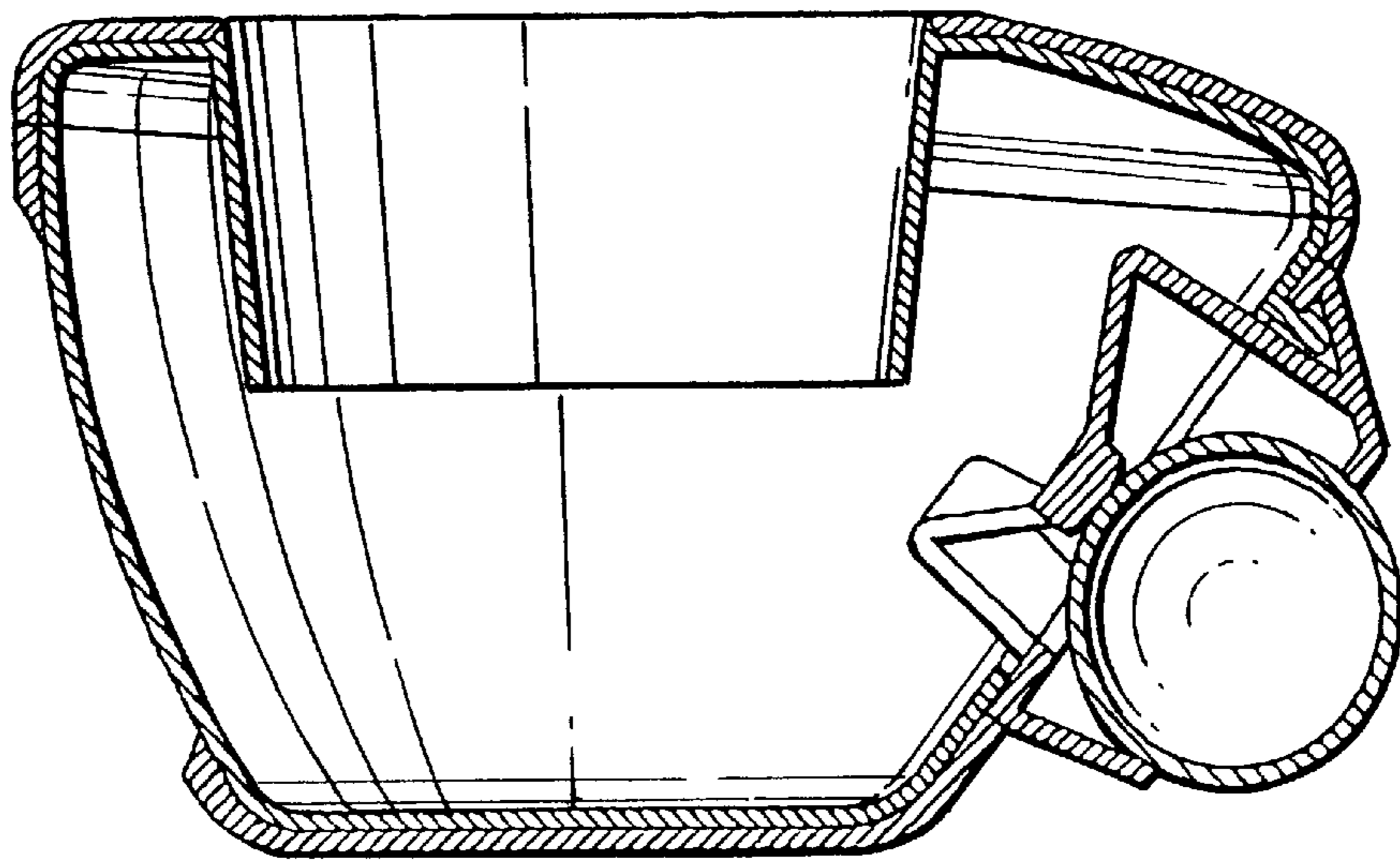


Fig. 8.