



US00D485400S

(12) **United States Design Patent**
Kiefer et al.

(10) **Patent No.:** **US D485,400 S**
(45) **Date of Patent:** **** Jan. 13, 2004**

(54) **INTERFACE FOR FRONT-LOADING
LAUNDRY APPLIANCE**

(75) Inventors: **Lynne E. Kiefer**, Kellogg, IA (US);
David E. Liebe, Colfax, IA (US);
Timothy P. Linahon, Newton, IA (US);
Kenneth M. Odland, Newton, IA (US);
Stephen D. Schober, Newton, IA (US);
Mark S. Snowden, Newton, IA (US)

(73) Assignee: **Maytag Corporation**, Newton, IA (US)

(**) Term: **14 Years**

(21) Appl. No.: **29/178,586**

(22) Filed: **Mar. 28, 2003**

(51) **LOC (7) Cl.** **15-05**

(52) **U.S. Cl.** **D32/25**

(58) **Field of Search** D32/1, 5-6, 8,
D32/10, 25; 68/3 R, 12.01, 17 A, 212,
12.27; 34/523, 108, 596, 603; 312/31, 109

(56) **References Cited**

U.S. PATENT DOCUMENTS

D130,835 S	12/1941	Altorfer
D132,572 S	5/1942	Cain
D153,515 S	4/1949	Geldhof
D169,351 S	4/1953	Boldt
D289,212 S	4/1987	Nakamura et al.
D359,602 S	6/1995	Swartz et al.

D360,500 S	7/1995	Millet et al.
D412,378 S	7/1999	Richardson
5,956,790 A *	9/1999	Braunschweig et al. 68/3 R
D428,222 S	7/2000	Tunzi et al.
D434,536 S	11/2000	Schober
D445,224 S	7/2001	Costello
D450,164 S	11/2001	Dyson et al.
6,502,265 B2 *	1/2003	Blair et al. 68/12.27
6,508,085 B1 *	1/2003	Byrne 68/3 R

* cited by examiner

Primary Examiner—Louis S. Zarfaz

Assistant Examiner—Robert A. Delehanty

(74) *Attorney, Agent, or Firm*—McKee, Voorhees & Sease, P.L.C.

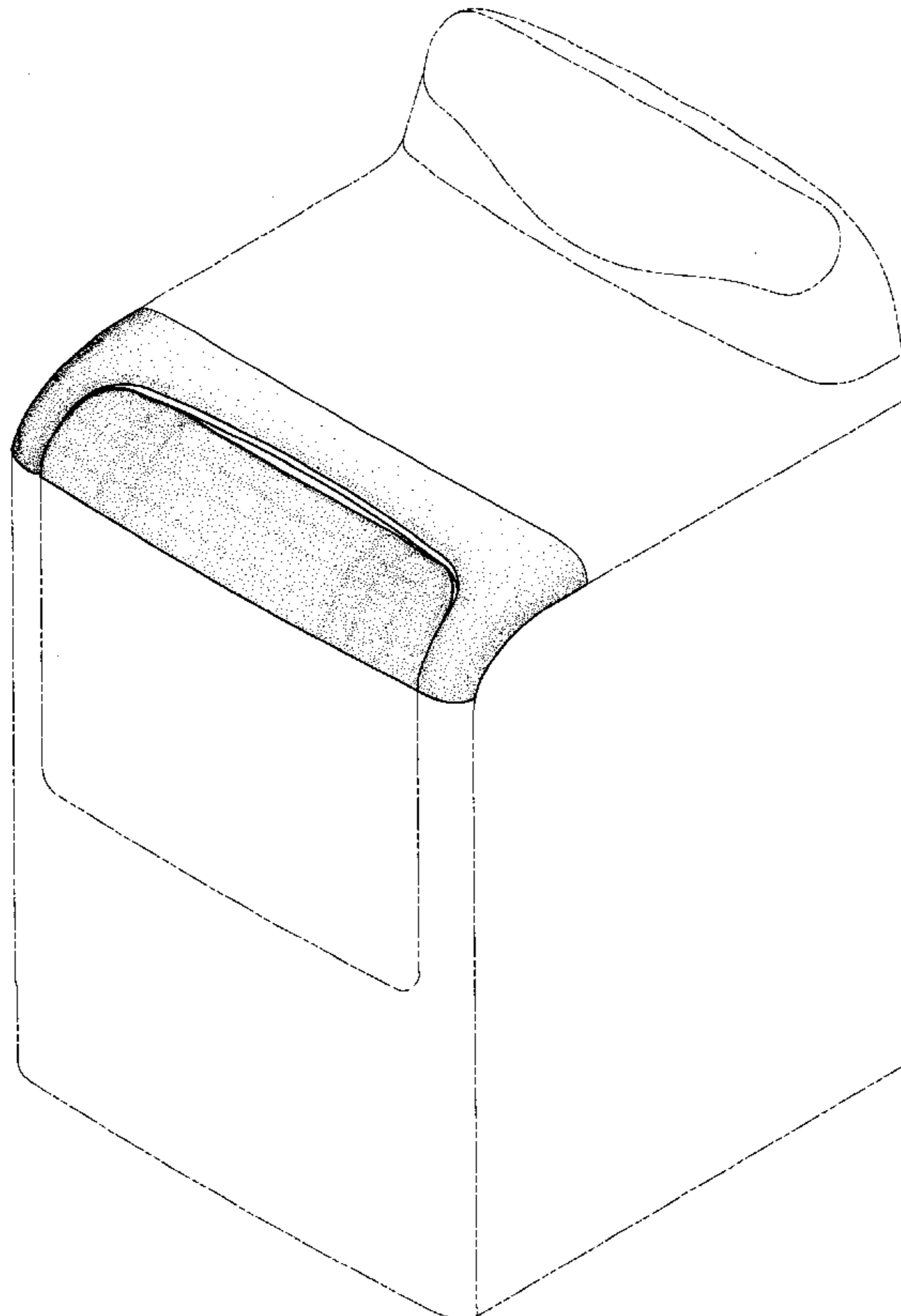
(57) **CLAIM**

We claim the ornamental design for an interface for front-loading laundry appliance, as shown.

DESCRIPTION

FIG. 1 is a pictorial view of an interface for front-loading laundry appliance design of the present invention; FIG. 2 is a side elevational view thereof the opposite side being a mirror image of the side shown; FIG. 3 is a front elevational view thereof; and, FIG. 4 is a top plan view thereof. The rear and bottom are plain and unornamented. The broken lines are for illustrative purposes only and form no part of the claimed design.

1 Claim, 4 Drawing Sheets



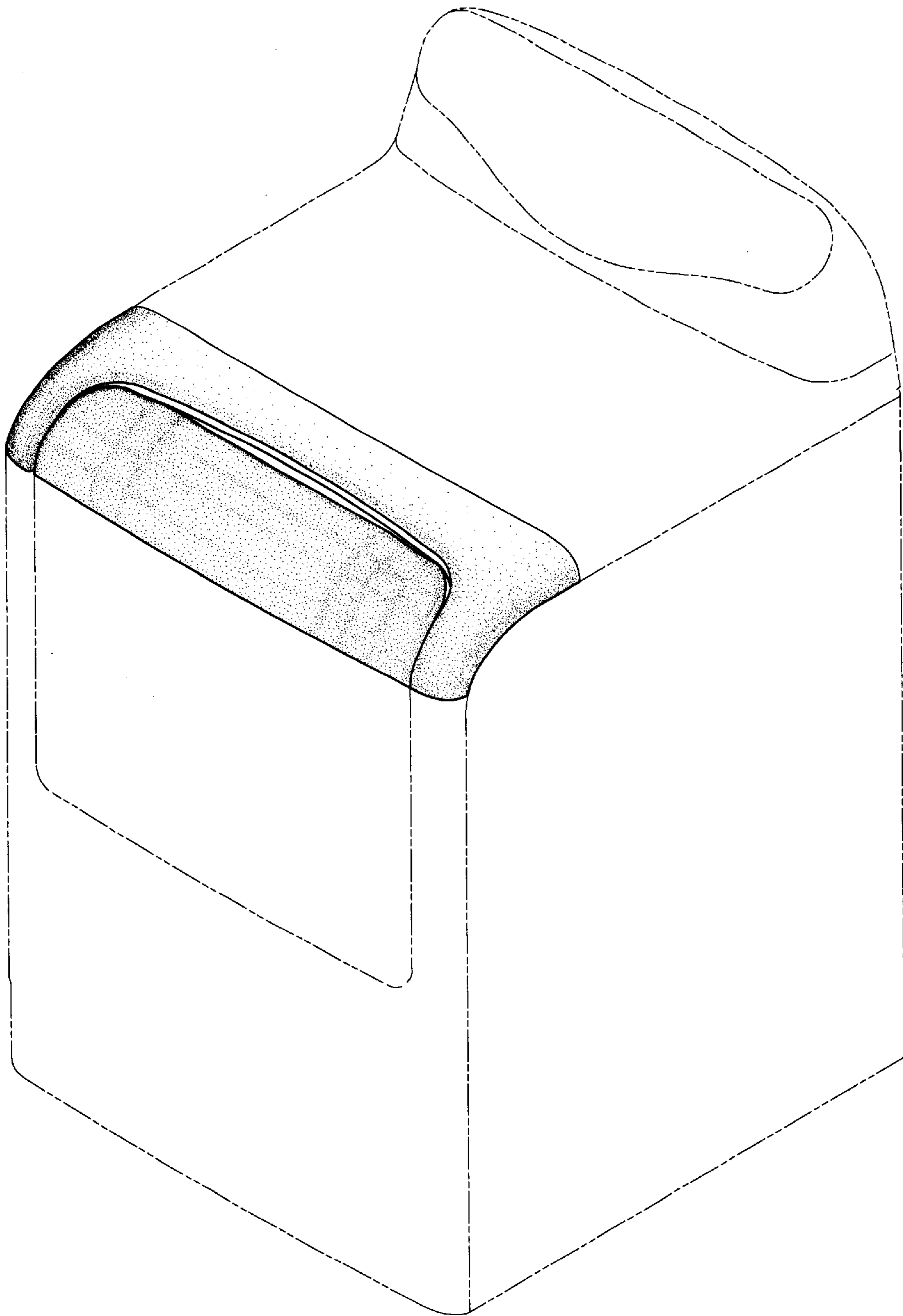


Fig. 1

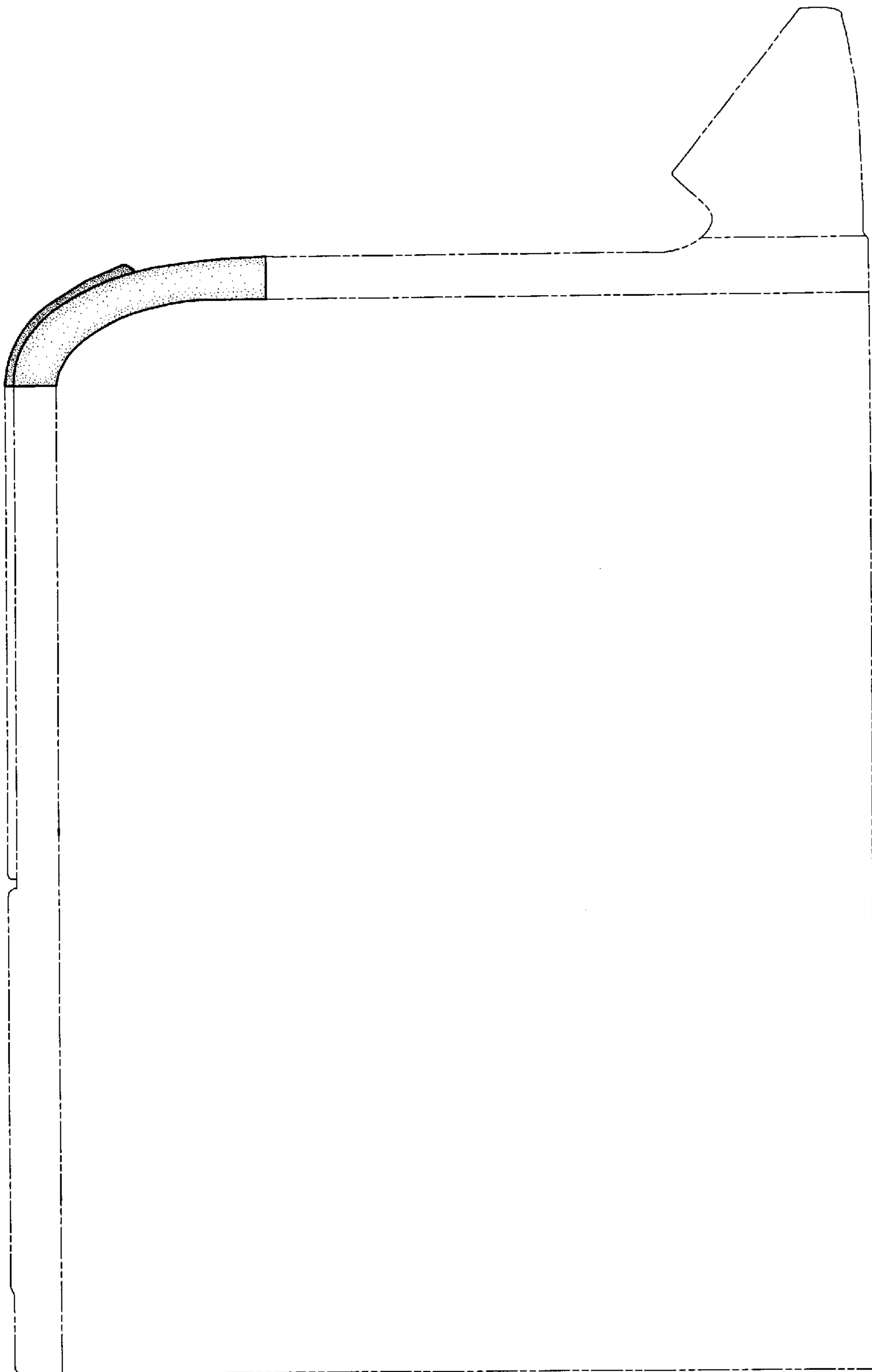


Fig. 2

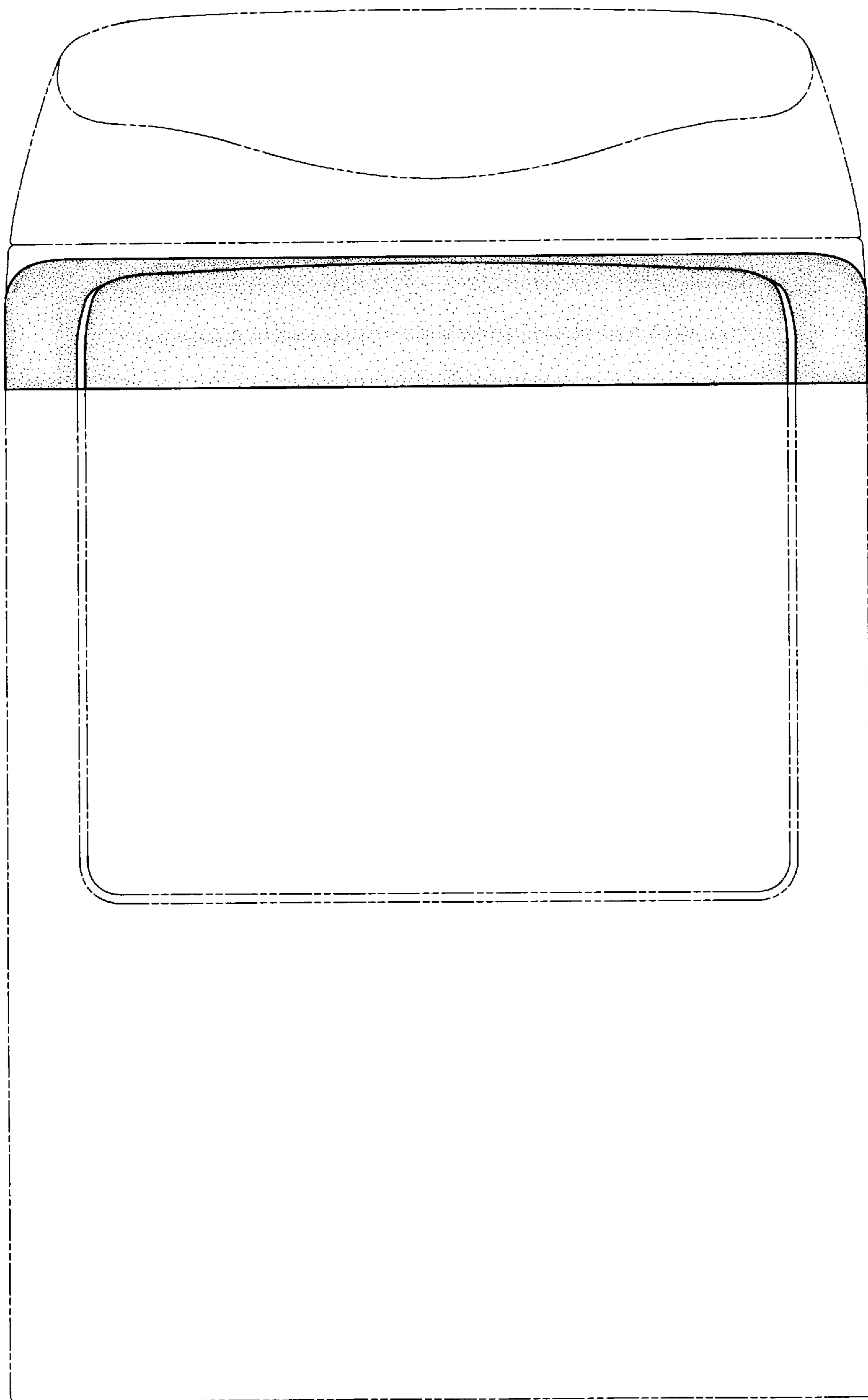


Fig. 3

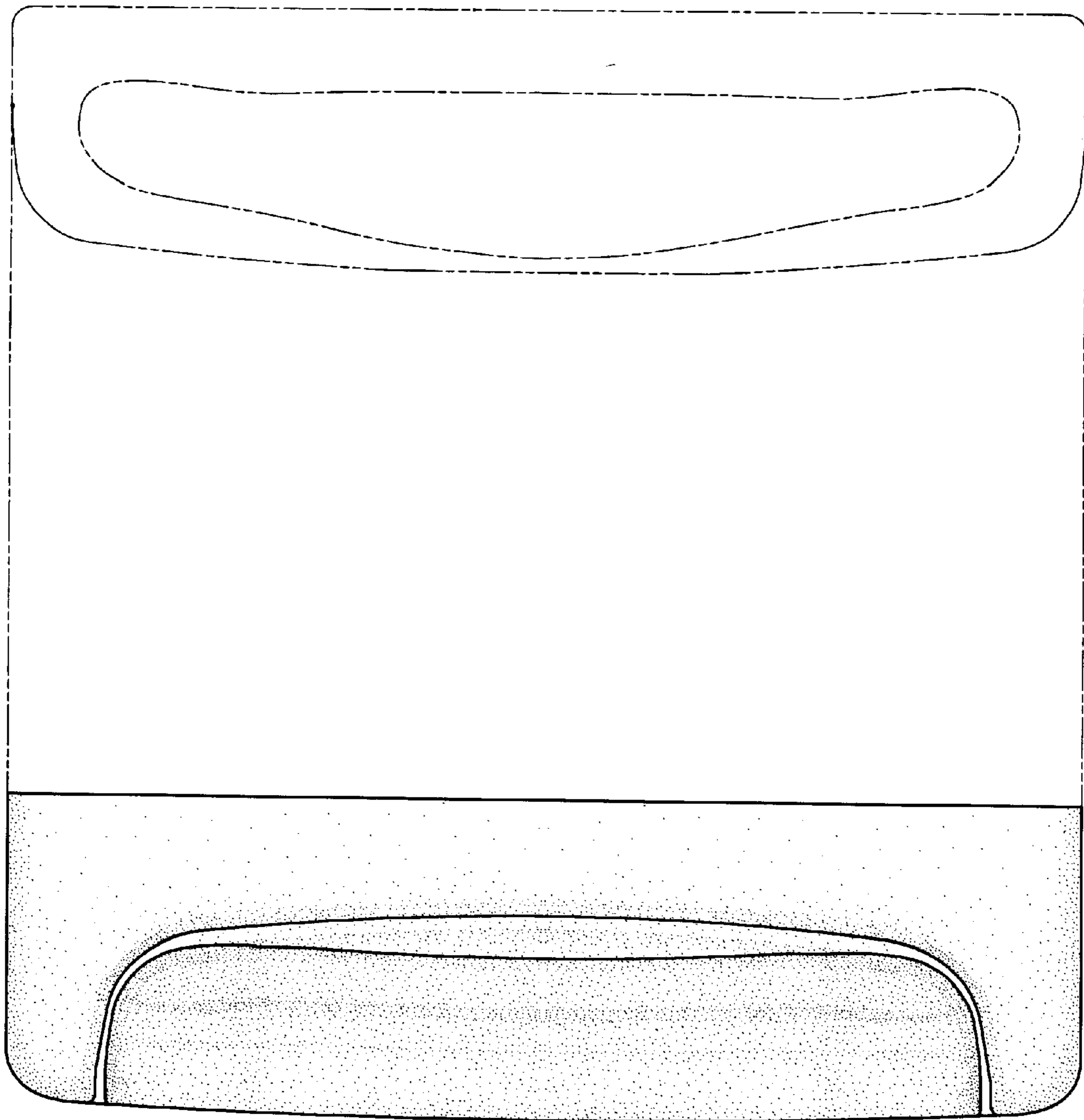


Fig. 4