



US00D485398S

(12) **United States Design Patent**
Green

(10) **Patent No.:** **US D485,398 S**

(45) **Date of Patent:** **** Jan. 13, 2004**

(54) **BIRD FEEDER**

D361,873 S * 8/1995 Nottingham et al. D30/124

(75) Inventor: **Thomas J. Green**, West Bend, WI (US)

* cited by examiner

(73) Assignee: **Gardner Equipment Company**,
Juneau, WI (US)

Primary Examiner—Pamela Burgess

(74) *Attorney, Agent, or Firm*—Andrus, Scales, Starke &
Sawall, LLP

(**) Term: **14 Years**

(57) **CLAIM**

(21) Appl. No.: **29/175,465**

The ornamental design of a bird feeder, as shown and described.

(22) Filed: **Feb. 5, 2003**

(51) **LOC (7) Cl.** **30-03**

(52) **U.S. Cl.** **D30/124**

(58) **Field of Search** D30/124, 121,
D30/131, 125-128; 119/428, 429, 433,
459, 468, 52.1, 57.9, 52.3, 57.8

DESCRIPTION

FIG. 1 is an isometric view of a bird feeder incorporating my new design;

FIG. 2 is an enlarged elevational view of any of the four sides thereof;

FIG. 3 is a top plan view thereof; and,

FIG. 4 is a bottom plan view thereof.

The broken lines shown in all figures are for illustrative purposes only and form no part of the claimed design.

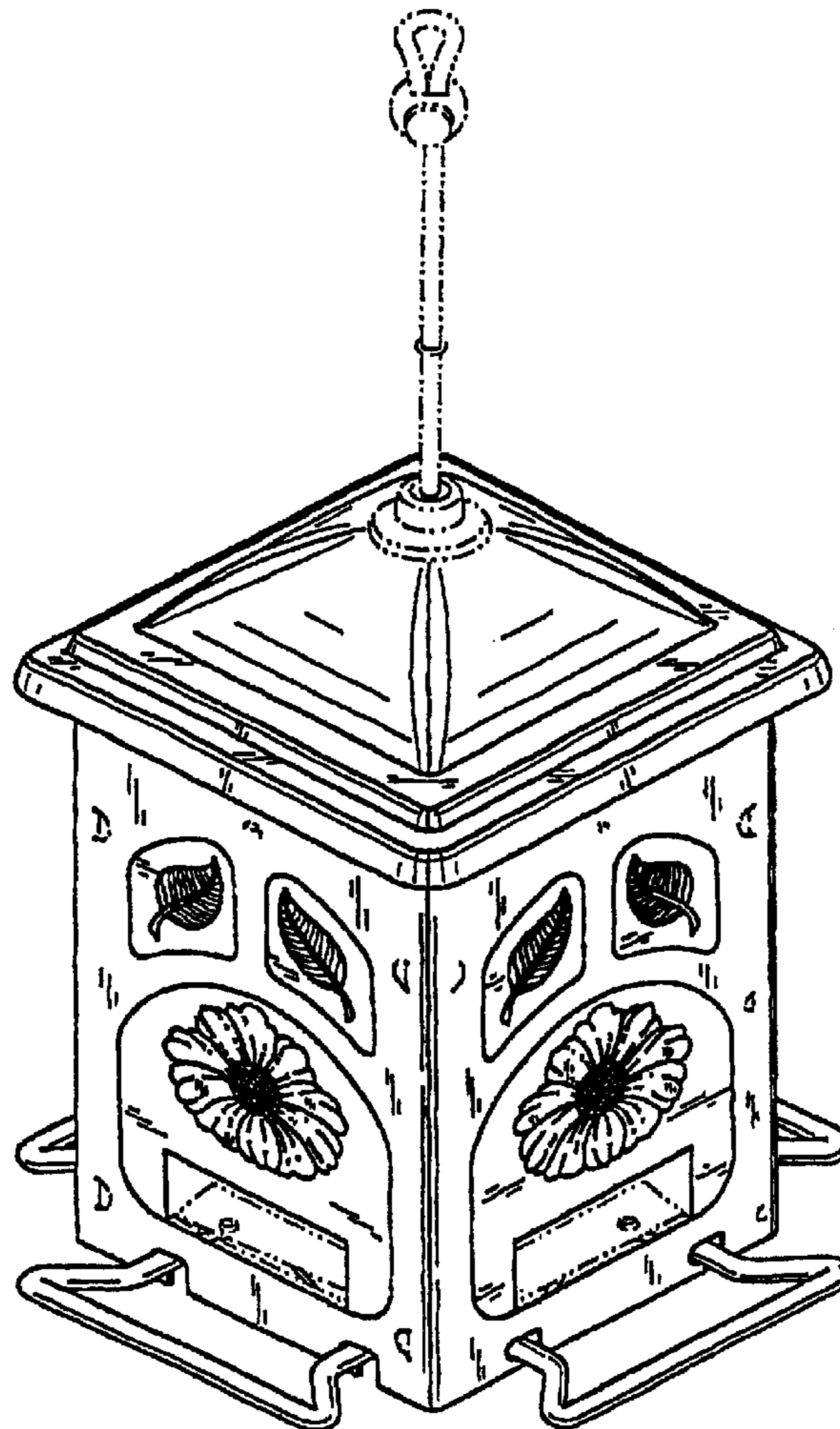
(56) **References Cited**

U.S. PATENT DOCUMENTS

D289,210 S * 4/1987 Tucker et al. D30/125

D328,655 S * 8/1992 Embree D30/124

1 Claim, 2 Drawing Sheets



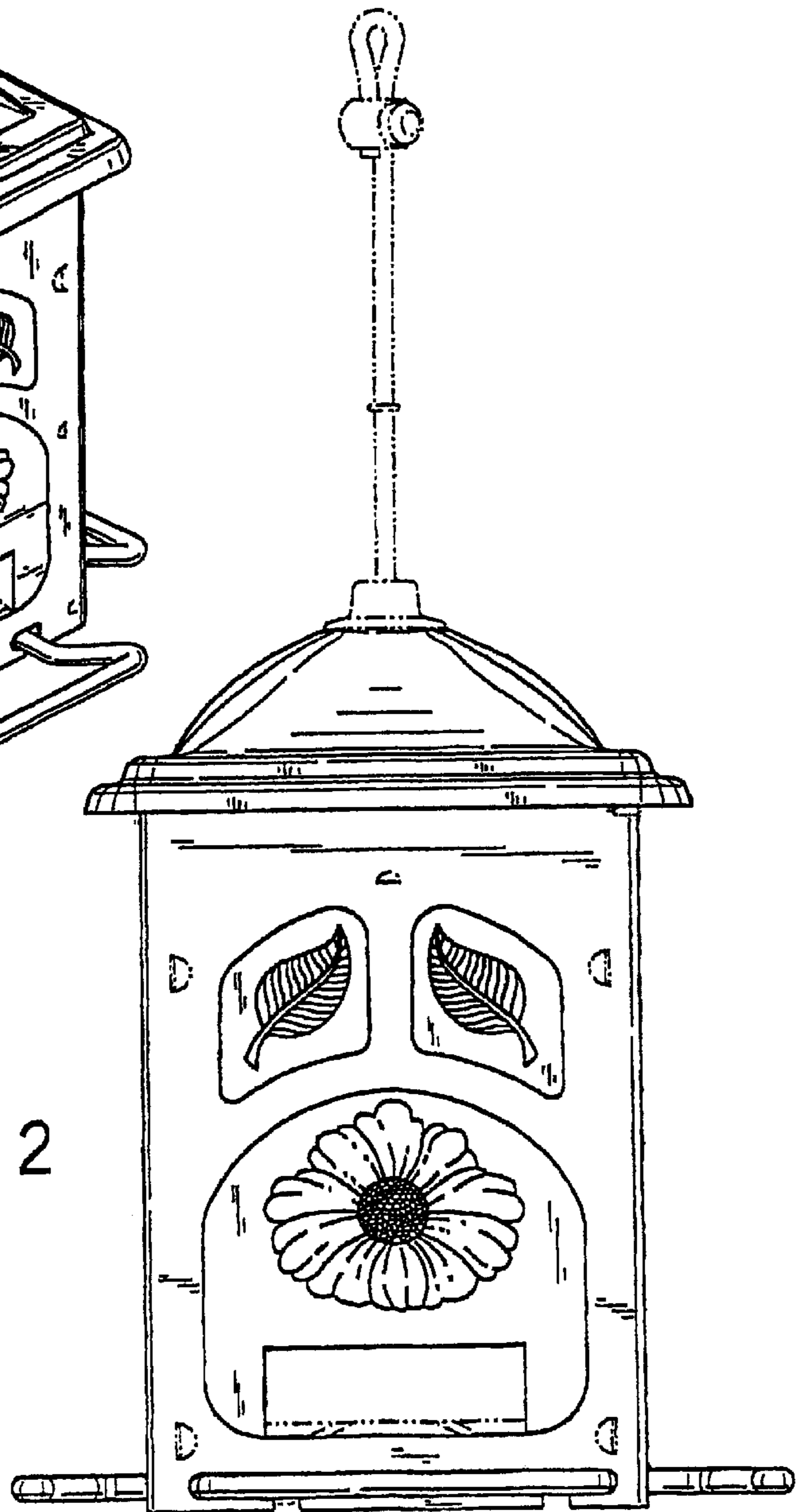
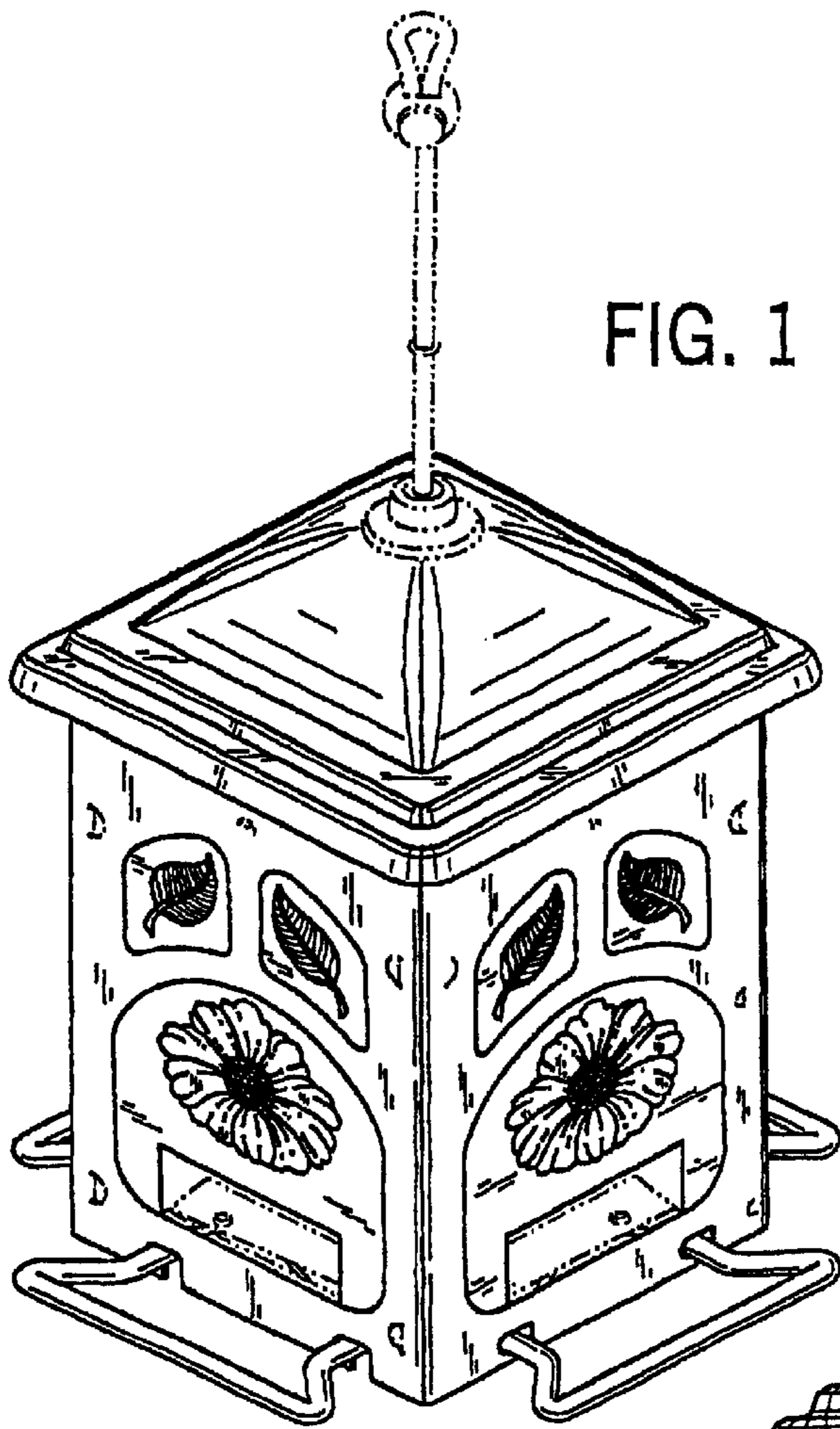


FIG. 3

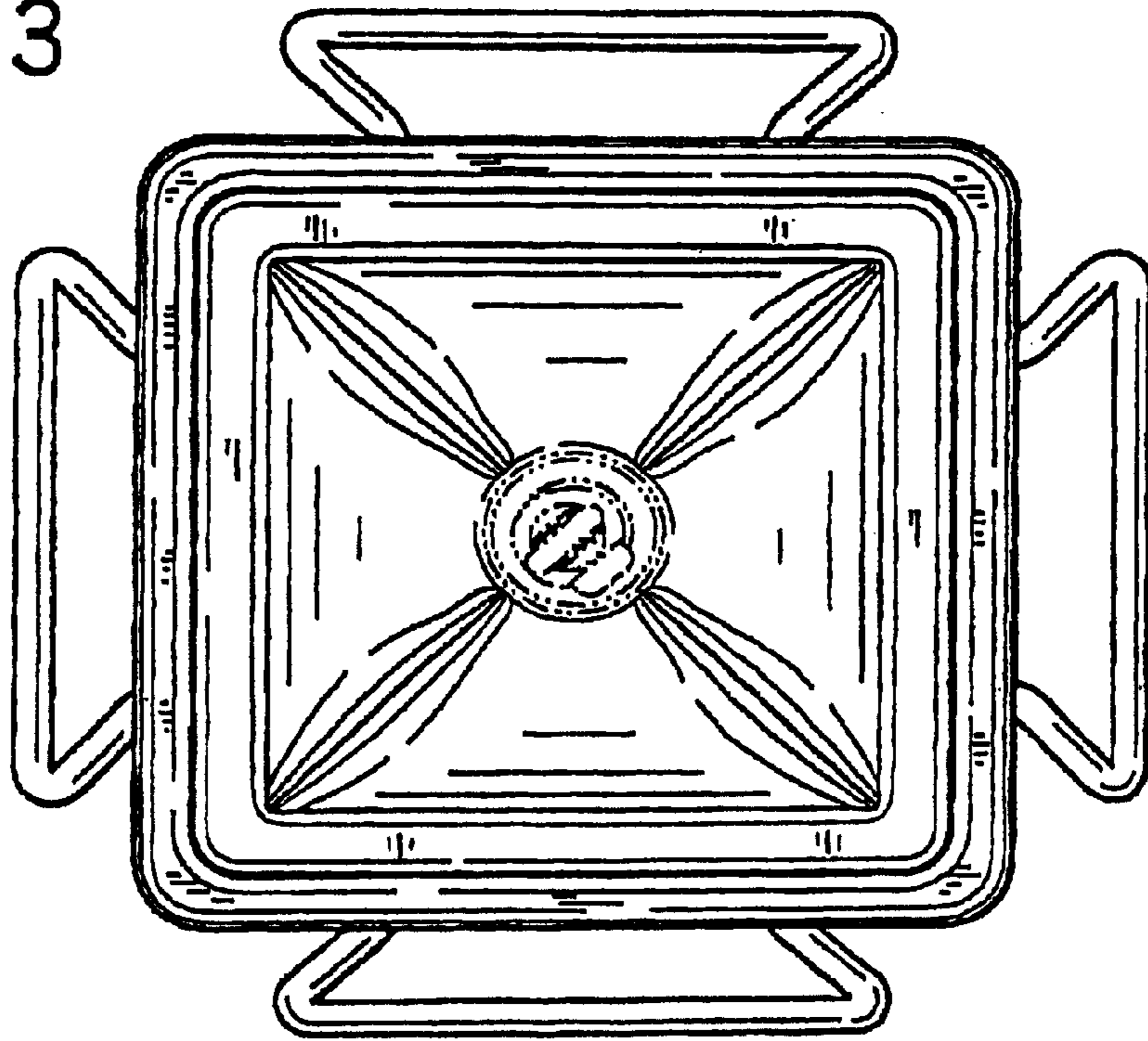


FIG. 4

