



US00D485393S

(12) **United States Design Patent**  
**Cervantes et al.**

(10) **Patent No.:** **US D485,393 S**

(45) **Date of Patent:** **\*\* Jan. 13, 2004**

(54) **CIGAR CADDY**

D395,731 S 6/1998 Olis  
D405,224 S 2/1999 Falconio  
D451,636 S \* 12/2001 Chang ..... D27/183

(76) Inventors: **Chris A Cervantes**, 27835 Higuera,  
Mission Viejo, CA (US) 92691; **Neal  
Patel**, 647-A S. Palm St., La Habra, CA  
(US) 90631

\* cited by examiner

*Primary Examiner*—Jennifer Rivard

(\*\*) Term: **14 Years**

(57) **CLAIM**

(21) Appl. No.: **29/177,930**

The ornamental design for a cigar caddy, as shown and described.

(22) Filed: **Mar. 18, 2003**

**DESCRIPTION**

(51) **LOC (7) Cl.** ..... **27-06**

(52) **U.S. Cl.** ..... **D27/183**

(58) **Field of Search** ..... 131/259; D27/172,  
D27/183; D8/356

The present design is for a cigar caddy, which may be used by golfers to support smoking articles such as cigars and cigarettes.

FIG. 1. is a perspective view of the cigar caddy in accordance with a preferred embodiment of the present design from the top, left, and front.

FIG. 2. is a side view of the cigar caddy in accordance with a preferred embodiment of the present design, from the right side.

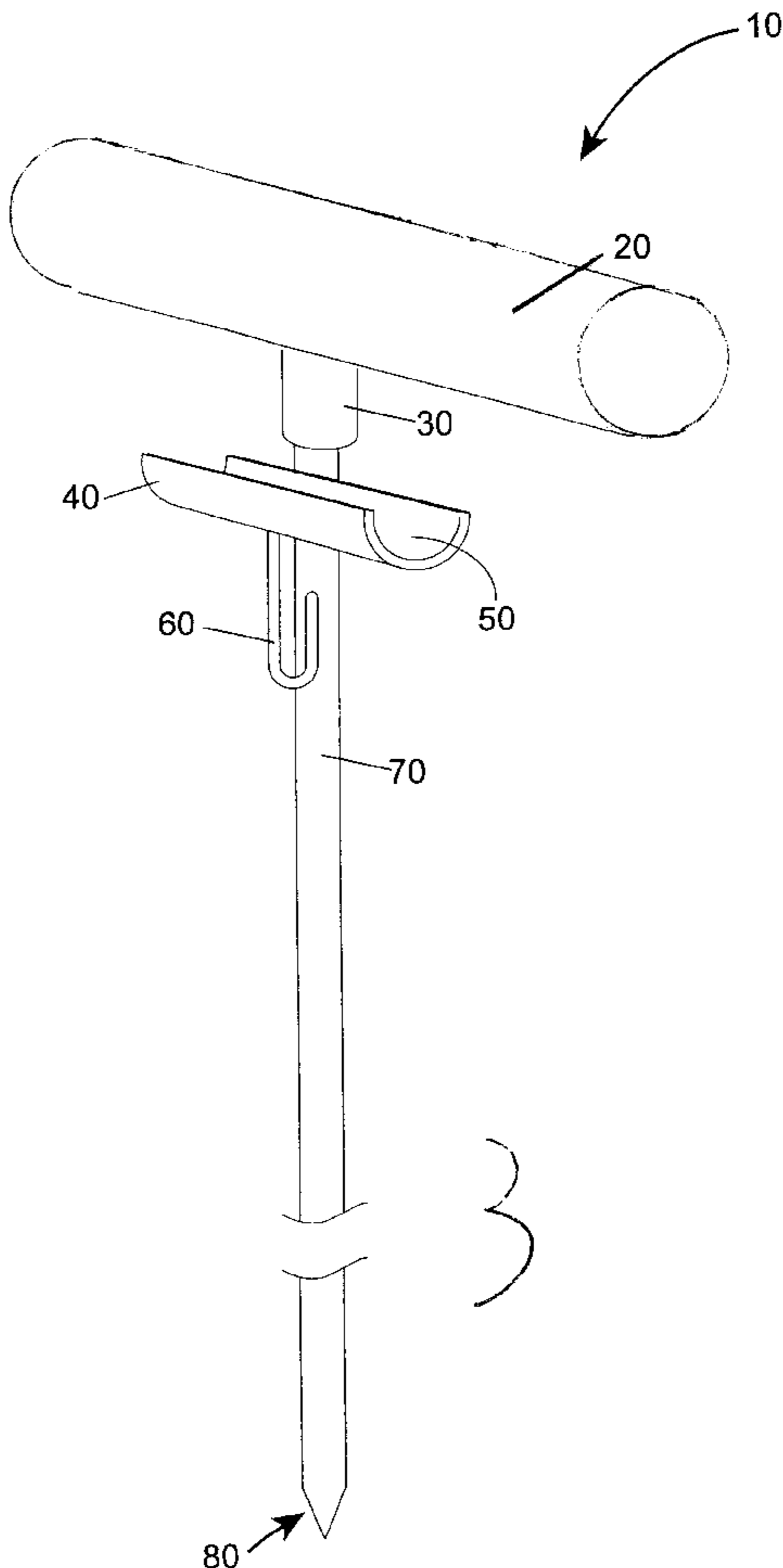
The cigar caddy as shown in brackets is of indeterminate length.

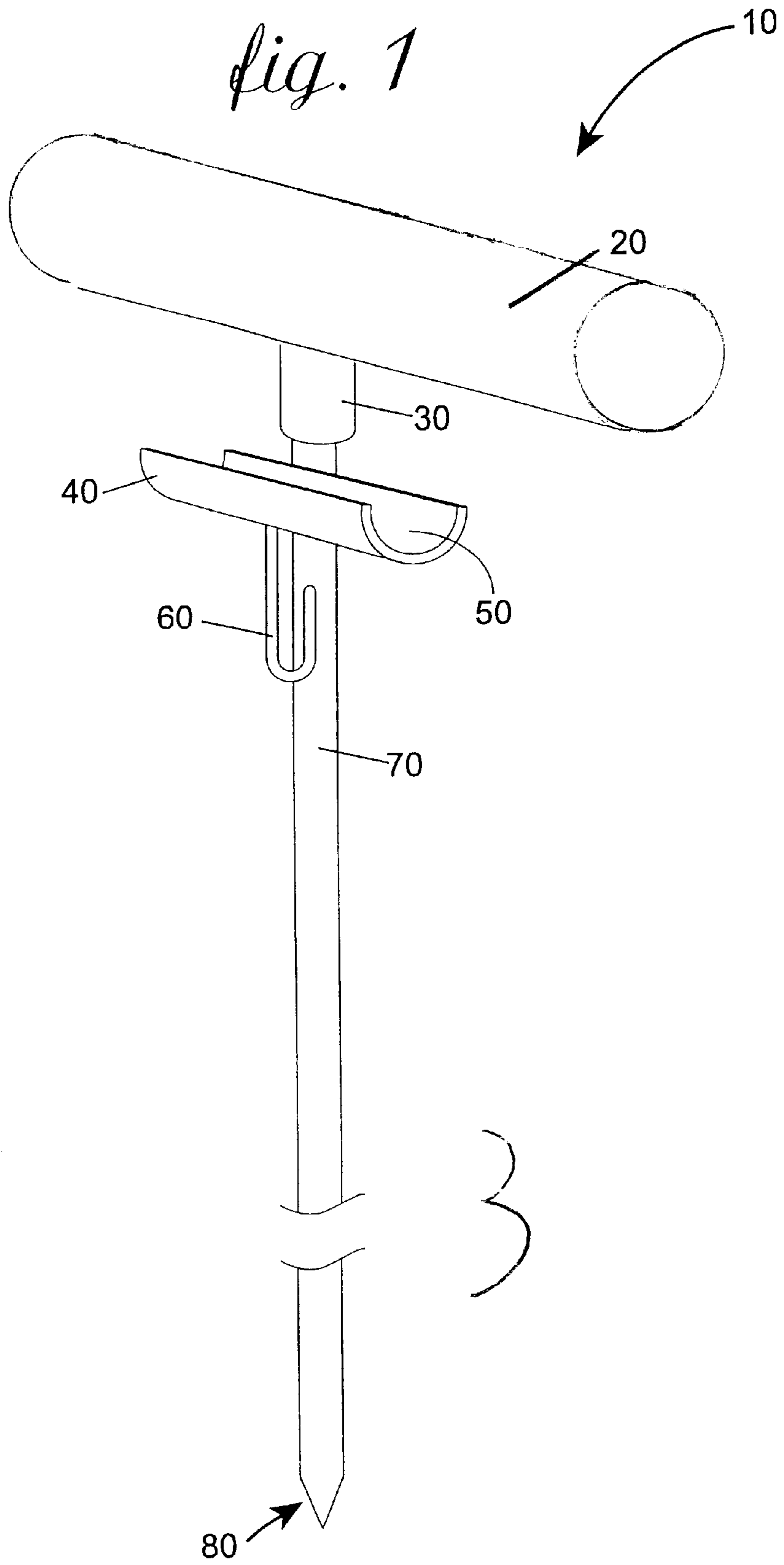
(56) **References Cited**

**U.S. PATENT DOCUMENTS**

3,001,529 A	9/1961	Watson
5,588,448 A	12/1996	Photakis
D379,551 S	5/1997	Hubbard
D380,862 S	7/1997	Hasselgren et al.
D385,059 S	10/1997	Jenkins
D392,410 S	3/1998	Lukach

**1 Claim, 2 Drawing Sheets**





*fig. 2*

