



US00D485390S

(12) **United States Design Patent**
Stancik et al.

(10) **Patent No.:** **US D485,390 S**
(45) **Date of Patent:** **** Jan. 13, 2004**

(54) **COMBINED PORTABLE NIGHT LIGHT AND RECHARGING CRADLE**

Primary Examiner—Alan P. Douglas
Assistant Examiner—Linda Brooks

(75) Inventors: **Blake Richards Stancik**, Seattle, WA (US); **Joan Elizabeth Smith**, Seattle, WA (US); **Ben Cameron Smith**, Seattle, WA (US); **Scott Craig Thielman**, Seattle, WA (US)

(57) **CLAIM**

The ornamental design for a combined portable night light and recharging cradle, as shown and described.

(73) Assignee: **B. Cameron Smith**, Seattle, WA (US)

(**) Term: **14 Years**

(21) Appl. No.: **29/172,209**

(22) Filed: **Dec. 6, 2002**

(51) **LOC (7) Cl.** **26-03**

(52) **U.S. Cl.** **D26/104**

(58) **Field of Search** D26/26, 72, 79,
D26/85, 88, 33, 93-112; 362/20, 183, 194,
410-414, 806; 320/115

DESCRIPTION

FIG. 1. is an exploded perspective view of the combined portable night light separated from the recharging cradle showing the interior component of the portable night light through the translucent outer surface;

FIG. 2. is a side view with the portable night light resting on the recharging cradle showing the interior components of the portable night light through the translucent outer surface;

FIG. 3. is an enlarged, exploded perspective view of the translucent and interior parts of the portable night light, the recharging cradle not being shown for convenience of illustration;

FIG. 4. is a top view of the portable night light showing the interior components of the portable night light through the translucent outer surface, the recharging cradle not being seen for convenience of illustration;

FIG. 5. is a bottom view thereof, the recharging cradle not being shown for convenience of illustration; and,

FIG. 6. is a top view of the recharging cradle, shown separately for clarity of illustration.

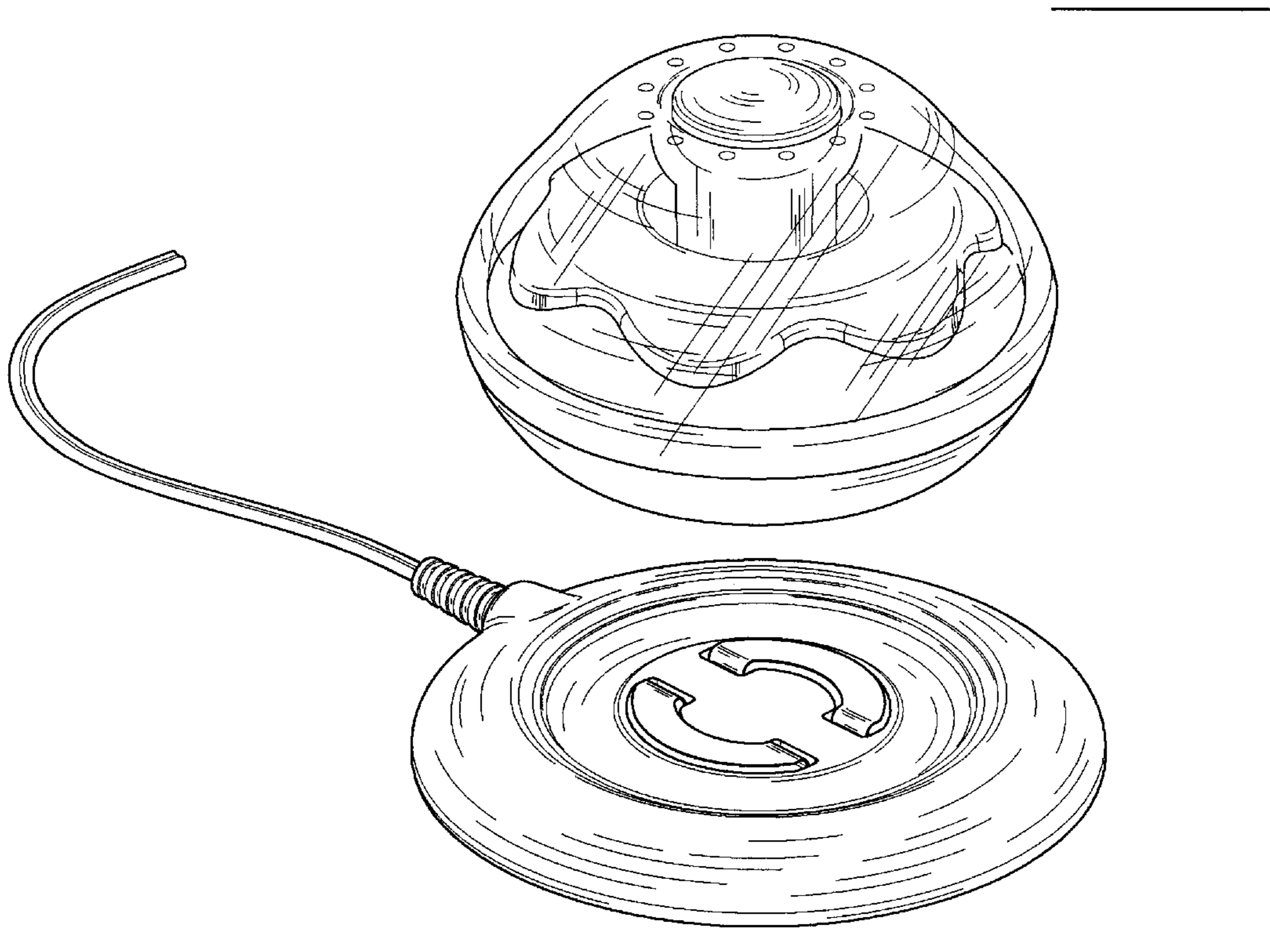
(56) **References Cited**

U.S. PATENT DOCUMENTS

D271,241 S	*	11/1983	Vrignaud	D26/85
D377,536 S	*	1/1997	Yuen	D26/72
5,908,233 A	*	6/1999	Heskett et al.	362/183
6,034,505 A	*	3/2000	Arthur et al.	320/115 X

* cited by examiner

1 Claim, 4 Drawing Sheets



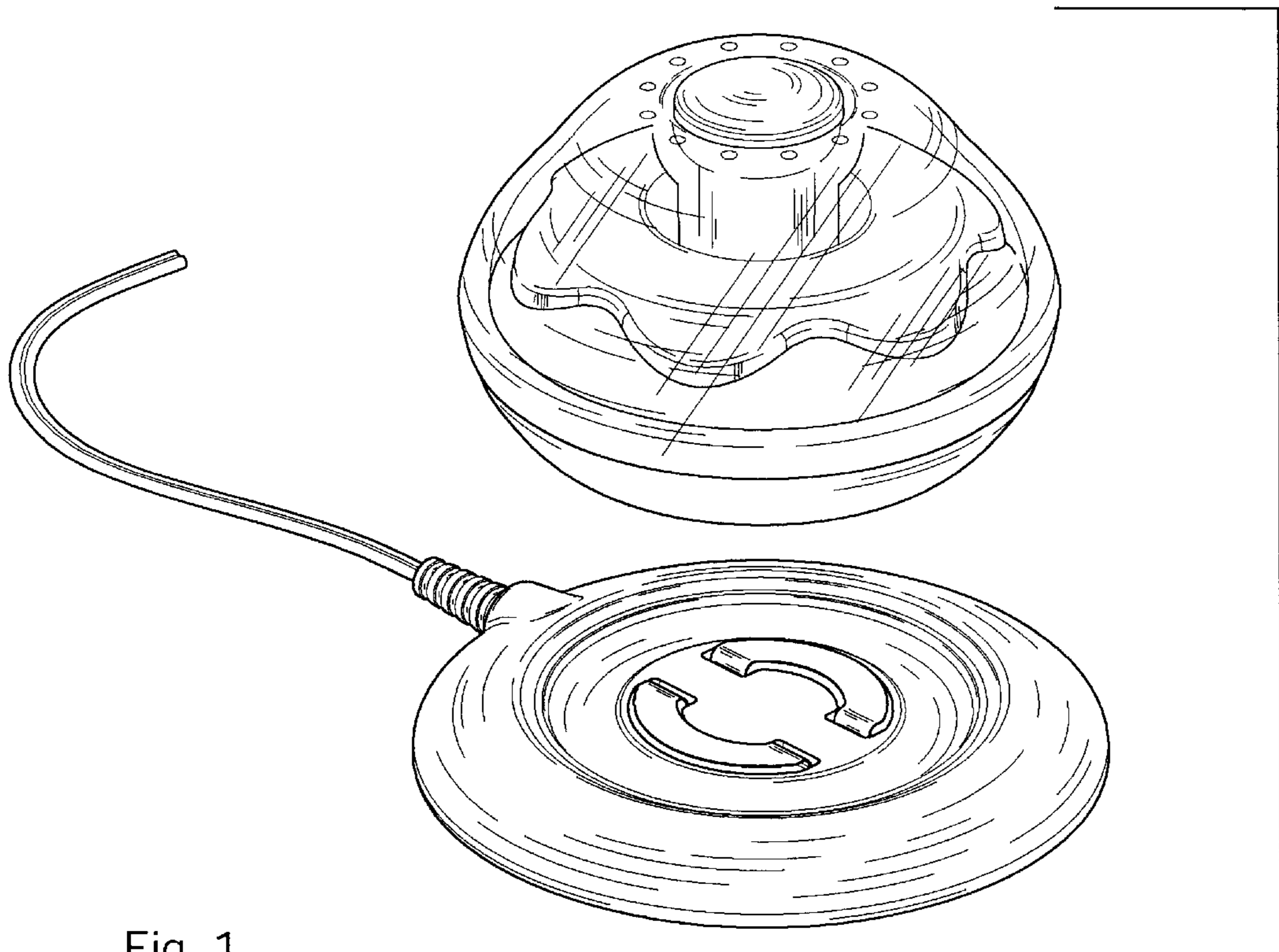


Fig. 1

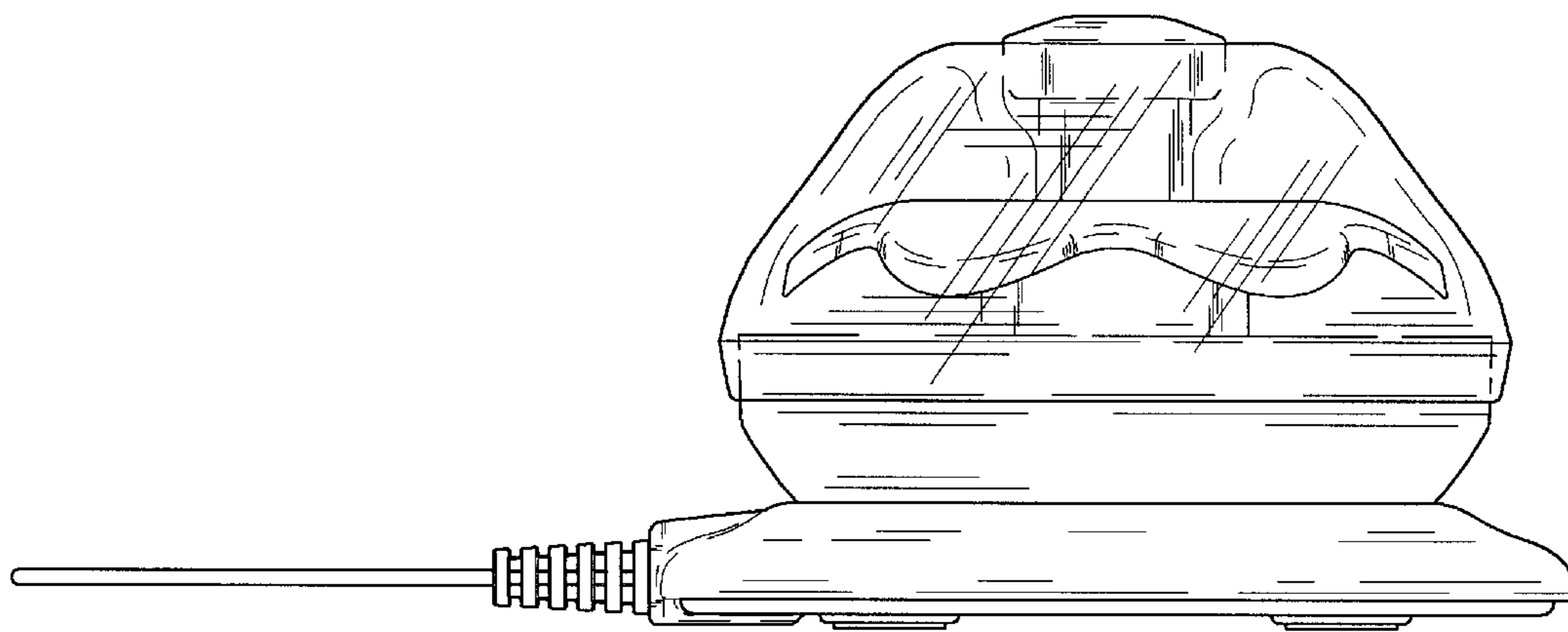


Fig. 2

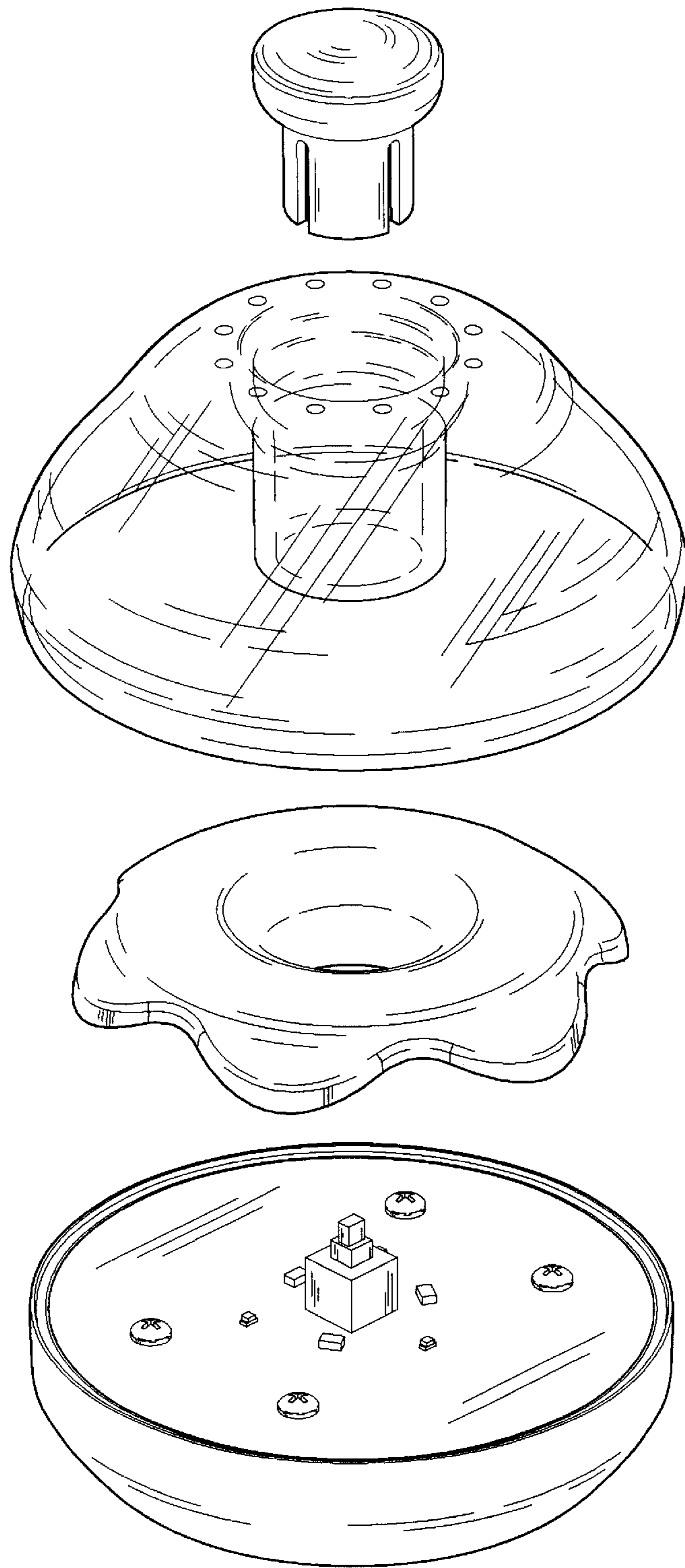


Fig. 3

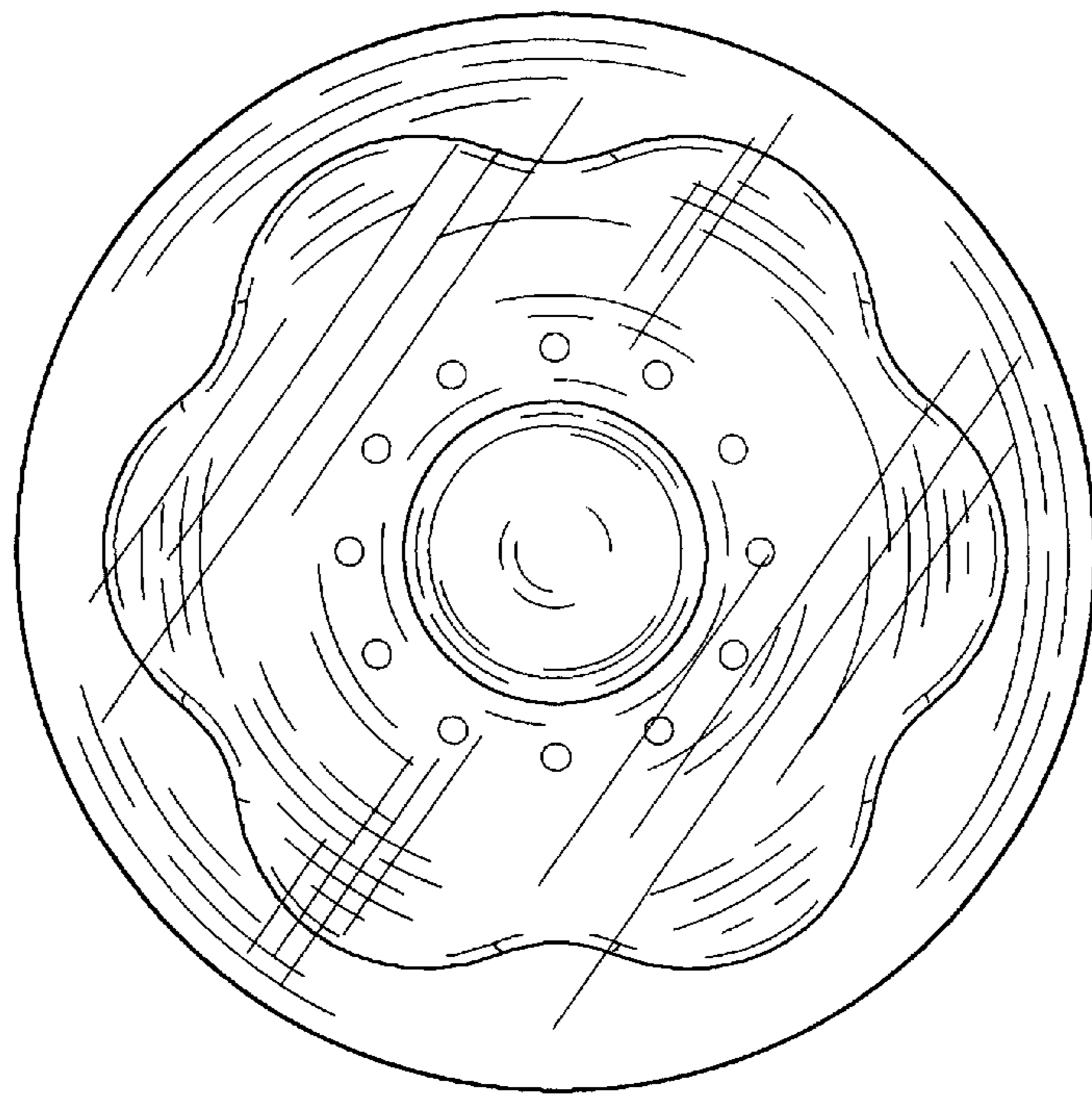


Fig. 4

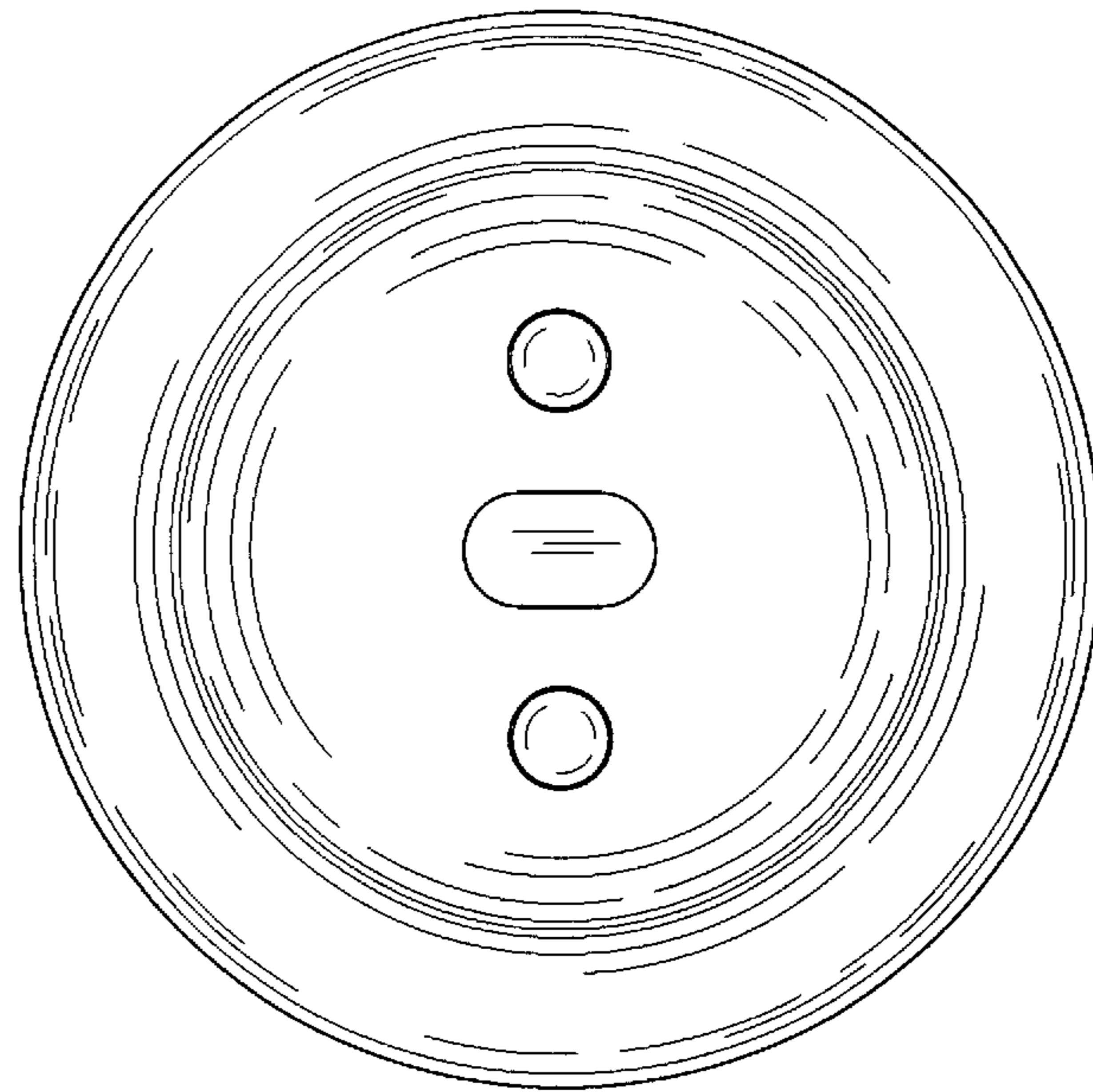


Fig. 5

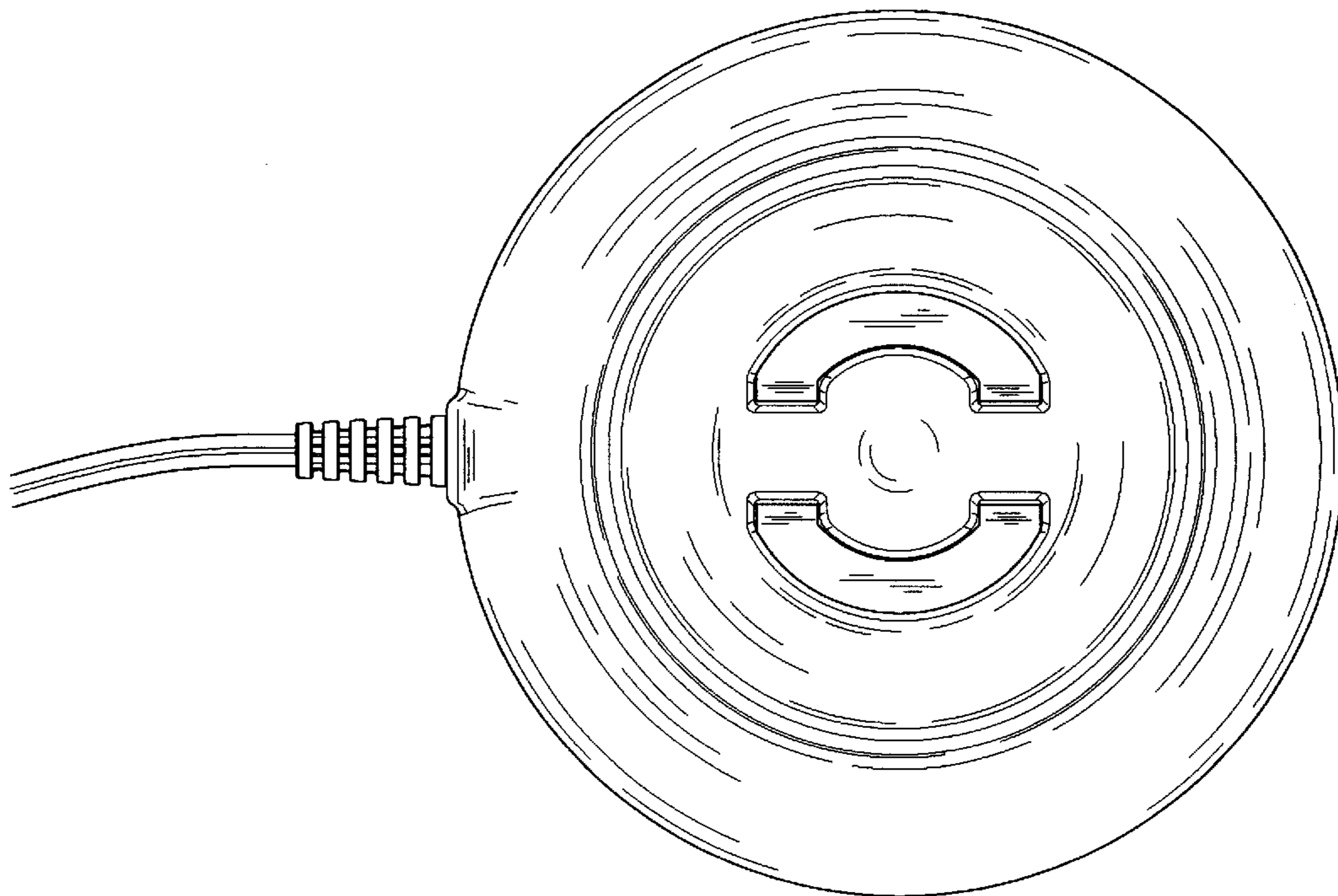


Fig. 6