



US00D485389S

(12) **United States Design Patent**
Weiser et al.

(10) **Patent No.:** **US D485,389 S**
(45) **Date of Patent:** **** Jan. 13, 2004**

(54) **DRAGONFLY LIGHT**

(75) Inventors: **Margaret Weiser**, Tarzana, CA (US);
Shari Weiser, Woodland Hills, CA (US)

(73) Assignee: **Exhart Environmental Systems, Inc.**,
Chatsworth, CA (US)

(**) Term: **14 Years**

(21) Appl. No.: **29/181,905**

(22) Filed: **May 16, 2003**

(51) **LOC (7) Cl.** **26-05**

(52) **U.S. Cl.** **D26/73; D26/67**

(58) **Field of Search** D26/24, 47, 94,
D26/67-73, 80, 82, 84-92, 128; 362/124,
145, 147, 153, 153.1, 186, 257, 276, 312,
330, 351, 354, 358, 361-363, 431-433,
806

(56) **References Cited**

U.S. PATENT DOCUMENTS

2,080,259	A	5/1937	Frei, Jr.	
2,797,310	A	6/1957	Moore	
3,153,773	A	10/1964	Wood	
D217,062	S	* 3/1970	Campana	D26/68
4,903,179	A	2/1990	Lin	362/184
D312,889	S	12/1990	Swadell	D26/168
5,003,439	A	3/1991	Yang	362/153
D323,406	S	1/1992	Fisher	D26/67
5,211,470	A	5/1993	Frost et al.	362/183
5,504,397	A	4/1996	Chien	315/185
5,799,124	A	8/1998	Zorn et al.	385/125
5,829,862	A	* 11/1998	Ferrell	362/554
6,010,235	A	* 1/2000	Sawyer	362/351
D426,012	S	5/2000	Giese et al.	D26/68

D428,663	S	* 7/2000	Hsieh	D26/94
D429,838	S	* 8/2000	Hsieh	D26/94
D444,253	S	6/2001	Blanchard	D26/67
6,328,457	B1	12/2001	Huang	362/353
6,367,953	B1	4/2002	Lee	362/252
6,392,541	B1	5/2002	Bucher et al.	340/541
6,513,957	B2	2/2003	Huang	362/431
2002/0097577	A1	7/2002	Huang	362/240
2002/0176260	A1	11/2002	Liao	362/551
2002/0196633	A1	12/2002	Huang	362/431

FOREIGN PATENT DOCUMENTS

EP 528539 A1 2/1993

OTHER PUBLICATIONS

Taiwan Lighting May 2000; p. 241; item EB38105-C.*
Stone Manor Lighting Dragonfly Garden Light. (c)2001.
Found at stonemanorlighting.com.*

* cited by examiner

Primary Examiner—Clare E Heflin

(74) *Attorney, Agent, or Firm*—Cislo & Thomas LLP

(57) **CLAIM**

The ornamental design for a dragonfly light, as shown and described.

DESCRIPTION

FIG. 1. Is a left side elevational view of our dragonfly light with the right side elevational view being a mirror image thereof;

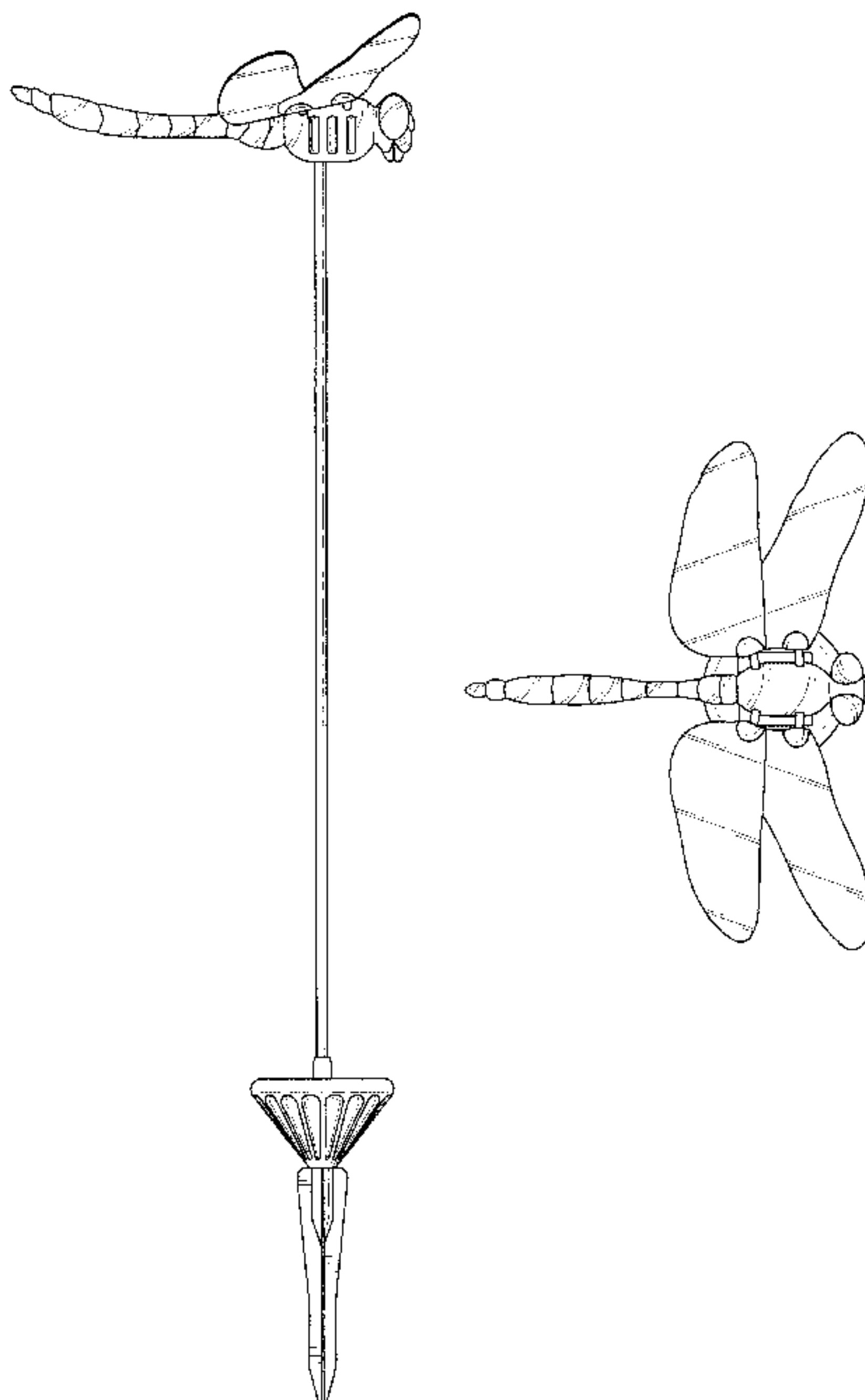
FIG. 2. Is a front view thereof;

FIG. 3. Is a rear view thereof;

FIG. 4. Is a top view thereof; and,

FIG. 5 is a bottom view thereof.

1 Claim, 2 Drawing Sheets



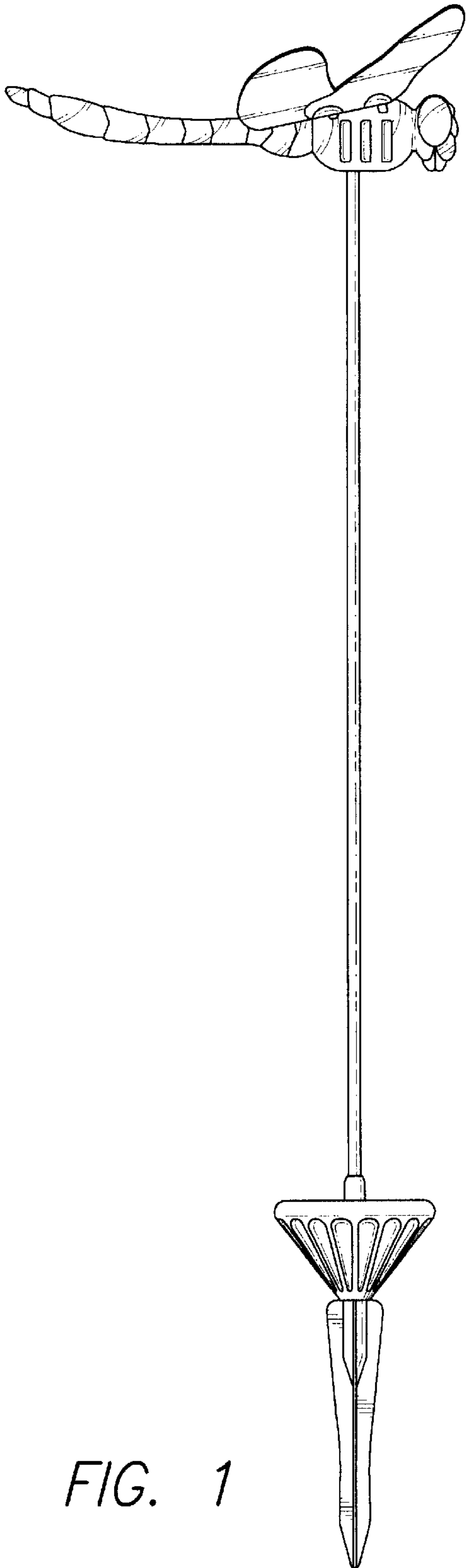


FIG. 1

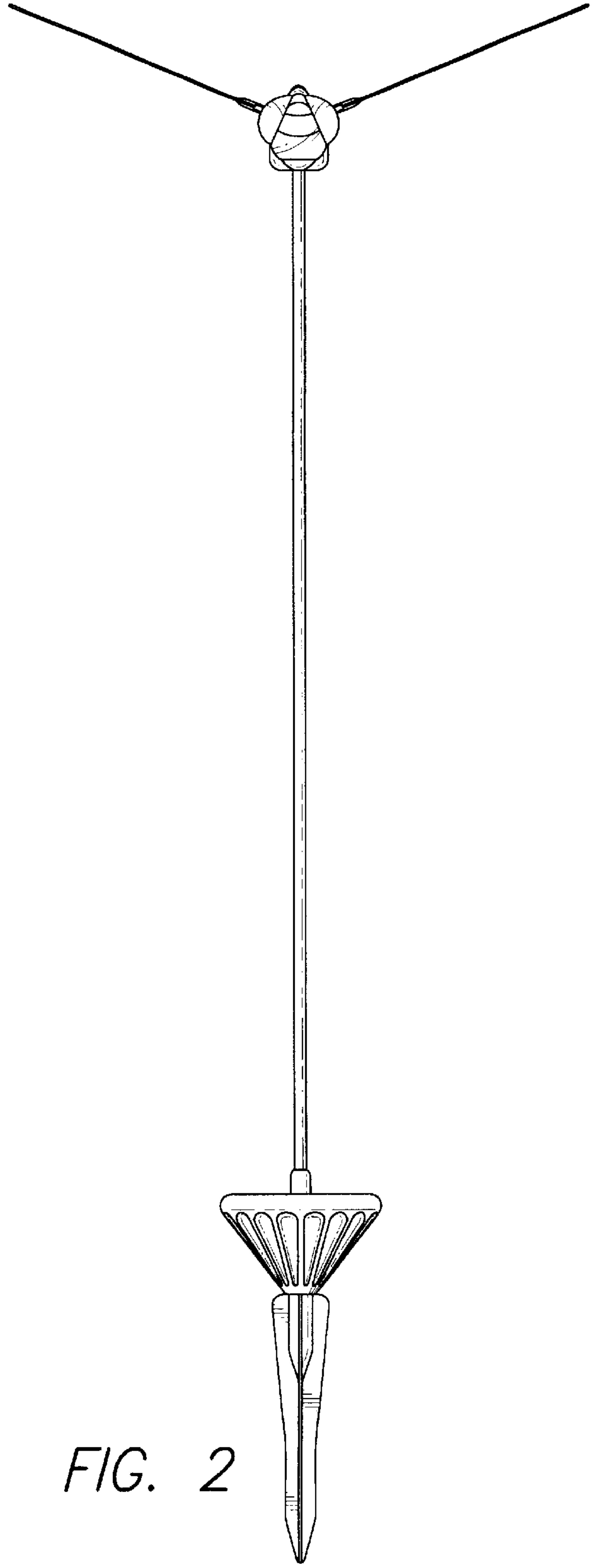


FIG. 2

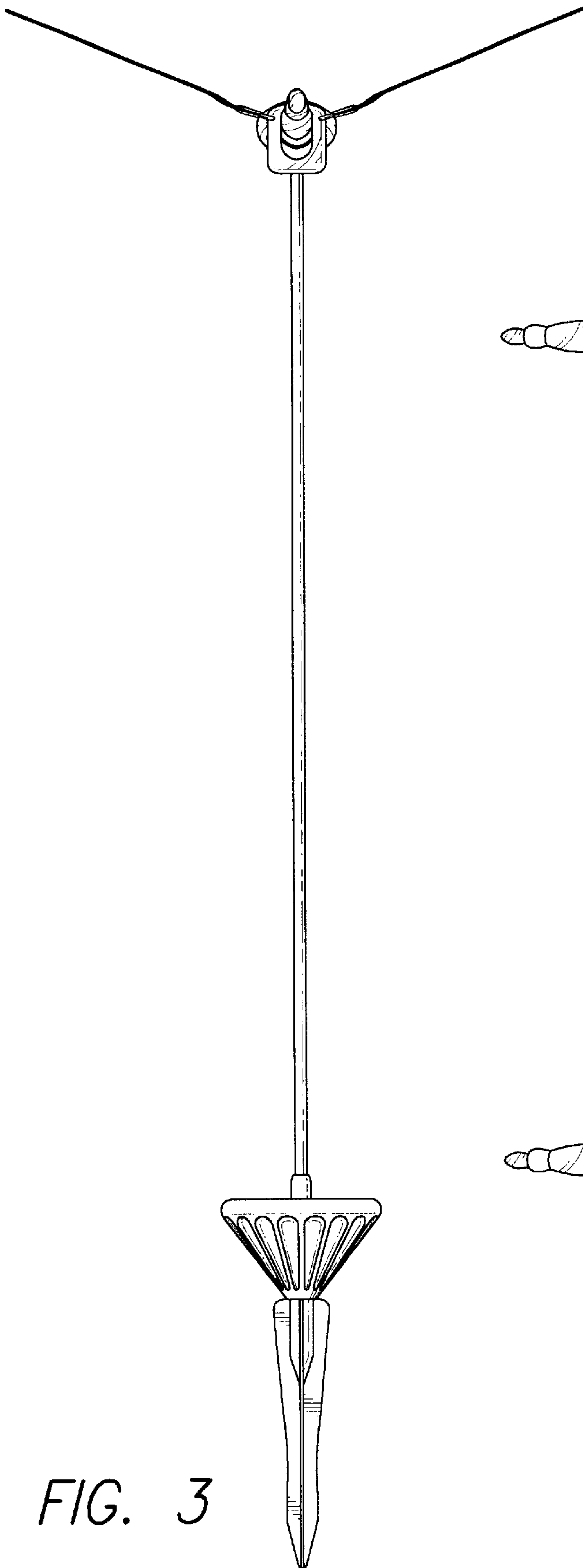


FIG. 3

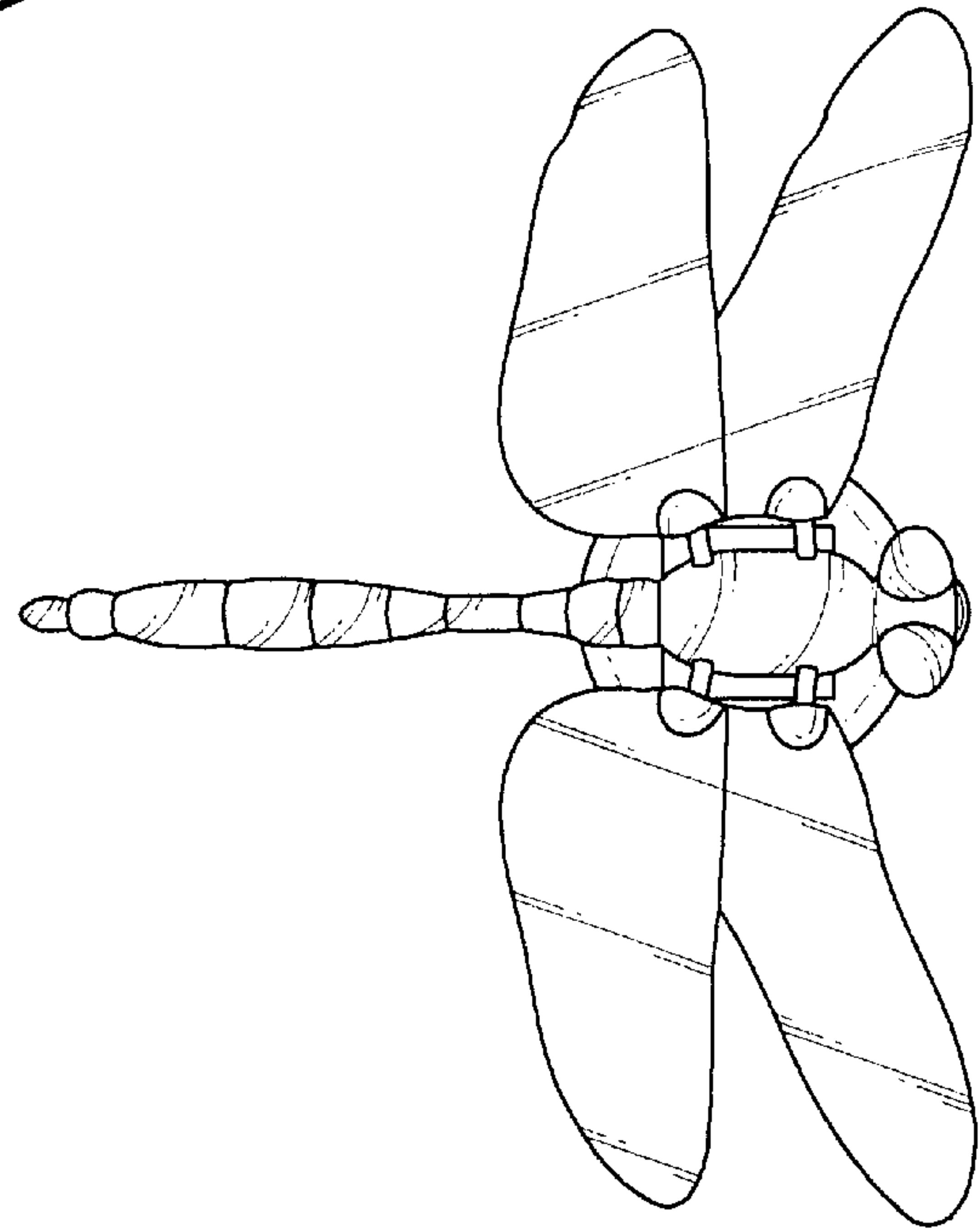


FIG. 4

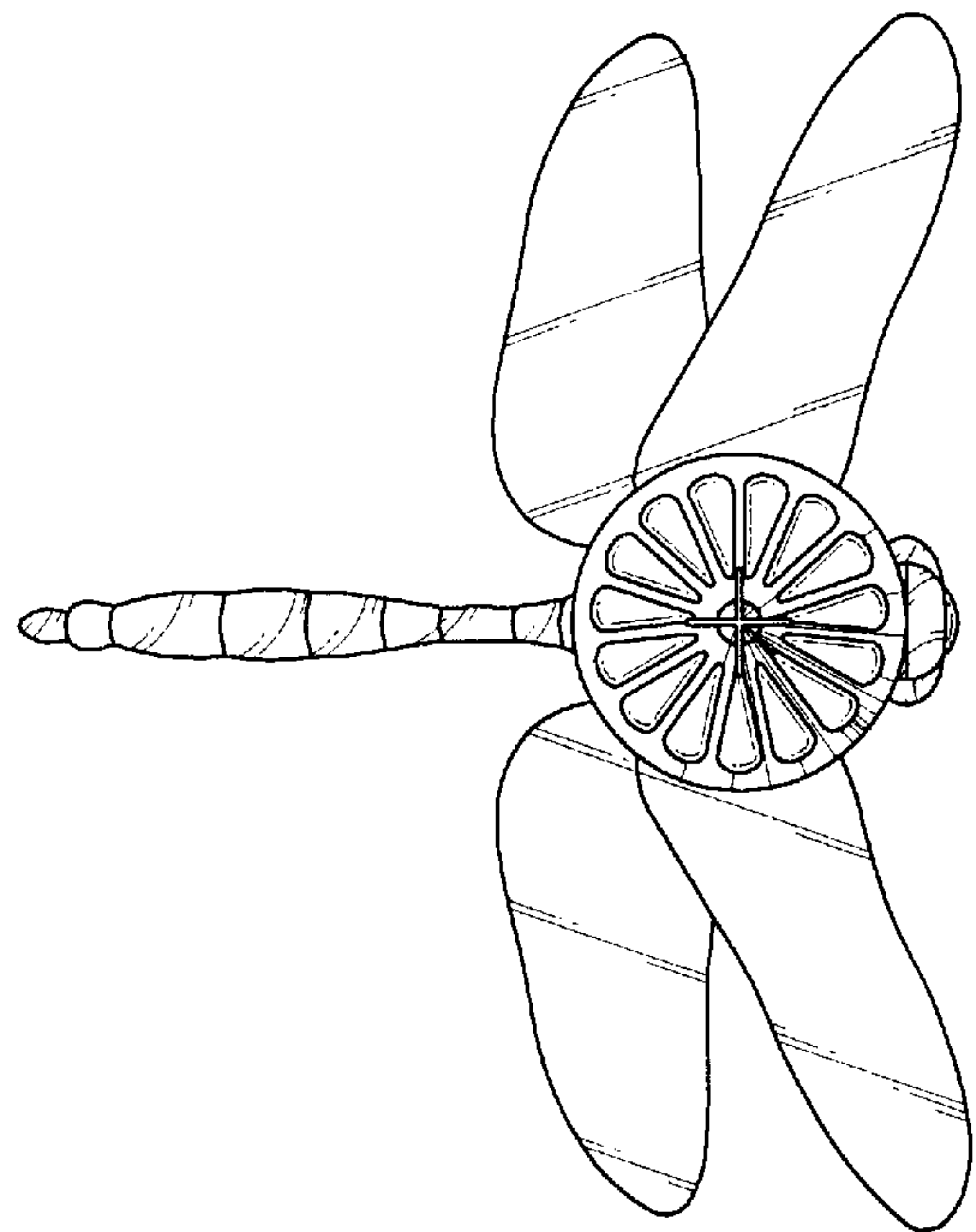


FIG. 5