



US00D485388S

(12) **United States Design Patent**
Weiser et al.

(10) **Patent No.:** **US D485,388 S**
(45) **Date of Patent:** **** Jan. 13, 2004**

(54) **LIGHT STICK**

(75) Inventors: **Margaret Weiser**, Tarzana, CA (US);
Shari Weiser, Woodland Hills, CA (US)

(73) Assignee: **Exhart Environmental Systems, Inc.**,
Chatsworth, CA (US)

(**) Term: **14 Years**

(21) Appl. No.: **29/182,860**

(22) Filed: **May 30, 2003**

(51) **LOC (7) Cl.** **26-05**

(52) **U.S. Cl.** **D26/67**

(58) **Field of Search** D26/24, 47, 67-73,
D26/80, 82, 84-92, 128; D10/114; 362/124,
145, 147, 153, 153.1, 186, 257, 276, 312,
330, 351, 354, 358, 361-363, 431-433,
806, 249, 505, 540, 485, 486

(56) **References Cited**

U.S. PATENT DOCUMENTS

2,636,109 A *	4/1953	Cone	362/506
2,797,310 A	6/1957	Moore	
3,153,773 A	10/1964	Wood	
D217,062 S *	3/1970	Campana	D26/68
3,890,497 A *	6/1975	Rush	362/473
4,143,411 A *	3/1979	Roberts	362/145
D274,317 S *	6/1984	Nelson	D10/114
4,755,791 A *	7/1988	Kuroda	362/524
4,903,179 A	2/1990	Lin	362/184
D312,889 S	12/1990	Swadell	D26/168
4,986,628 A *	1/1991	Lozhenko et al.	362/551
5,003,439 A	3/1991	Yang	362/153
D323,406 S	1/1992	Fisher	D26/67

5,211,470 A	5/1993	Frost et al.	362/183
D367,330 S *	2/1996	Gill	D26/28
5,504,397 A	4/1996	Chien	315/185
5,799,124 A	8/1998	Zorn	385/125
D426,012 S	5/2000	Giese et al.	D26/68
D444,253 S	6/2001	Blanchard	D26/67
6,328,457 B1	12/2001	Huang	362/353
6,392,541 B1	5/2002	Bucher et al.	340/332
6,398,391 B1 *	6/2002	Huang	362/431
6,513,957 B2	2/2003	Huang	362/431
2002/0044452 A1 *	4/2002	Wang	362/528
2002/0097577 A1	7/2002	Huang	362/240
2002/0176260 A1	11/2002	Liao	362/551
2002/0196633 A1	12/2002	Huang	362/431

FOREIGN PATENT DOCUMENTS

EP 528539 A1 2/1993

* cited by examiner

Primary Examiner—Clare E. Heflin

(74) *Attorney, Agent, or Firm*—Cislo & Thomas LLP

(57) **CLAIM**

The ornamental design for a light stick, as shown and described.

DESCRIPTION

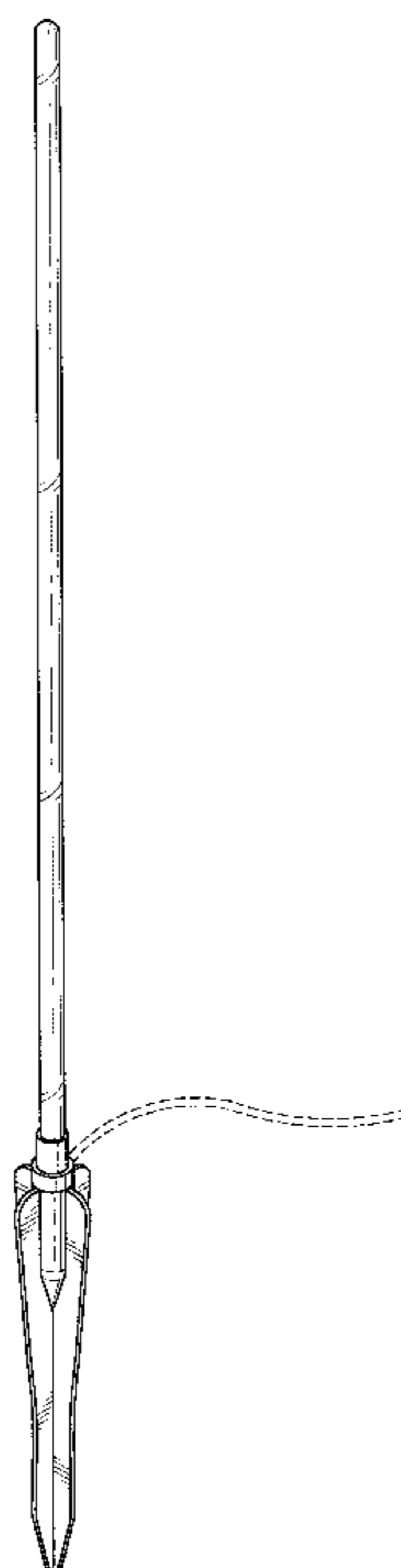
FIG. 1. Is a perspective view of our light stick, with the dotted line showing being for illustrative purposes only and to which no claim is made and is intended to depict an electrical conduit;

FIG. 2. Is a front elevational view thereof with the right and left side views as well as the rear view being a mirror image thereof;

FIG. 3. Is a bottom plan view thereof; and,

FIG. 4. Is a top plan view thereof.

1 Claim, 2 Drawing Sheets



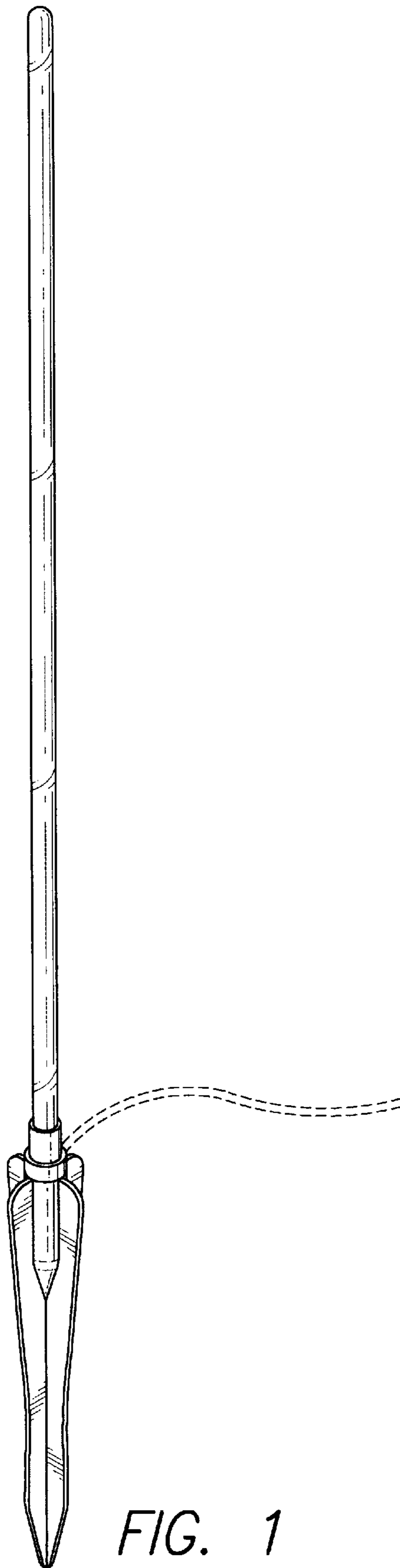


FIG. 1

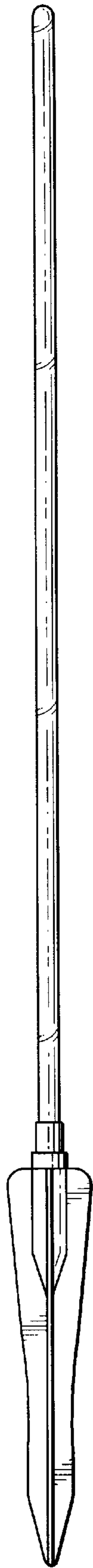


FIG. 2

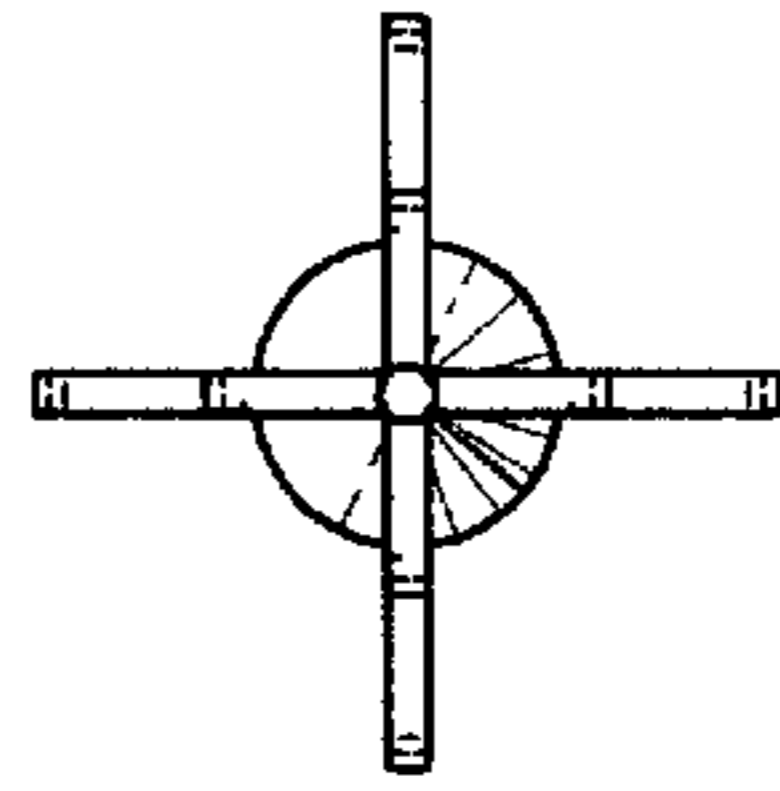


FIG. 3

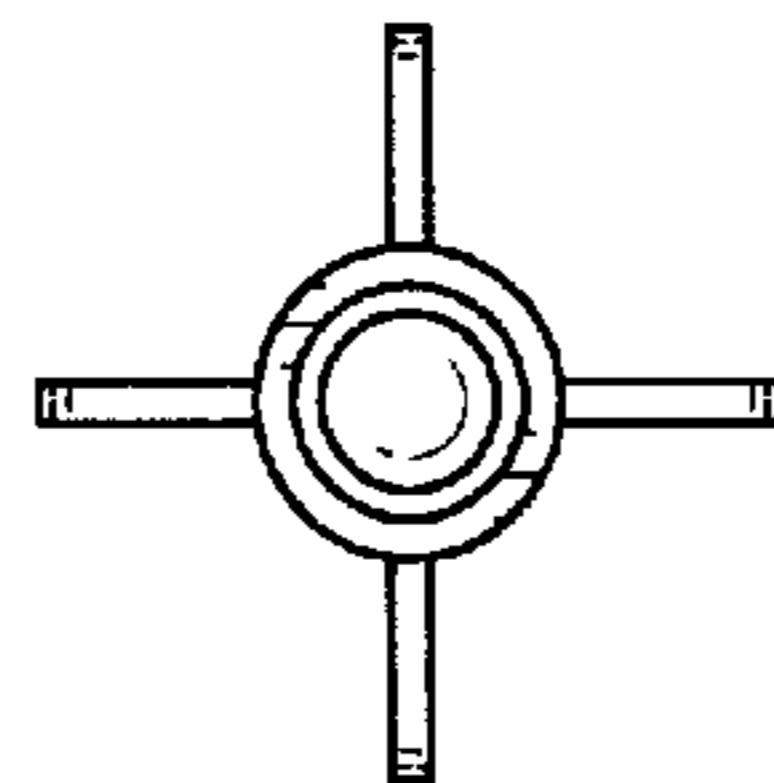


FIG. 4