



US00D485386S

(12) **United States Design Patent**  
**Cheong et al.**

(10) **Patent No.:** **US D485,386 S**  
(45) **Date of Patent:** **\*\* Jan. 13, 2004**

(54) **SOLAR POWERED OUTDOOR LIGHT**

(75) Inventors: **Ellis Hon Siu Cheong**, Shunshine (HK); **Gary Mazurek**, Plano, TX (US)

(73) Assignee: **The Brinkmann Corporation**, Dallas, TX (US)

(\*\*) Term: **14 Years**

(21) Appl. No.: **29/176,294**

(22) Filed: **Feb. 19, 2003**

(51) **LOC (7) Cl.** ..... **26-05**

(52) **U.S. Cl.** ..... **D26/67**

(58) **Field of Search** ..... D26/67, 68-70, D26/72-92, 113, 118, 128, 129; 362/147, 363, 367, 368, 404-408, 432, 431, 153, 153.1, 159

(56) **References Cited**

**U.S. PATENT DOCUMENTS**

D77,957 S	*	3/1929	Helvey	.....	D26/67
D174,139 S	*	3/1955	Sadler	.....	D26/68
D453,388 S	*	2/2002	Leen	.....	D26/67
D461,577 S	*	8/2002	Cheong	.....	D26/67
D464,456 S	*	10/2002	Chang	.....	D26/67
D468,853 S	*	1/2003	Chang	.....	D26/67

**OTHER PUBLICATIONS**

CENS Lighting Jul. 2002; p. 82; items Bt1011, BT1006 UP and BT1007 SO.\*

The Brinkmann Corporation 2002/2003 Confidential Price List, Aug. 1, 2002, p. 67.

\* cited by examiner

*Primary Examiner*—Clare E Heflin

(74) *Attorney, Agent, or Firm*—Sheppard, Mullin, Richter & Hampton LLP

(57) **CLAIM**

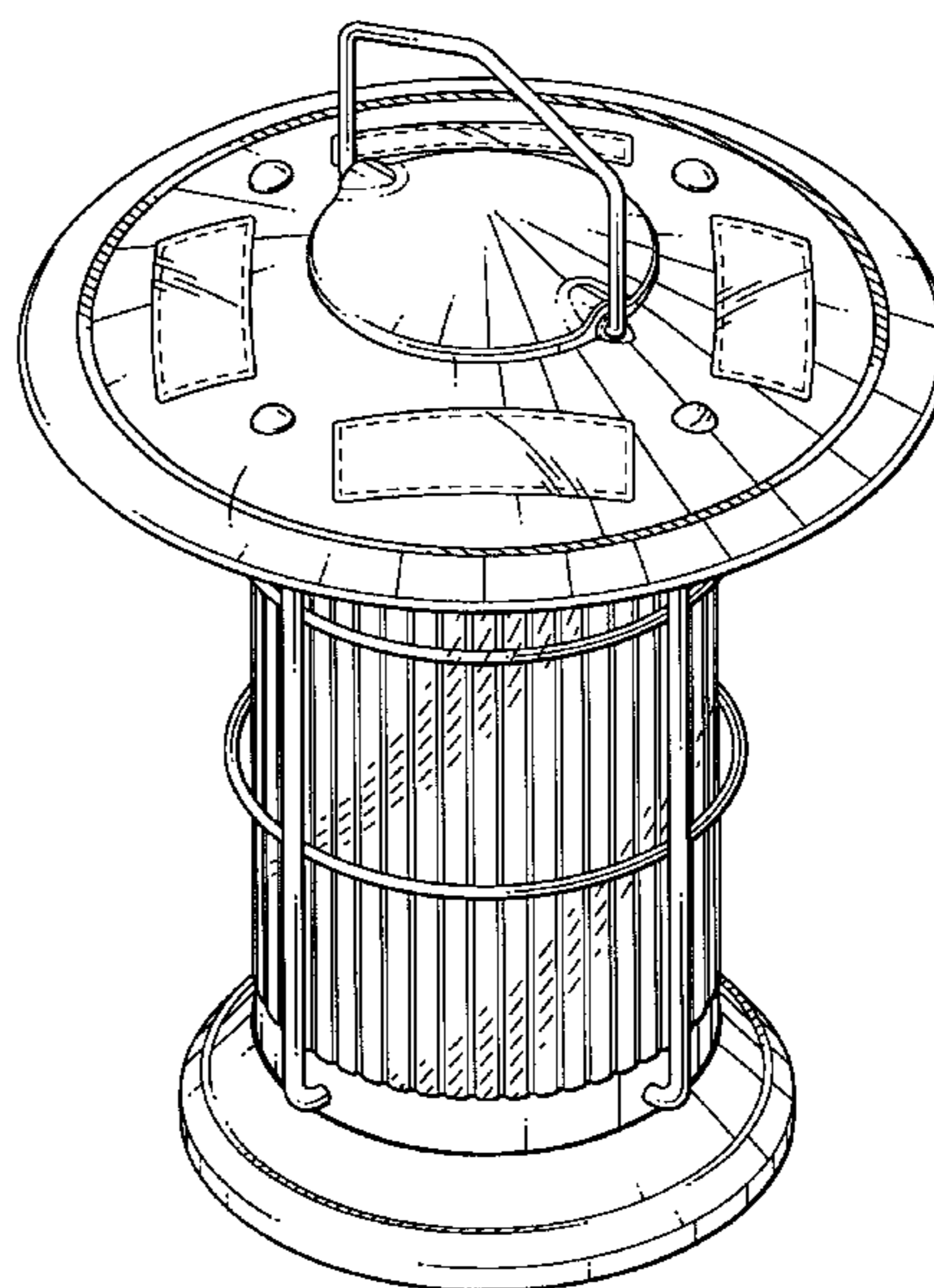
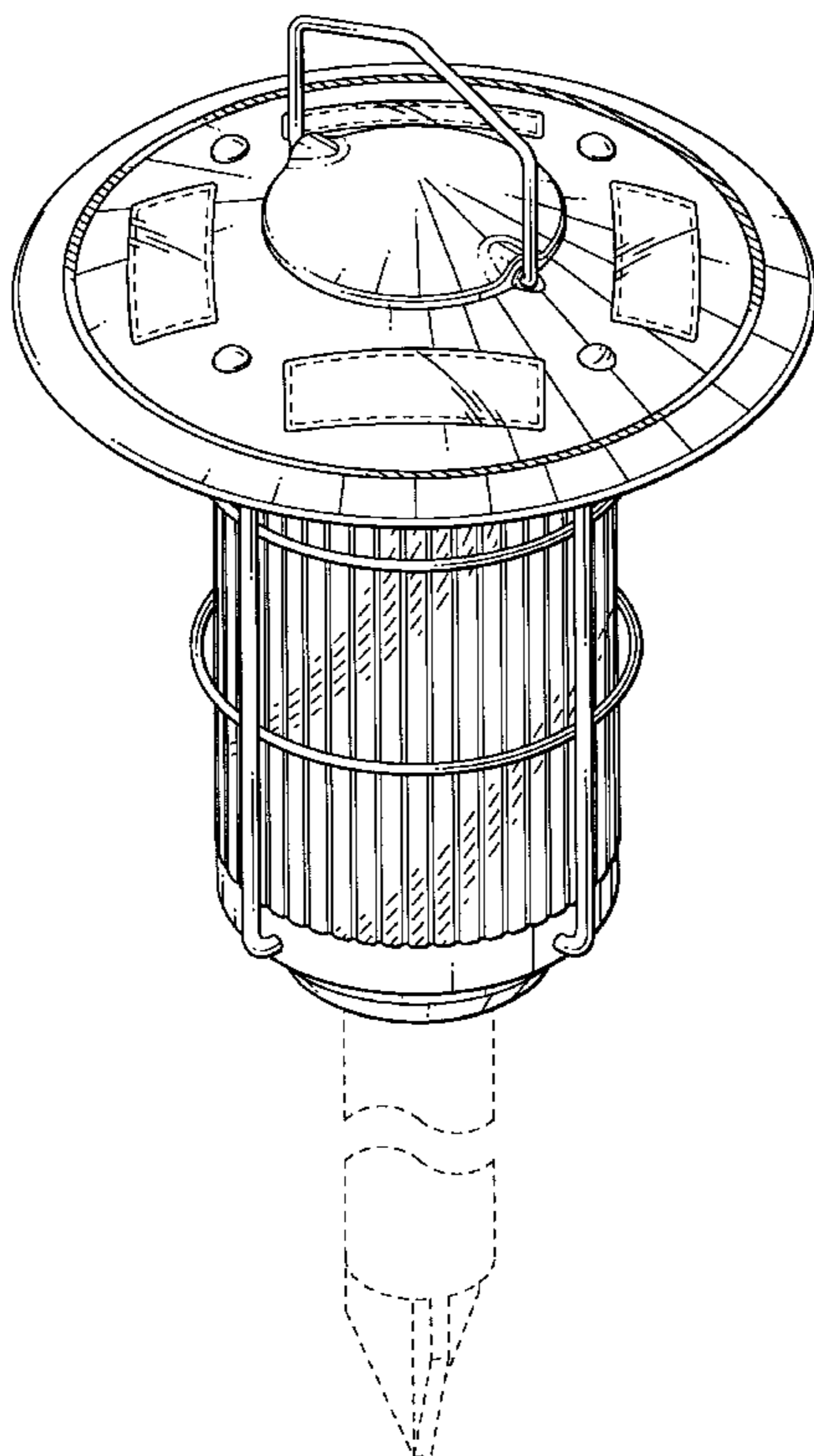
We claim the ornamental design for a solar powered outdoor light, as shown and described.

**DESCRIPTION**

FIG. 1 is a perspective view of a first embodiment of a solar powered outdoor light showing the new design; FIG. 2 is a front elevational view thereof, the rear elevational view being a mirror image thereof; FIG. 3 is a right side elevational view thereof; FIG. 4 is a left side elevational view thereof; FIG. 5 is a top plan view thereof; FIG. 6 is bottom view thereof; FIG. 7 is a perspective view of a second embodiment of a solar powered outdoor light showing the new design; FIG. 8 is a front elevational view thereof, the rear elevational view being a mirror image thereof; FIG. 9 is a right side elevational view thereof; FIG. 10 is a left side elevational view thereof; FIG. 11 is a top plan view thereof; and, FIG. 12 is bottom plan view thereof.

The dotted lines are for illustrative purposes only and form no part of the claimed design.

**1 Claim, 12 Drawing Sheets**



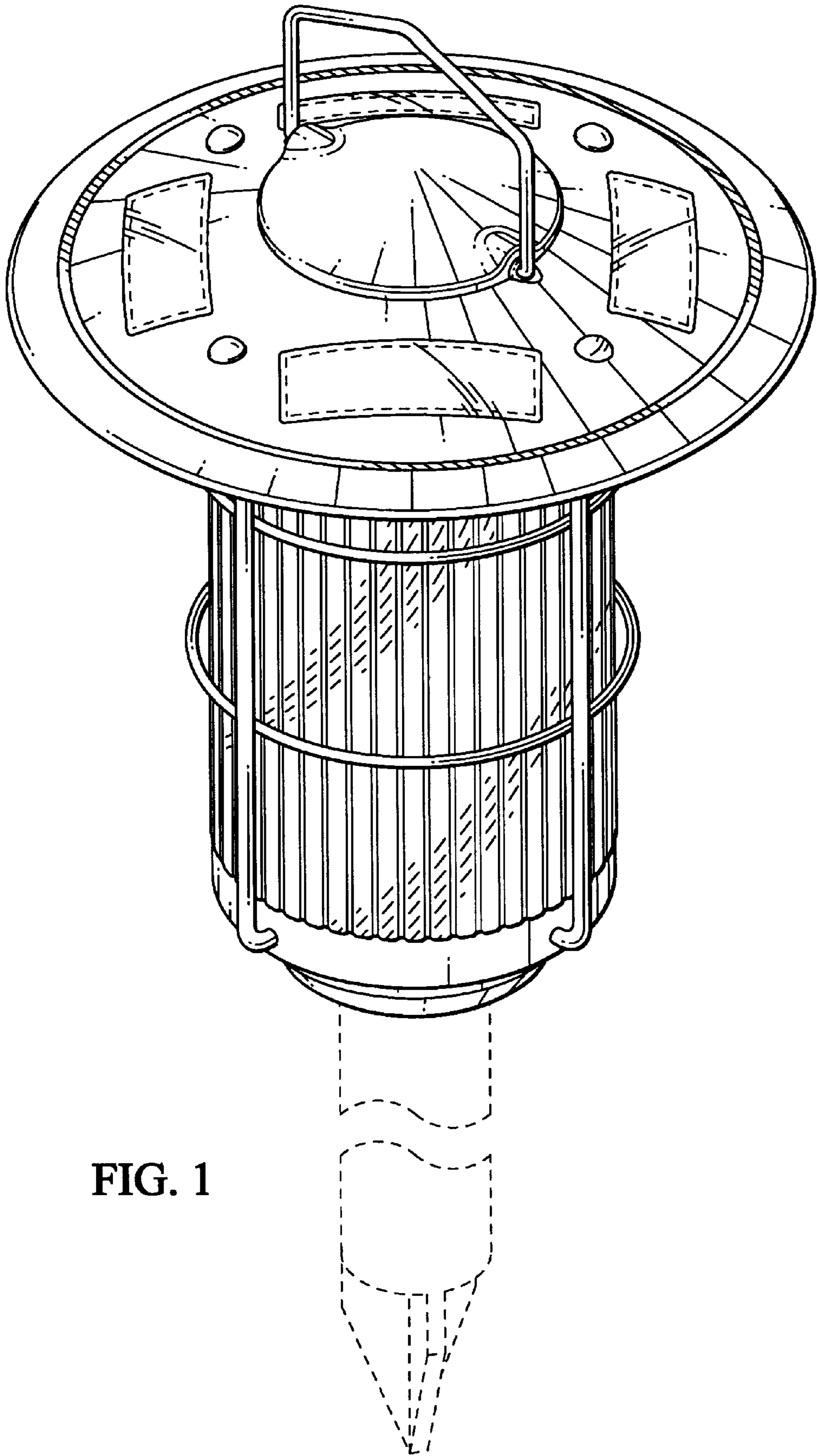


FIG. 1

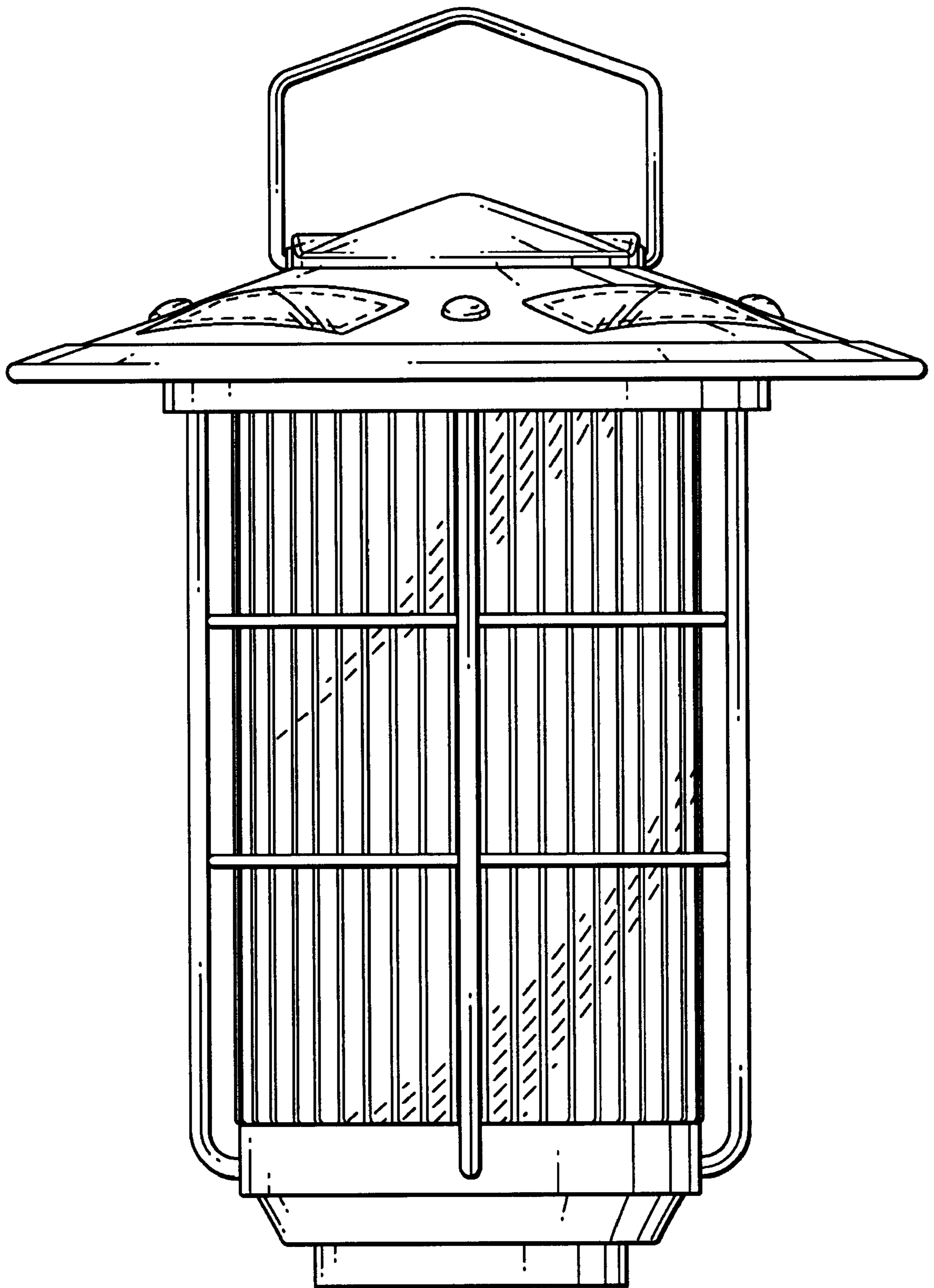


FIG. 2

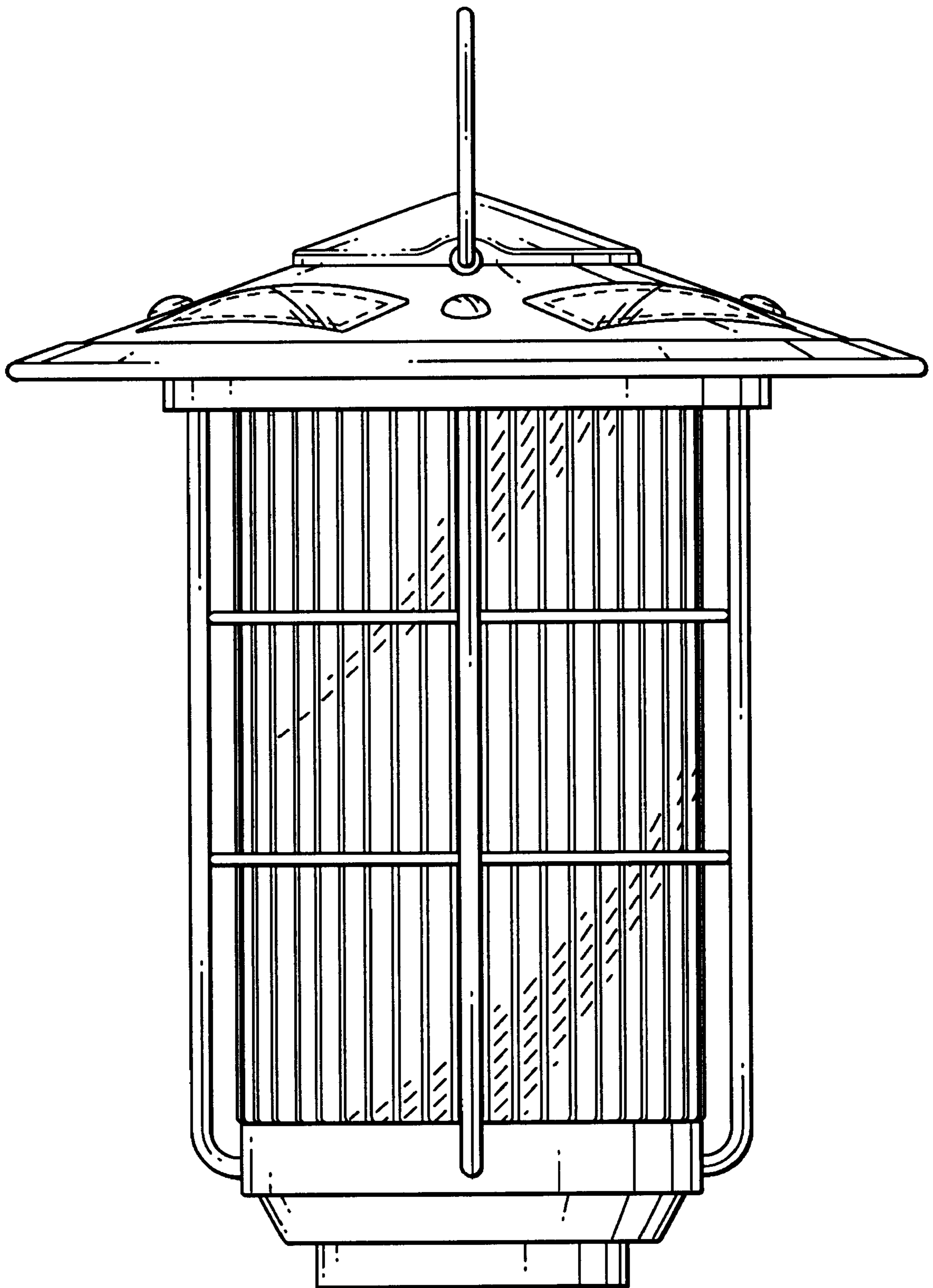


FIG. 3

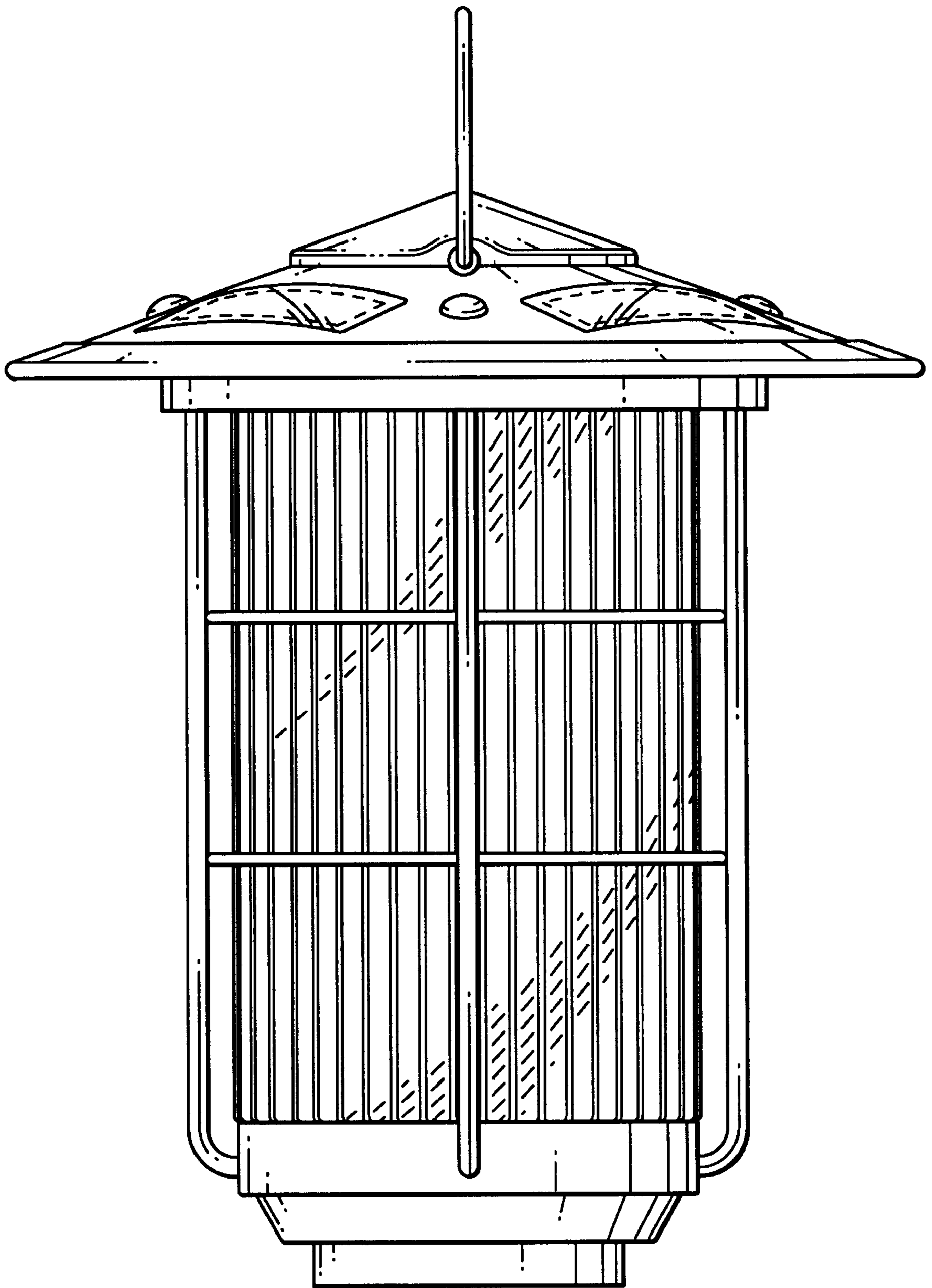


FIG. 4

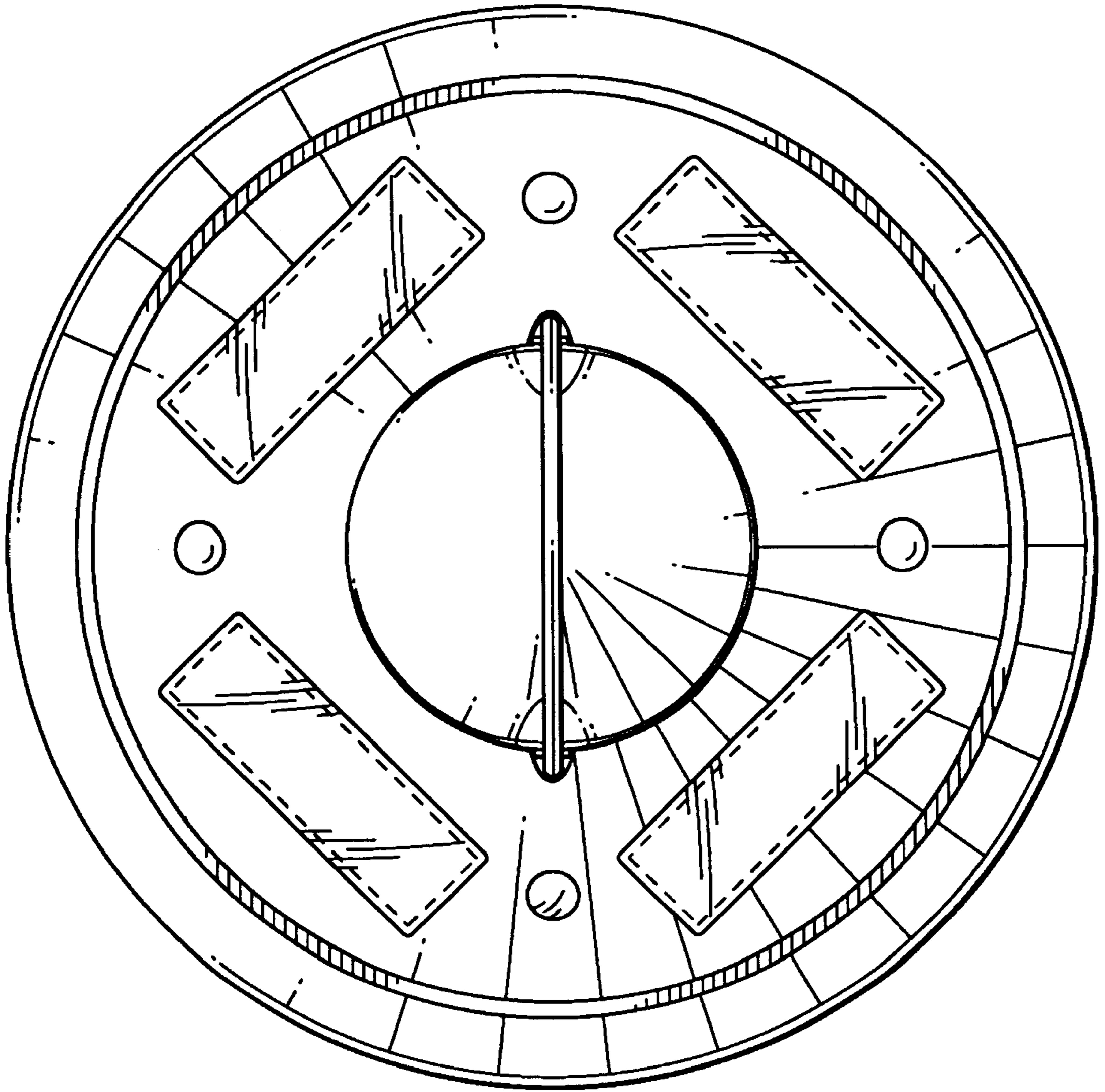


FIG. 5

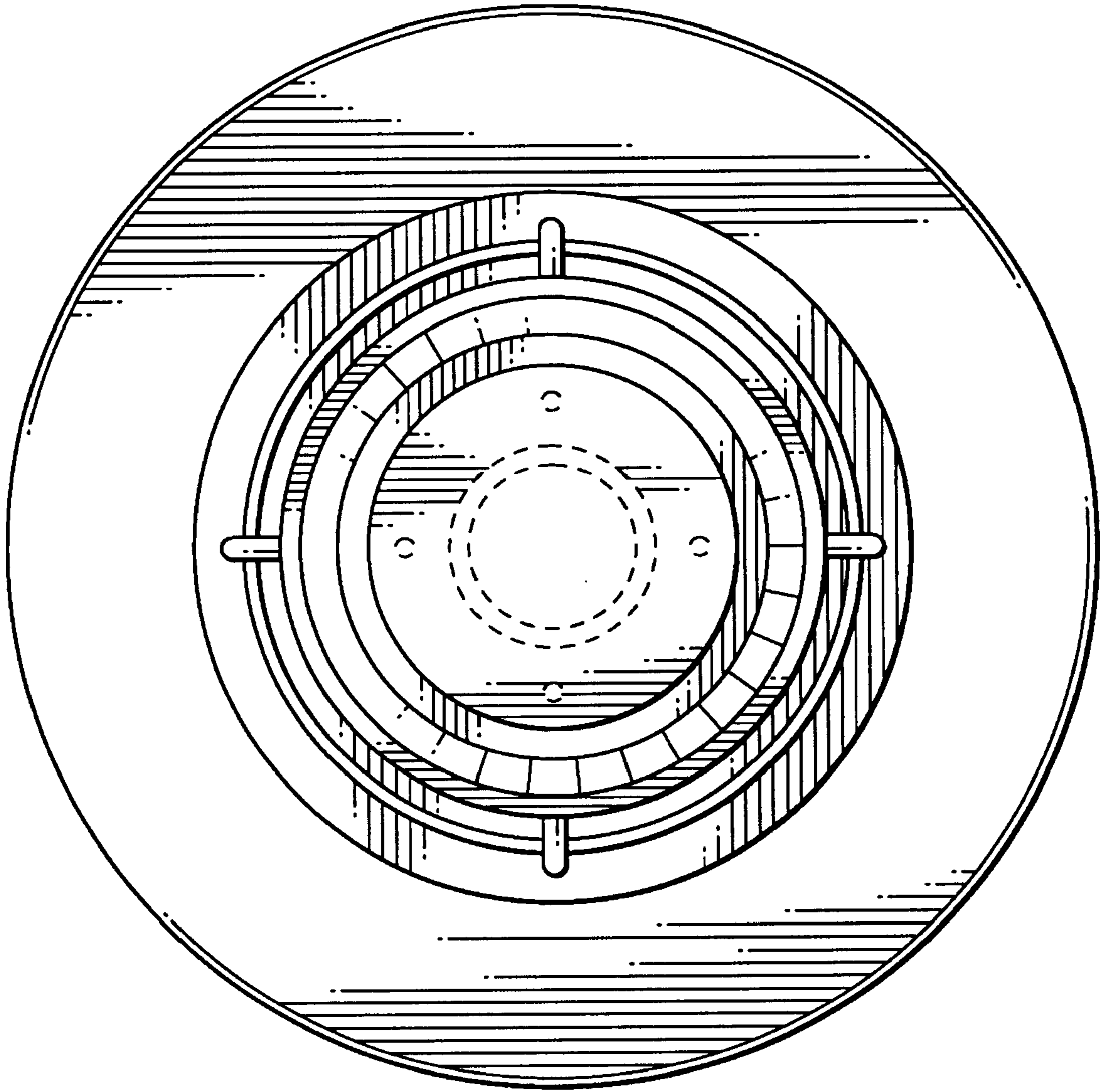


FIG. 6

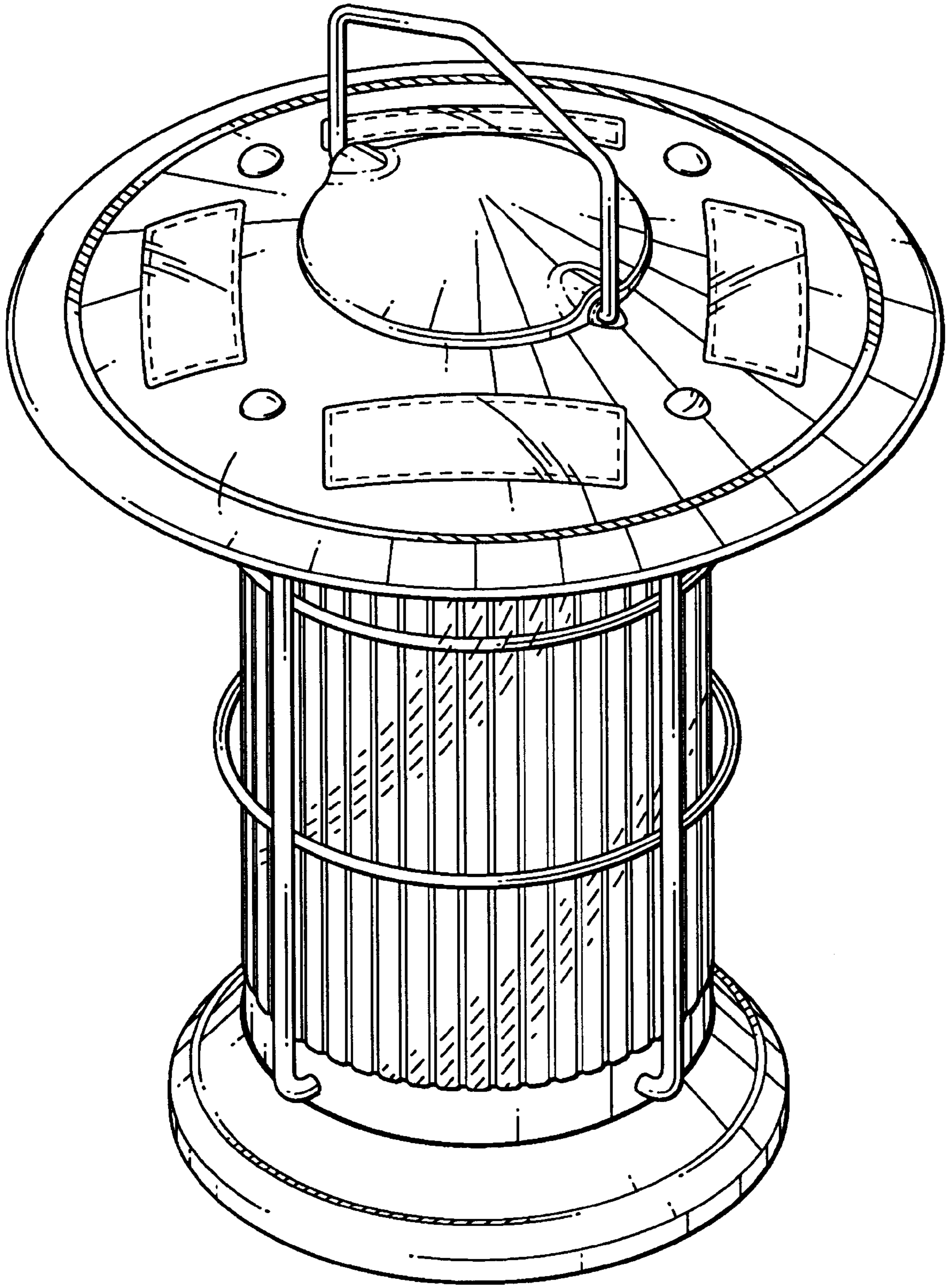


FIG. 7



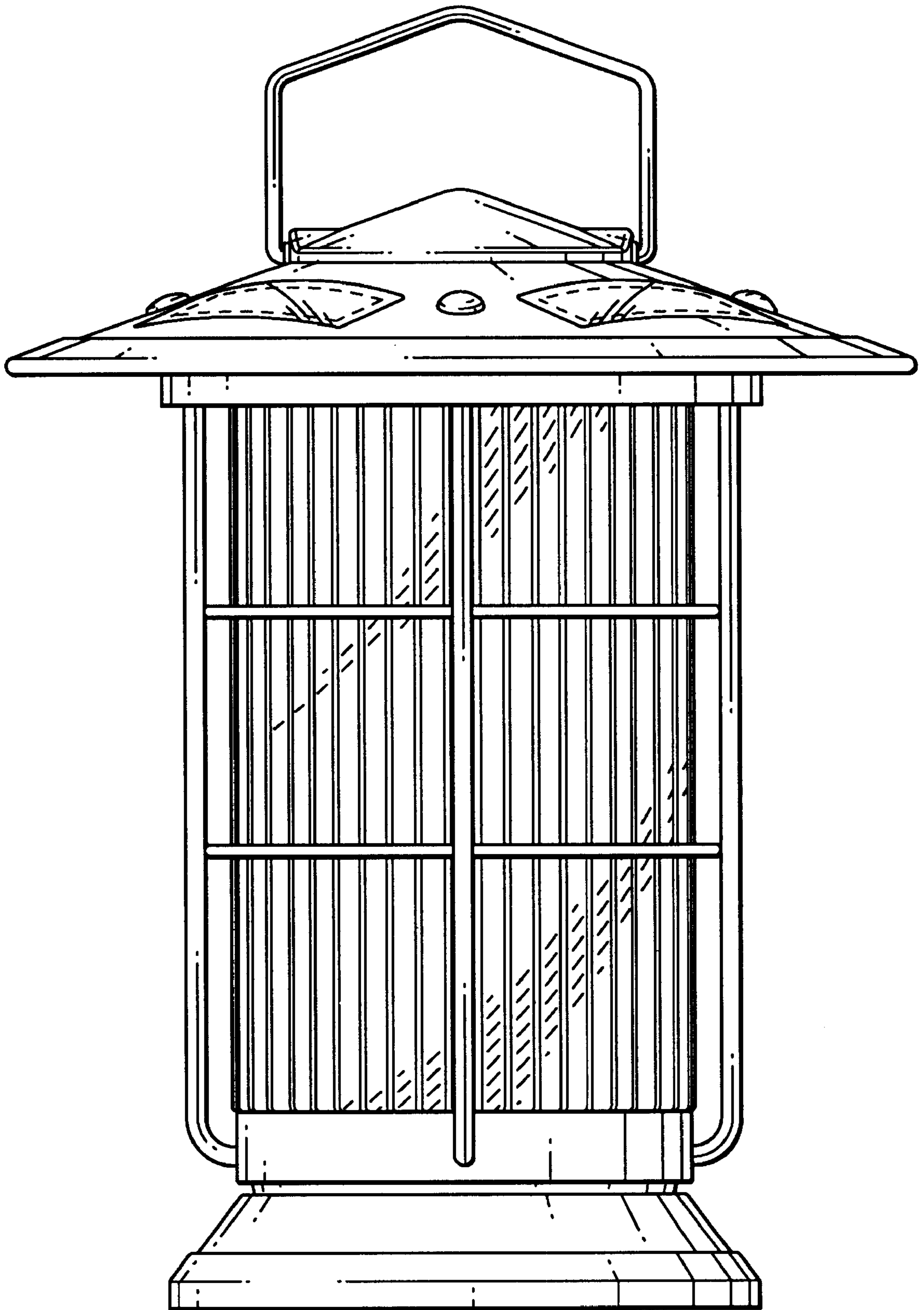


FIG. 8

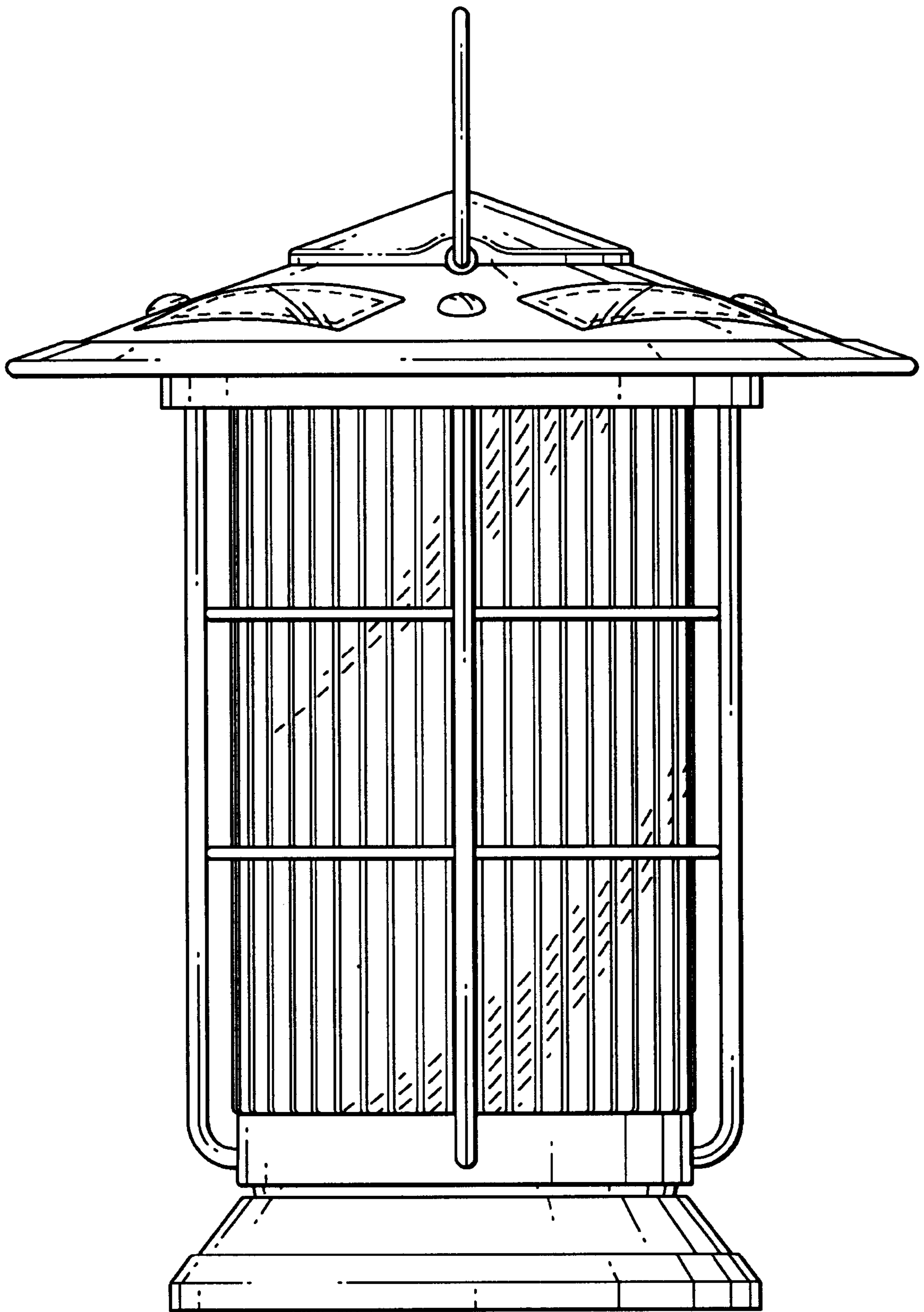


FIG. 9

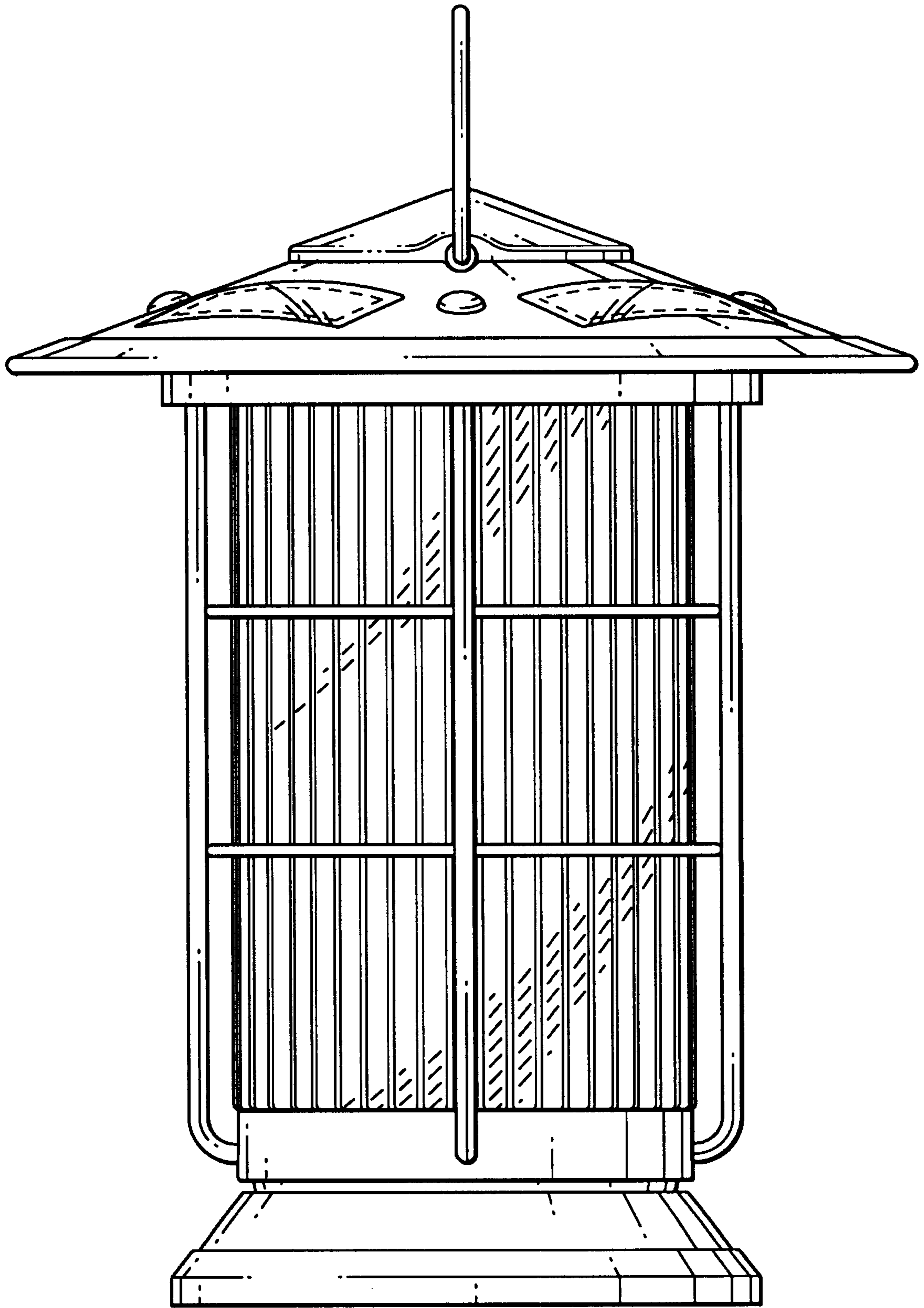


FIG. 10

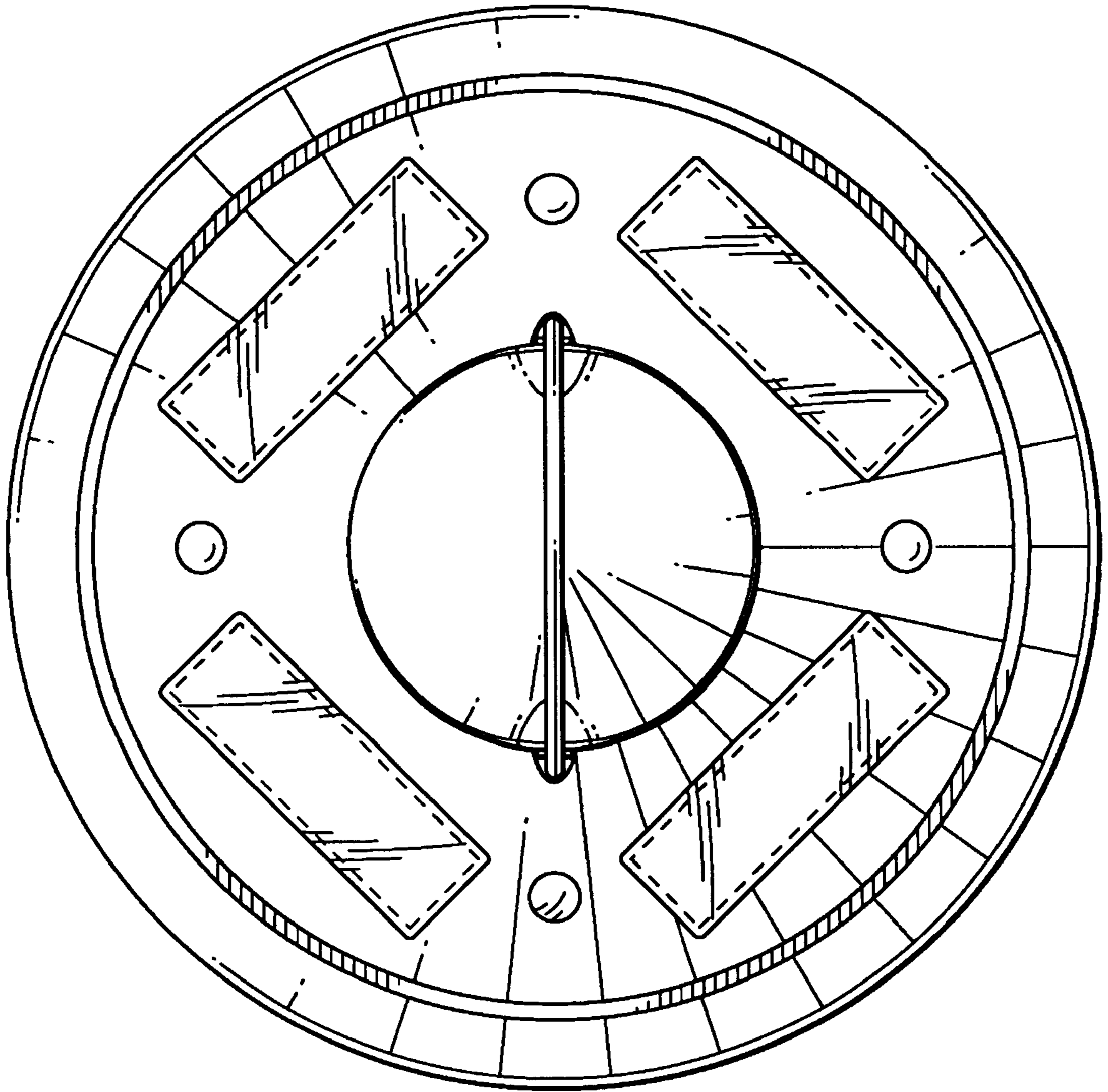


FIG. 11

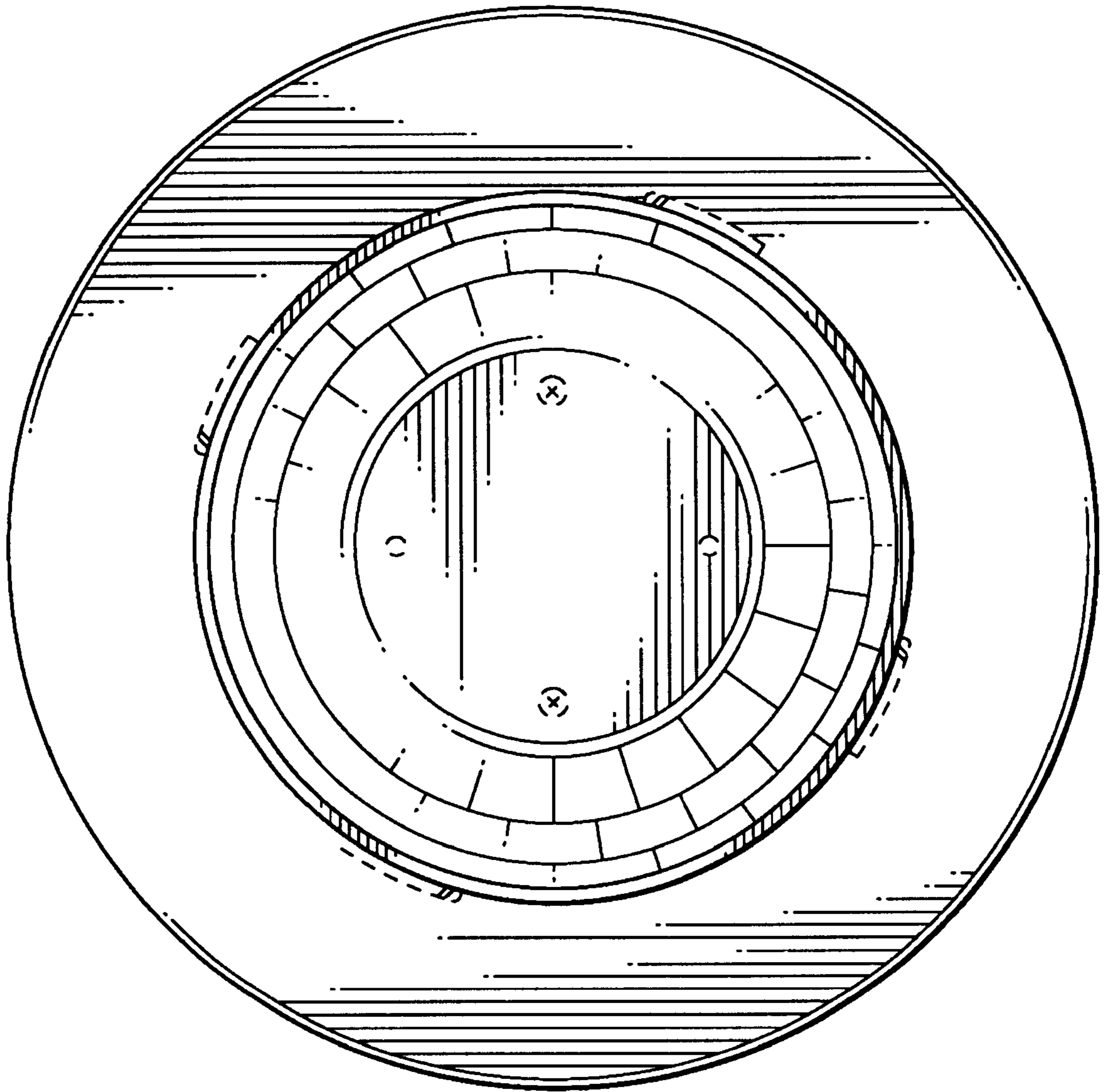


FIG. 12