



US00D485384S

(12) **United States Design Patent**  
**Poon**

(10) **Patent No.:** **US D485,384 S**

(45) **Date of Patent:** **\*\* Jan. 13, 2004**

(54) **HEADLIGHT**

D465,043 S \* 10/2002 Halasz ..... D26/39

(75) **Inventor:** **Tit Wing Poon, Shatin (CN)**

\* cited by examiner

(73) **Assignee:** **Flying Dragon Development Ltd.,  
Hong Kong (CN)**

*Primary Examiner*—Marcus A. Jackson

(74) *Attorney, Agent, or Firm*—Alix, Yale & Ristas, LLP

(\*\*) **Term:** **14 Years**

(57) **CLAIM**

(21) **Appl. No.:** **29/177,953**

The ornamental design for a headlight, as shown and described.

(22) **Filed:** **Mar. 18, 2003**

**DESCRIPTION**

(51) **LOC (7) Cl.** ..... **26-02**

FIG. 1 is a front perspective view of the headlight showing my new design;

(52) **U.S. Cl.** ..... **D26/39**

FIG. 2 is a front view of the headlight of FIG. 1;

(58) **Field of Search** ..... D26/37-50; 362/157,  
362/158, 171, 172, 173, 183-208

FIG. 3 is a rear view of the headlight of FIG. 1;

FIG. 4 is a right side view of the headlight of FIG. 1;

FIG. 5 is a left side view of the headlight of FIG. 1;

FIG. 6 is a top plan view of the headlight of FIG. 1; and,

FIG. 7 is a bottom plan view of the headlight of FIG. 1.

(56) **References Cited**

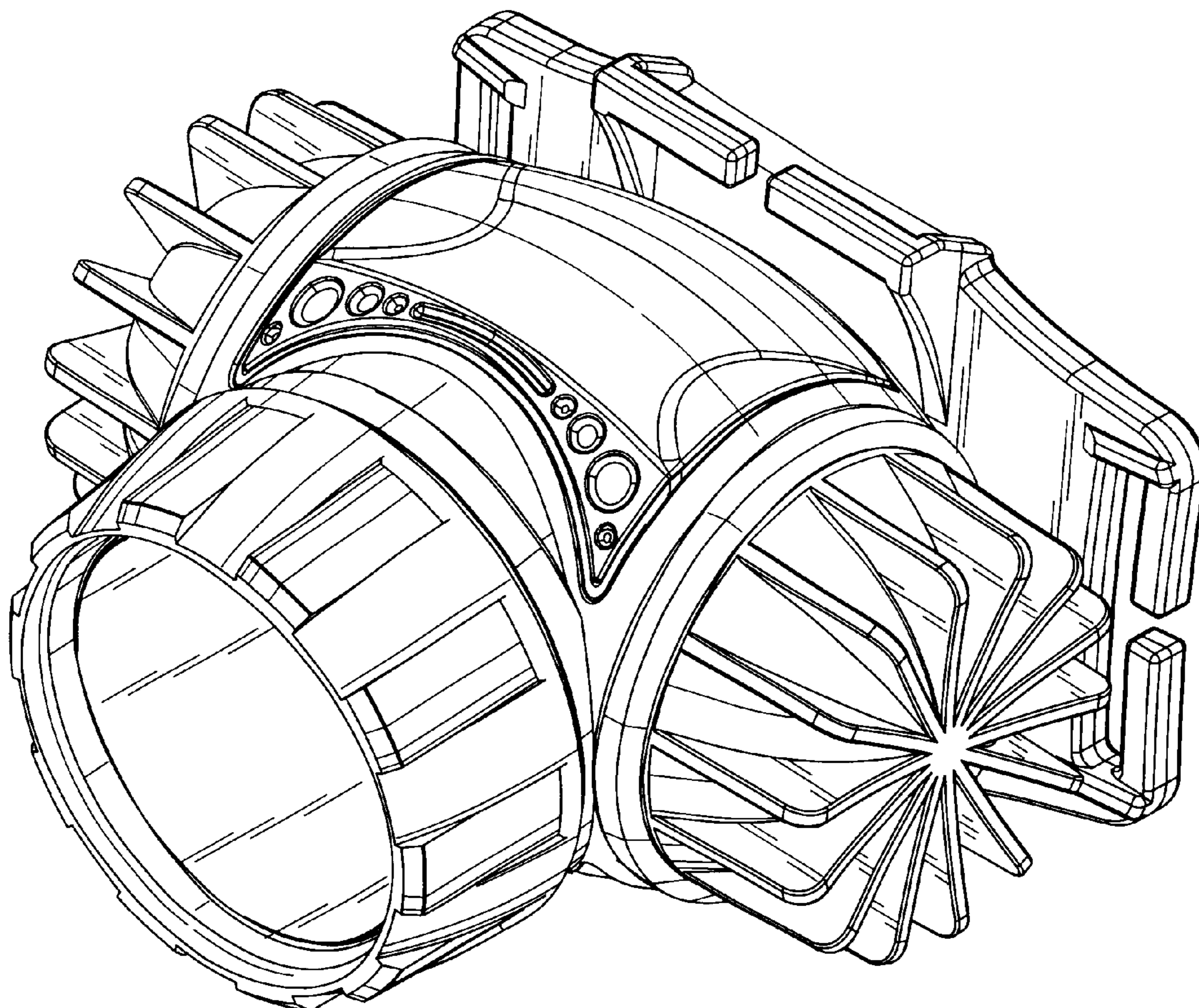
**U.S. PATENT DOCUMENTS**

D405,202 S \* 2/1999 Fattori et al. .... D26/39

D445,931 S \* 7/2001 Shiu ..... D26/39

D447,587 S \* 9/2001 Poon ..... D26/39

**1 Claim, 5 Drawing Sheets**



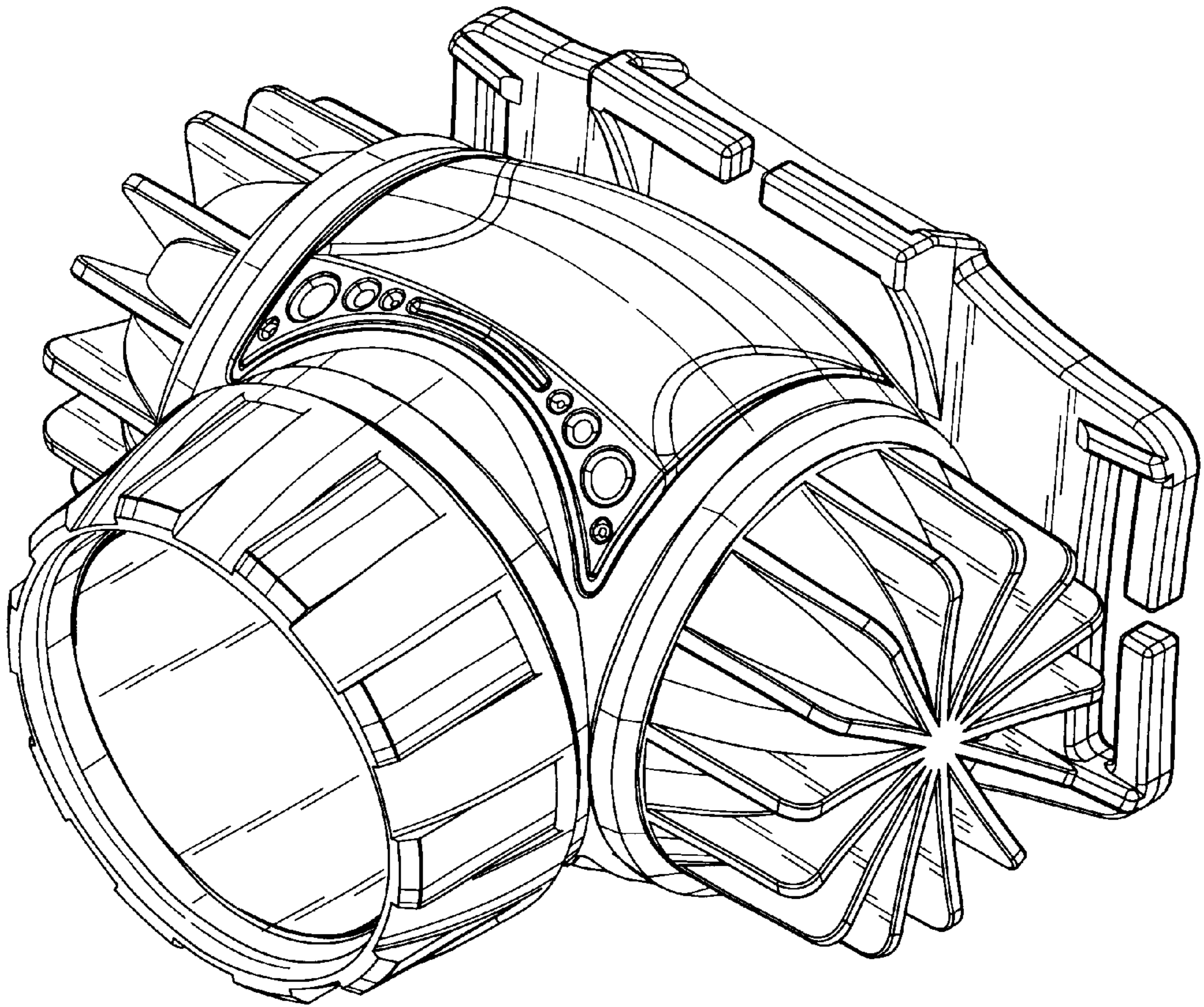


FIG. 1

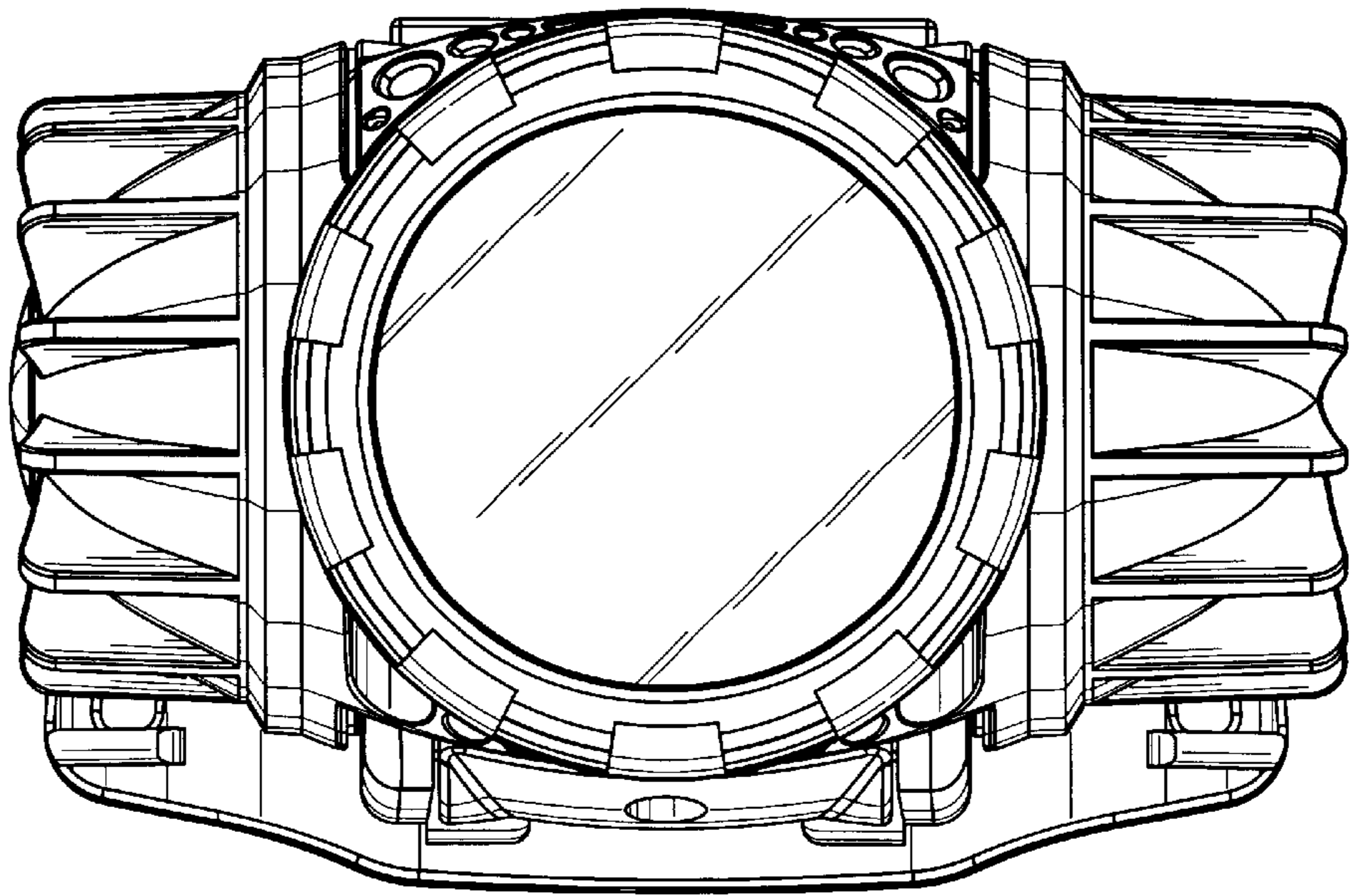


FIG. 2

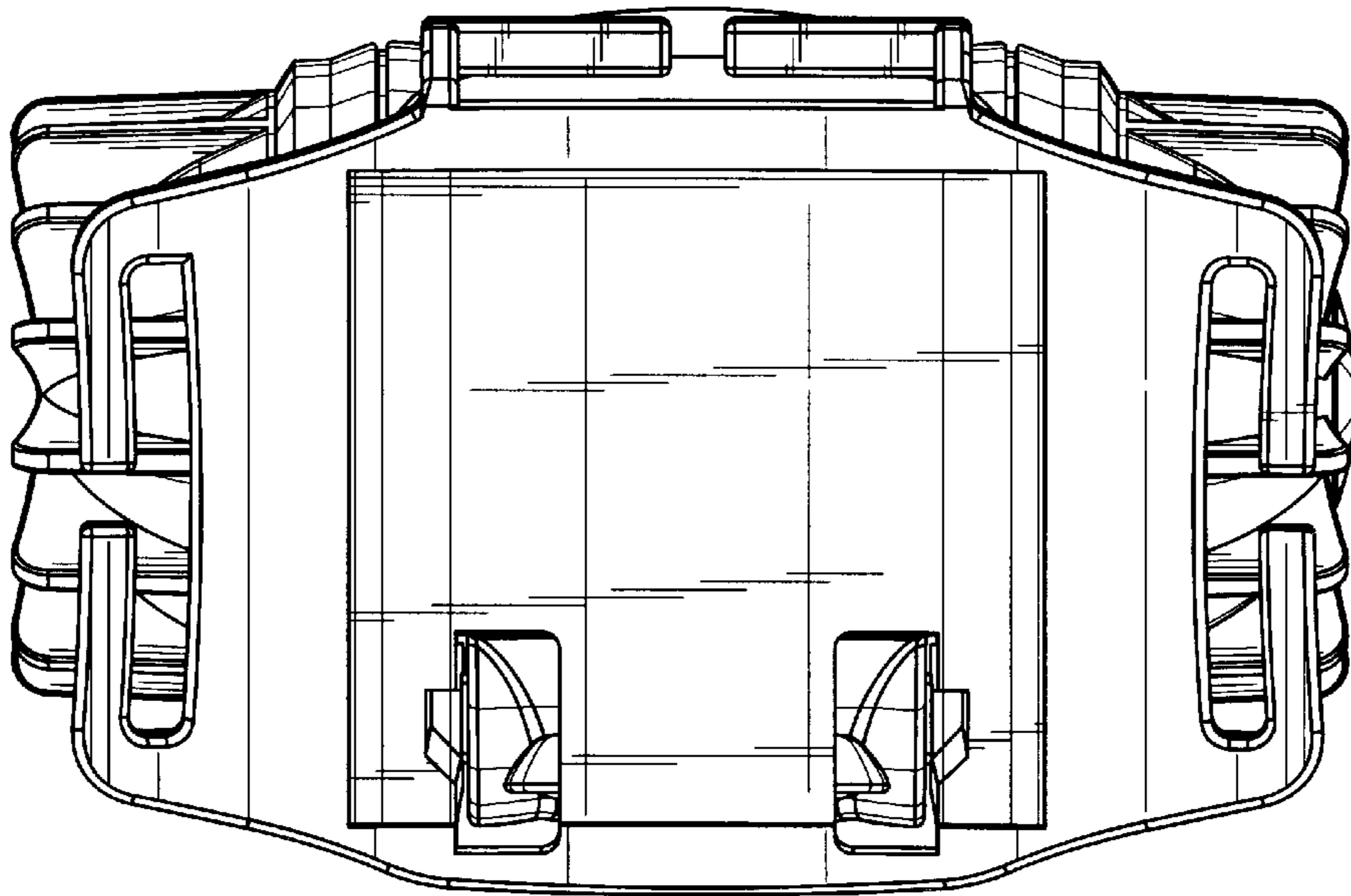


FIG. 3

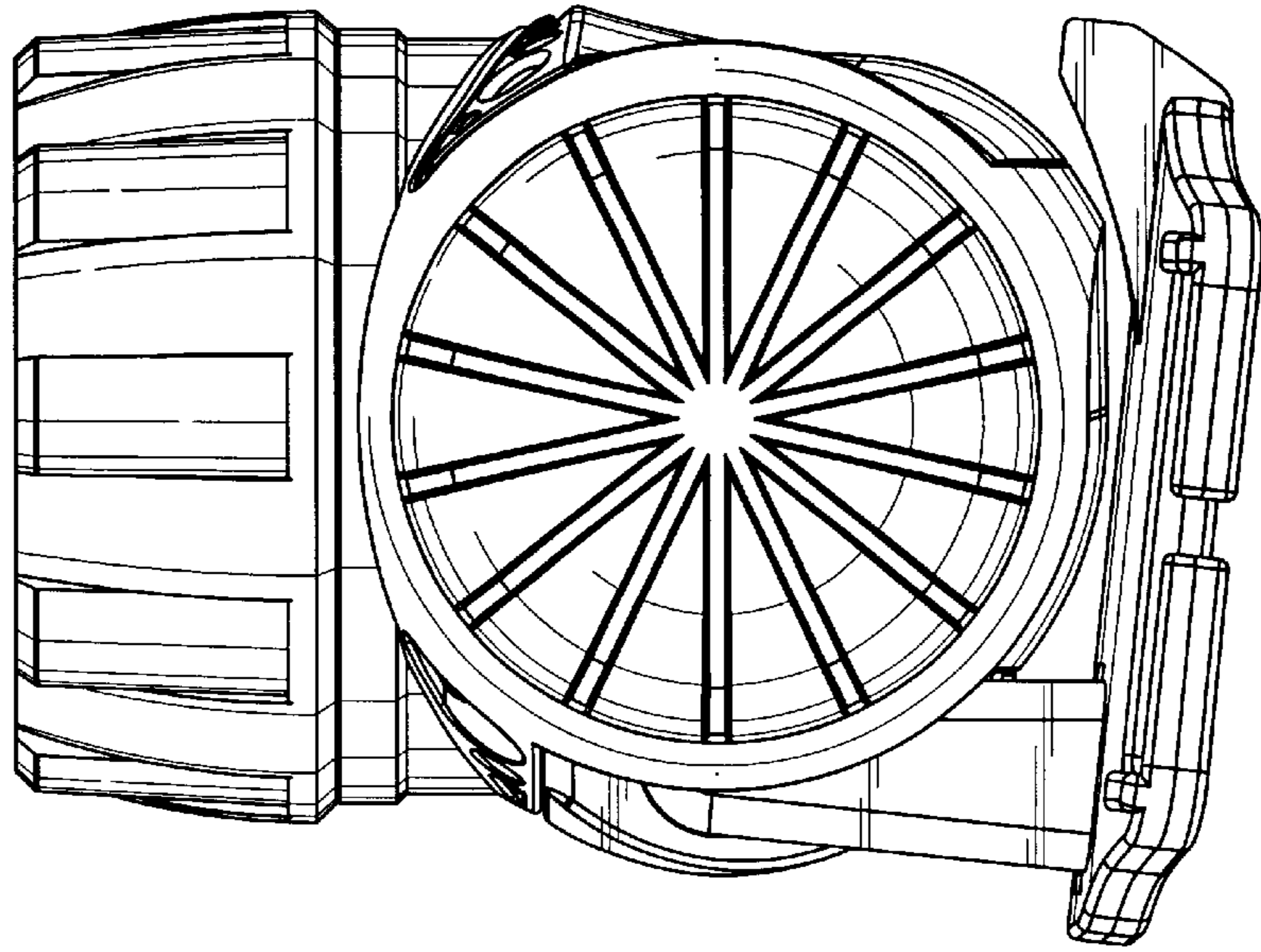


FIG. 4

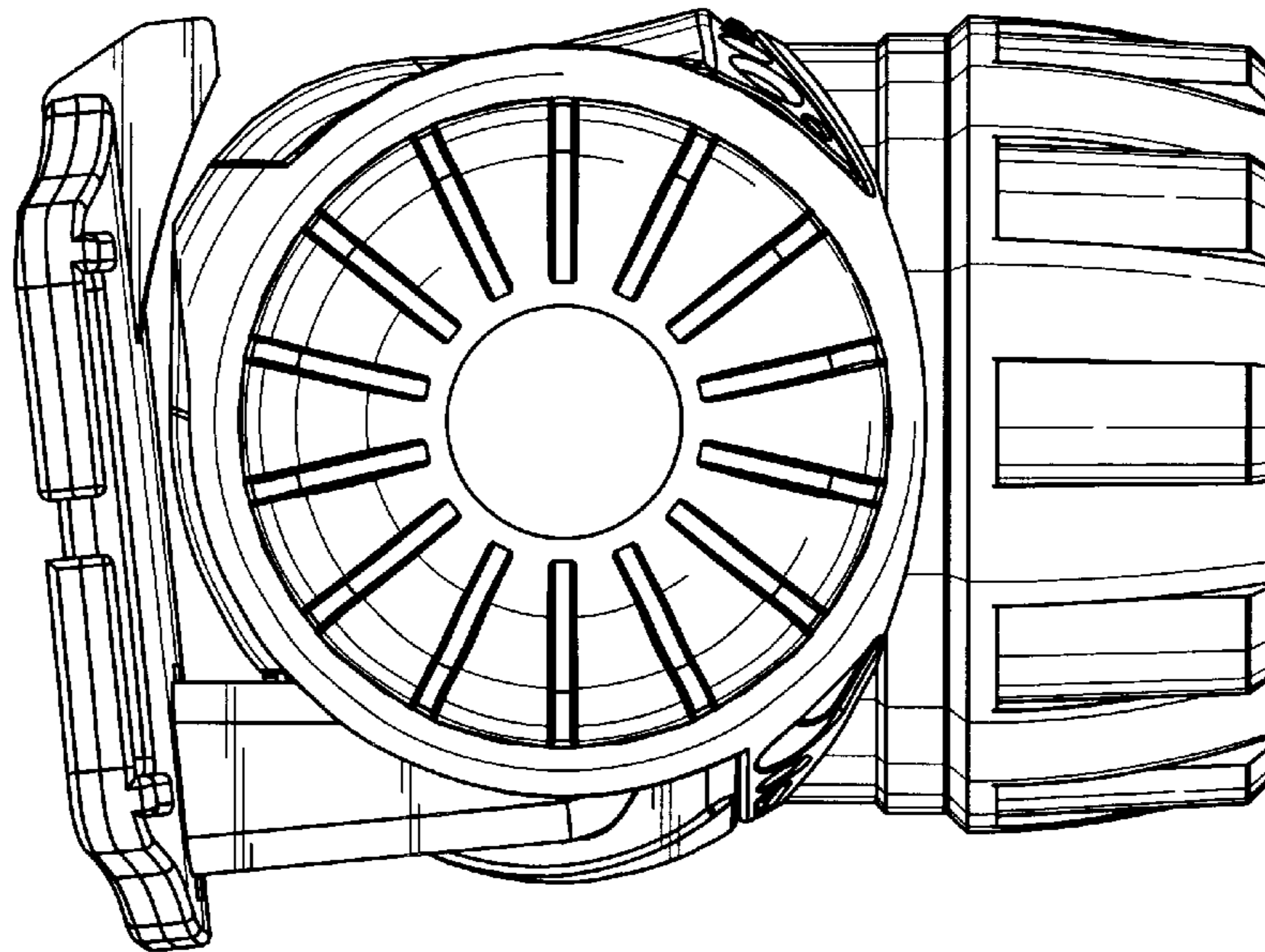


FIG. 5

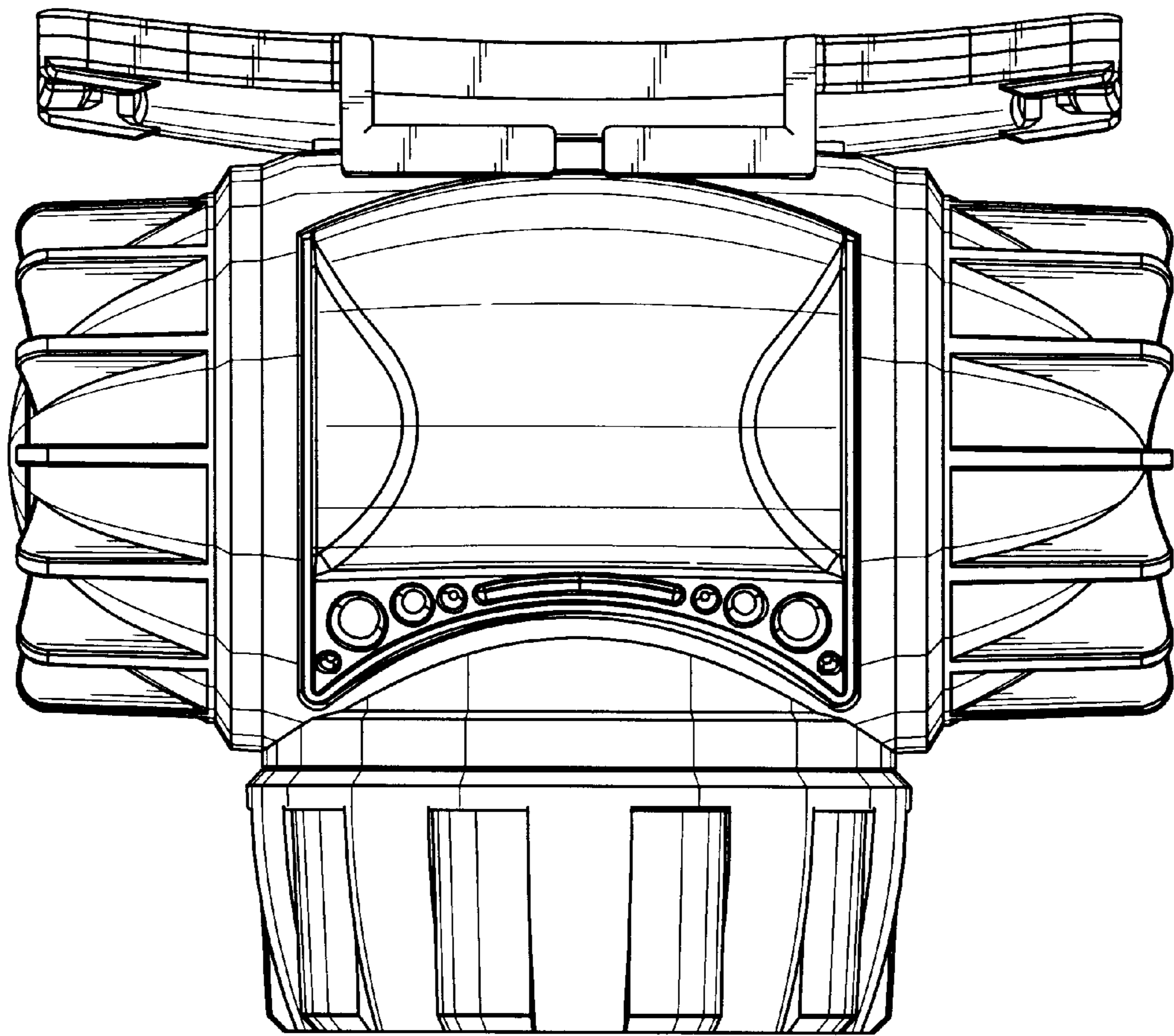


FIG. 6

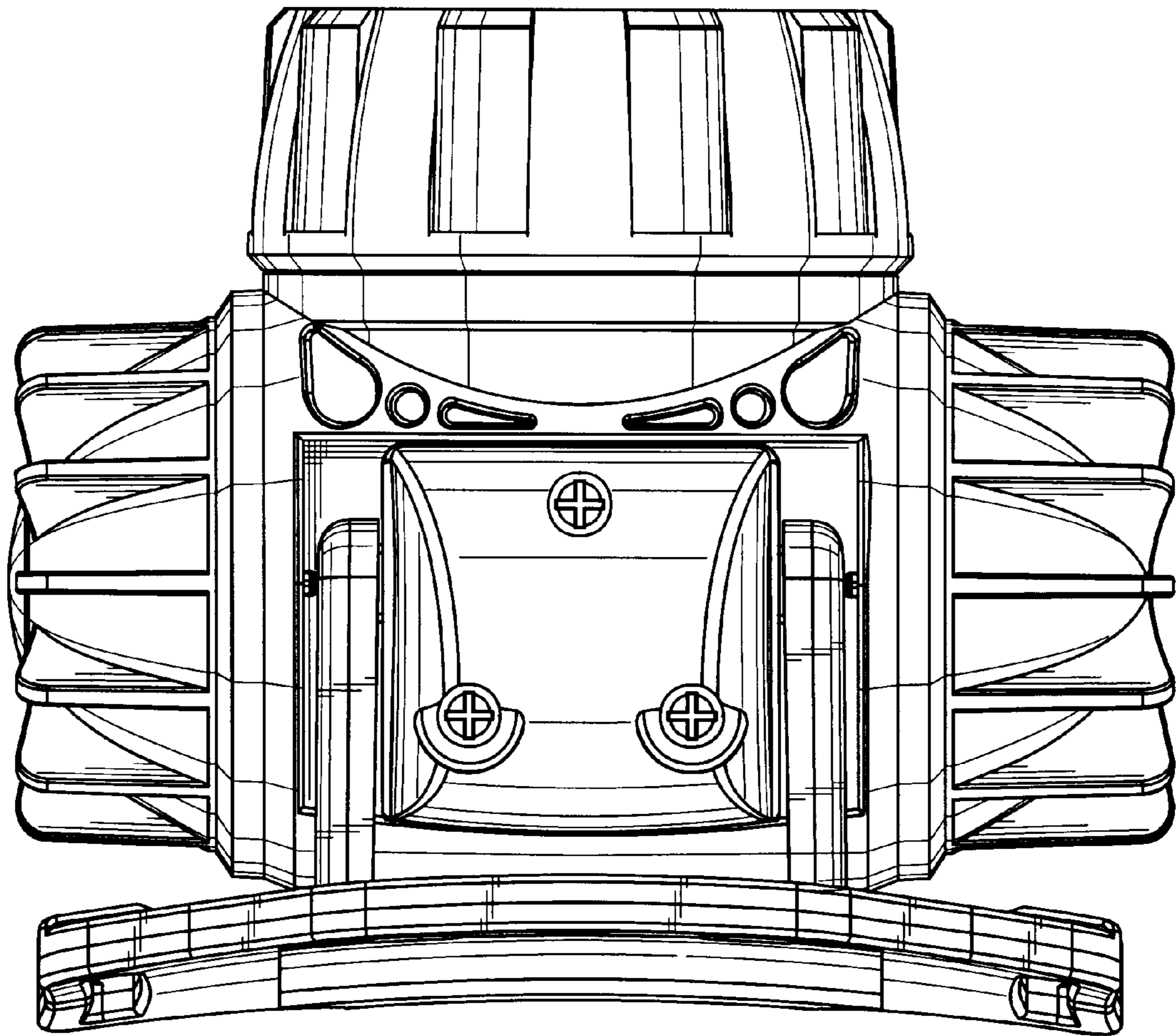


FIG. 7

UNITED STATES PATENT AND TRADEMARK OFFICE  
**CERTIFICATE OF CORRECTION**

PATENT NO. : Des. 485,384 S  
APPLICATION NO. : 29/177953  
DATED : January 13, 2004  
INVENTOR(S) : Poon

Page 1 of 1

It is certified that error appears in the above-identified patent and that said Letters Patent is hereby corrected as shown below:

On page 1, after section (22), insert:

--(30) **Foreign Application Priority Data**  
Sep. 30, 2002 (CN) .....0211529.7--.

Signed and Sealed this

Twenty-third Day of October, 2007

A handwritten signature in black ink on a light gray dotted background. The signature reads "Jon W. Dudas" in a cursive style.

JON W. DUDAS

*Director of the United States Patent and Trademark Office*