



US00D485382S

(12) **United States Design Patent**
Palm

(10) **Patent No.:** **US D485,382 S**

(45) **Date of Patent:** **** Jan. 13, 2004**

(54) **LIGHT FOR A POWER TOOL**

FOREIGN PATENT DOCUMENTS

(75) Inventor: **Bernhard Palm**, Brookfield, WI (US)

DE 8521614 2/1986

* cited by examiner

(73) Assignee: **Milwaukee Electric Tool Corporation**,
Brookfield, WI (US)

Primary Examiner—Marcus A. Jackson

(74) *Attorney, Agent, or Firm*—Michael Best & Friedrich
LLP

(**) Term: **14 Years**

(57) **CLAIM**

(21) Appl. No.: **29/164,793**

I claim the ornamental design for a light for a power tool, as described and shown.

(22) Filed: **Jul. 31, 2002**

(51) **LOC (7) Cl.** **26-02**

DESCRIPTION

(52) **U.S. Cl.** **D26/38**

FIG. 1 is a right side view of a light for a power tool embodying the present invention.

(58) **Field of Search** D26/37-50, 138;
362/157, 158, 171, 172, 173, 187-208

FIG. 2 is a left side view of the light shown in FIG. 1 illustrating alternative configurations of the light in dot-dashed lines.

(56) **References Cited**

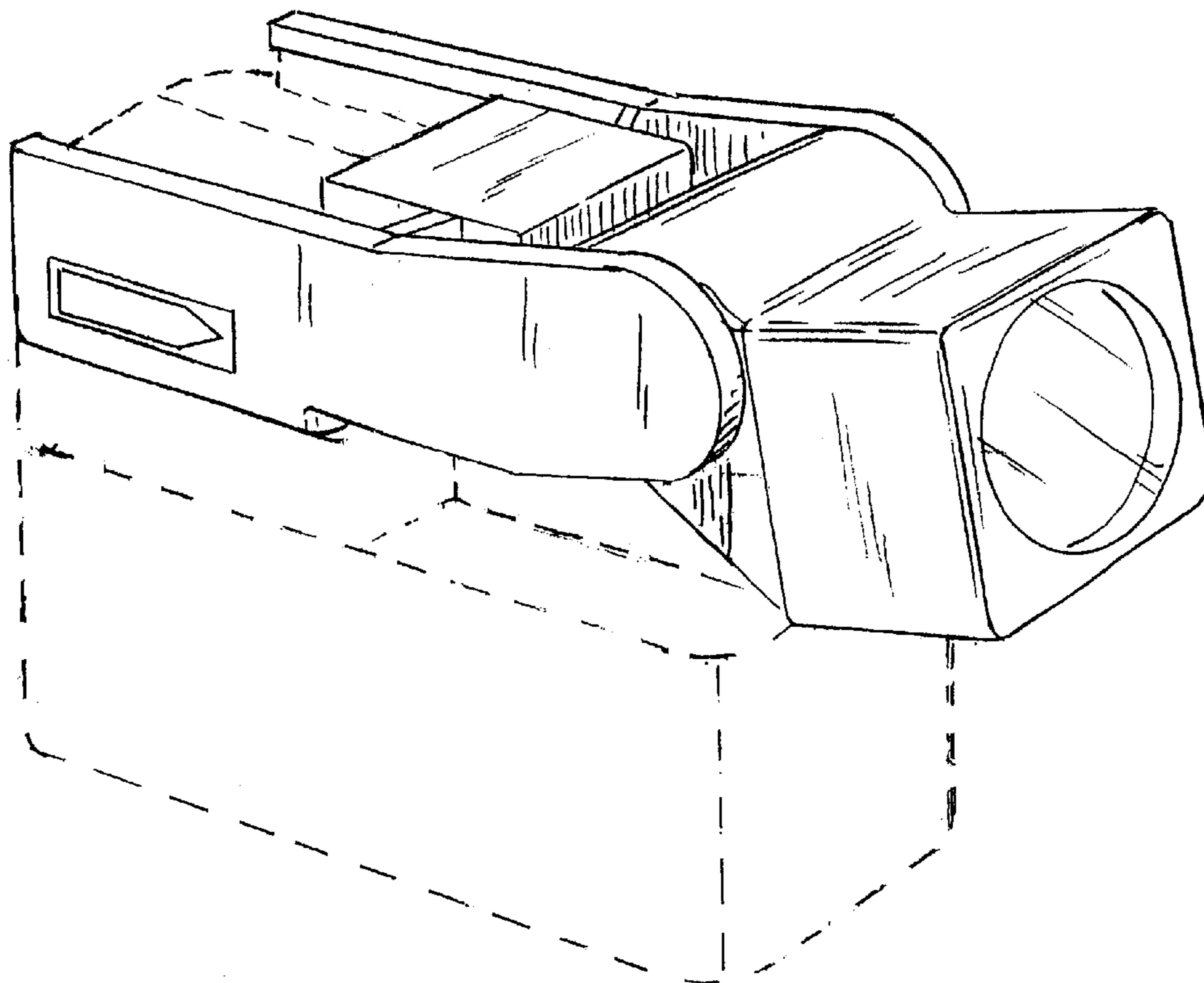
U.S. PATENT DOCUMENTS

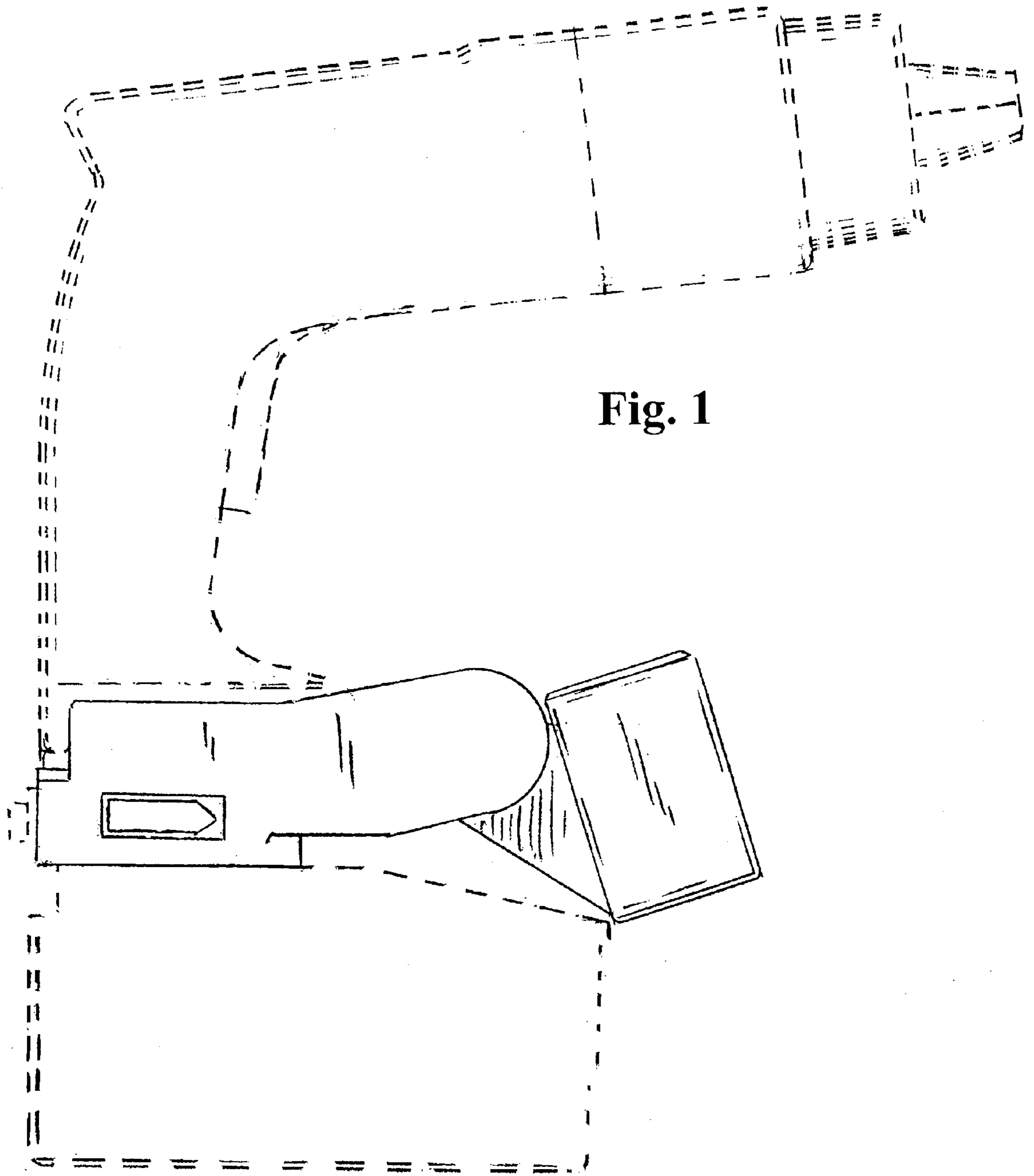
2,517,882 A	8/1950	Johnson	
2,525,588 A	10/1950	Cameron et al.	
2,822,615 A	2/1958	Durst et al.	
4,160,857 A	7/1979	Nardella et al.	
4,833,782 A	5/1989	Smith	
5,169,225 A	12/1992	Palm	
D398,410 S	* 9/1998	Fell et al.	D26/38
D454,040 S	3/2002	Wadsworth	
6,364,580 B1	4/2002	Dils et al.	
6,502,949 B1	1/2003	Horiyama et al.	
2002/0054491 A1	5/2002	Casas	

FIG. 3 is a perspective view of the light shown in FIG. 1. FIG. 4 is a perspective view of the light shown in FIG. 1; and,

FIG. 5 is a perspective view of the light shown in FIG. 1. The present application is directed to the shape and contour of the design illustrated in the drawings. The broken line showing of the environment is for illustrative purposes only and forms no part of the claimed design. The broken lines which define the boundaries of the claimed design form no part thereof.

1 Claim, 4 Drawing Sheets





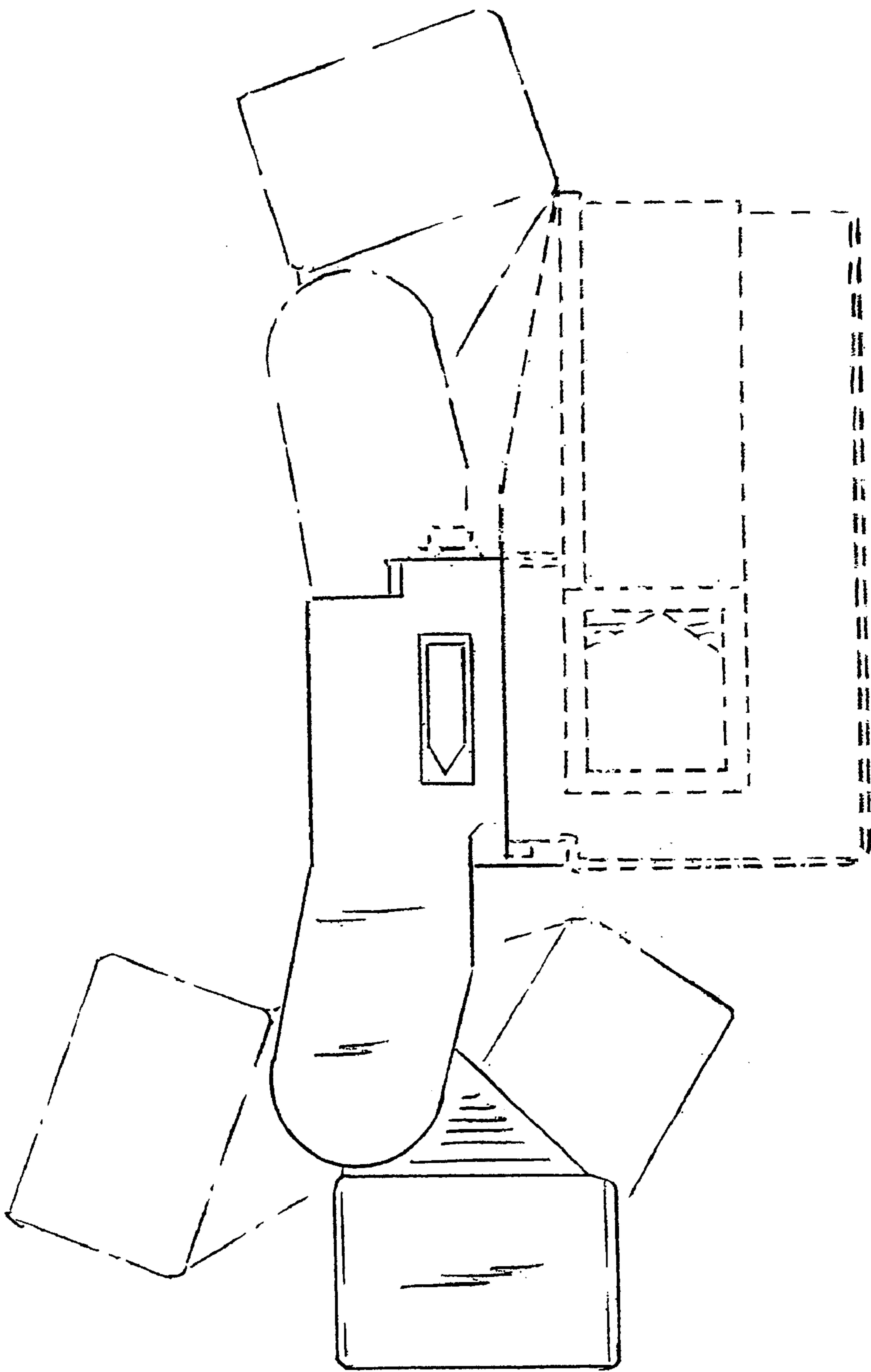


Fig. 2

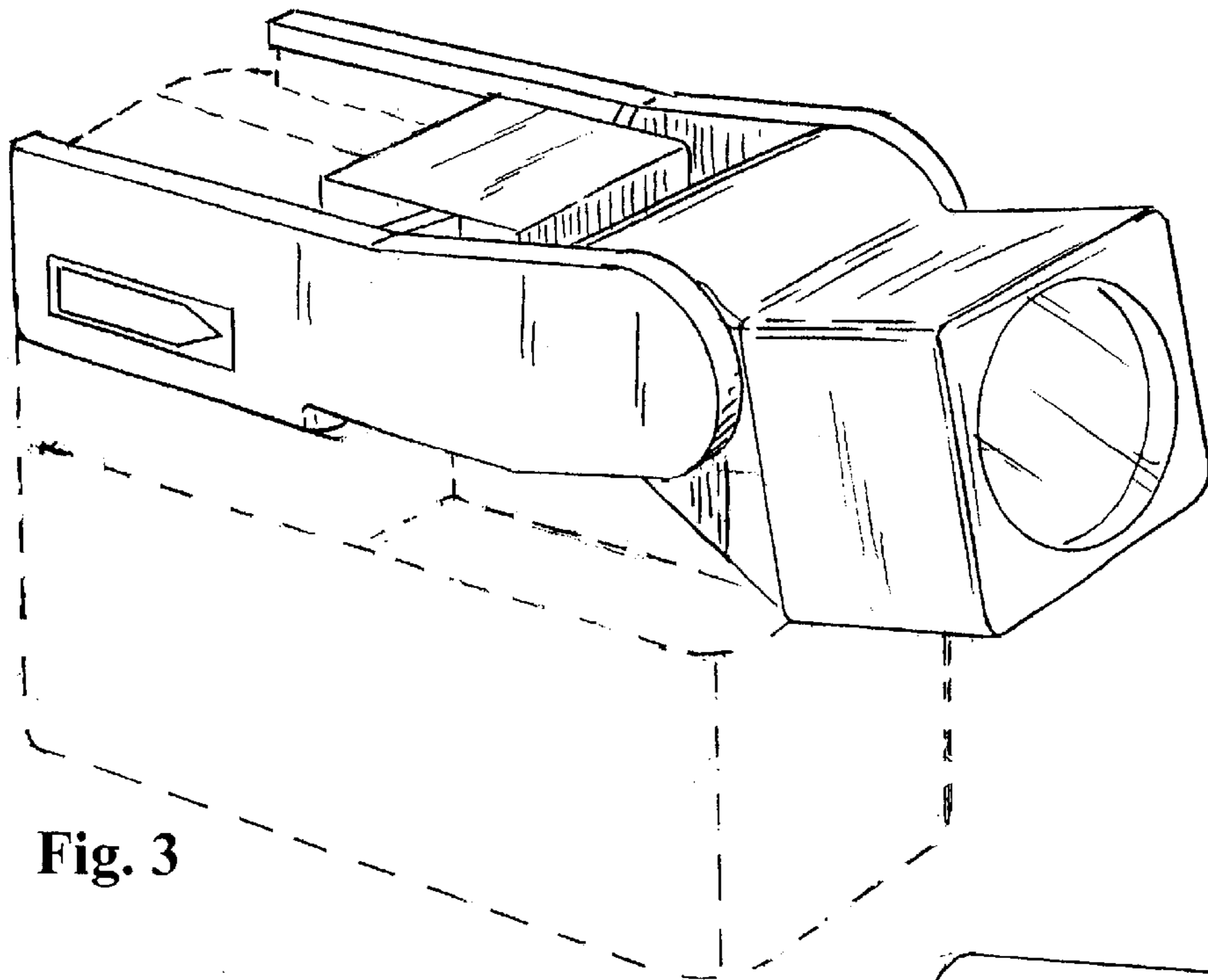


Fig. 3

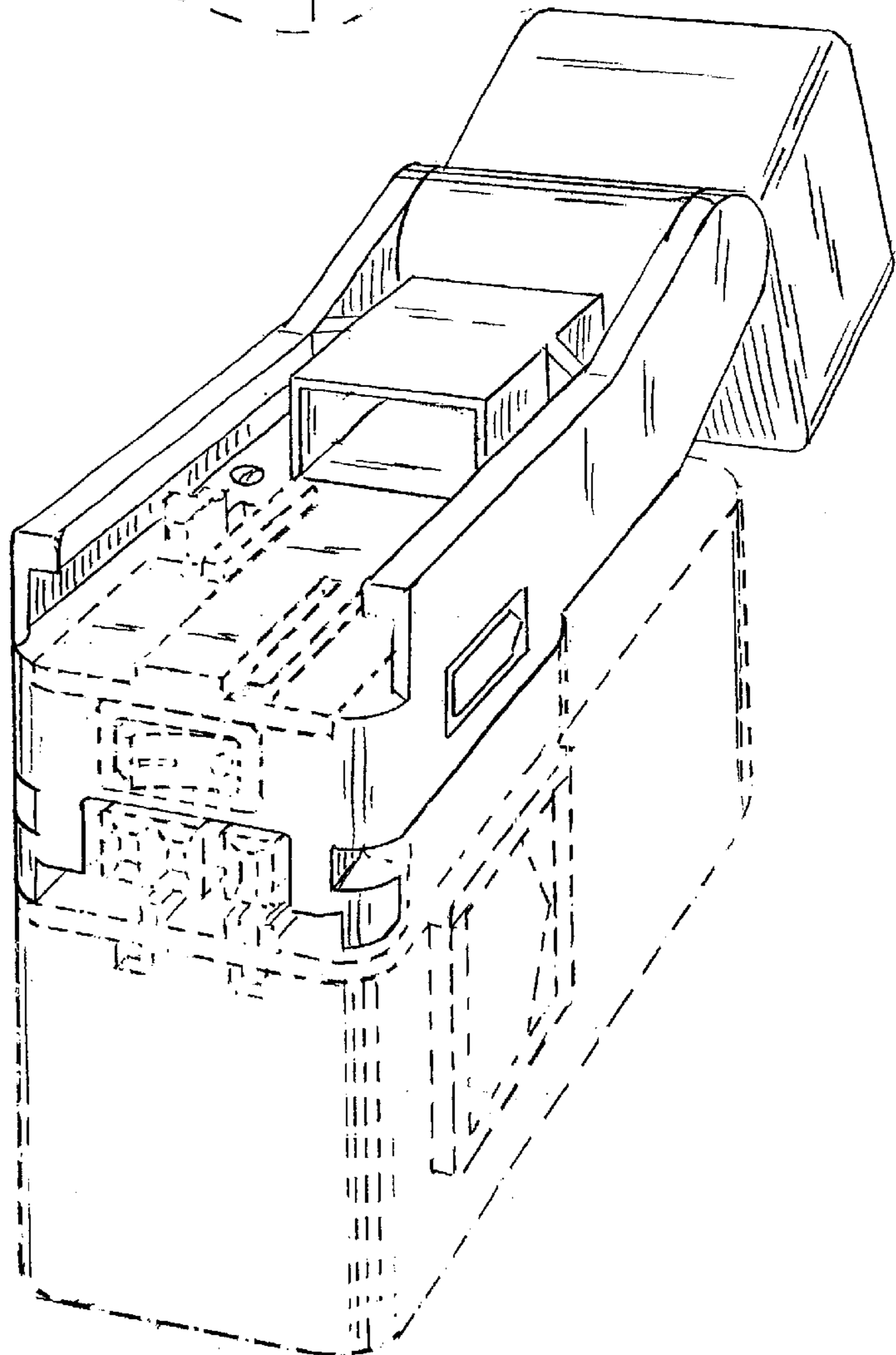


Fig. 4

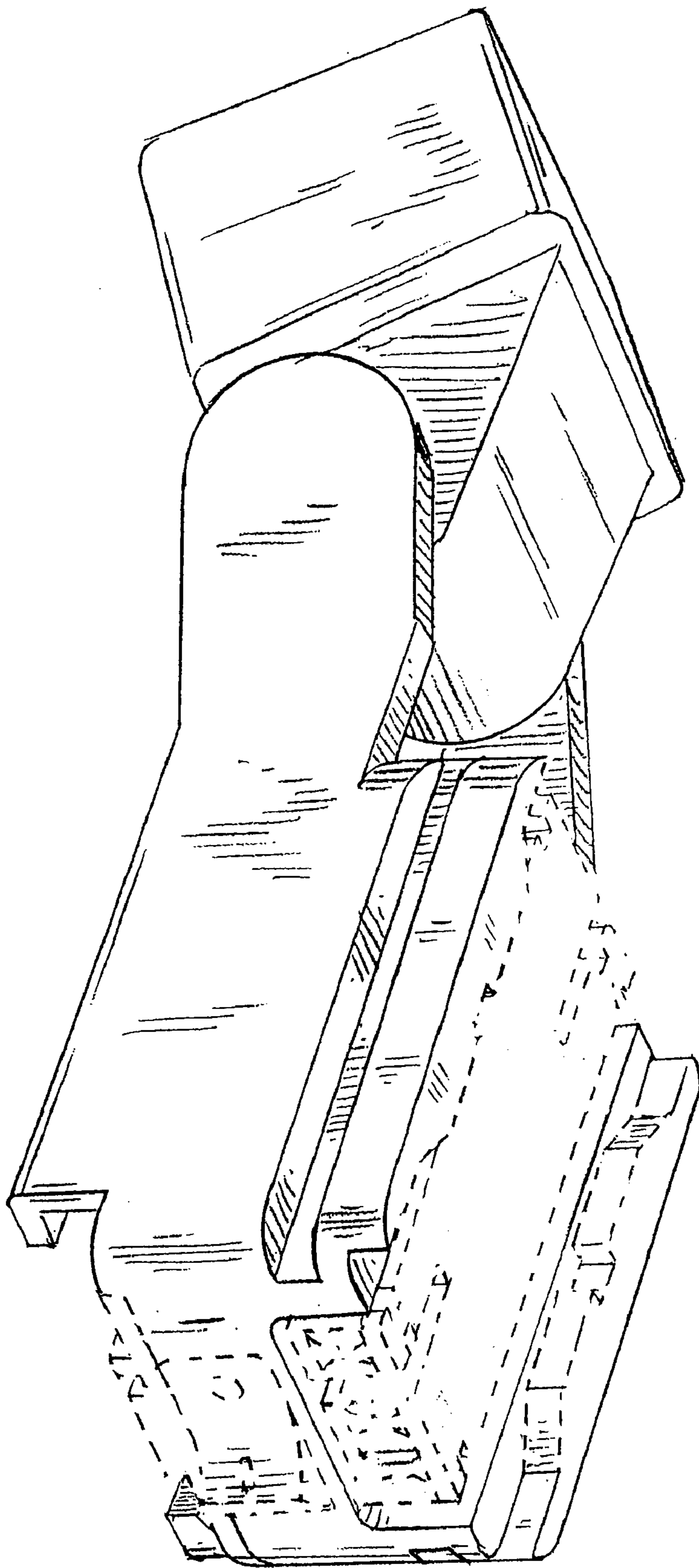


Fig. 5