



US00D485377S

(12) **United States Design Patent**
Vakil

(10) **Patent No.:** **US D485,377 S**

(45) **Date of Patent:** **** Jan. 13, 2004**

(54) **LIGHT BULB**

D354,145 * 1/1995 Matsumura et al. D26/3

(75) **Inventor:** **Usman Vakil**, Walnut, CA (US)

* cited by examiner

(73) **Assignee:** **Lights of America, Inc.**, Walnut, CA (US)

Primary Examiner—Marcus A. Jackson
(74) *Attorney, Agent, or Firm*—Foley & Lardner

(**) **Term:** **14 Years**

(57) **CLAIM**

(21) **Appl. No.:** **29/172,611**

The ornamental design for a light bulb, as shown and described.

(22) **Filed:** **Dec. 13, 2002**

DESCRIPTION

(51) **LOC (7) Cl.** **26-06**

(52) **U.S. Cl.** **D26/2; D26/3**

(58) **Field of Search** D26/1, 2, 3, 4;
313/313, 315, 317, 318; 315/52, 53, 56,
57

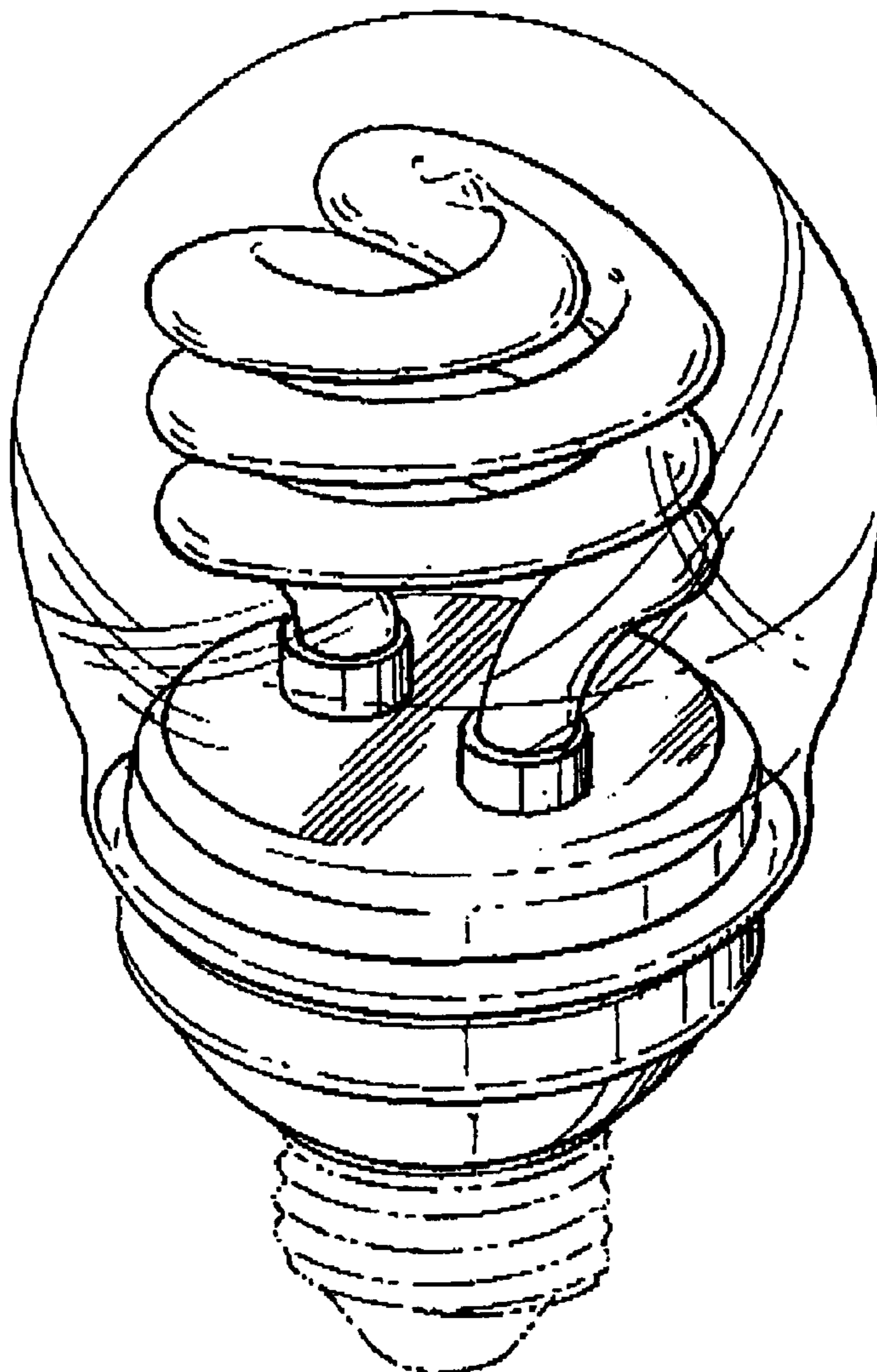
FIG. 1 is a perspective view of the light bulb, with the broken line showing for illustrative purposes only and forming no part of the claimed design;
FIG. 2 is a first side elevational view of the light bulb;
FIG. 3 is a second side elevational view of the light bulb.
FIG. 4 is a top plan view of the light bulb; and,
FIG. 5 is a bottom plan view of the light bulb.

(56) **References Cited**

U.S. PATENT DOCUMENTS

D353,901 * 12/1994 Sangen et al. D26/3

1 Claim, 4 Drawing Sheets



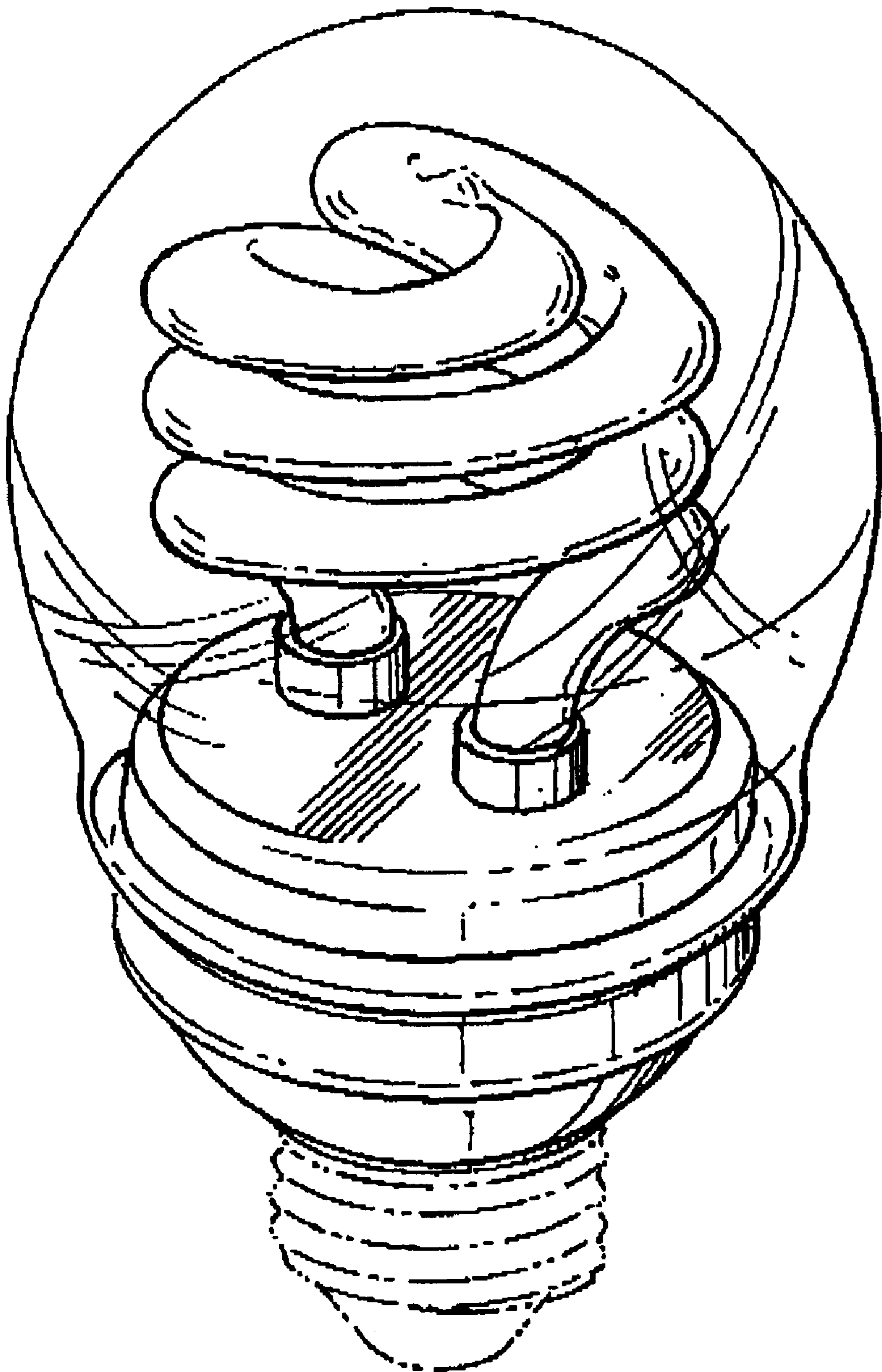


FIG. 1

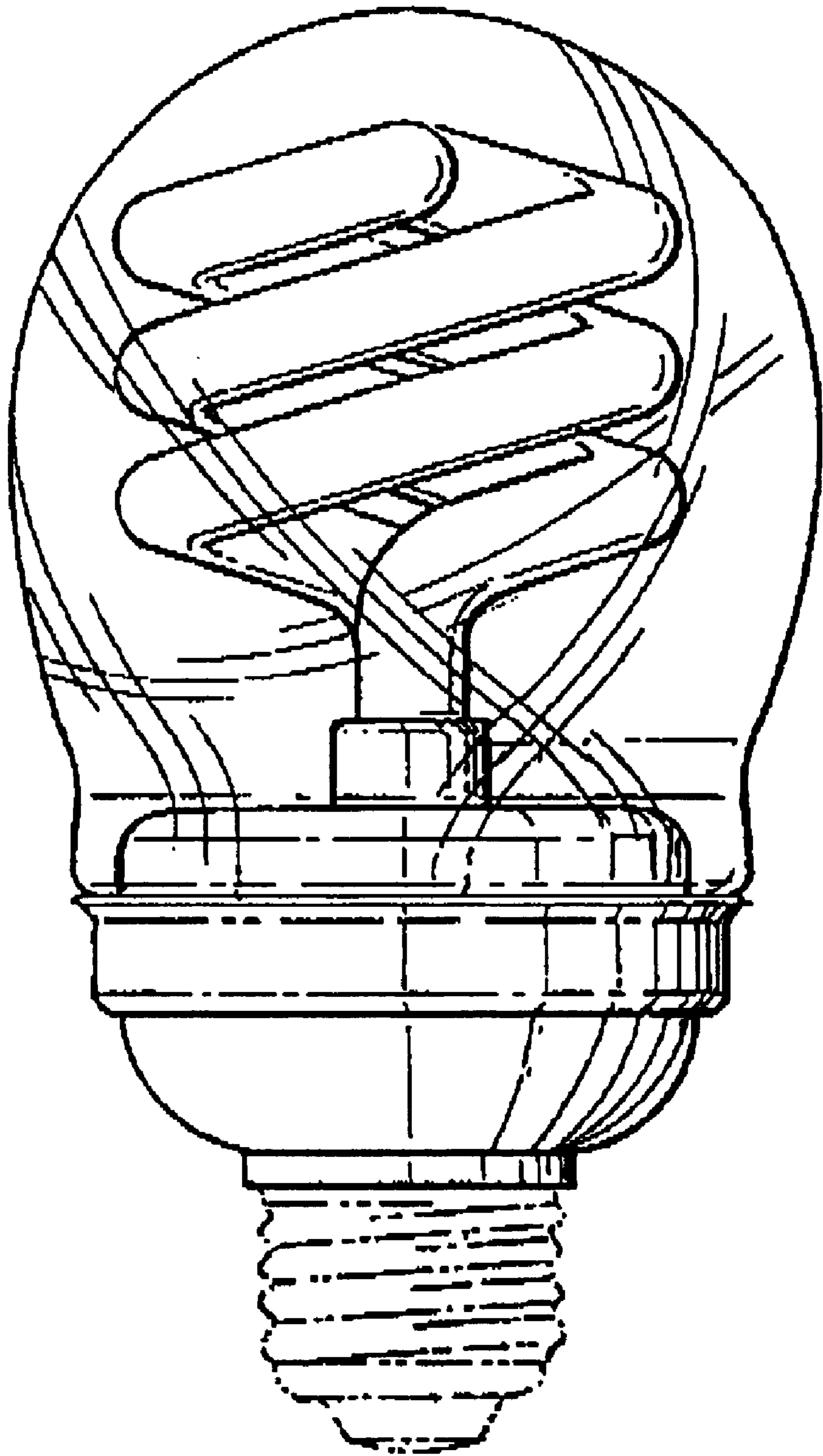


FIG. 2

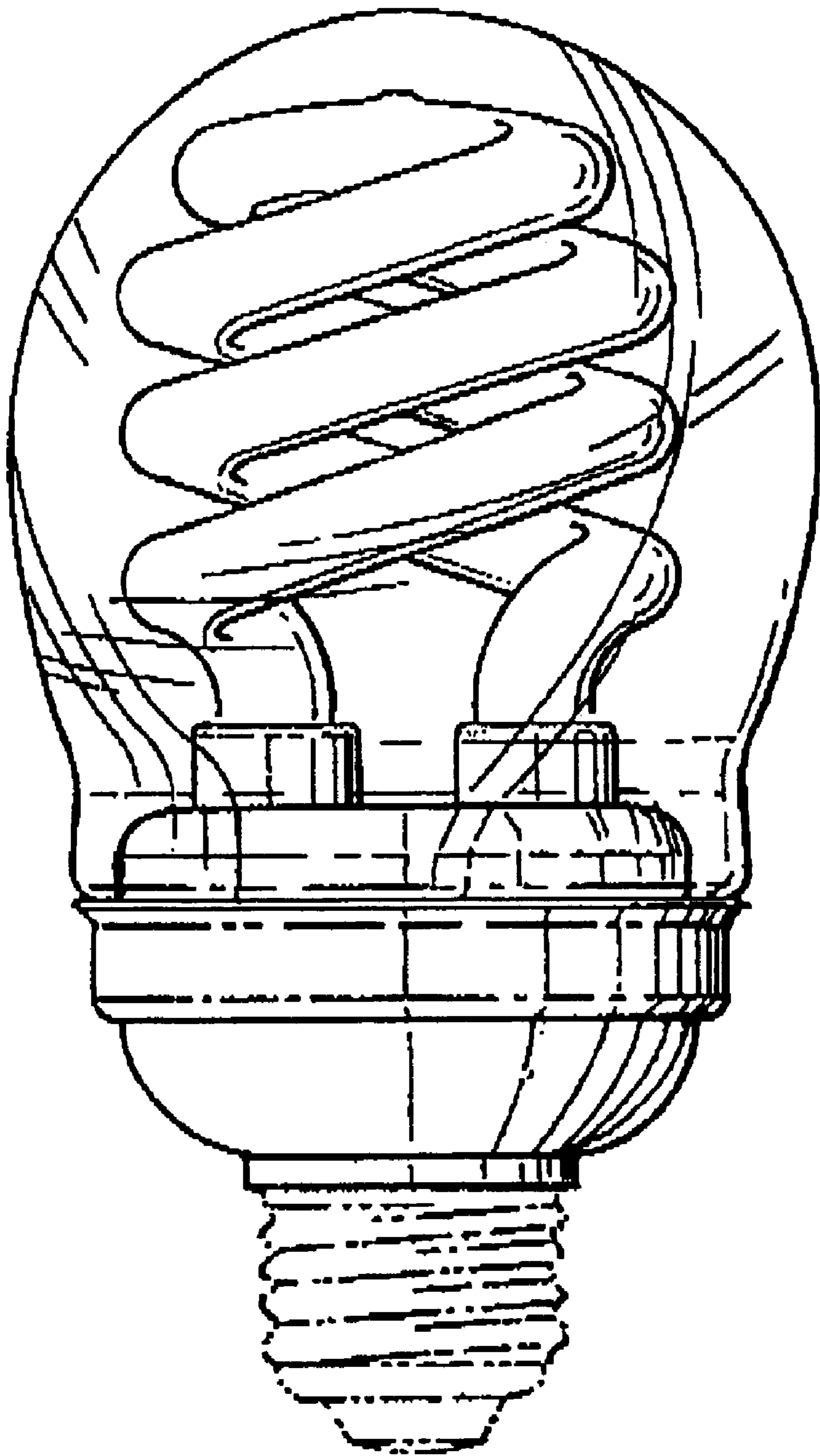


FIG. 3

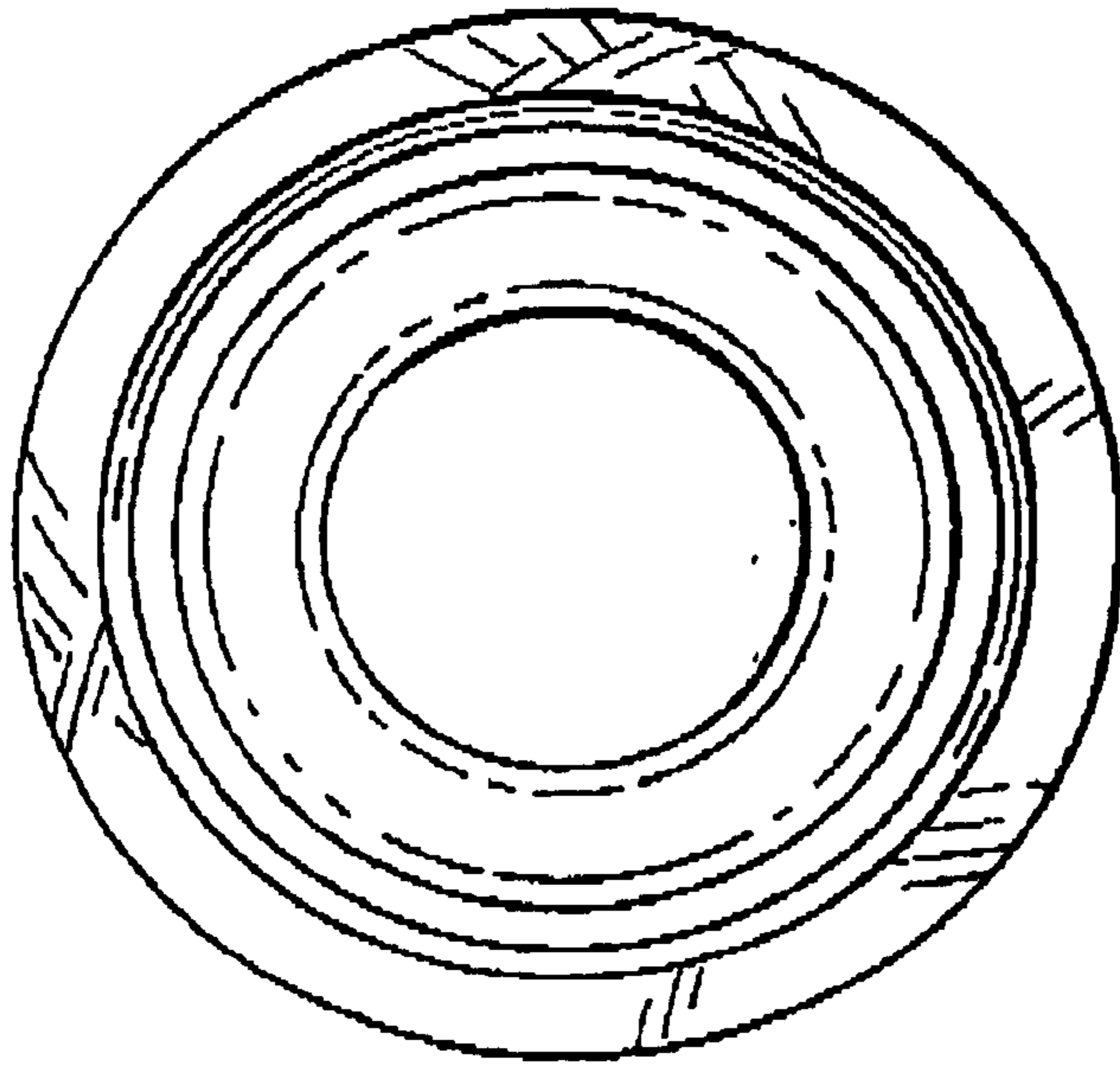


FIG. 5

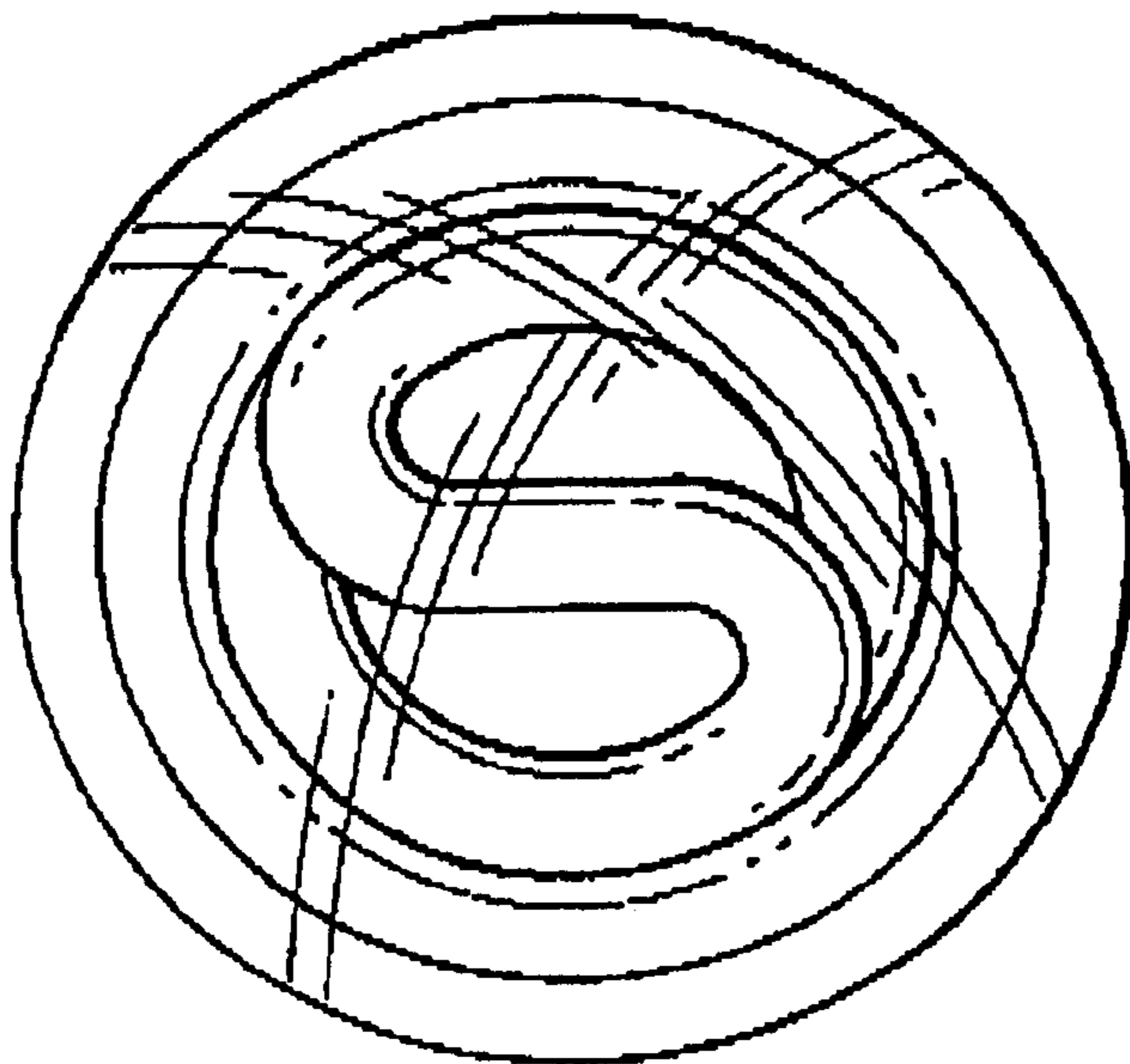


FIG. 4