



US00D485373S

(12) **United States Design Patent**
Morton et al.

(10) **Patent No.:** **US D485,373 S**

(45) **Date of Patent:** **** Jan. 13, 2004**

(54) **DECK PLANK EXTRUSION**

6,301,842 B1 * 10/2001 Chaney et al. 52/177
D459,491 S * 6/2002 Bentetifa et al. D25/125
D459,818 S 7/2002 Chaney et al.

(75) Inventors: **Philip G. Morton**, Germantown, OH
(US); **David A. Stammen**, Dayton, OH
(US); **Todd J. Hamilton**, Middletown,
OH (US); **Scott A. Ricke**, Trenton, OH
(US)

* cited by examiner

(73) Assignee: **Dayton Technologies, L.L.C.**, Monroe,
OH (US)

Primary Examiner—Doris Clark

(74) *Attorney, Agent, or Firm*—Jacox, Meckstroth &
Jenkins

(**) Term: **14 Years**

(57) **CLAIM**

(21) Appl. No.: **29/174,863**

The ornamental design of a deck plank extrusion, as shown
and described.

(22) Filed: **Jan. 27, 2003**

DESCRIPTION

(51) **LOC (7) Cl.** **25-01**

(52) **U.S. Cl.** **D25/125; D25/138**

(58) **Field of Search** D25/125; 119/525,
119/529, 530; 52/177, 592.1, 588.1; 405/196,
201; 14/73

FIG. 1 is a perspective view of a deck plank extrusion,
showing our new design, with a middle portion broken away
to disclose indefinite length; and,

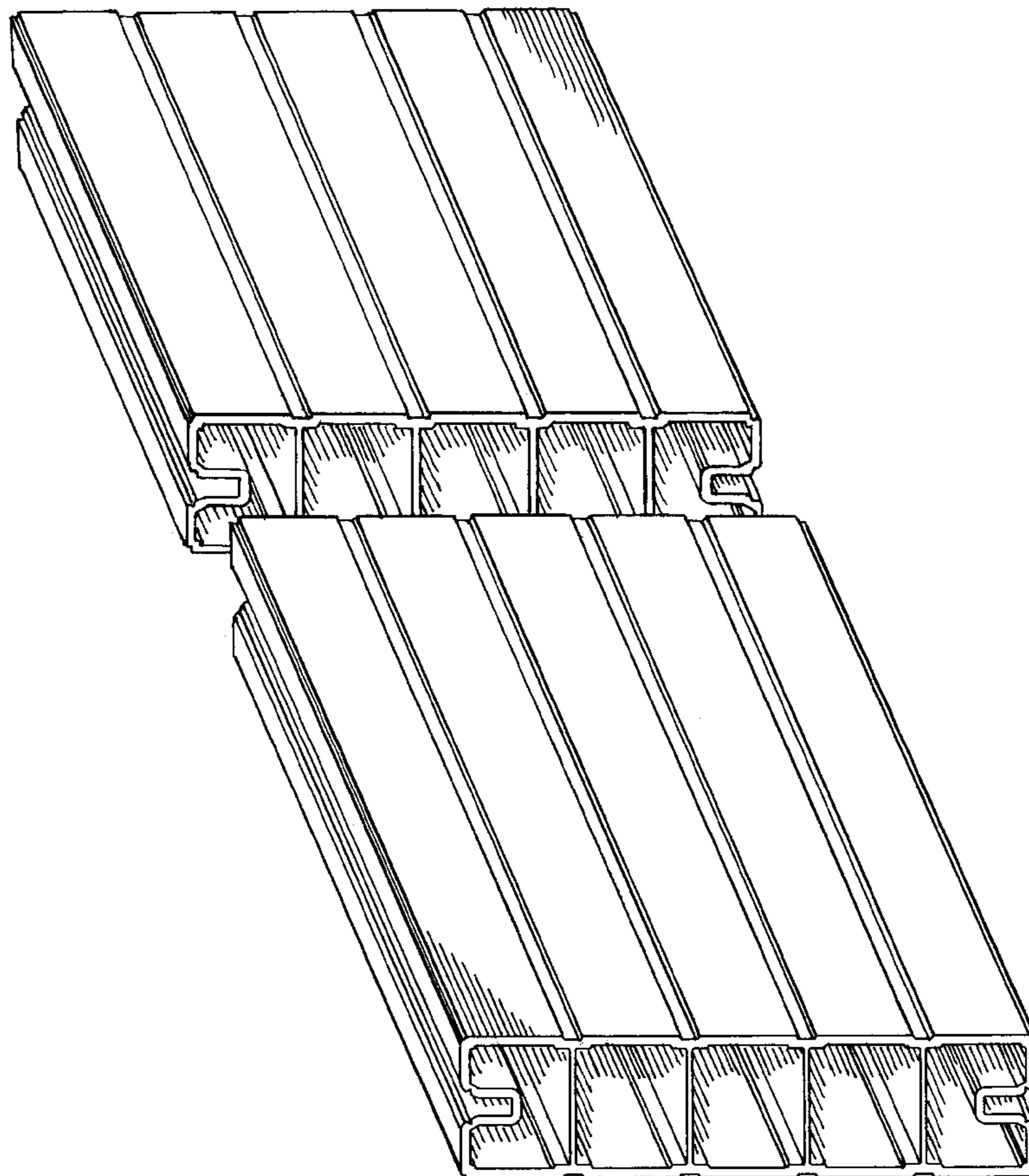
FIG. 2 is an end view thereof, the opposite end view being
a mirror image.

(56) **References Cited**

U.S. PATENT DOCUMENTS

5,850,720 A 12/1998 Willis

1 Claim, 1 Drawing Sheet



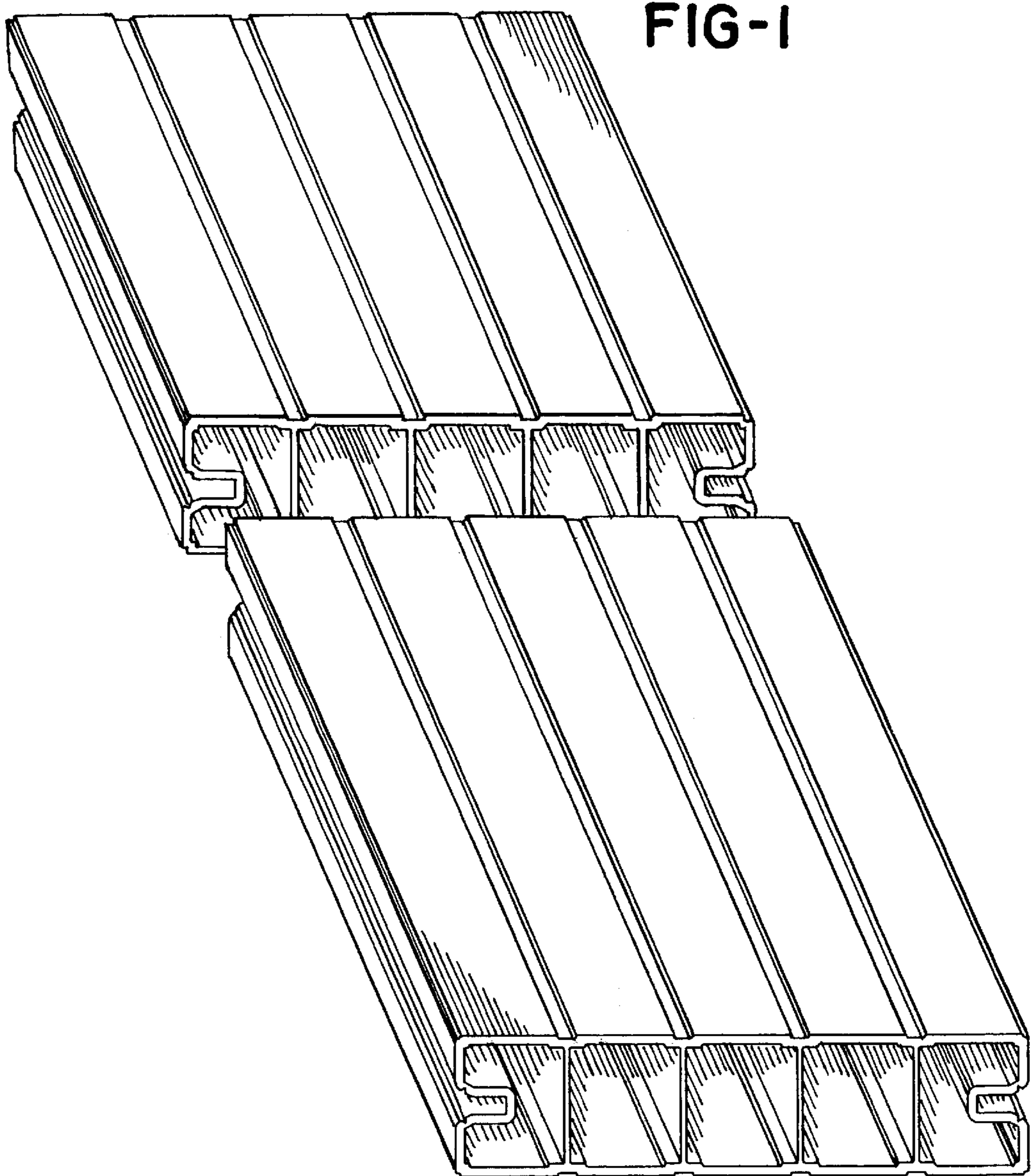


FIG-2

