



US00D485372S

(12) **United States Design Patent**
Hartelius et al.

(10) **Patent No.:** **US D485,372 S**

(45) **Date of Patent:** **** Jan. 13, 2004**

(54) **WALL BLOCK PLANTER**

(76) Inventors: **Mark E. Hartelius**, 8112 Komensky,
Chicago, IL (US) 60652; **Laura C. Pacheco**, 8112 Komensky, Chicago, IL
(US) 60652

(**) Term: **14 Years**

(21) Appl. No.: **29/176,390**

(22) Filed: **Feb. 21, 2003**

(51) **LOC (7) Cl.** **25-01**

(52) **U.S. Cl.** **D25/113**

(58) **Field of Search** D25/102, 112-116,
D25/118, 199; D21/484, 500-501; 52/102,
311.2, 574-575, 588.1, 598.1, 591.1, 592.6;
404/29, 34-35, 41-42; 405/16, 284, 286,
303; D11/155; 47/33

(56) **References Cited**

U.S. PATENT DOCUMENTS

- 3,389,499 A * 6/1968 Haile 47/33
- 4,521,138 A 6/1985 Steiner 405/284
- 4,658,541 A 4/1987 Haile 47/83
- D297,822 S 9/1988 Blaicher D11/143
- 4,914,876 A 4/1990 Forsberg 52/169.4
- 4,964,761 A * 10/1990 Rossi 405/286
- 5,108,231 A * 4/1992 Rausch D25/113 X

- 5,161,918 A 11/1992 Hodel 405/286
- 5,214,898 A 6/1993 Beretta 52/606
- 5,474,405 A * 12/1995 Anderson et al. 405/286
- 5,651,642 A 7/1997 Kelley, Jr. et al. 405/286
- 6,474,036 B2 * 11/2002 Martin et al. 52/592.6 X
- D466,829 S 12/2002 Hsia et al. D11/155

* cited by examiner

Primary Examiner—Louis S. Zarfes

Assistant Examiner—Robert A. Delehanty

(74) *Attorney, Agent, or Firm*—Robert W. J. Usher

(57) **CLAIM**

The ornamental design for a wall block planter, as shown and described.

DESCRIPTION

FIG. 1 is a top front and right side perspective view of a wall block planter showing my new design; FIG. 2 is a top plan view thereof; FIG. 3 is a front view thereof; FIG. 4 is a rear view thereof; and, FIG. 5 is a left side view thereof (the right side being a mirror image).

The broken line showing of surface ornamentation of the front of the block is for illustrative purposes only and forms no part of the claimed design.

1 Claim, 2 Drawing Sheets

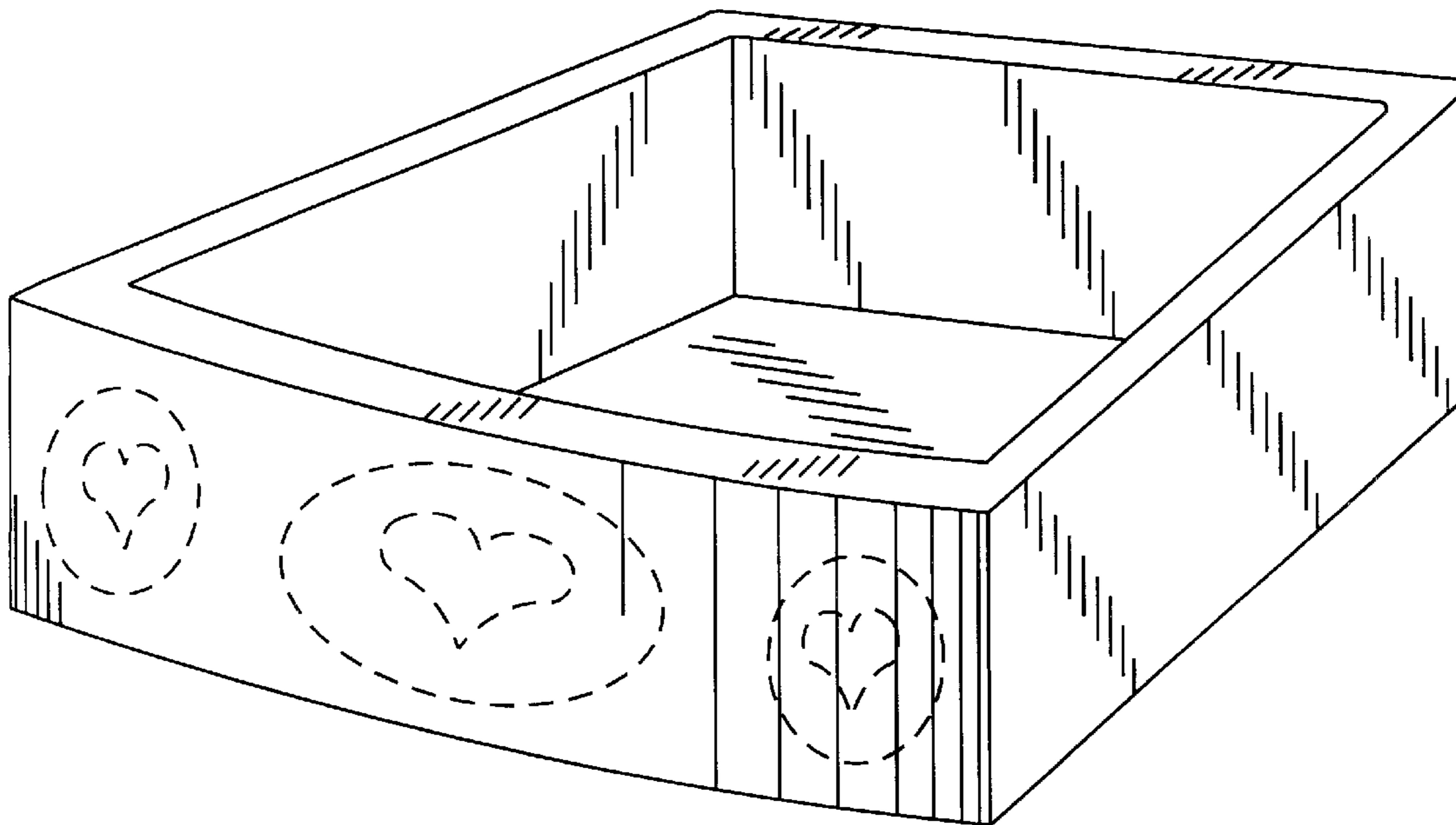


FIG. 1

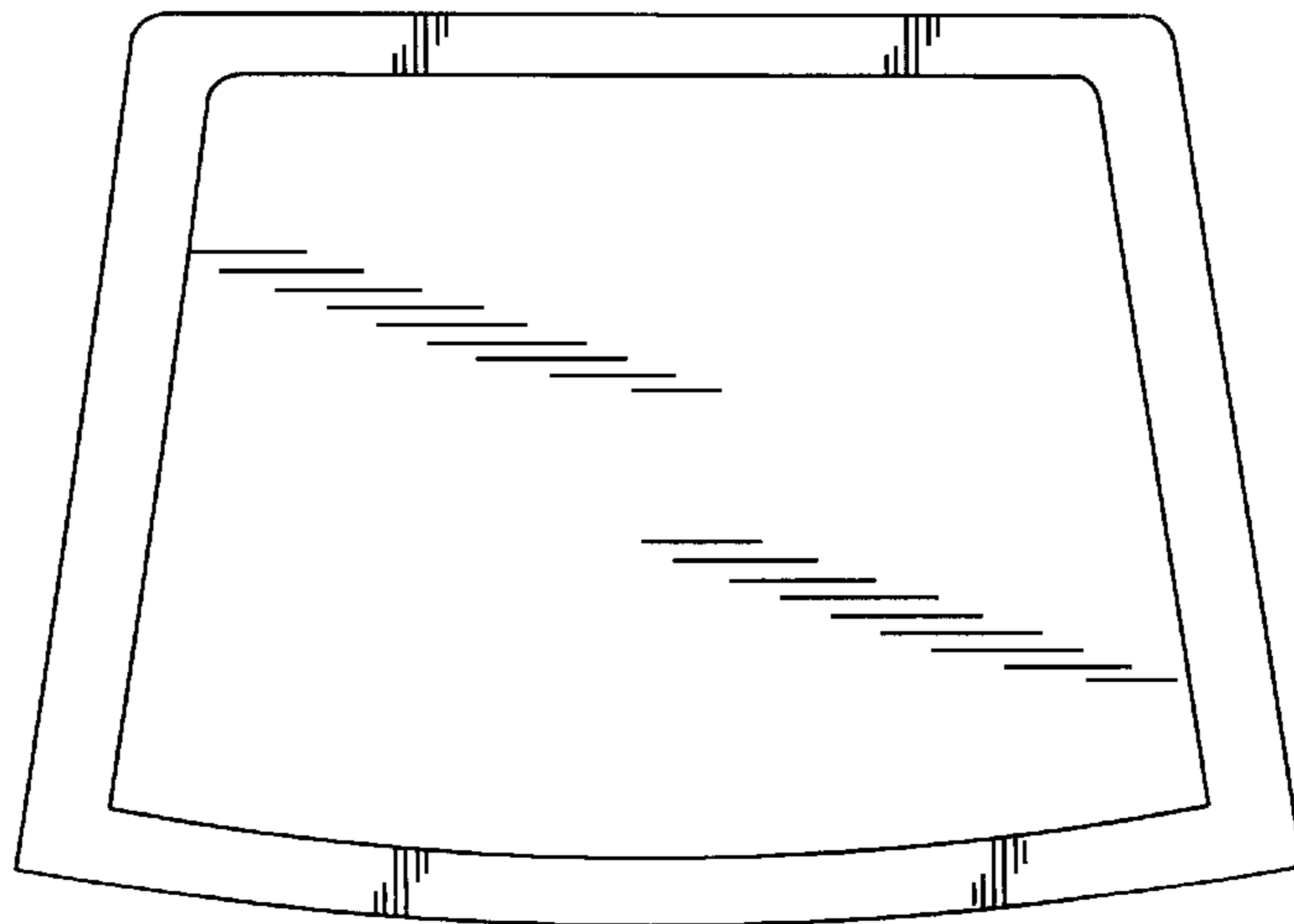
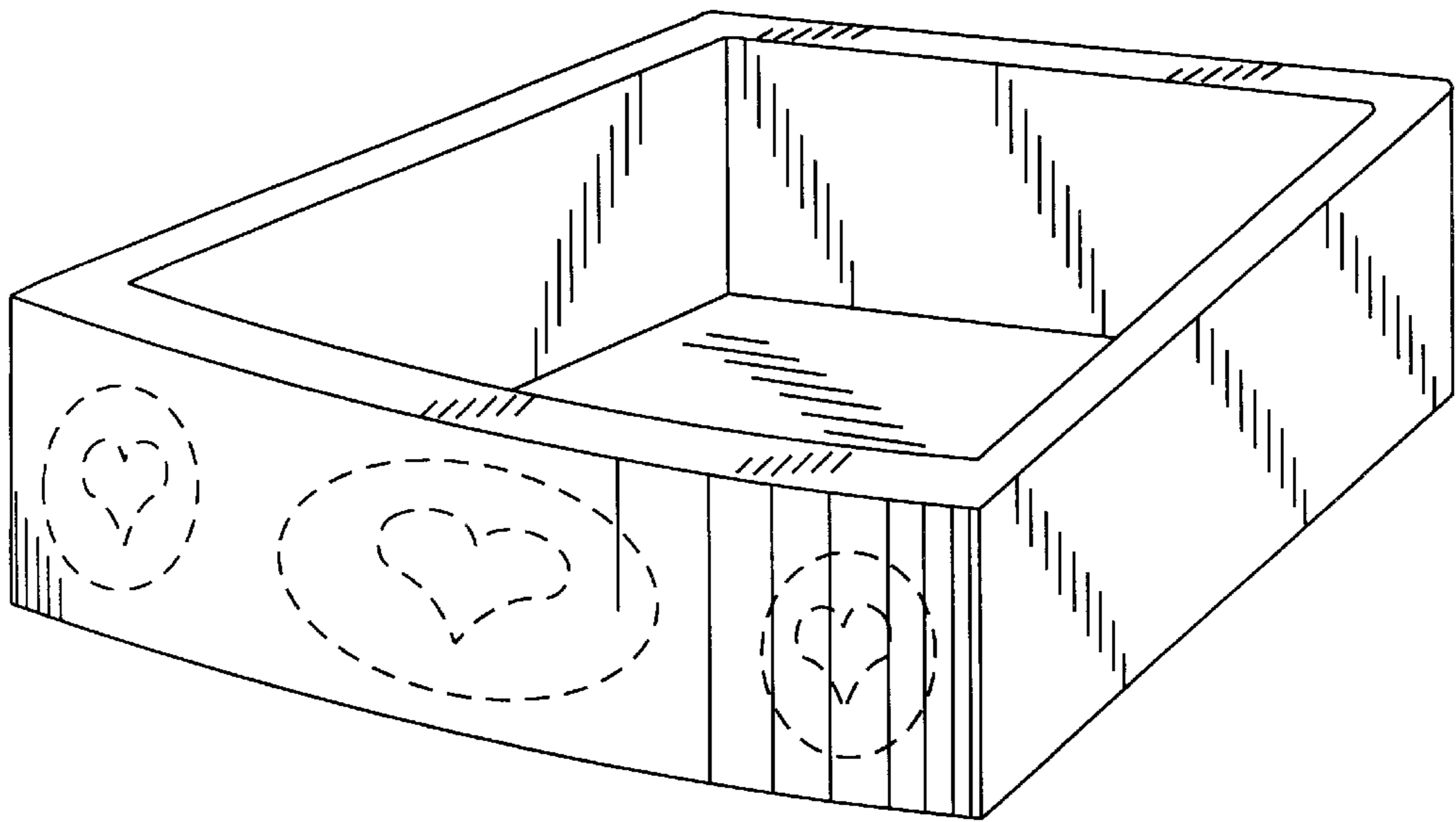


FIG. 2

FIG. 3

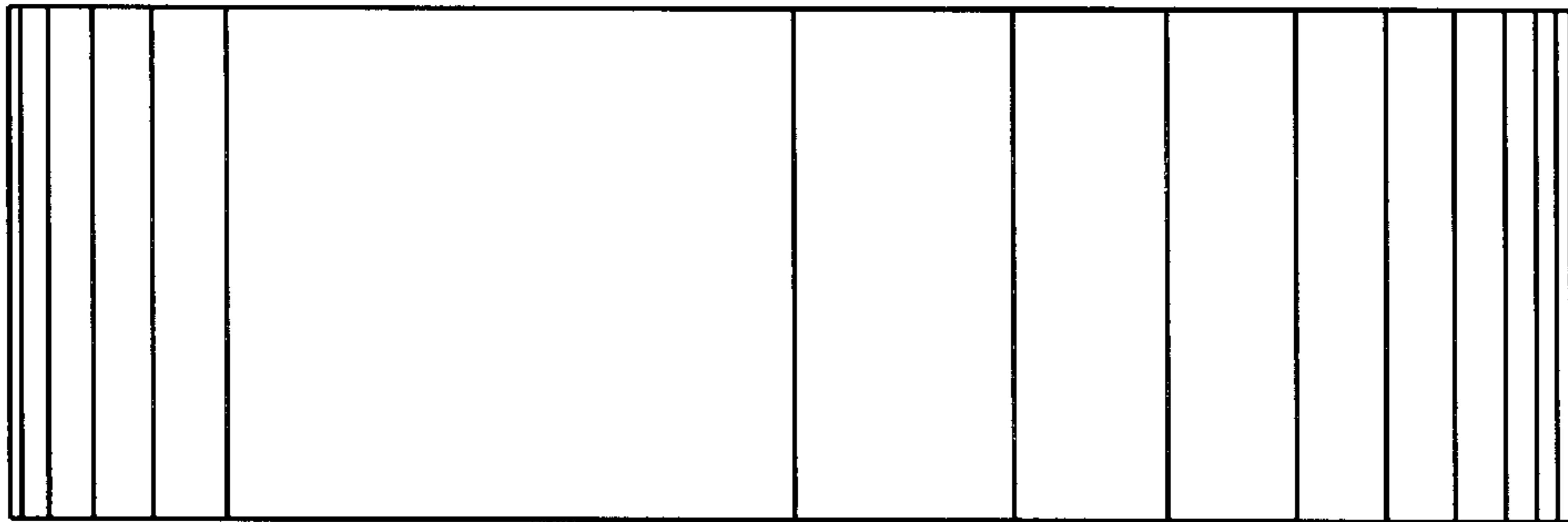


FIG. 4

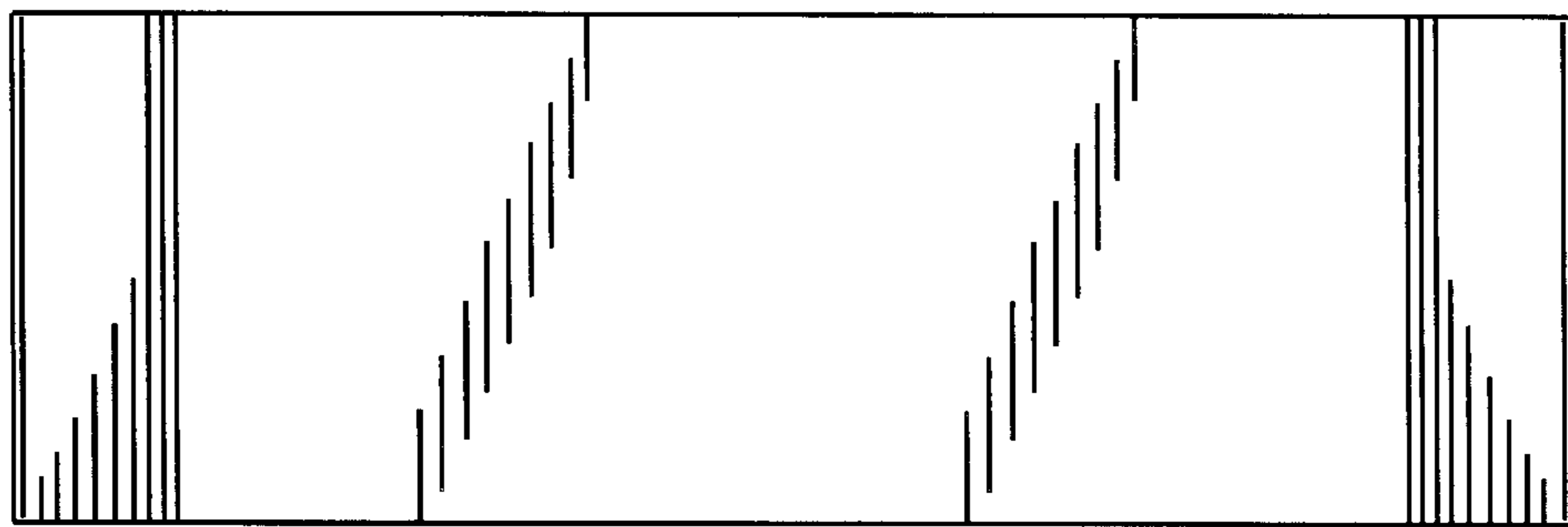


FIG. 5

