



US00D485371S

(12) **United States Design Patent**  
**Burgess et al.**

(10) **Patent No.: US D485,371 S**  
(45) **Date of Patent: \*\* Jan. 13, 2004**

(54) **RETAINING WALL BLOCK**  
(75) Inventors: **Andrew Burgess**, Fall Creek, WI (US);  
**William Henschler**, Eau Claire, WI (US)  
(73) Assignee: **Menard, Inc.**, Eau Claire, WI (US)  
(\*\*) Term: **14 Years**  
(21) Appl. No.: **29/176,095**  
(22) Filed: **Feb. 17, 2003**  
(51) **LOC (7) Cl. .... 25-02**  
(52) **U.S. Cl. .... D25/113**  
(58) **Field of Search .... D25/113-118;**  
D21/484-485, 490, 493, 500-503; 405/16,  
284; 404/34, 40-42; 52/102, 503, 574,  
596-613

5,601,384 A 2/1997 Dawson ..... 405/284  
5,622,456 A 4/1997 Risi et al. .... 405/284  
D380,560 S 7/1997 Forsberg ..... D25/113  
D381,086 S 7/1997 Forsberg ..... D25/113  
D384,168 S 9/1997 Stevenson ..... D25/115  
D387,434 S 12/1997 Dawson ..... D25/118  
5,704,183 A 1/1998 Woolford ..... 52/604  
D391,376 S \* 2/1998 Strand et al. .... D25/113  
D397,230 S 8/1998 Forsberg ..... D25/114  
D397,451 S 8/1998 Stevenson ..... D25/115  
5,795,105 A 8/1998 Guth ..... 405/284  
D403,437 S 12/1998 Risi et al. .... D25/113  
5,865,006 A 2/1999 Dawson ..... 52/604  
D429,006 S 8/2000 Price et al. .... D25/113  
D430,308 S 8/2000 Dawson ..... D25/113  
6,113,318 A 9/2000 Guth ..... 405/284  
6,149,352 A 11/2000 MacDonald ..... 405/284  
D435,304 S 12/2000 Rainey ..... D25/114  
6,178,704 B1 1/2001 Sievert ..... 52/100  
D438,640 S 3/2001 Bolles et al. .... D25/113  
6,209,848 B1 4/2001 Bolles et al. .... 249/119  
6,250,850 B1 6/2001 Price et al. .... 405/284  
RE37,278 E 7/2001 Forsberg ..... 52/585.1

(56) **References Cited**

**U.S. PATENT DOCUMENTS**

D296,365 S 6/1988 Forsberg ..... D25/116  
D297,767 S 9/1988 Forsberg ..... D25/58  
D298,463 S 11/1988 Forsberg ..... D25/114  
D299,067 S 12/1988 Forsberg ..... D25/58  
D300,253 S 3/1989 Forsberg ..... D25/114  
D300,254 S 3/1989 Forsberg ..... D25/114  
D301,064 S 5/1989 Forsberg ..... D25/116  
4,909,010 A 3/1990 Gravier ..... 52/609  
D317,048 S 5/1991 Forsberg ..... D25/112  
D319,885 S 9/1991 Blomquist et al. .... D25/118  
D321,060 S 10/1991 Blomquist et al. .... D25/118  
5,161,918 A 11/1992 Hodel ..... 405/286  
RE34,314 E 7/1993 Forsberg ..... 52/562  
5,230,195 A \* 7/1993 Sease ..... 52/603 X  
D341,215 S 11/1993 Blomquist et al. .... D25/118  
D343,461 S \* 1/1994 Powell ..... D25/114  
D346,667 S 5/1994 Blomquist et al. .... D25/113  
5,337,527 A \* 8/1994 Wagenaar ..... 52/604 X  
D363,787 S \* 10/1995 Powell ..... D25/118  
5,484,236 A 1/1996 Gravier ..... 405/286  
D370,272 S 5/1996 Risi et al. .... D25/113  
5,551,809 A 9/1996 Forsberg ..... 405/285  
5,589,124 A 12/1996 Woolford et al. .... 264/157

(List continued on next page.)

*Primary Examiner*—Louis S. Zarfaz  
*Assistant Examiner*—Robert A. Delehanty  
(74) *Attorney, Agent, or Firm*—Boyle Fredrickson  
Newholm Stein & Gratz S.C.

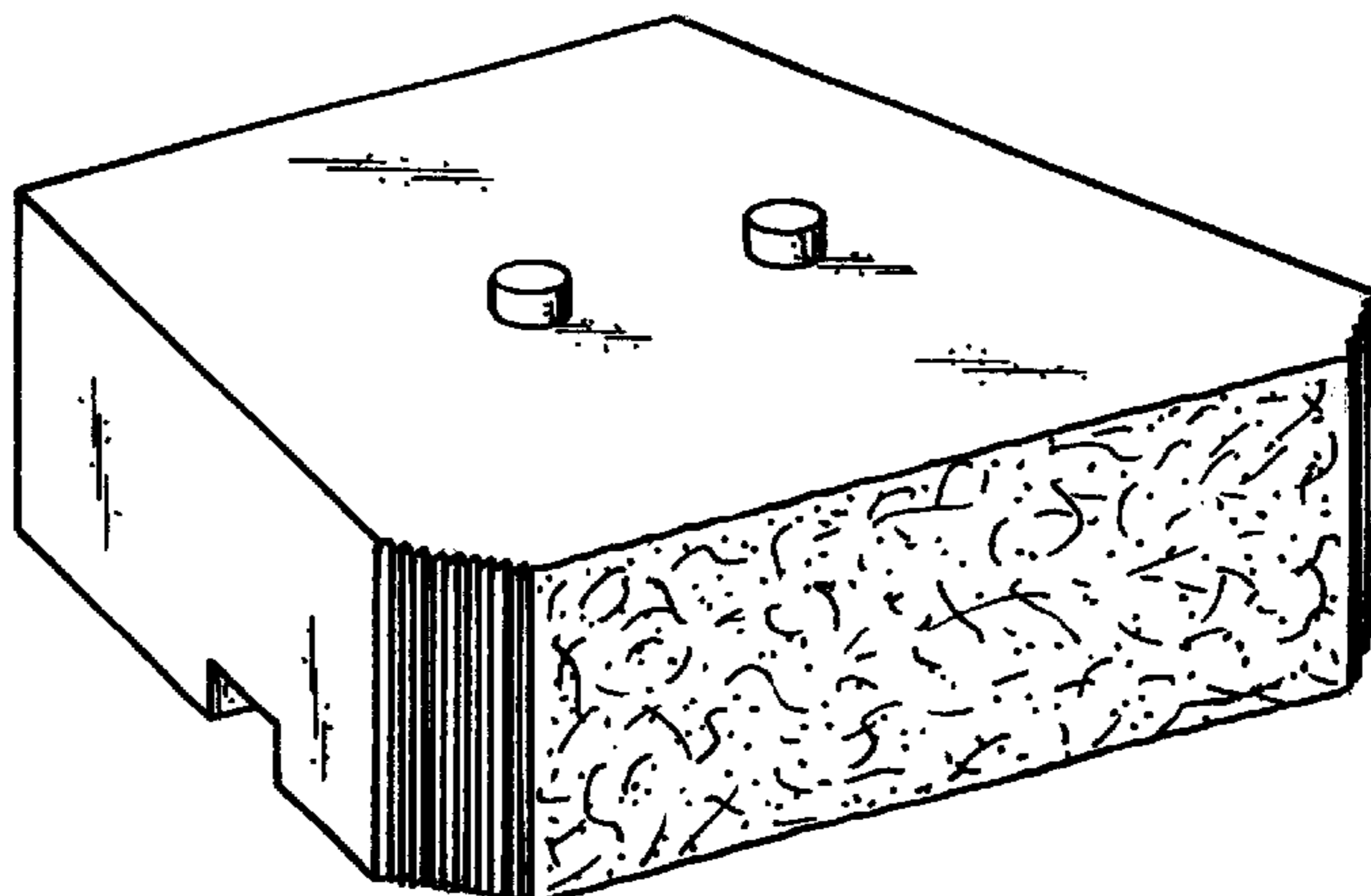
(57) **CLAIM**

The ornamental design for a retaining wall block, as shown and described.

**DESCRIPTION**

FIG. 1 is a front perspective view of a retaining wall block showing our new design;  
FIG. 2 is a top plan view of the block of FIG. 1;  
FIG. 3 is a bottom plan view of the block of FIG. 1;  
FIG. 4 is a left side elevational view of the block of FIG. 1, the right side elevational view being a mirror copy of this view;  
FIG. 5 is a rear elevational view of the block of FIG. 1; and,  
FIG. 6 is a front elevational view of the block of FIG. 1.

**1 Claim, 3 Drawing Sheets**



# US D485,371 S

Page 2

---

## U.S. PATENT DOCUMENTS

D445,512 S	7/2001	Sievert .....	D25/113	D464,149 S	10/2002	Risi et al. ....	D25/113
D452,332 S	12/2001	Blomquist et al. ....	D25/113	D464,440 S	10/2002	Risi et al. ....	D25/113
6,338,597 B1	1/2002	Rainey .....	405/262	D465,855 S *	11/2002	Risi et al. ....	D25/113
D458,693 S *	6/2002	Sievert .....	D25/113	D466,229 S *	11/2002	Risi et al. ....	D25/113
D459,487 S *	6/2002	Bott .....	D25/118				

\* cited by examiner

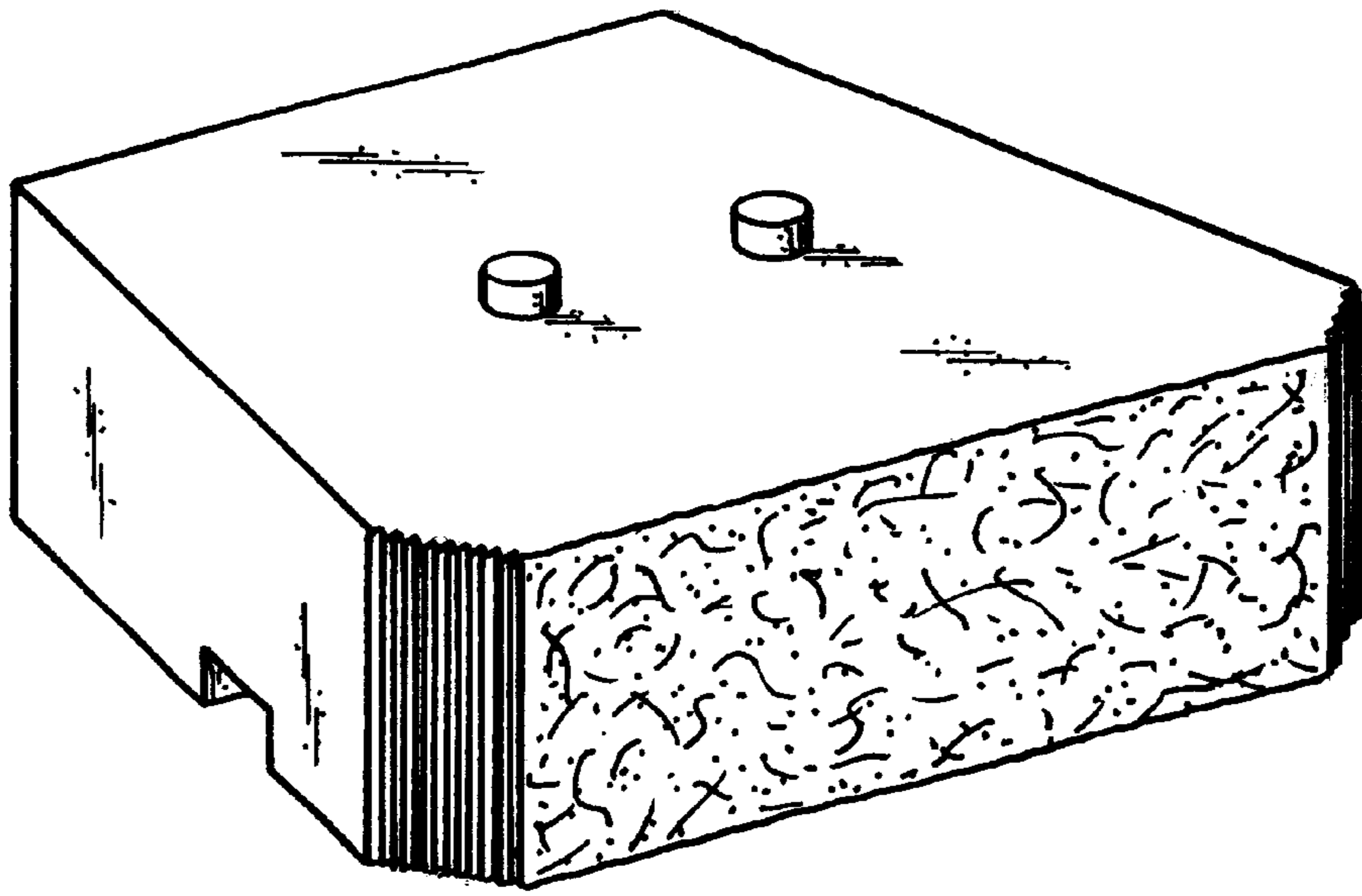


FIG. 1

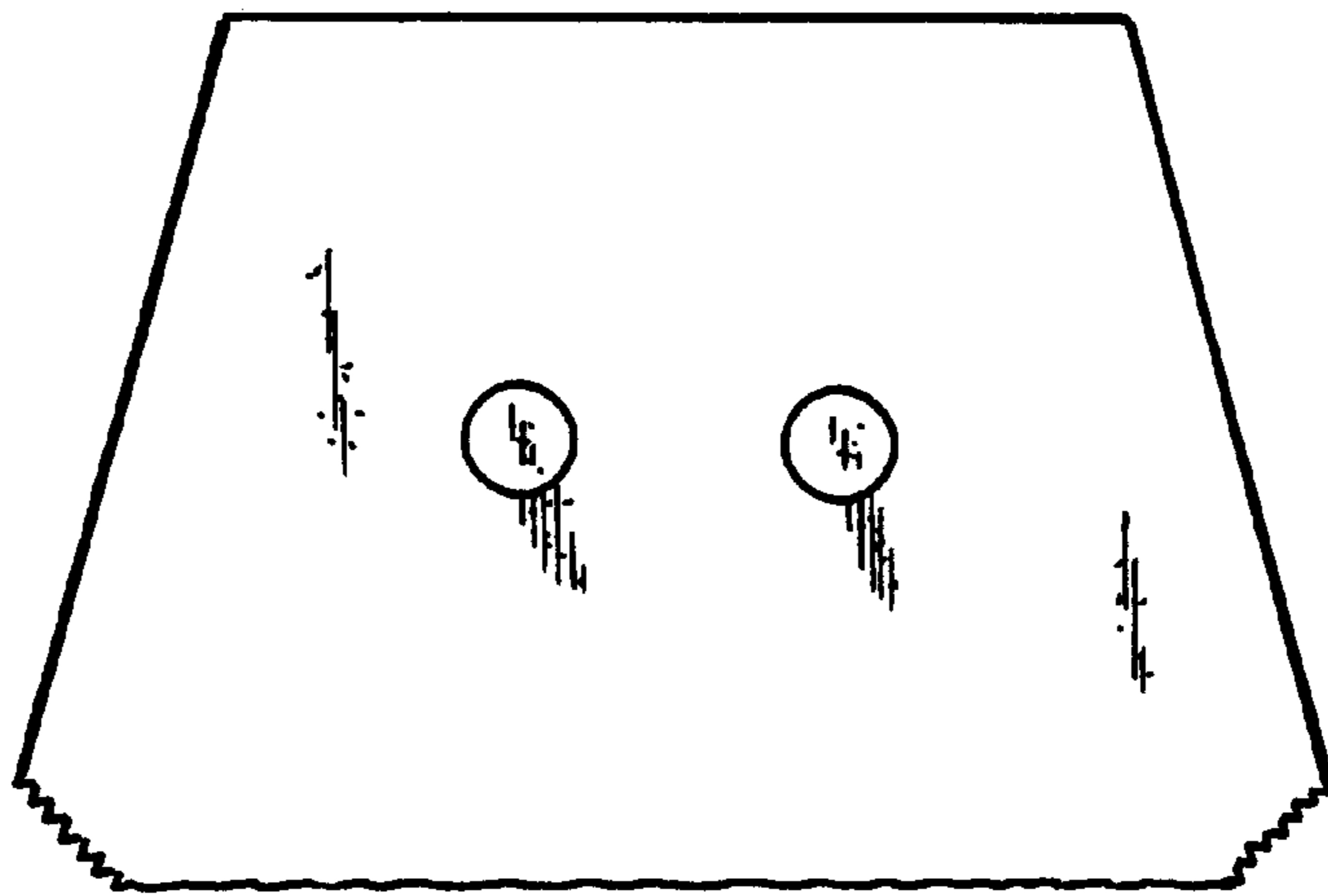


FIG. 2

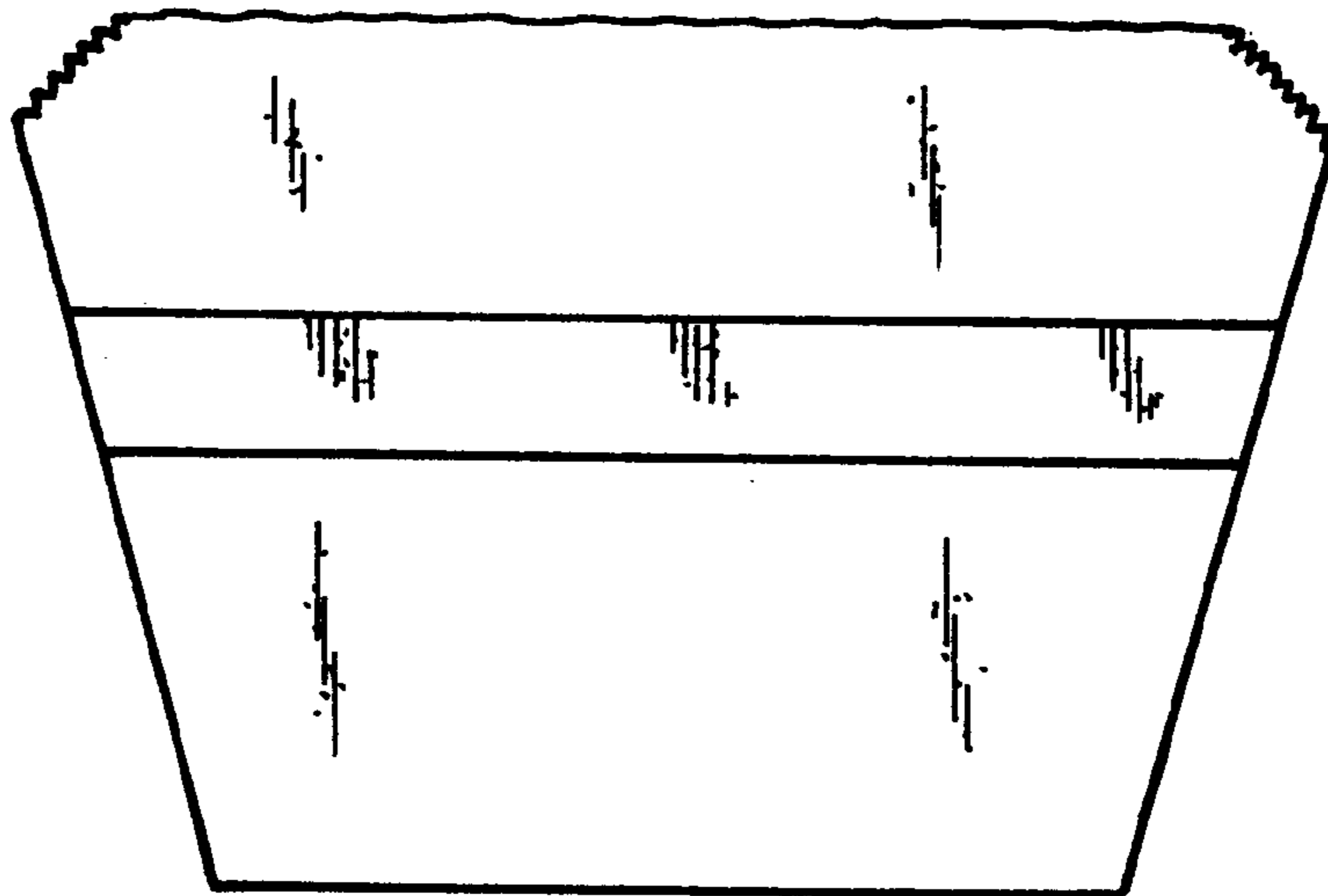


FIG. 3

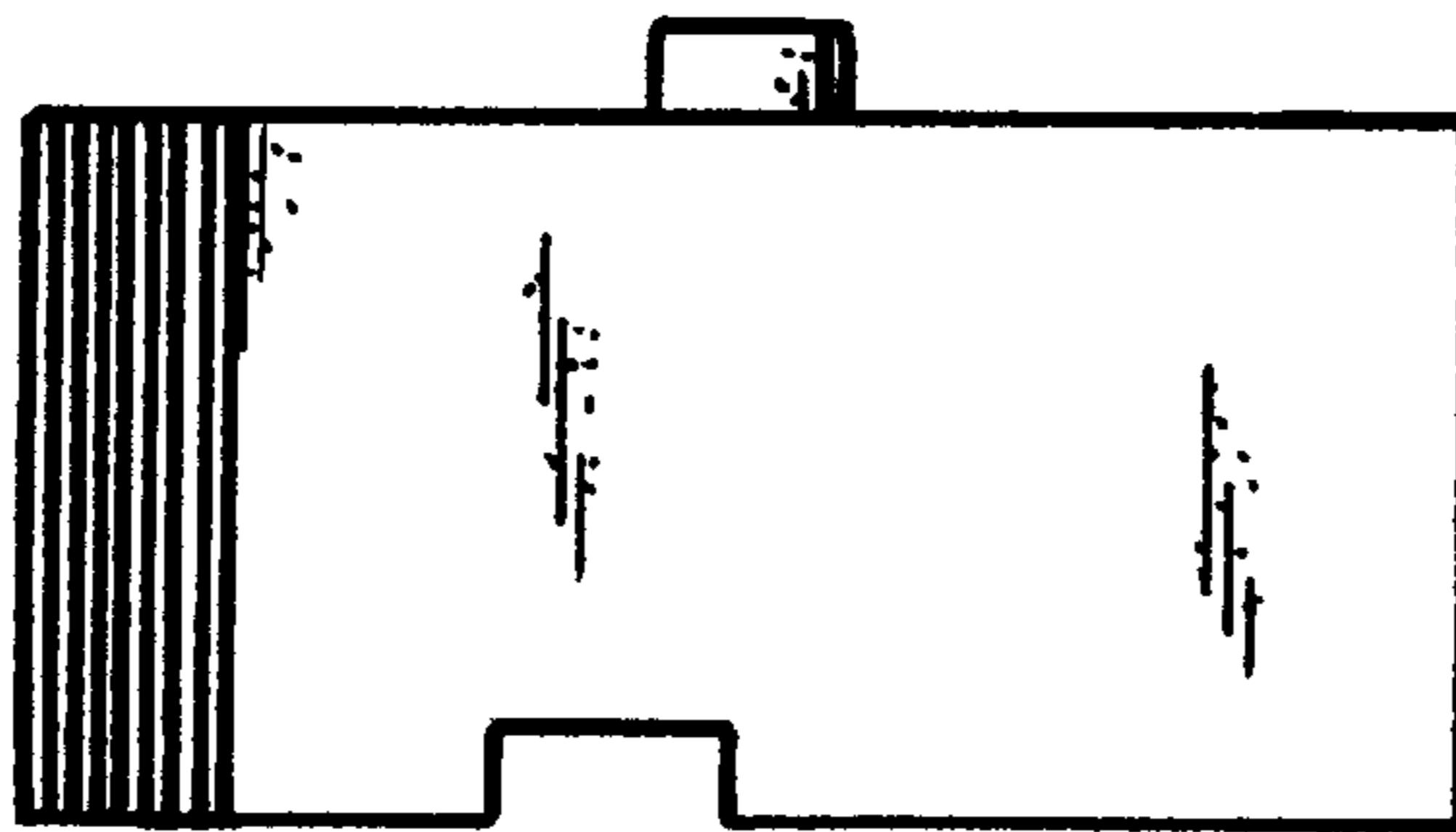


FIG. 4

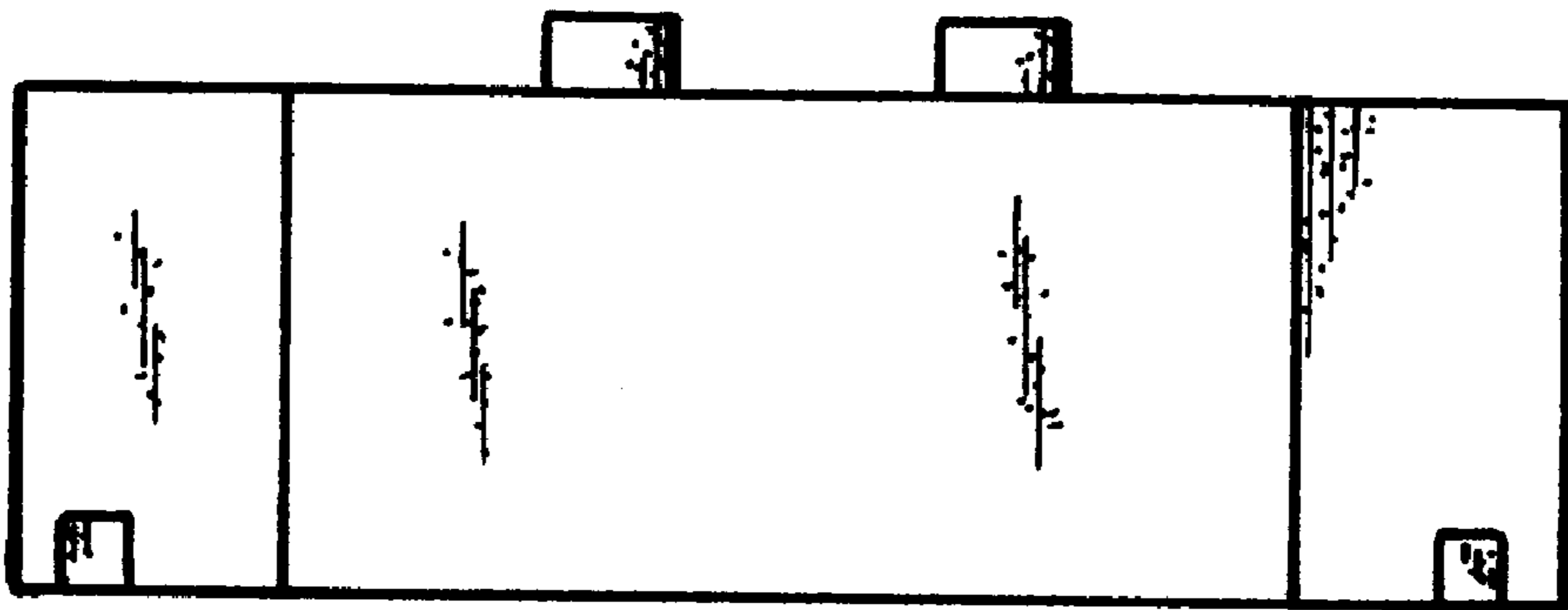


FIG. 5

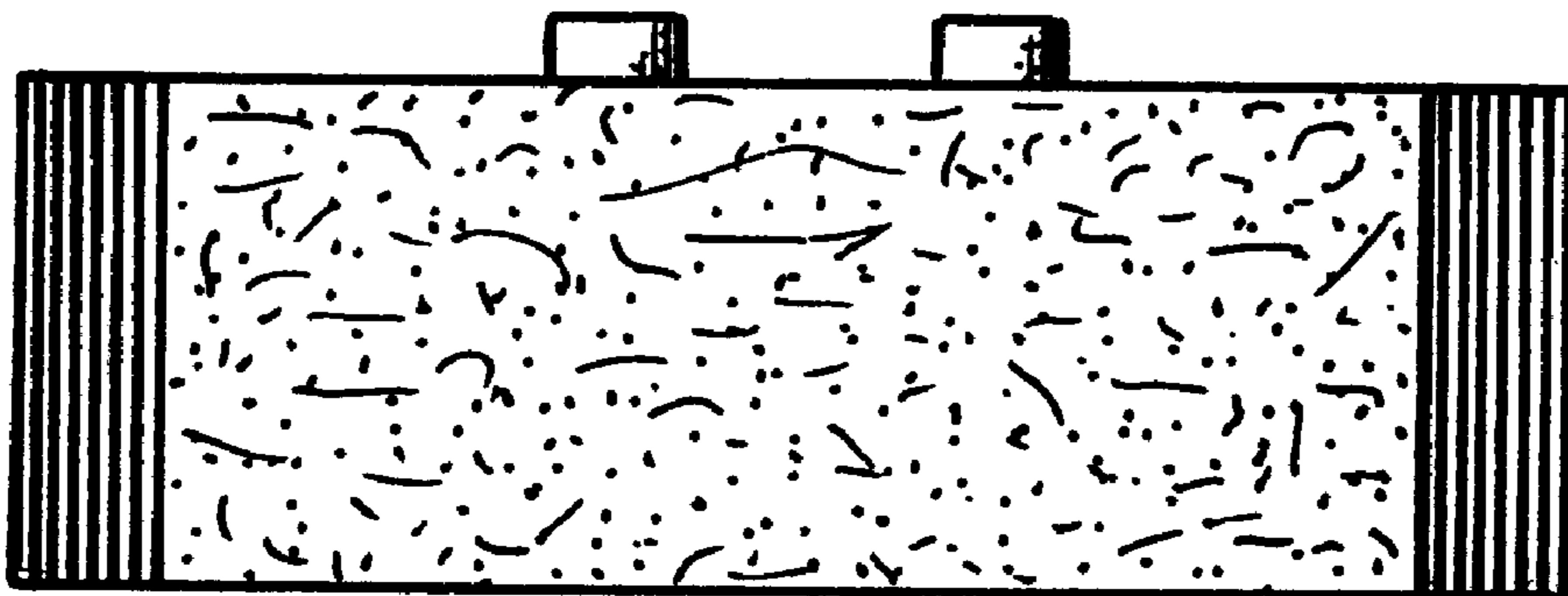


FIG. 6