



US00D485370S

(12) **United States Design Patent**  
**Schmitz et al.**

(10) **Patent No.:** **US D485,370 S**

(45) **Date of Patent:** **\*\* Jan. 13, 2004**

(54) **PAVING ELEMENT**

(75) Inventors: **Michael Schmitz**, Rheinmunster (DE);  
**Andreas Drost**, Karlsruhe (DE)

(73) Assignee: **F. Von Langsdorff Licensing Limited**,  
Inglewood (CA)

(\*\*) Term: **14 Years**

(21) Appl. No.: **29/173,641**

(22) Filed: **Jan. 3, 2003**

**Related U.S. Application Data**

(62) Division of application No. 29/146,054, filed on Aug. 3,  
2001.

(30) **Foreign Application Priority Data**

May 2, 2001 (WO) ..... DM/055 423

(51) **LOC (7) Cl.** ..... **25-01**

(52) **U.S. Cl.** ..... **D25/113**

(58) **Field of Search** ..... D25/102, 112-118,  
D25/199; D21/484-486, 499-505; 405/284,  
16, 272-273; 404/17-21, 29-30, 32-35,  
37-42; 52/102, 574-581, 588.1, 582.1,  
582.2, 596, 598-599, 603-612

(56) **References Cited**

**U.S. PATENT DOCUMENTS**

- D230,846 S \* 3/1974 Friederich ..... D23/113
- D365,643 S \* 12/1995 Wilhelm ..... D25/113
- 5,496,129 A \* 3/1996 Dube ..... 404/29
- D389,926 S \* 1/1998 Barth et al. .... D25/113
- D425,628 S \* 5/2000 Barth et al. .... D25/113
- 6,055,784 A \* 5/2000 Geiger ..... 52/603 X
- D426,317 S \* 6/2000 Fifield ..... D25/114

- D431,305 S \* 9/2000 Barth et al. .... D25/113
- D442,703 S \* 5/2001 Fifield ..... D25/113

\* cited by examiner

*Primary Examiner*—Louis S. Zarfes

*Assistant Examiner*—Robert A. Delehanty

(74) *Attorney, Agent, or Firm*—McCarthy Tétrault LLP;  
Santosh K. Chari

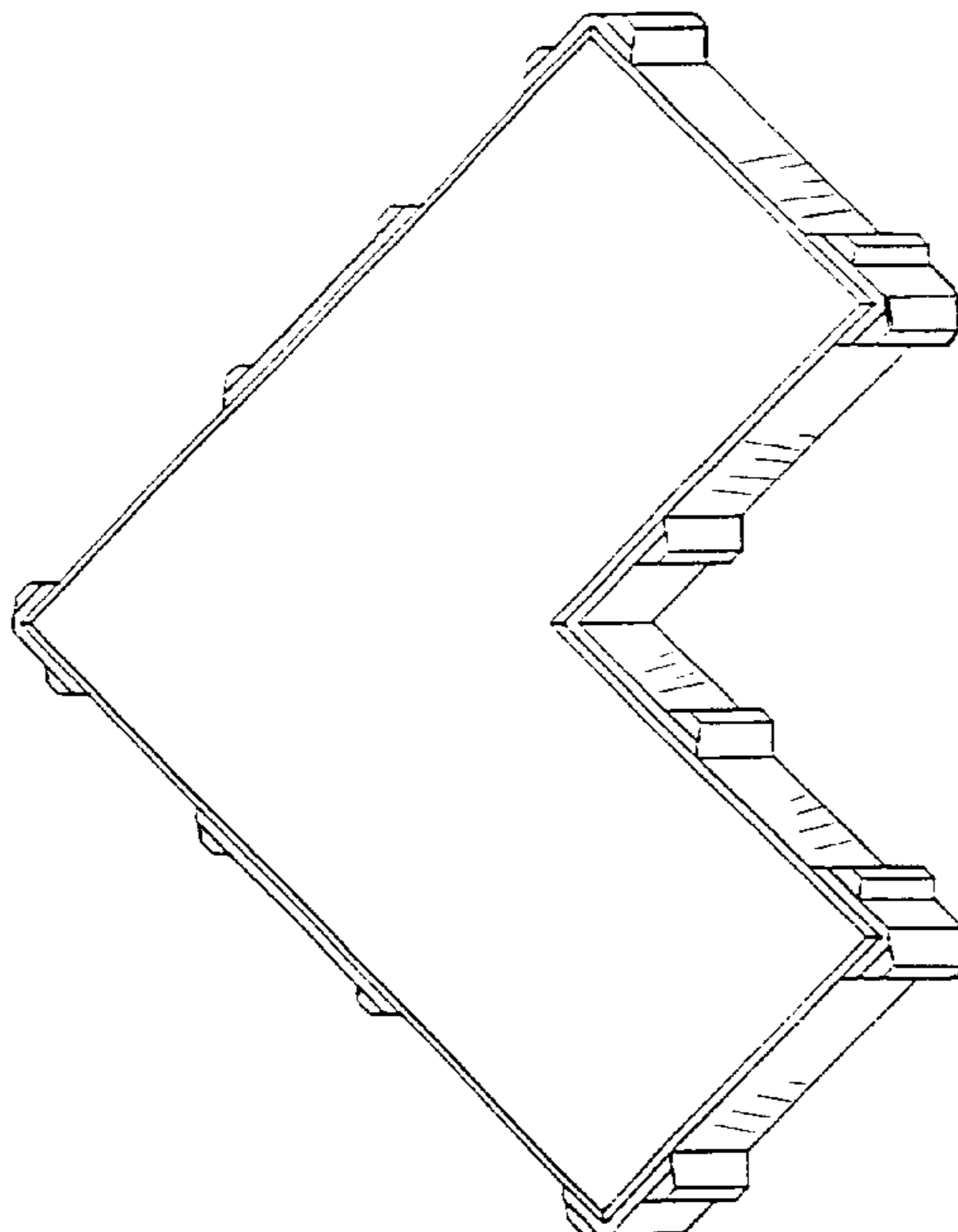
(57) **CLAIM**

The ornamental design for a paving element, as shown and described.

**DESCRIPTION**

FIG. 1 is a perspective view of a first variant of the design.  
 FIG. 2 is a perspective view of another variant of the design.  
 FIG. 3 is a perspective view of another variant of the design.  
 FIG. 4 is a perspective view of another variant of the design.  
 FIG. 5 is a perspective view of another variant of the design.  
 FIG. 6 is a perspective view of another variant of the design.  
 FIG. 7 is a perspective view of another variant of the design.  
 FIG. 8 is a perspective view of another variant of the design.  
 FIG. 9 is a perspective view of another variant of the design.  
 FIG. 10 is a perspective view of another variant of the design.  
 FIG. 11 is a perspective view of another variant of the design.  
 FIG. 12 is a perspective view of another variant of the design.  
 FIG. 13 is a perspective view of another variant of the design.  
 FIG. 14 is a perspective view of another variant of the design; and,  
 FIG. 15 is a perspective view of another variant of the design.

**1 Claim, 15 Drawing Sheets**



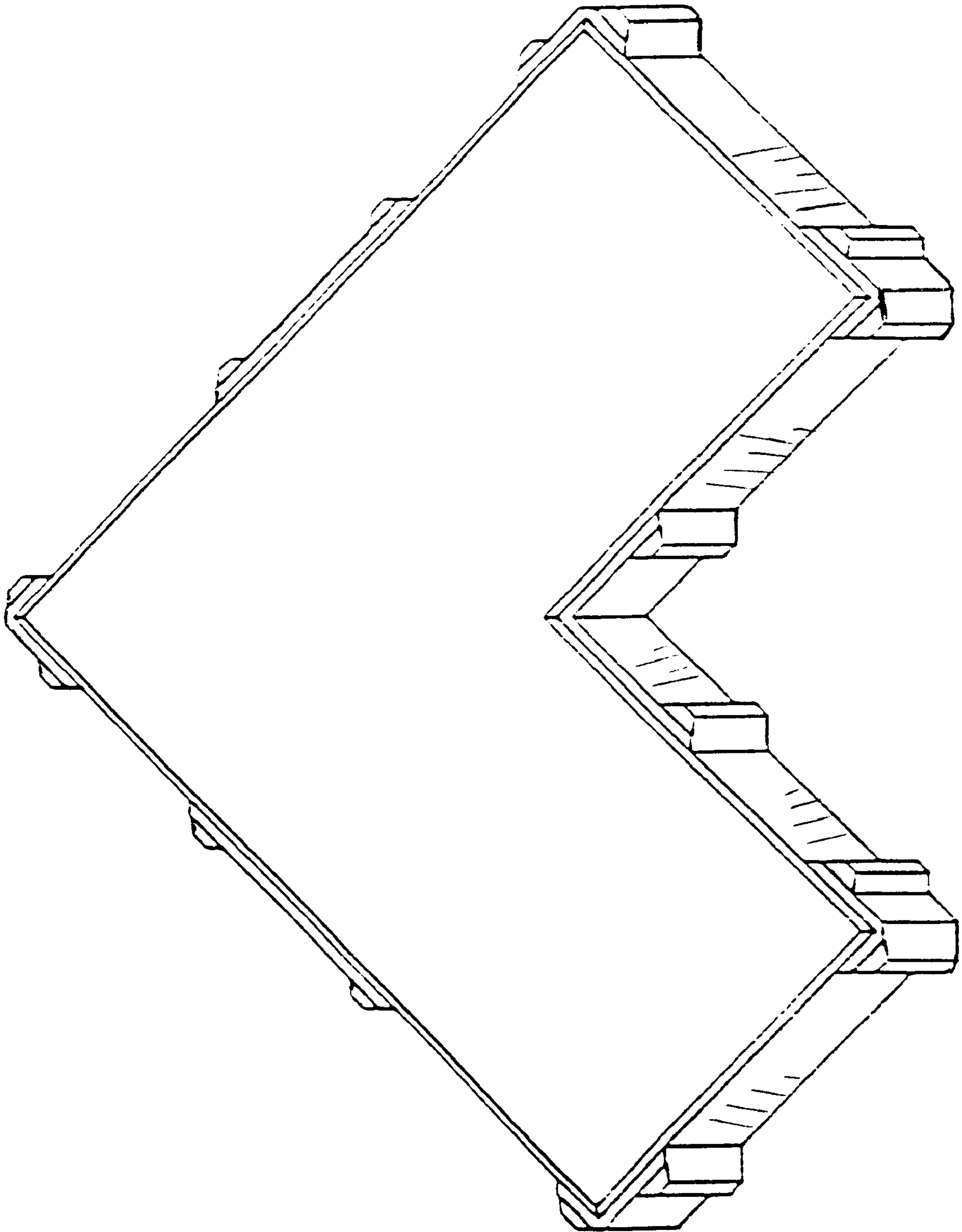


FIGURE 1

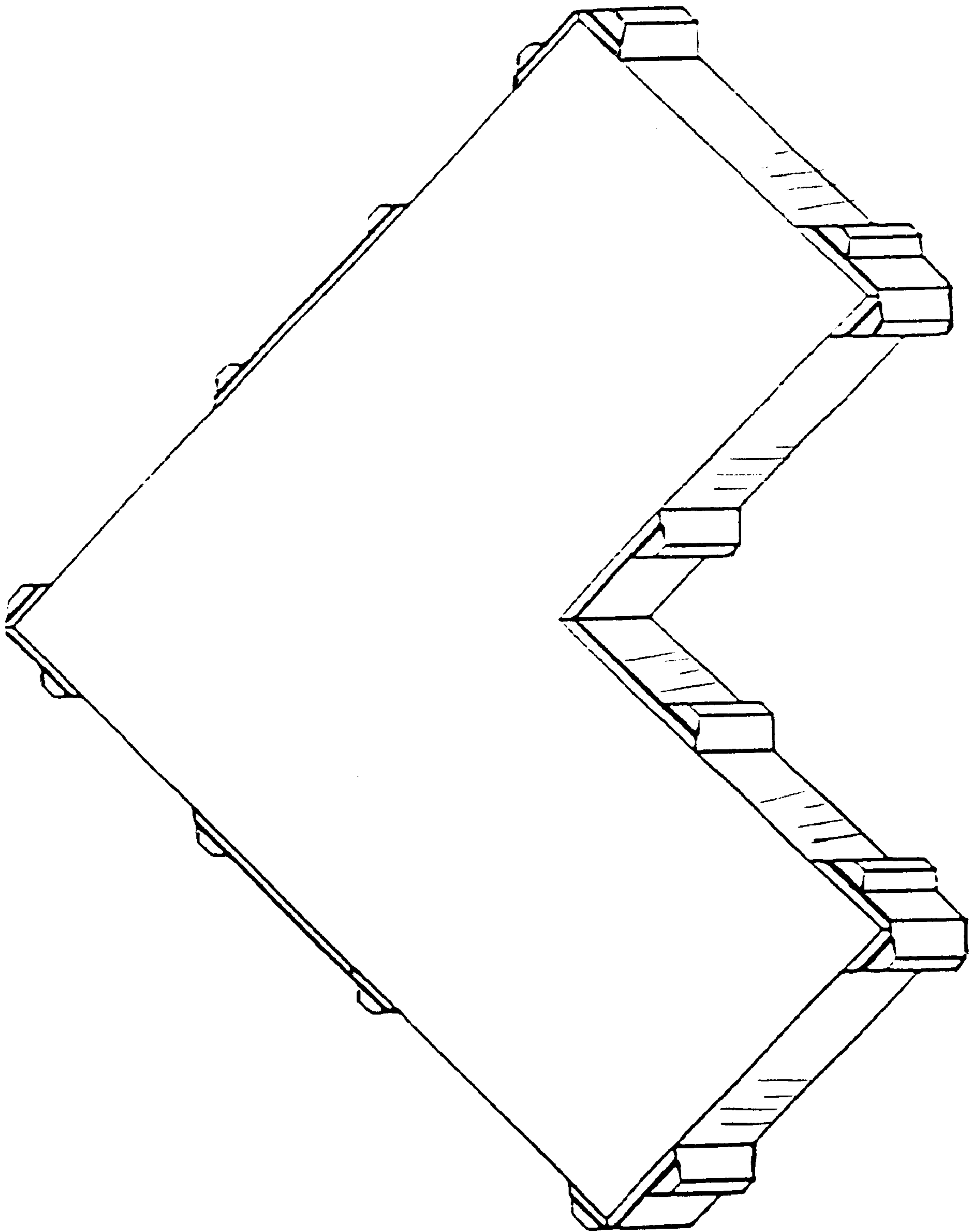


FIGURE 2

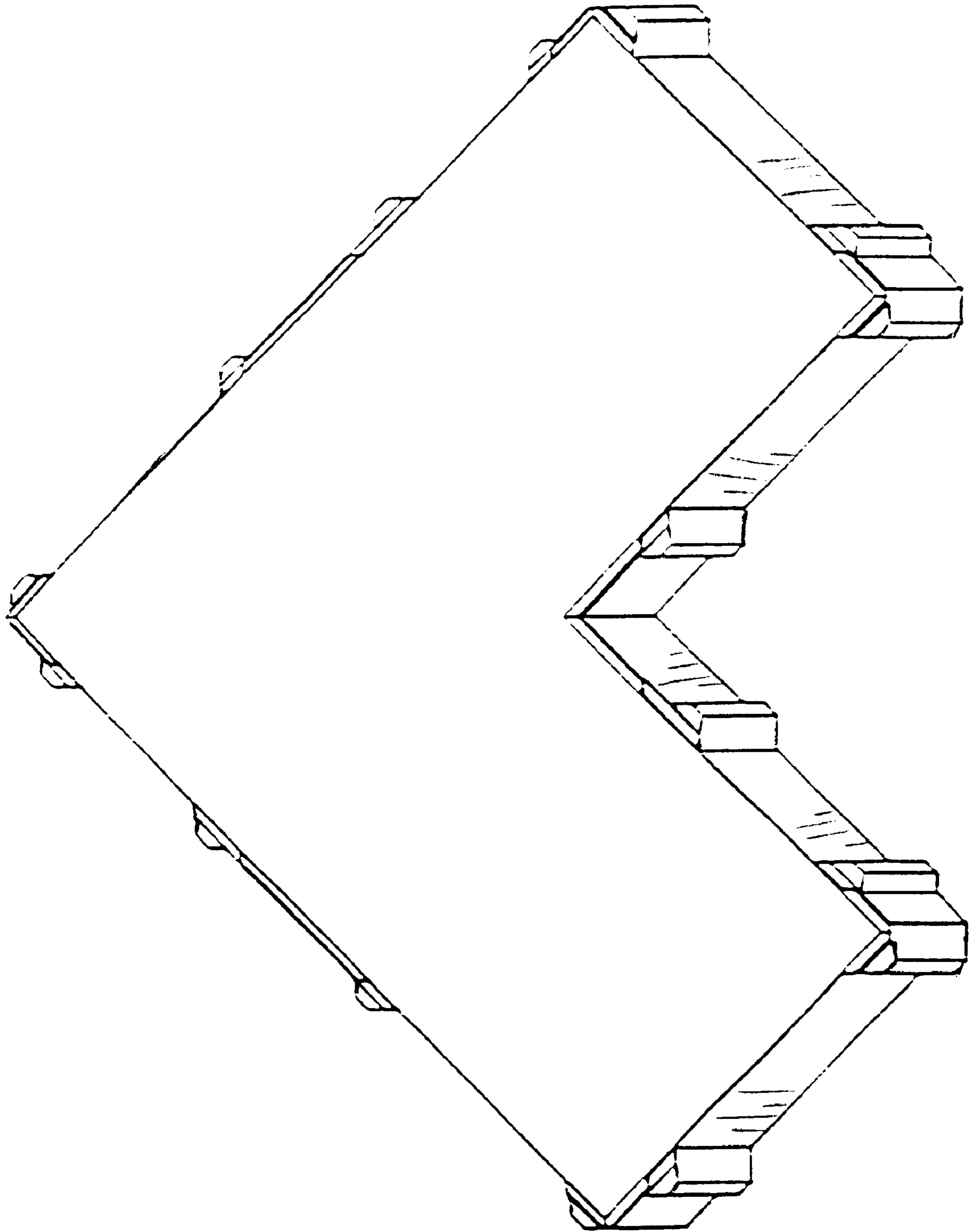


FIGURE 3

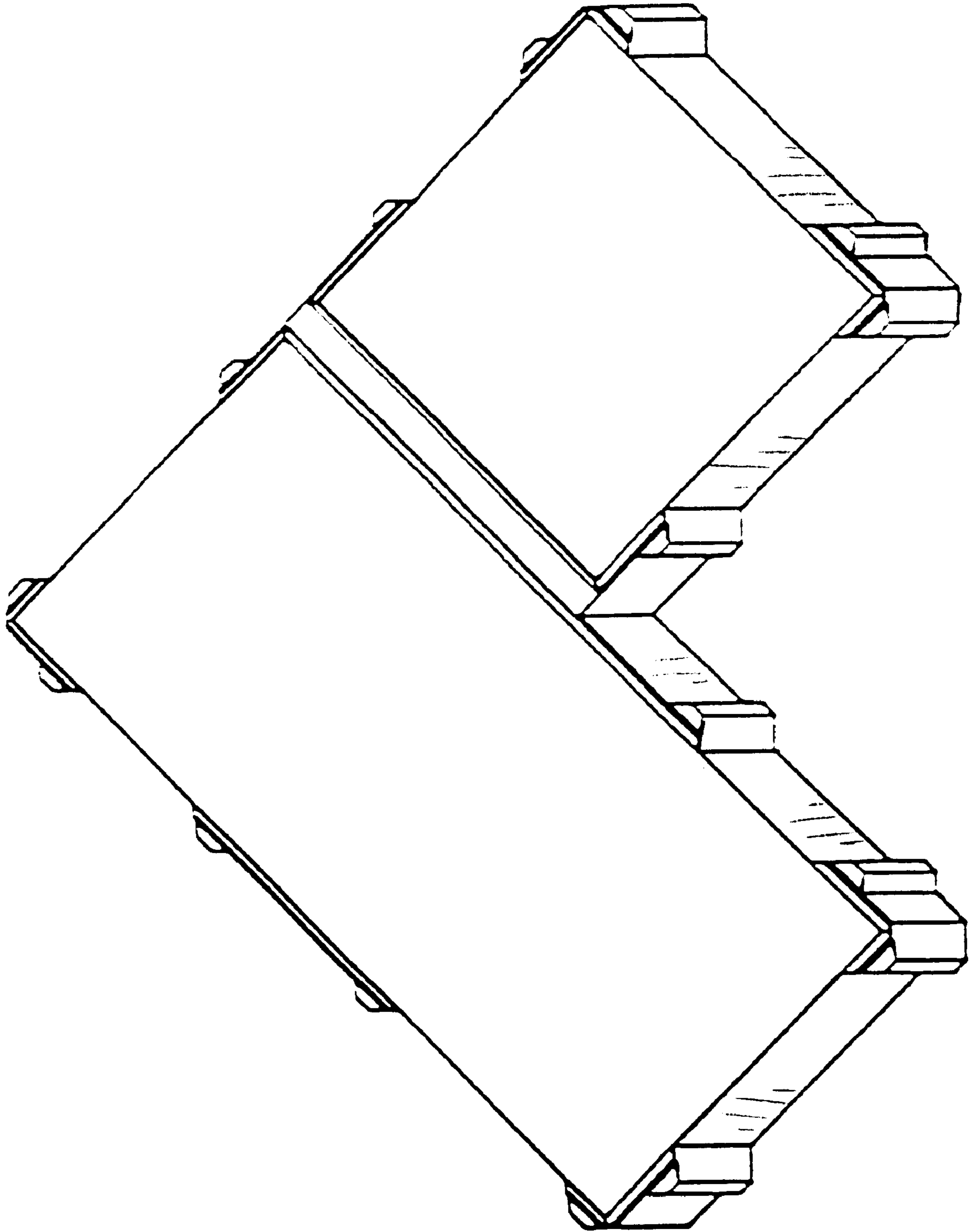


FIGURE 4

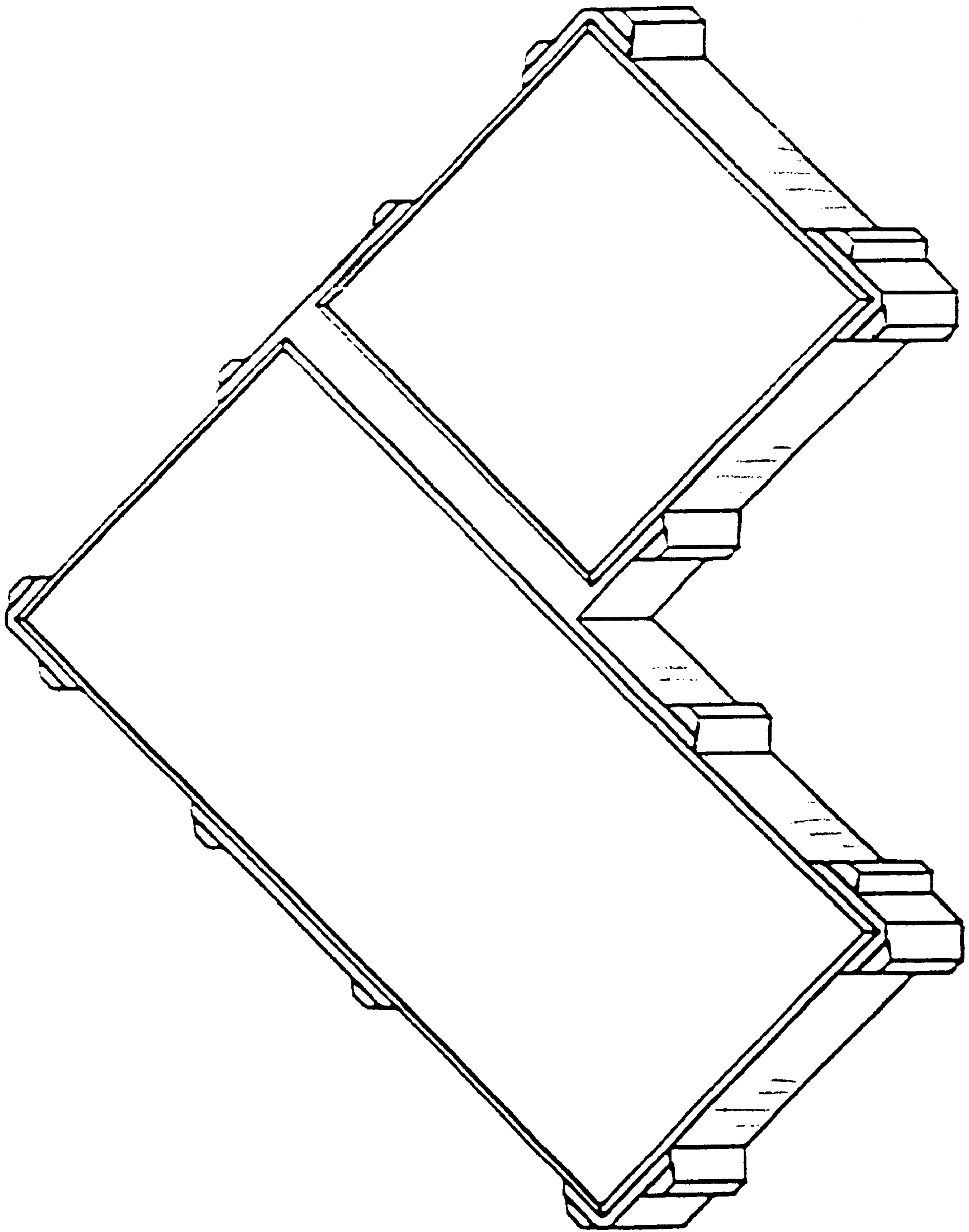


FIGURE 5

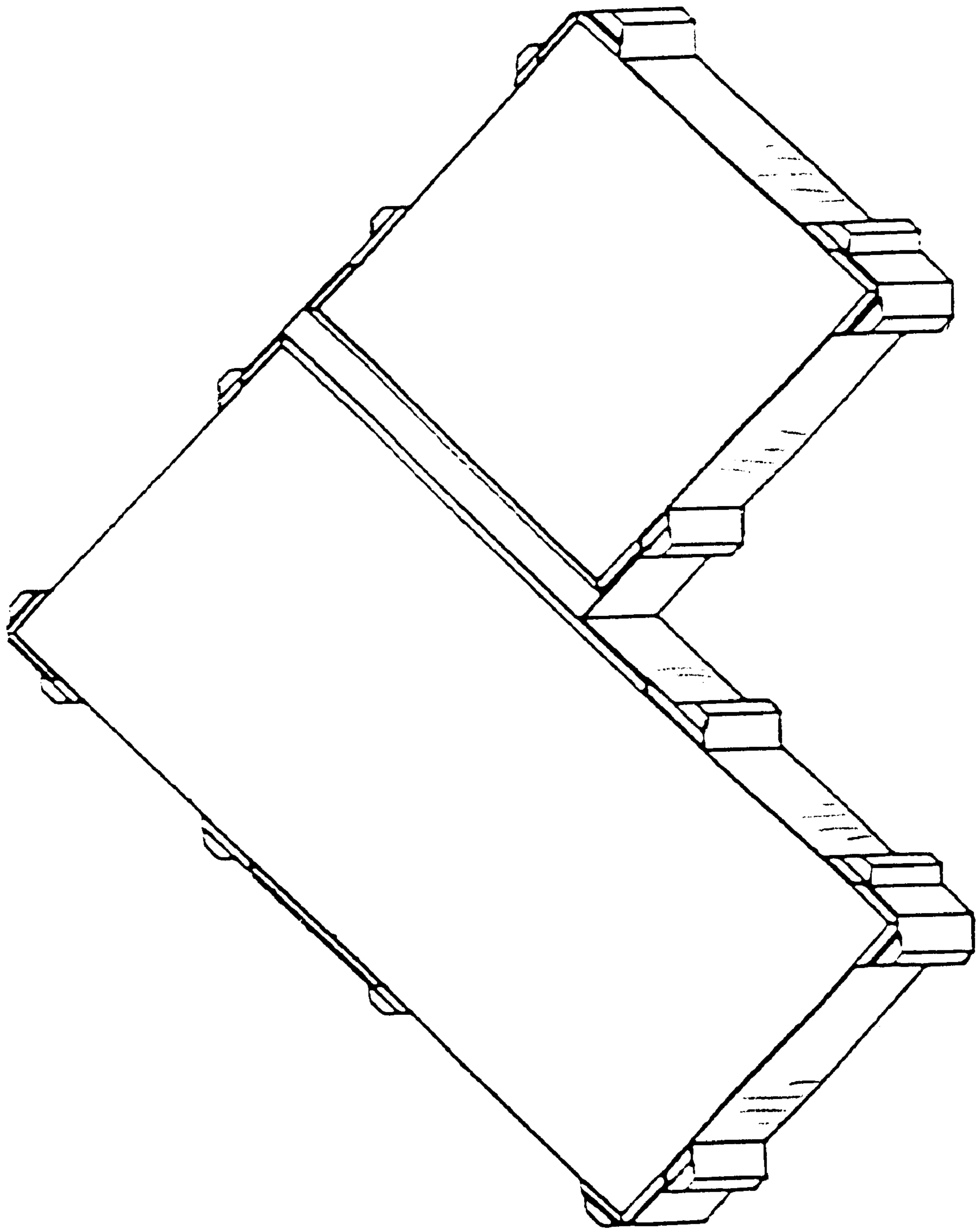


FIGURE 6

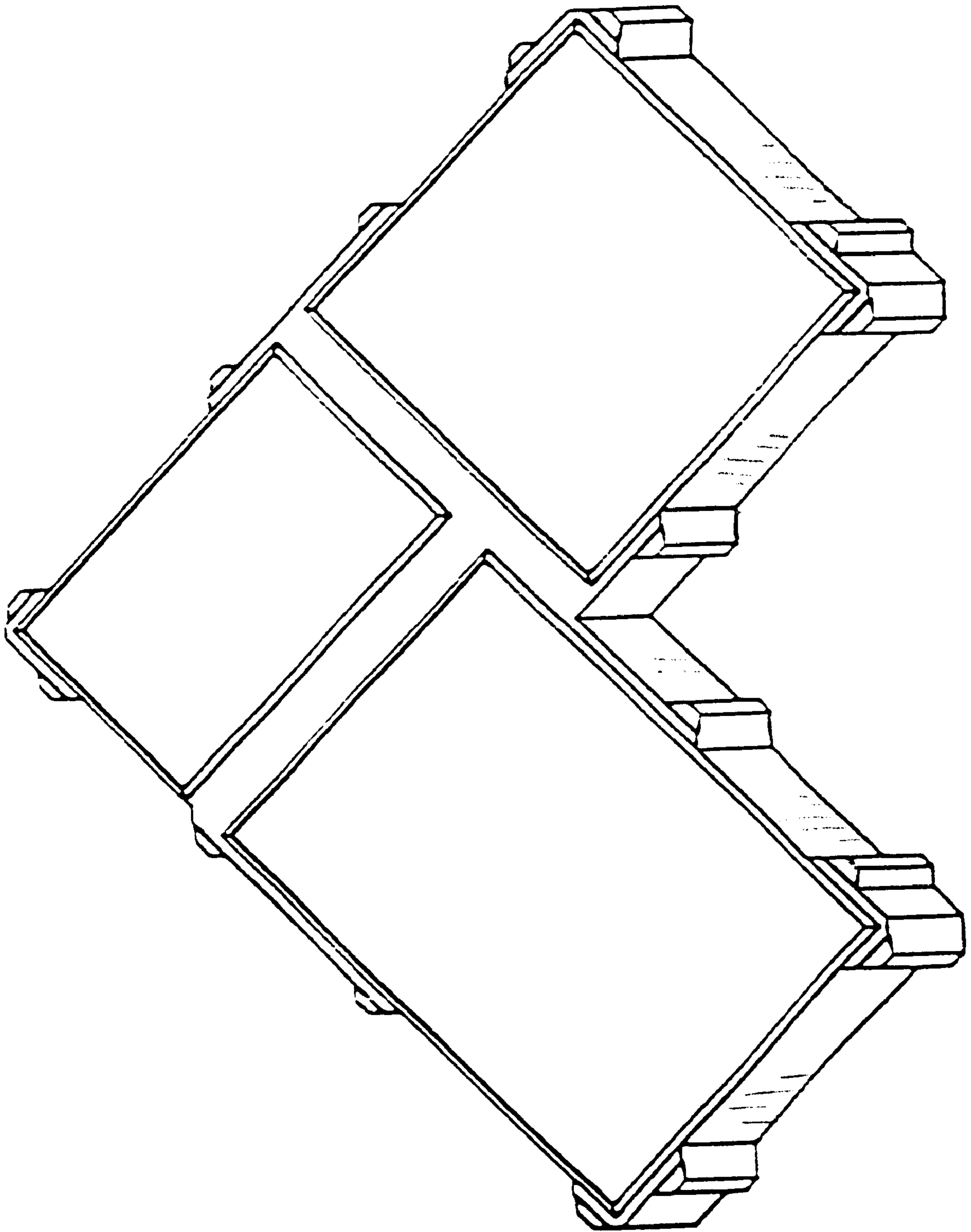


FIGURE 7



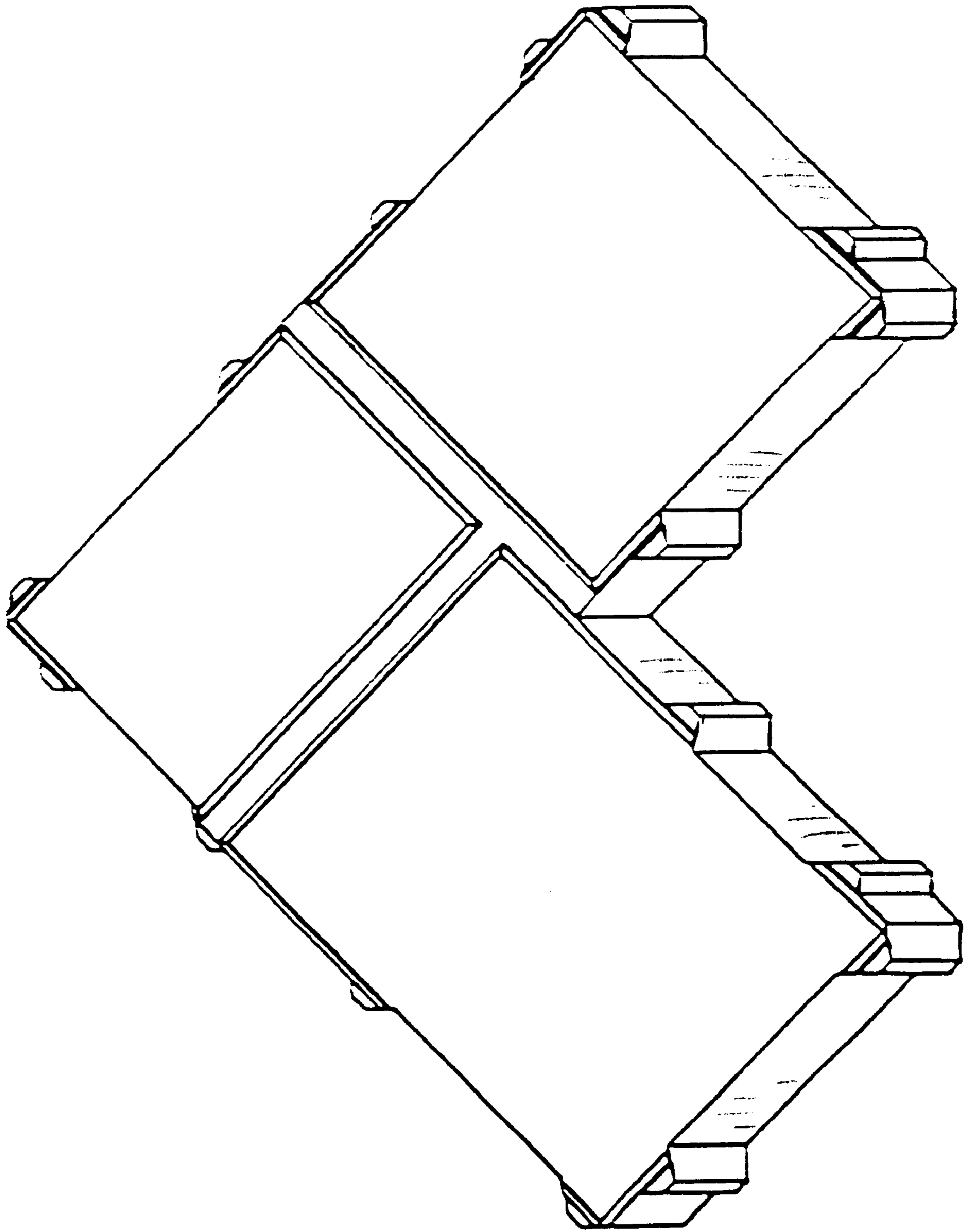


FIGURE 8

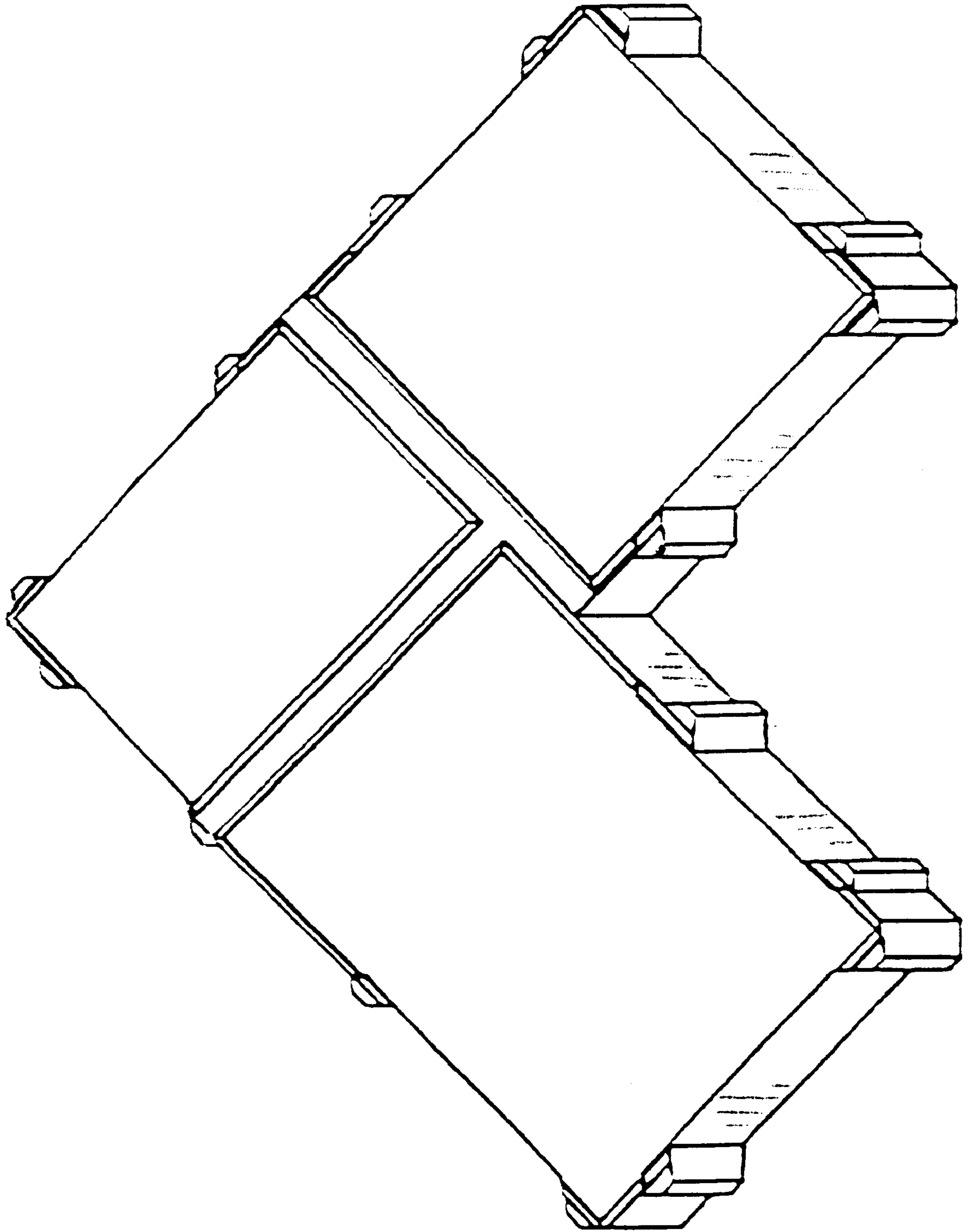


FIGURE 9

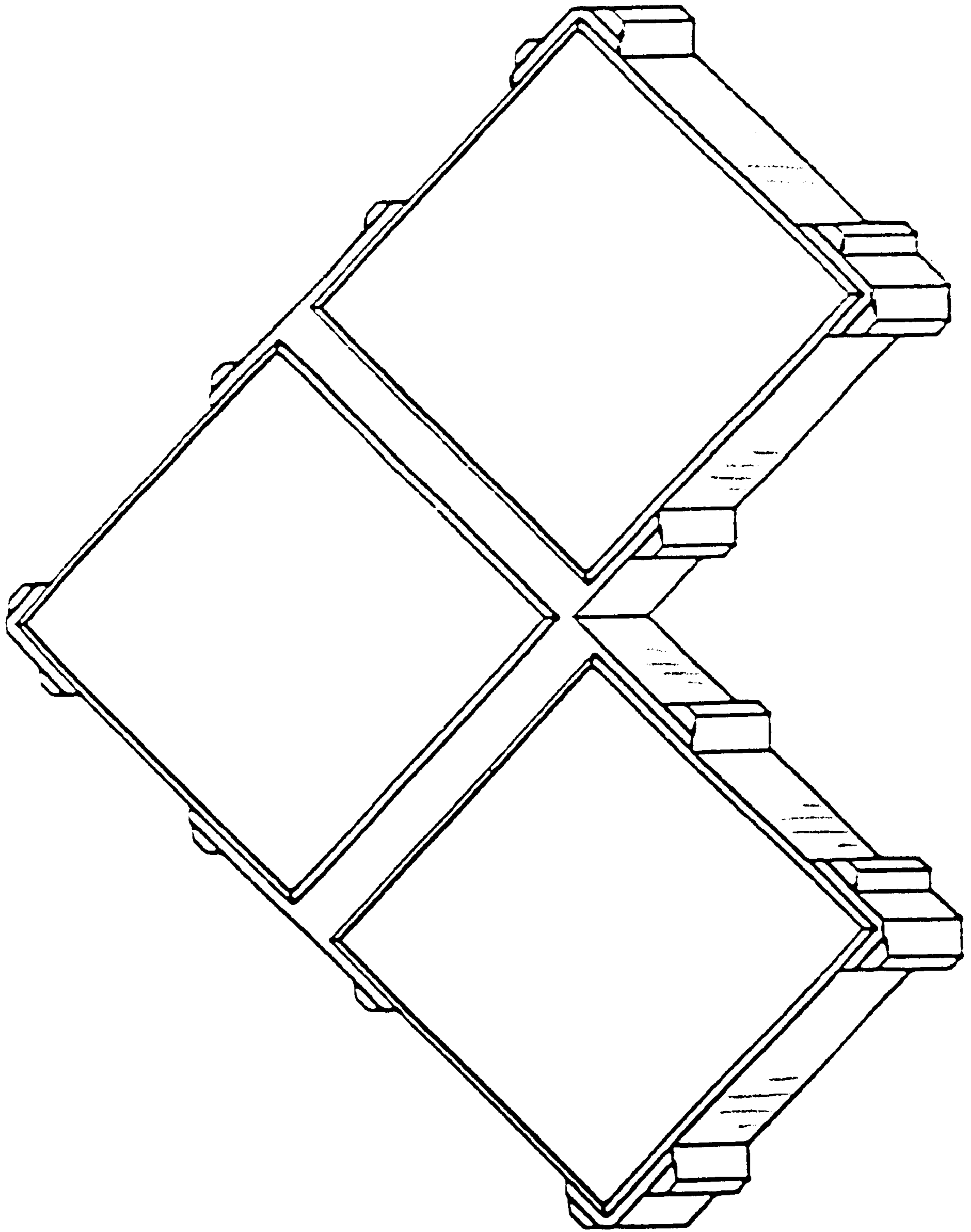


FIGURE 10

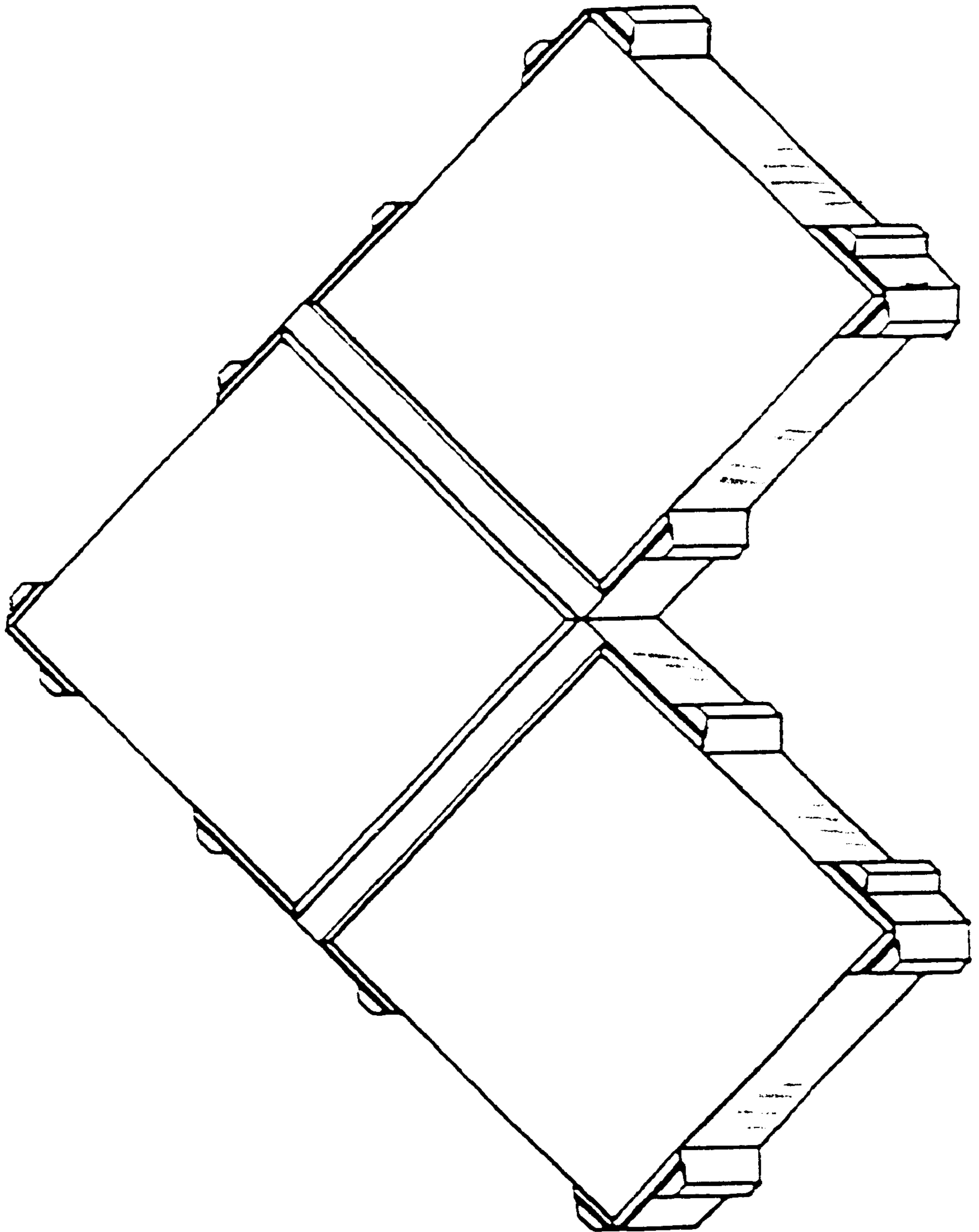


FIGURE 11

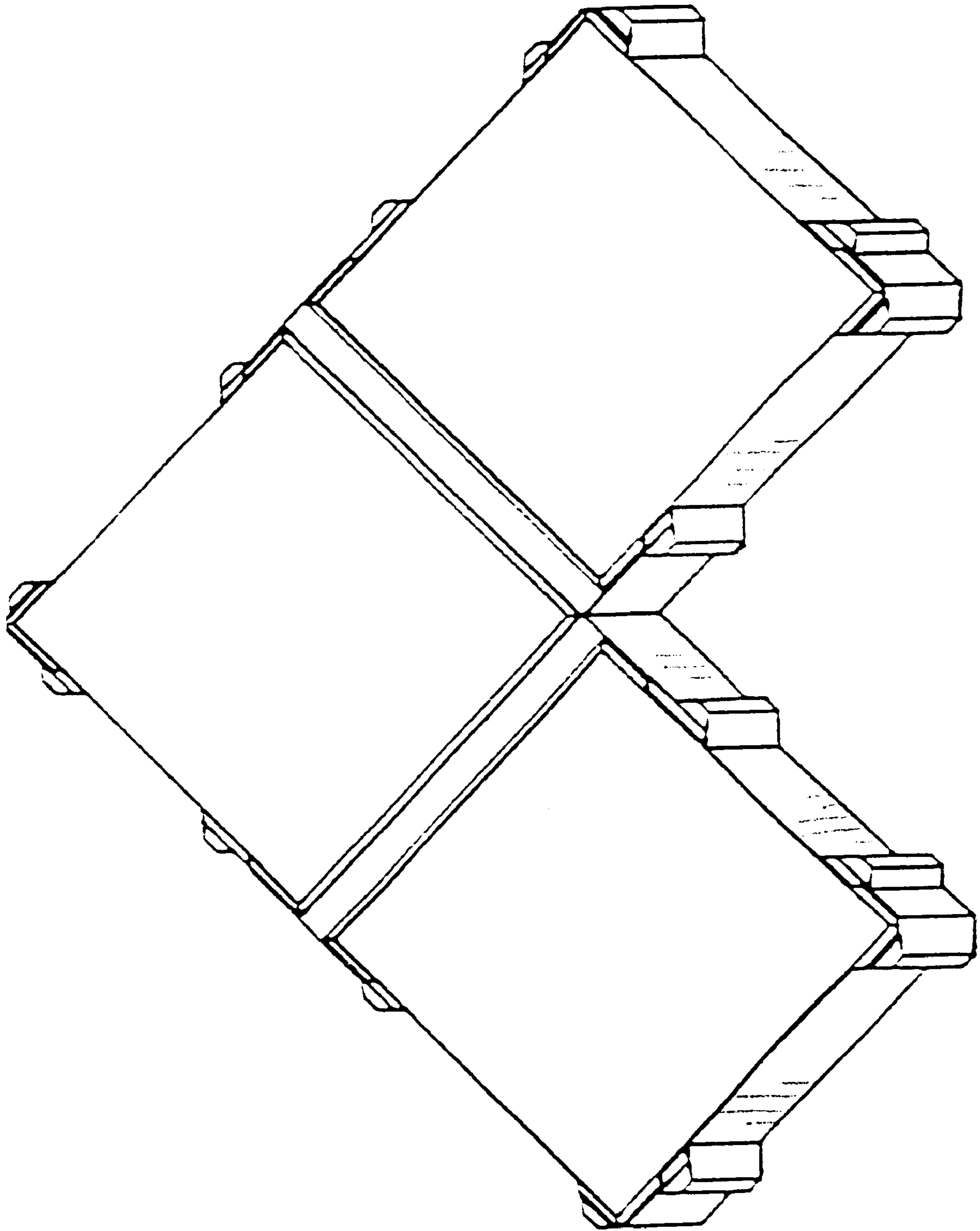


FIGURE 12

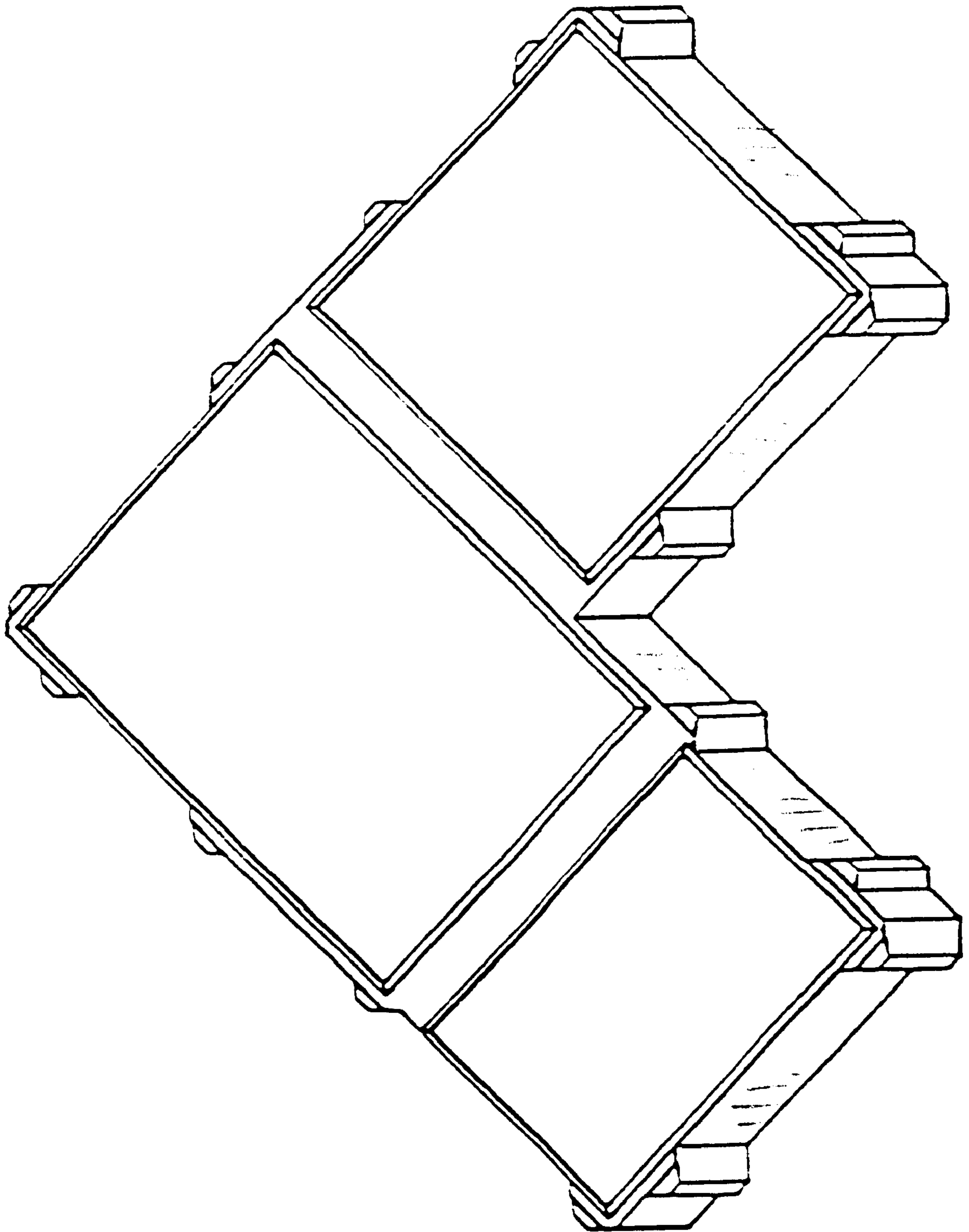


FIGURE 13

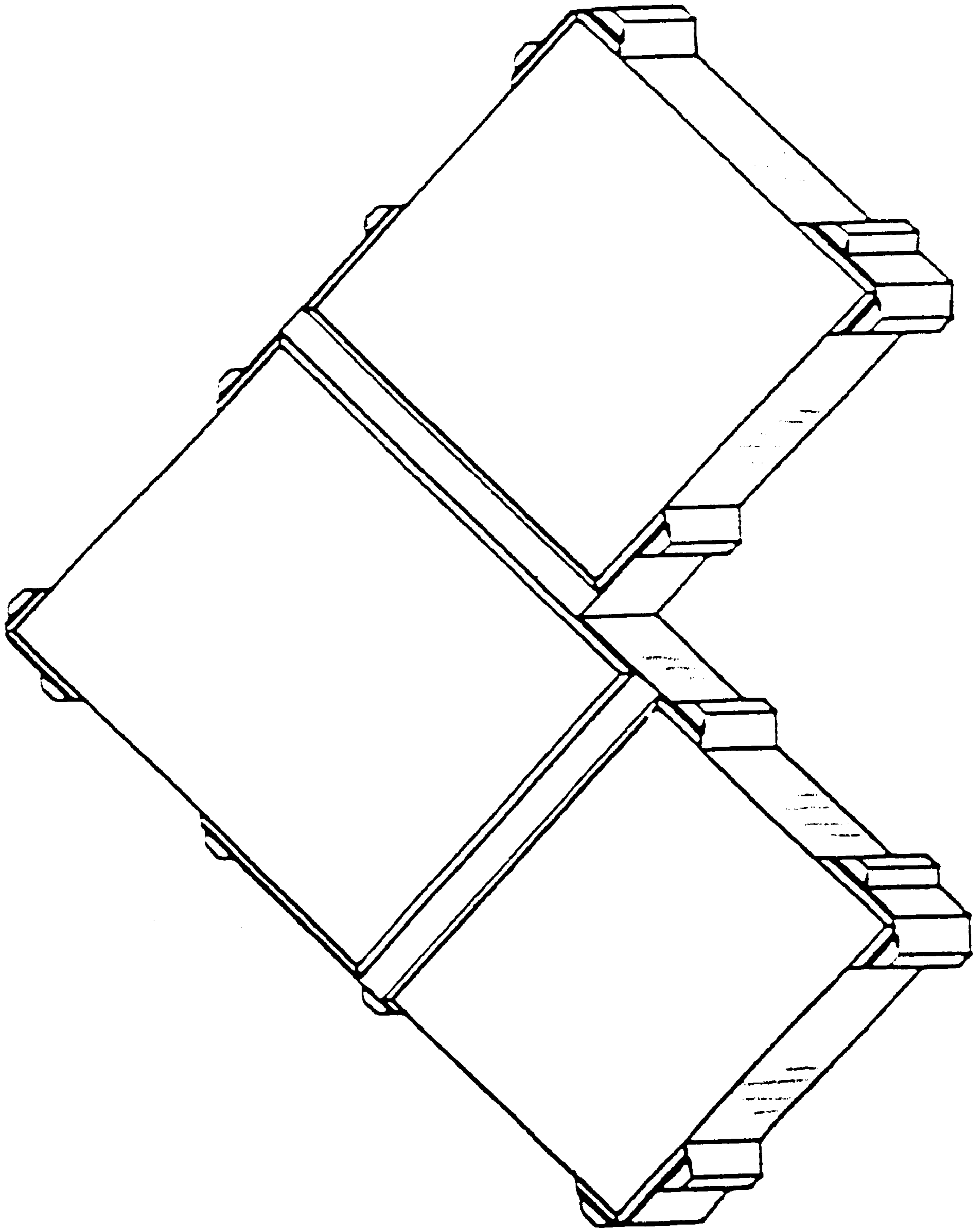


FIGURE 14

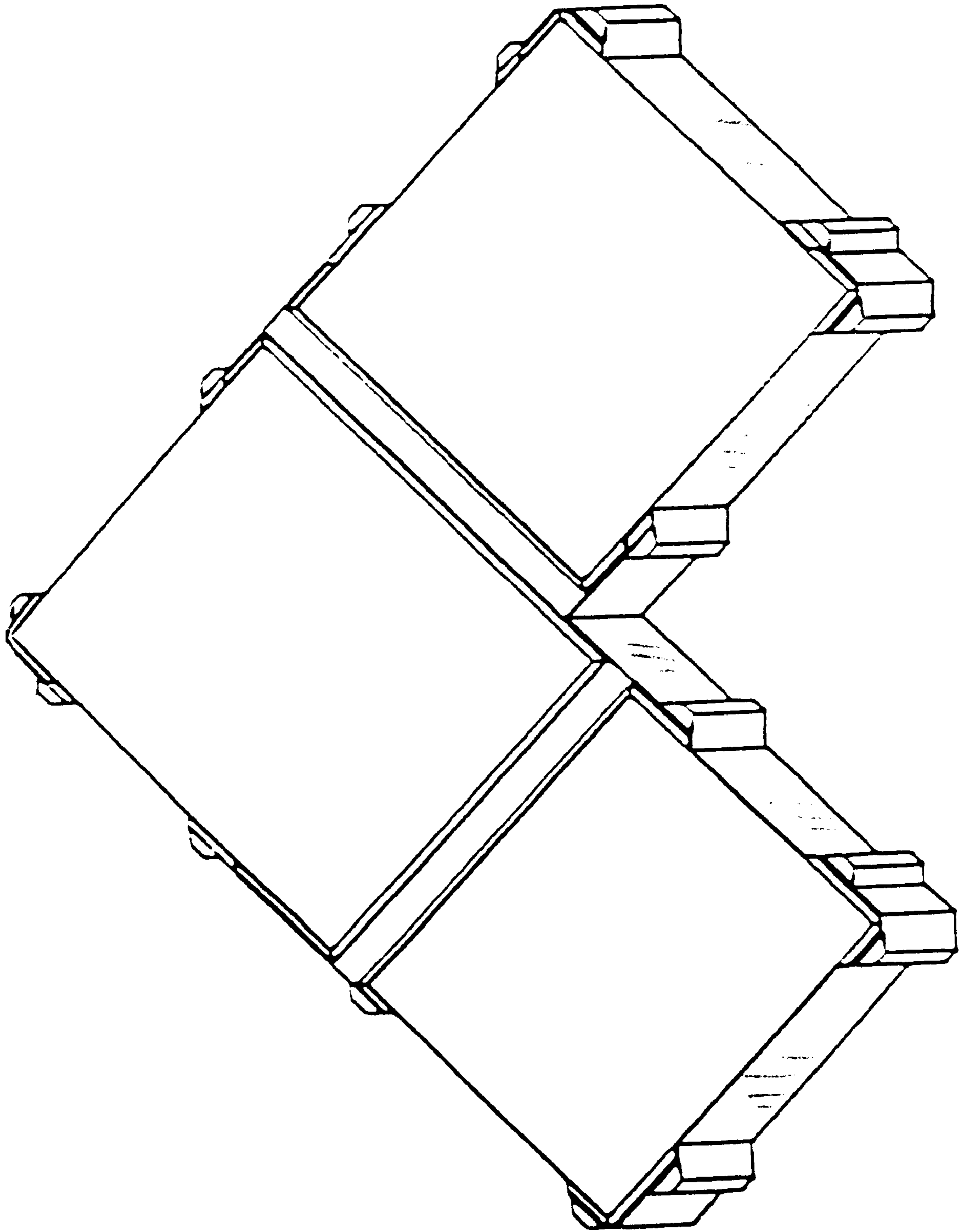


FIGURE 15