



US00D485369S

(12) **United States Design Patent**  
**Ranagan et al.**

(10) **Patent No.:** **US D485,369 S**  
(45) **Date of Patent:** **\*\* Jan. 13, 2004**

(54) **PAIR OF LEVELING LADDER LEG ATTACHMENTS**

*Primary Examiner*—Doris Clark  
(74) *Attorney, Agent, or Firm*—Goldstein & Lavas, P.C.

(76) Inventors: **Stephen Ranagan**, 264 Carroll Rd., Pasadena, MD (US) 21122; **Vanessa Ranagan**, 303 Heather La., Pasadena, MD (US) 21122

(57) **CLAIM**

The ornamental design for a pair of leveling ladder leg attachments, as shown and described.

(\*\*) Term: **14 Years**

**DESCRIPTION**

(21) Appl. No.: **29/180,710**

FIG. 1 is a perspective view of a pair of leveling ladder leg attachments.

(22) Filed: **Apr. 28, 2003**

FIG. 2 is a front elevational view thereof.

(51) **LOC (7) Cl.** ..... **25-04**

FIG. 3 is a rear elevational view thereof.

(52) **U.S. Cl.** ..... **D25/68**

FIG. 4 is a right side elevational view thereof.

(58) **Field of Search** ..... D25/68; 182/107, 182/108, 204

FIG. 5 is a left side elevational view thereof.

FIG. 6 is a top plan view of the pair of leveling ladder leg attachments.

(56) **References Cited**

FIG. 7 is a bottom plan view thereof; and,

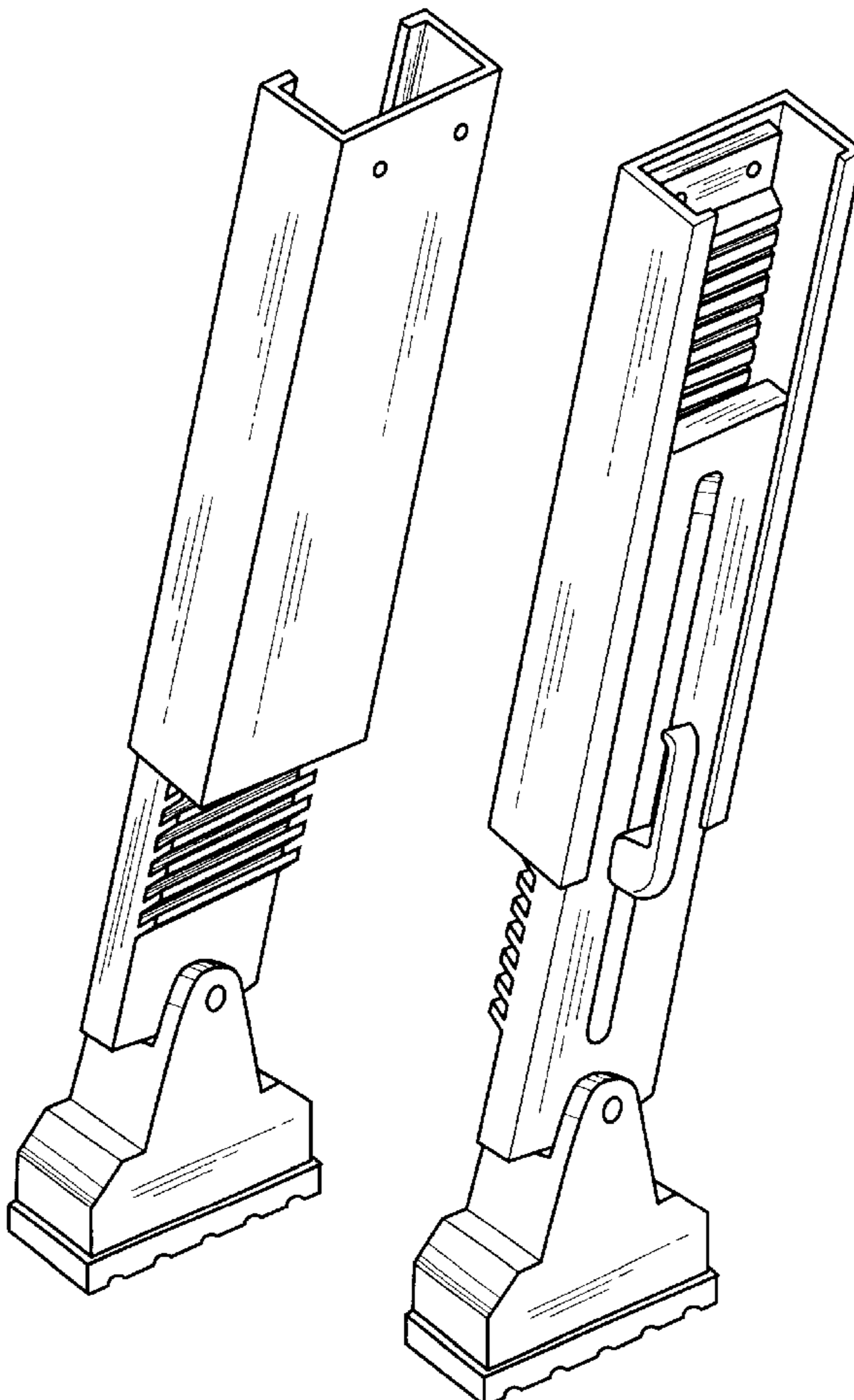
**U.S. PATENT DOCUMENTS**

FIG. 8 is an alternate perspective view of the pair of leveling ladder leg attachments in full lines with a ladder shown in broken lines representing environmental association matter being for illustrative purposes only and forming no part of the claimed invention.

4,423,797 A	1/1984	Batten	.....	182/204
D380,277 S *	6/1997	Bonn et al.	.....	D25/68
5,853,065 A	12/1998	Hutson et al.	.....	182/18
6,234,273 B1	5/2001	Moore	.....	182/204

\* cited by examiner

**1 Claim, 5 Drawing Sheets**



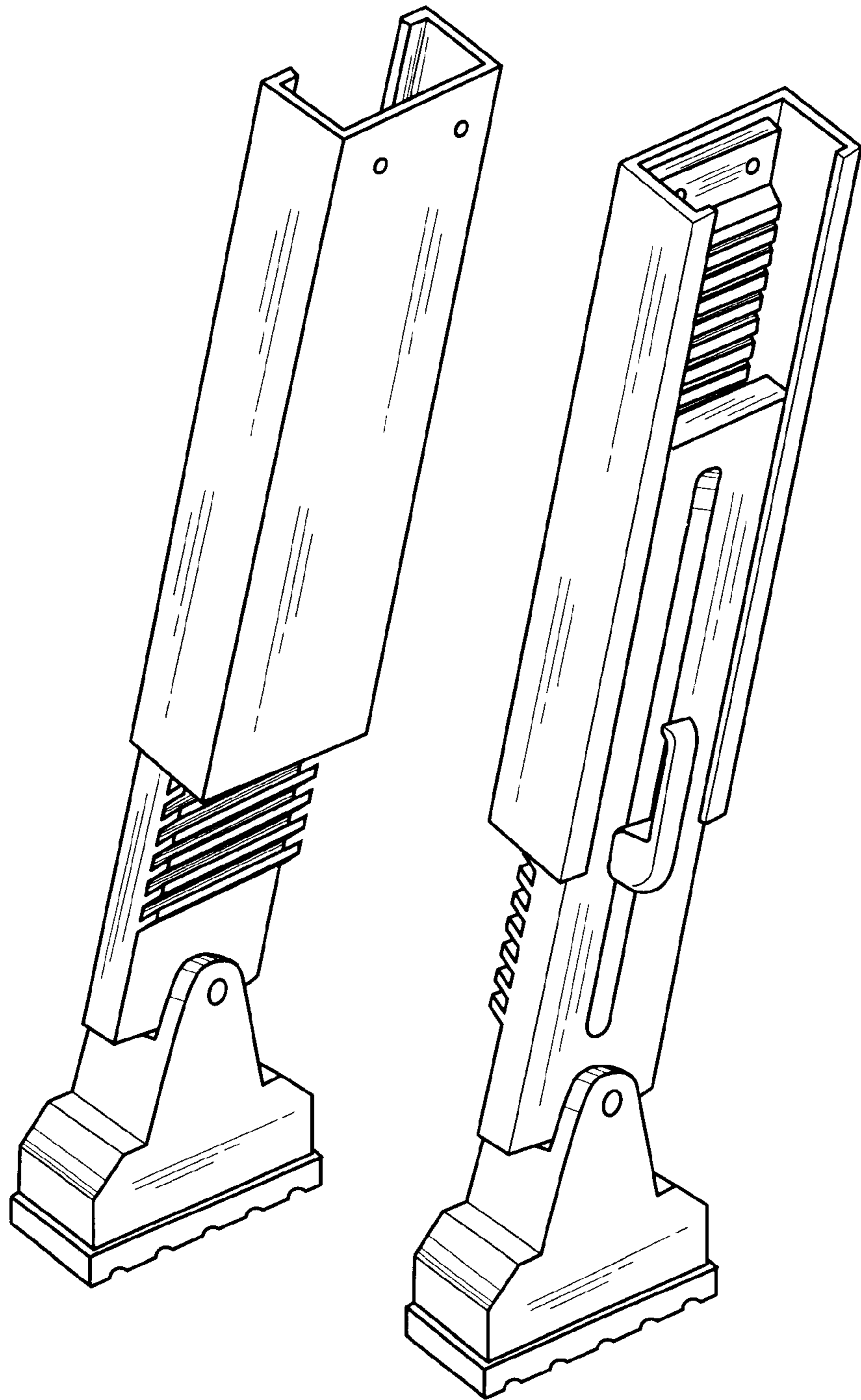


FIG. 1

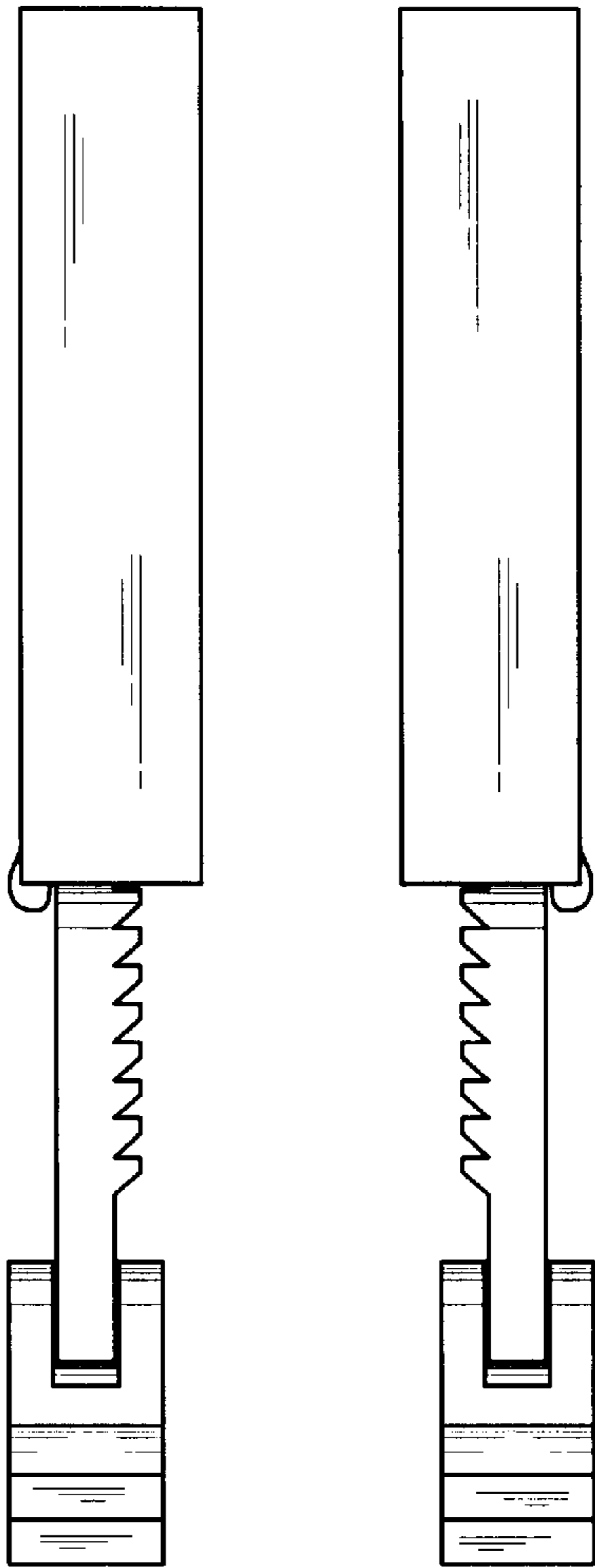


FIG. 2

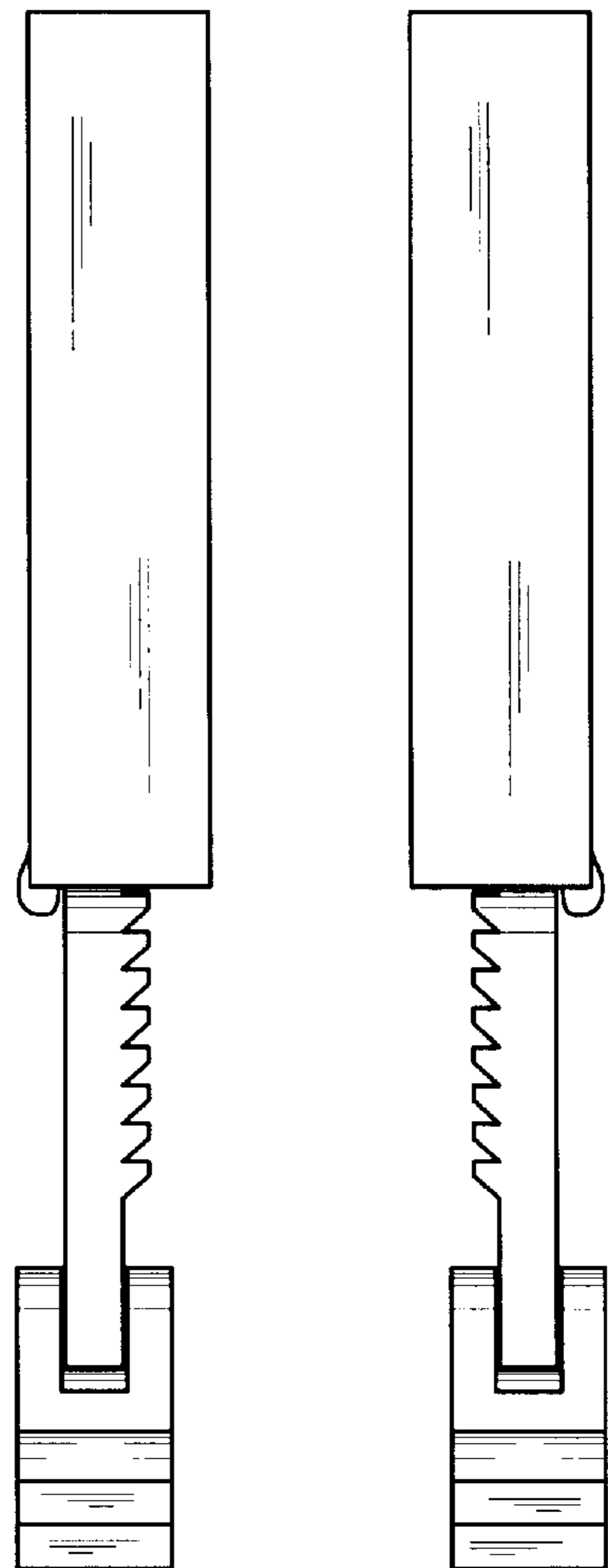


FIG. 3

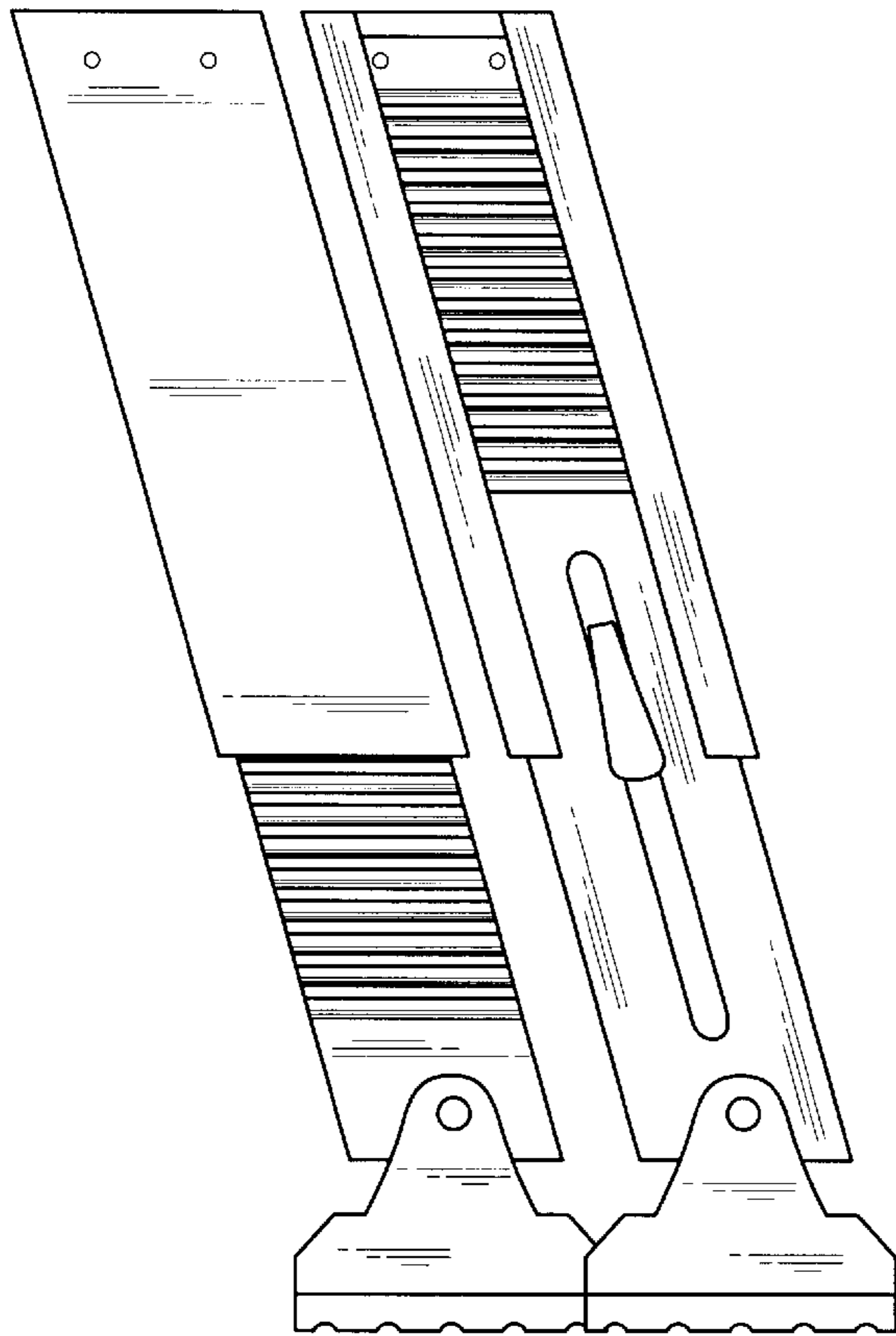


FIG. 4

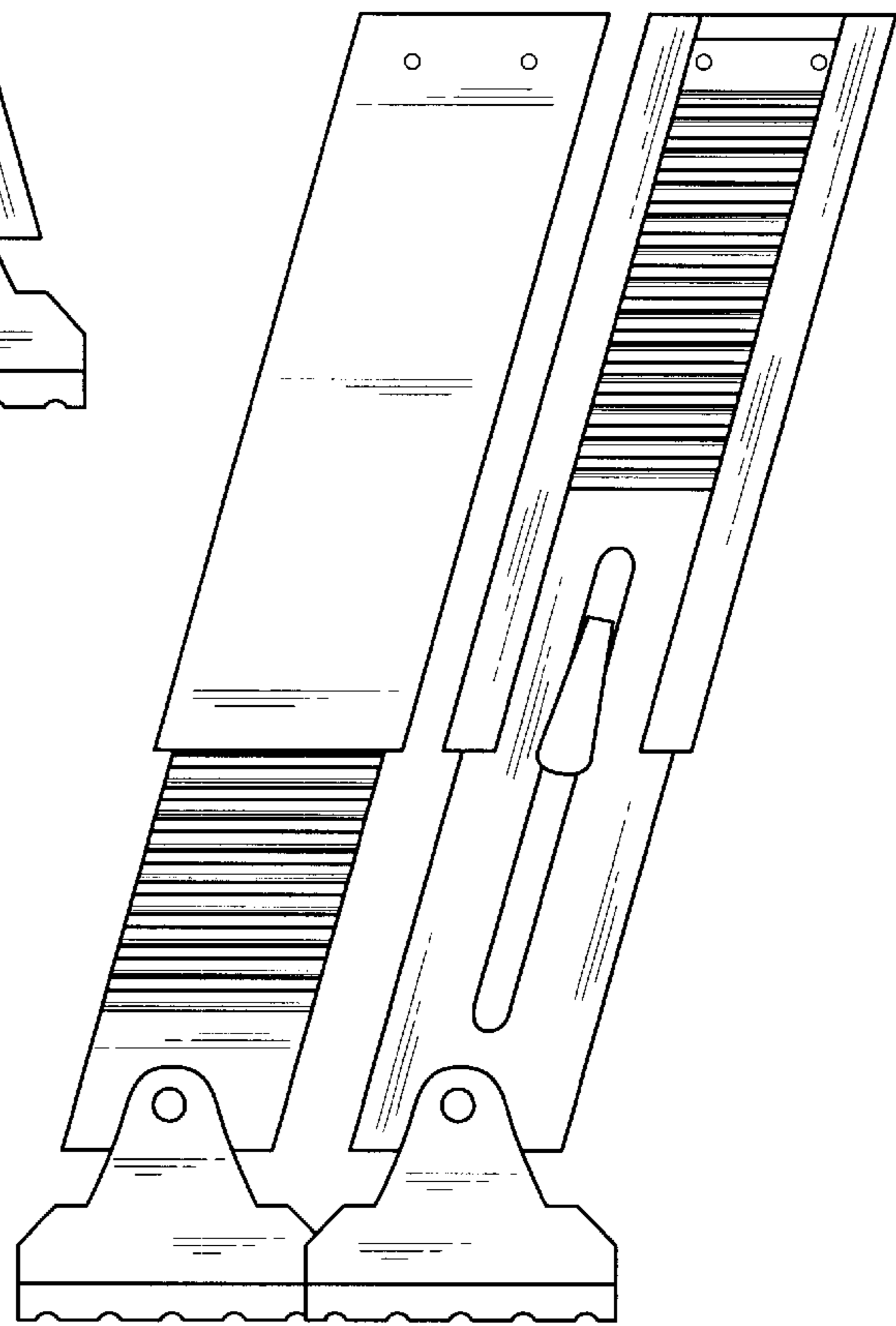


FIG. 5

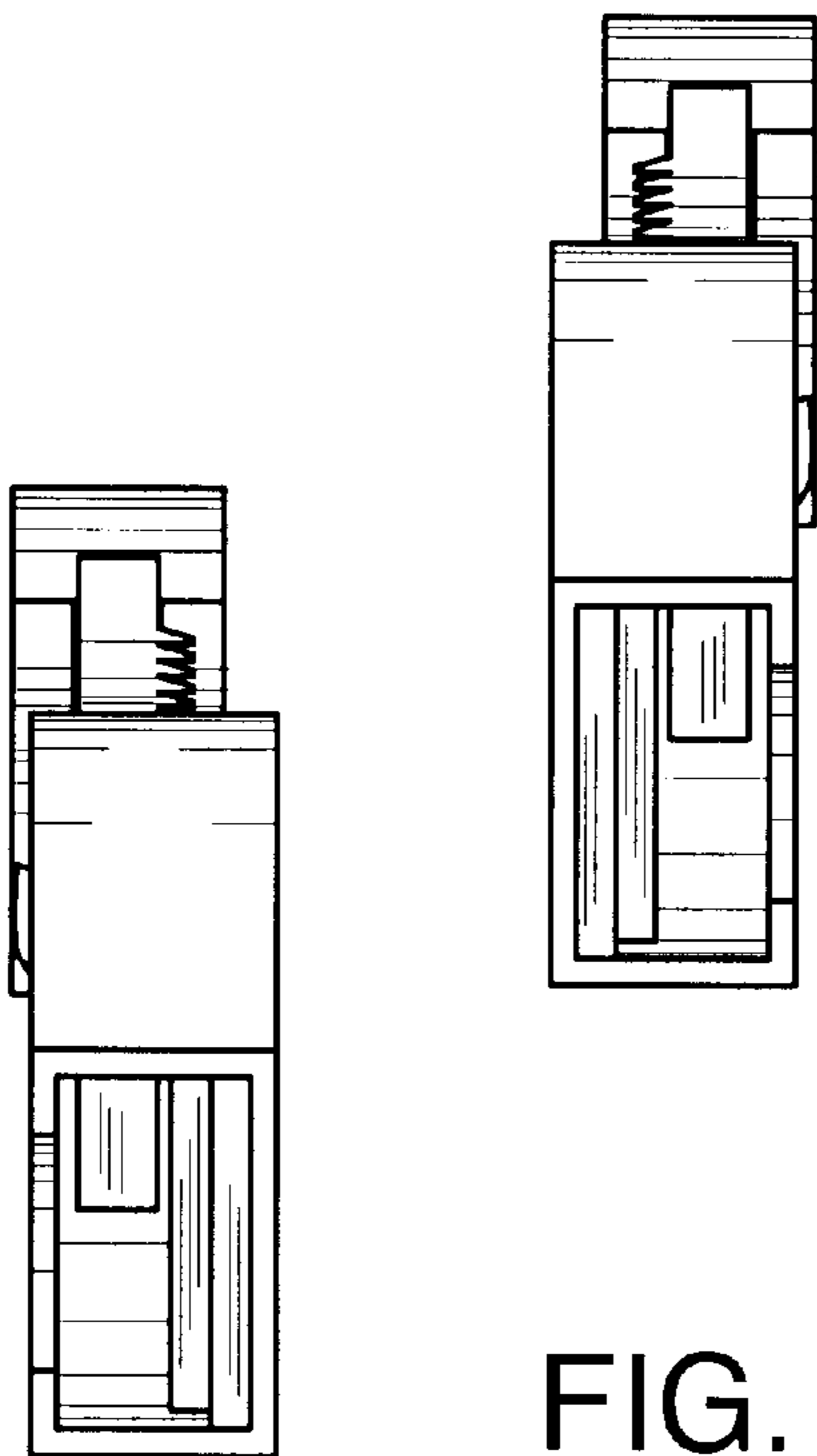


FIG. 6

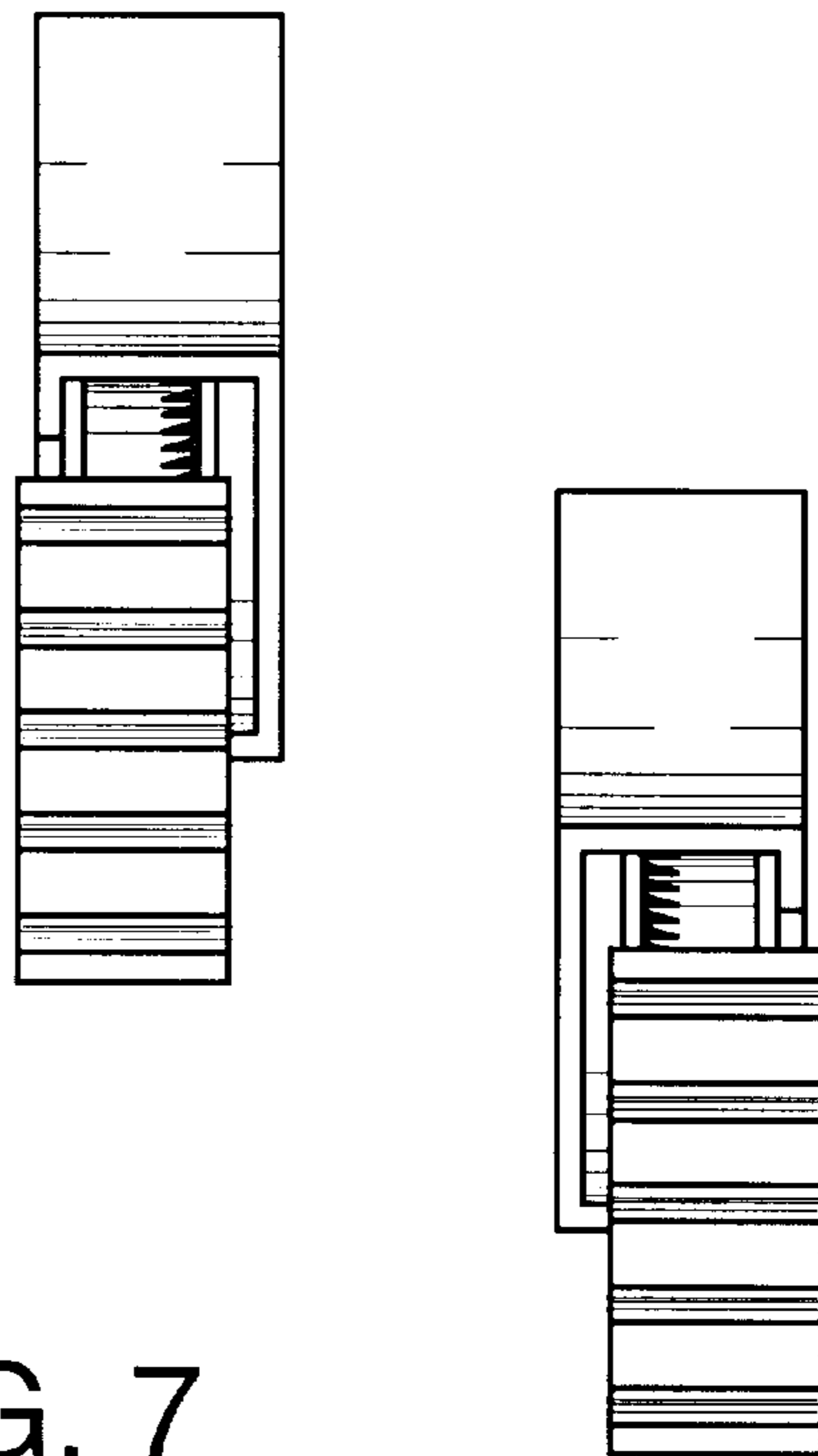


FIG. 7

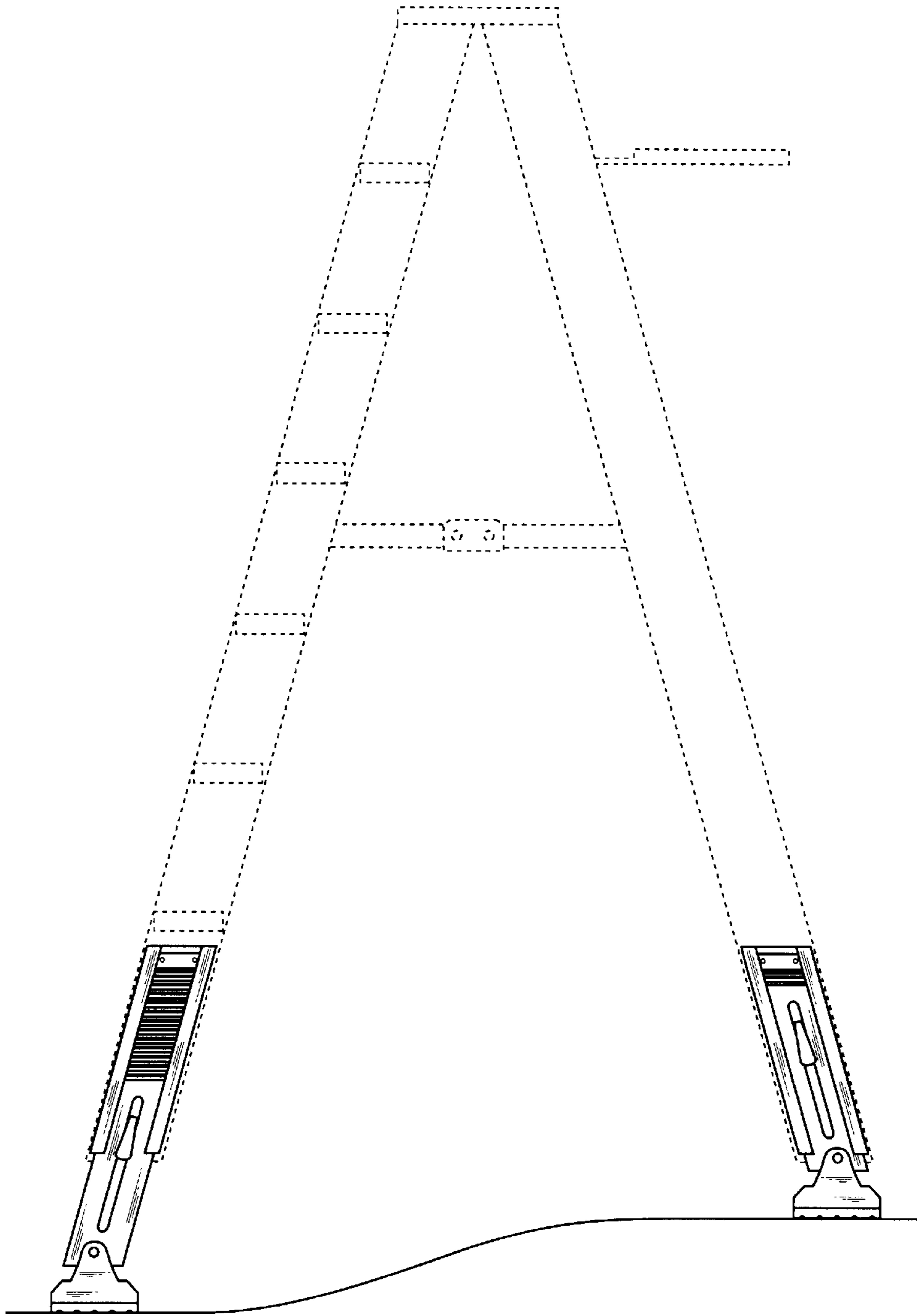


FIG. 8