



US00D485368S

(12) **United States Design Patent**  
**Hayashi**

(10) **Patent No.:** **US D485,368 S**

(45) **Date of Patent:** **\*\* Jan. 13, 2004**

(54) **PARTITION**

(75) Inventor: **Katsuaki Hayashi**, Osaka (JP)

(73) Assignee: **Kokuyo Co., Ltd.**, Osaka (JP)

(\*\*) Term: **14 Years**

(21) Appl. No.: **29/176,882**

(22) Filed: **Mar. 3, 2003**

(51) **LOC (7) Cl.** ..... **25-02**

(52) **U.S. Cl.** ..... **D25/58**

(58) **Field of Search** ..... D25/58; 52/238.1,  
52/239, 243; 160/19, 20, 21, 38, 351

(56) **References Cited**

**U.S. PATENT DOCUMENTS**

|              |   |         |                 |       |        |
|--------------|---|---------|-----------------|-------|--------|
| D340,533 S   | * | 10/1993 | Beaulieu et al. | ..... | D25/58 |
| 6,216,397 B1 | * | 4/2001  | Chang           | ..... | 52/239 |
| 6,415,567 B1 | * | 7/2002  | Mead et al.     | ..... | 52/239 |

\* cited by examiner

*Primary Examiner*—Doris Clark  
(74) *Attorney, Agent, or Firm*—Banner & Witcoff Ltd.

(57) **CLAIM**

The ornamental design for partition, as shown and described.

**DESCRIPTION**

FIG. 1 is a front elevational view of the partition showing my new design;  
FIG. 2 is a rear elevational view thereof;  
FIG. 3 is a top plan view thereof;  
FIG. 4 is a bottom plan view thereof;  
FIG. 5 is a right side elevational view thereof;  
FIG. 6 is a left side elevational view thereof;  
FIG. 7 is a front perspective view thereof;  
FIG. 8 is an enlarged end sectional view thereof taken along line 8—8 of FIG. 1; and,  
FIG. 9 is an enlarged end sectional thereof taken along line 9—9 of FIG. 1.

**1 Claim, 9 Drawing Sheets**

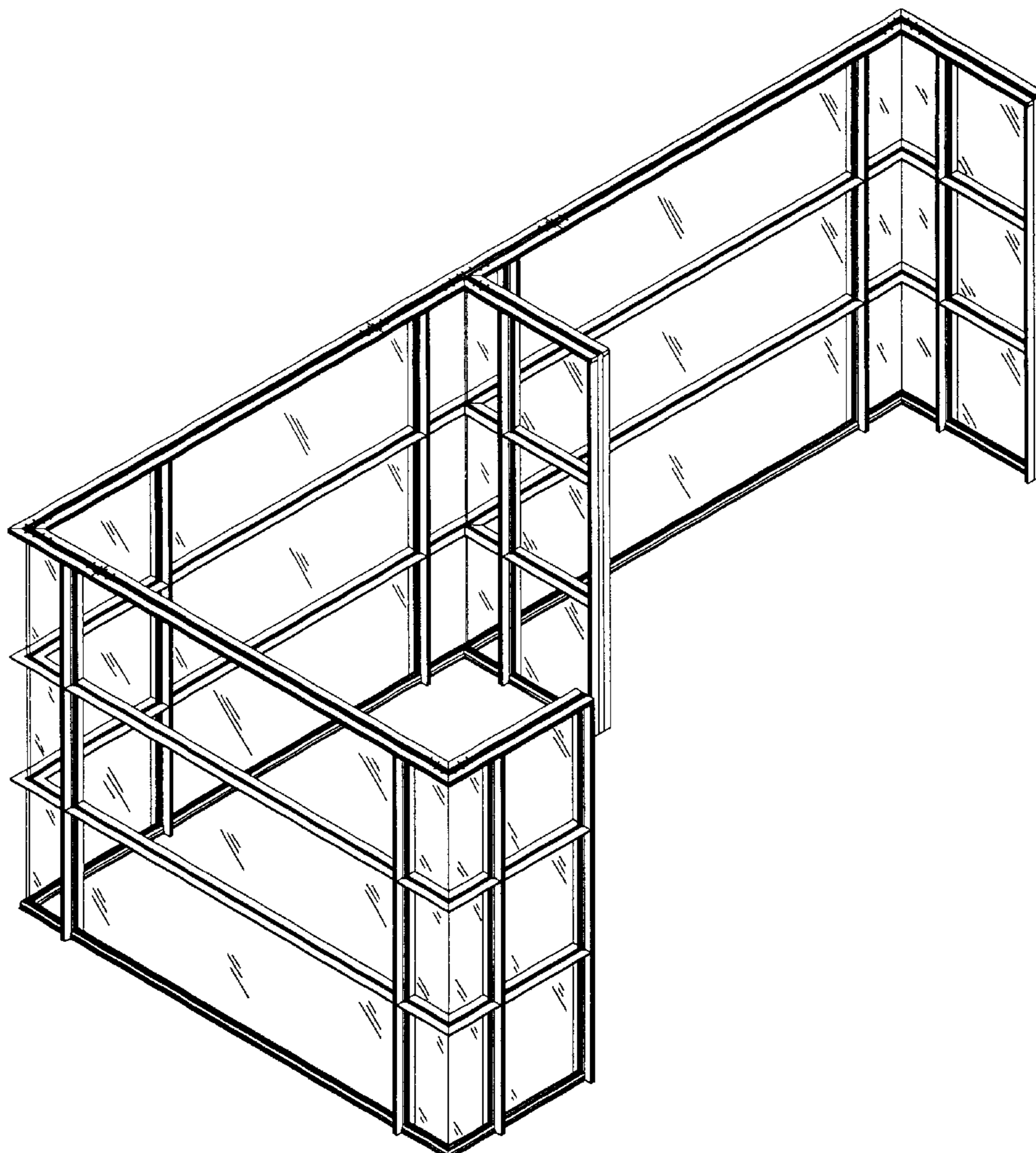


FIG. 1

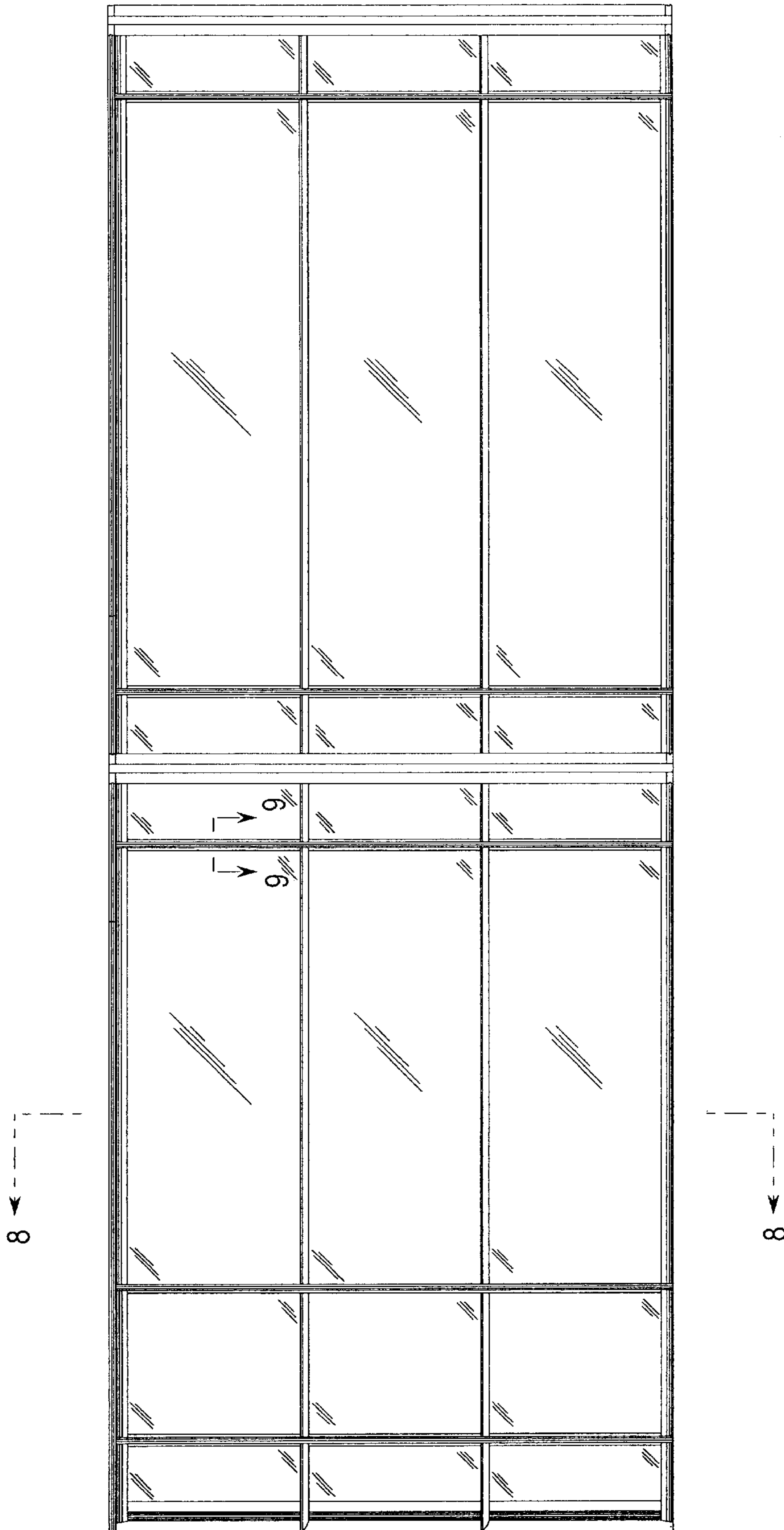


FIG. 2

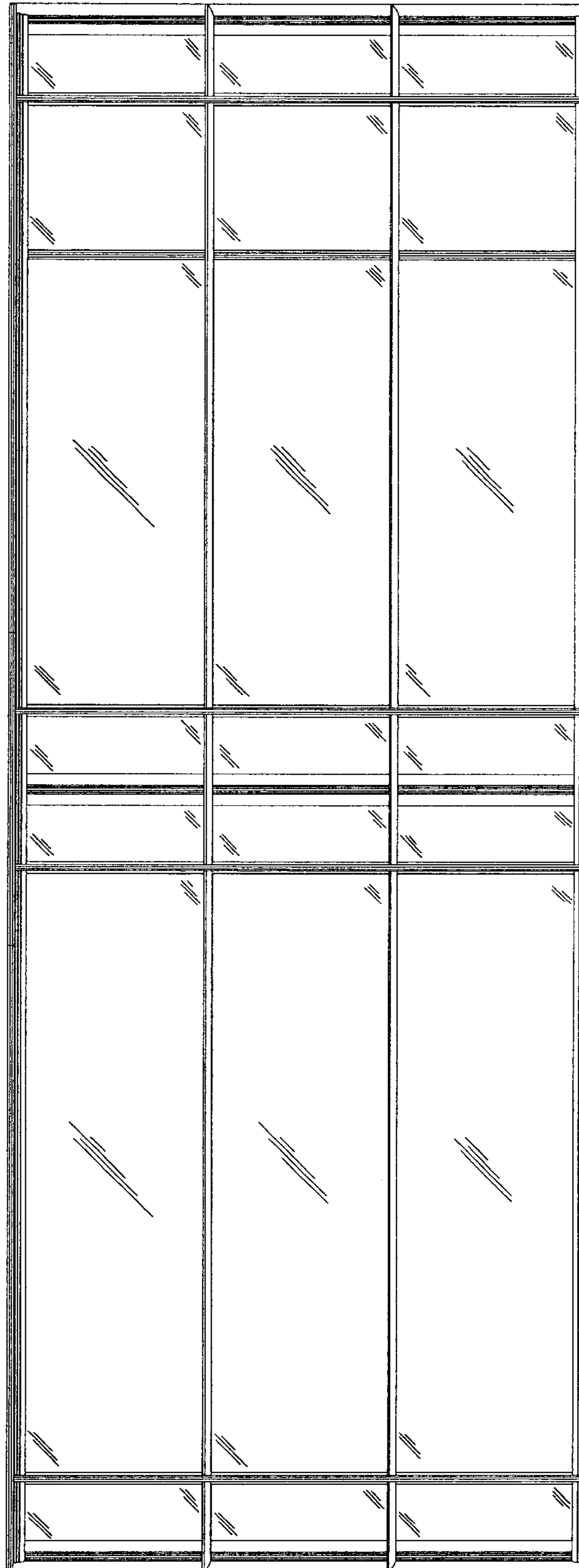


FIG. 3

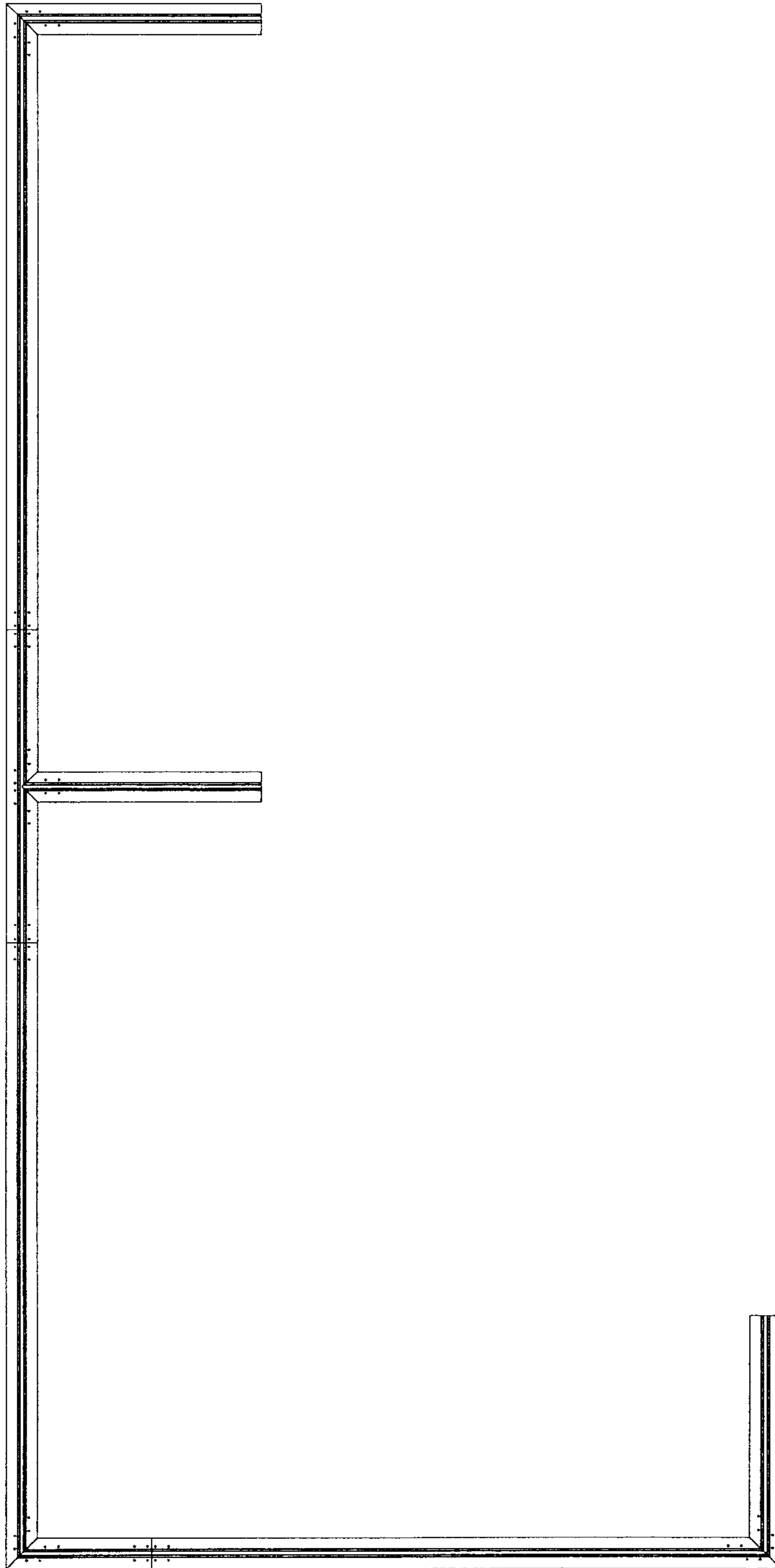


FIG. 4

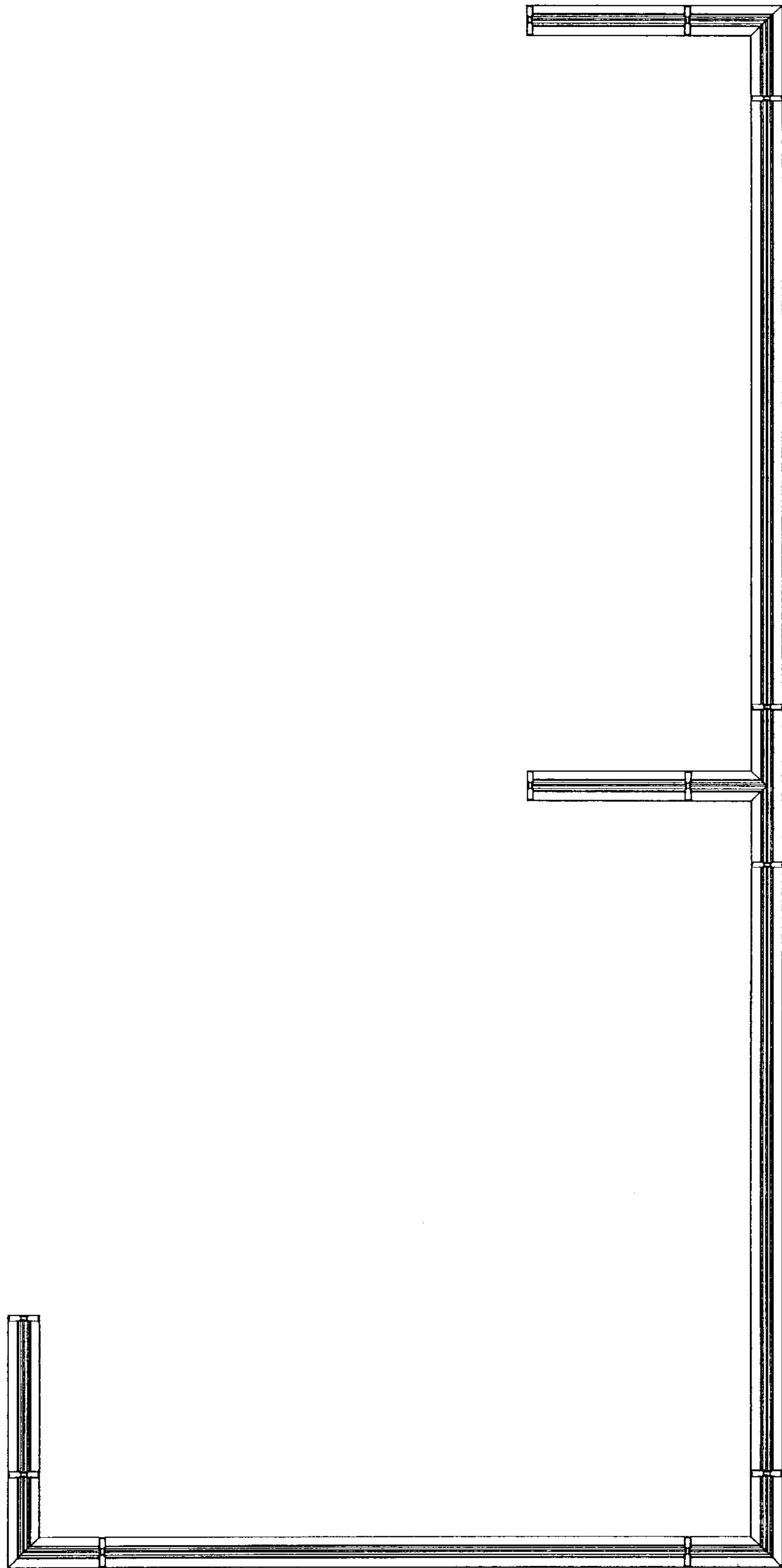


FIG. 5

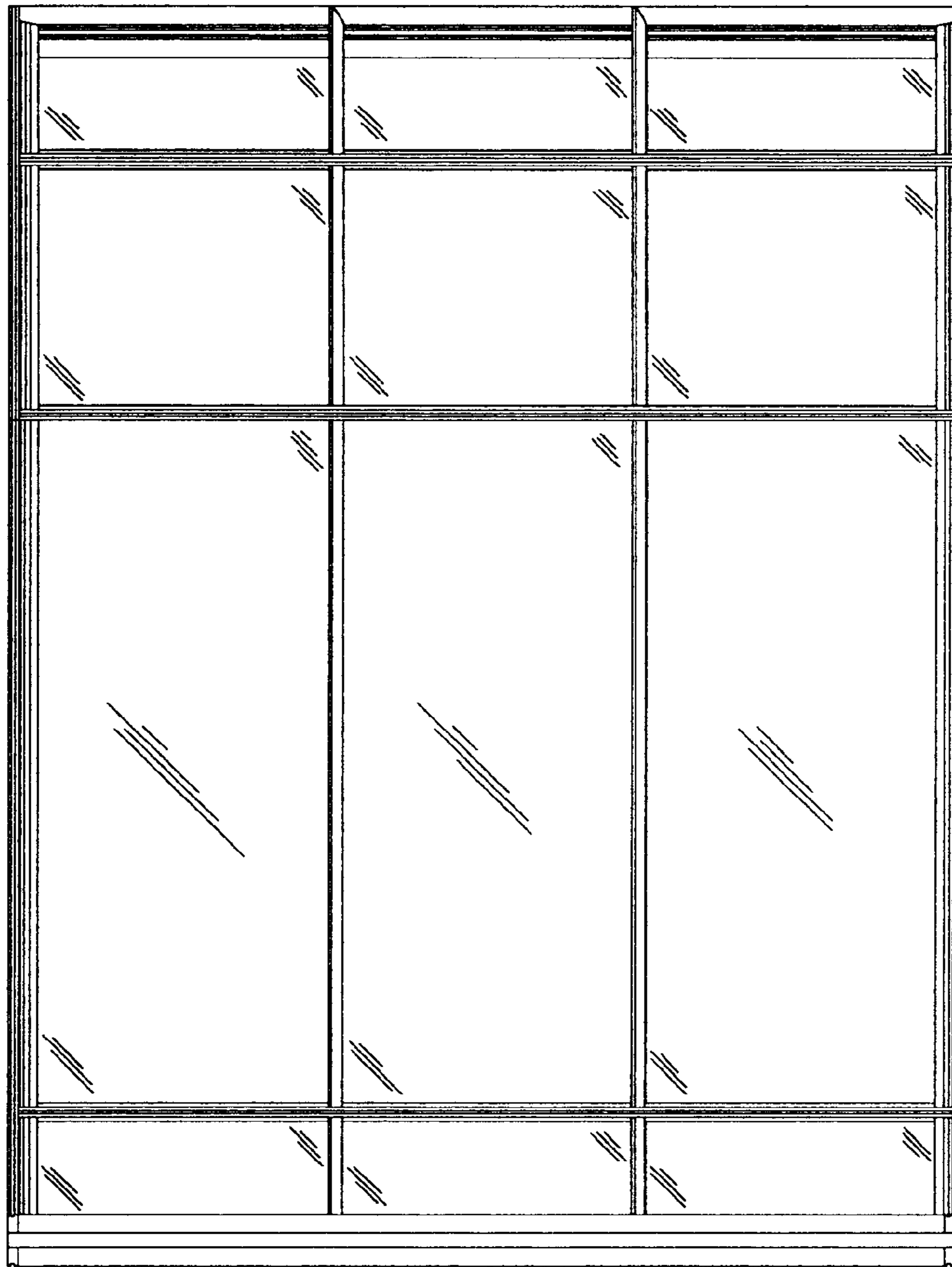
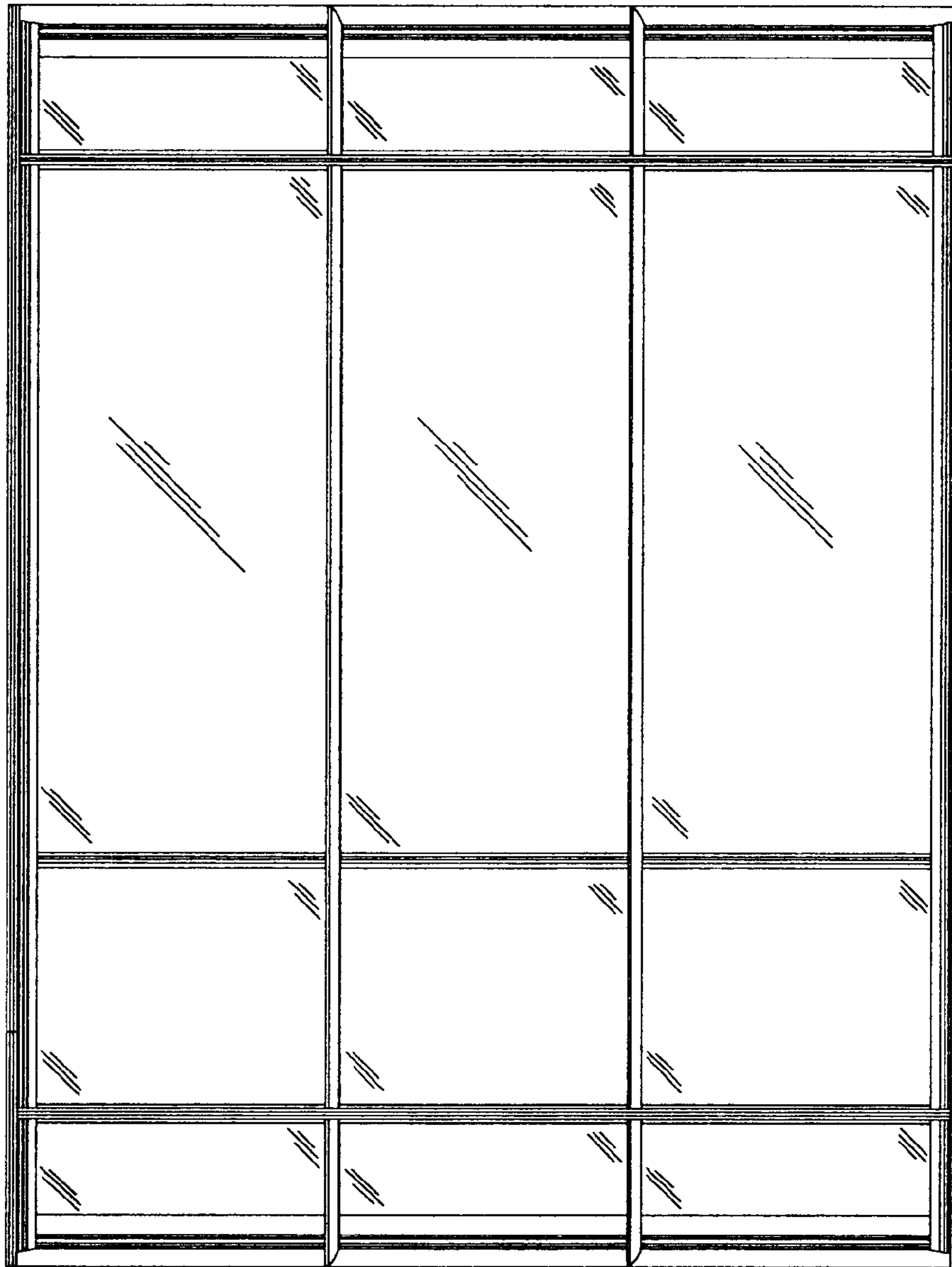




FIG. 6



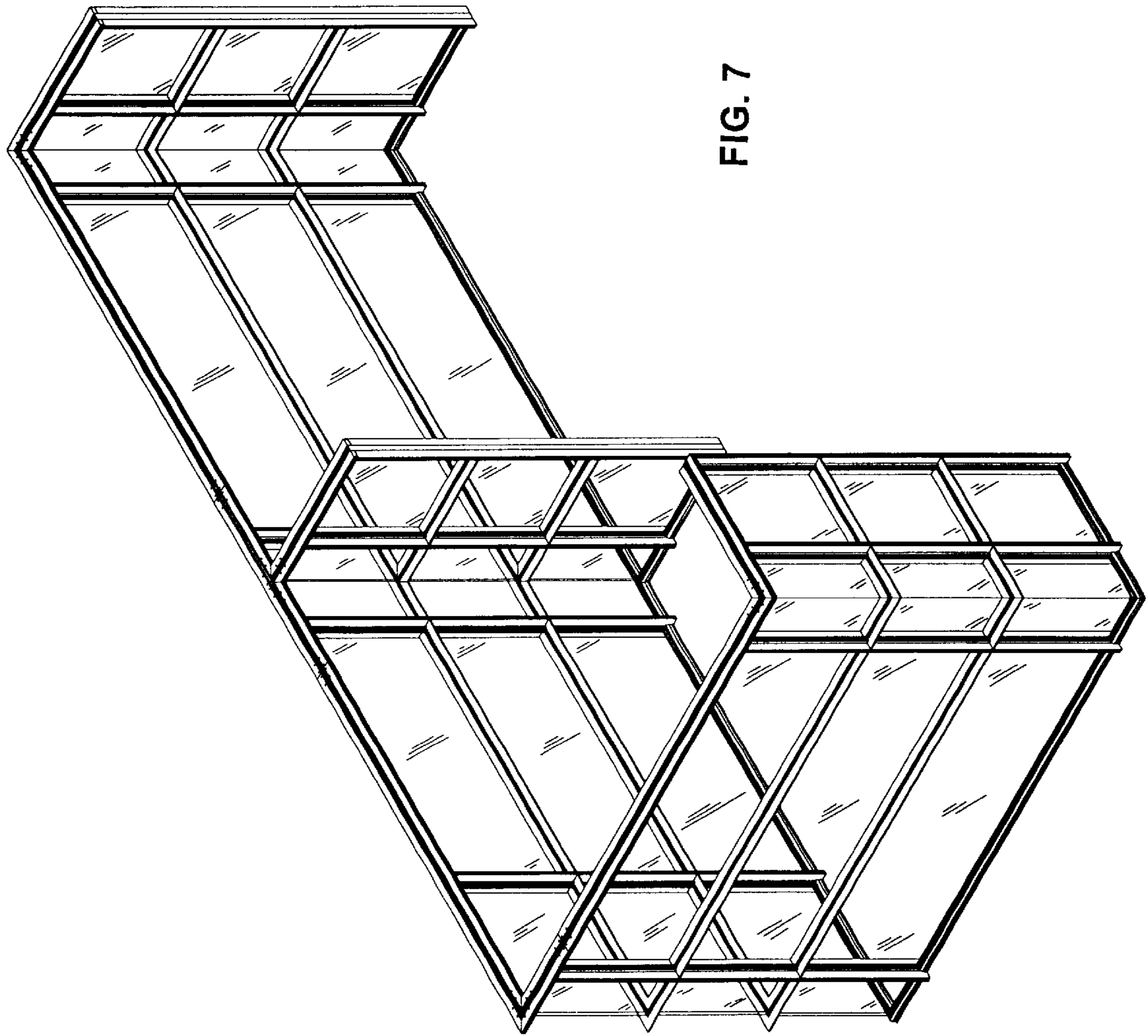


FIG. 7



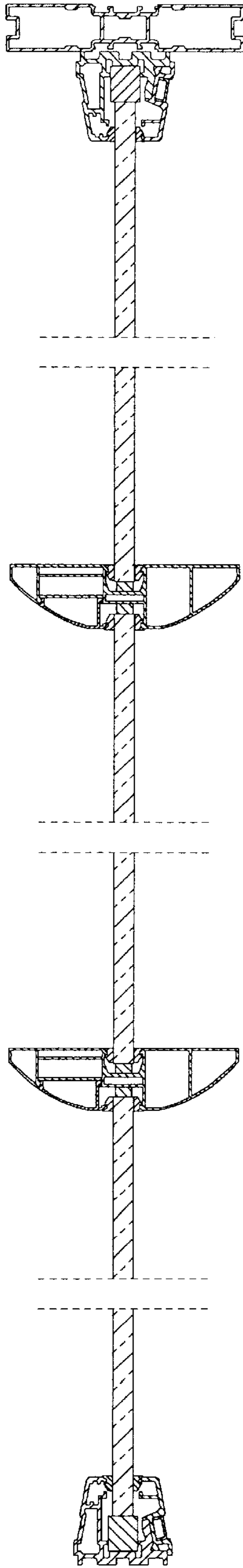
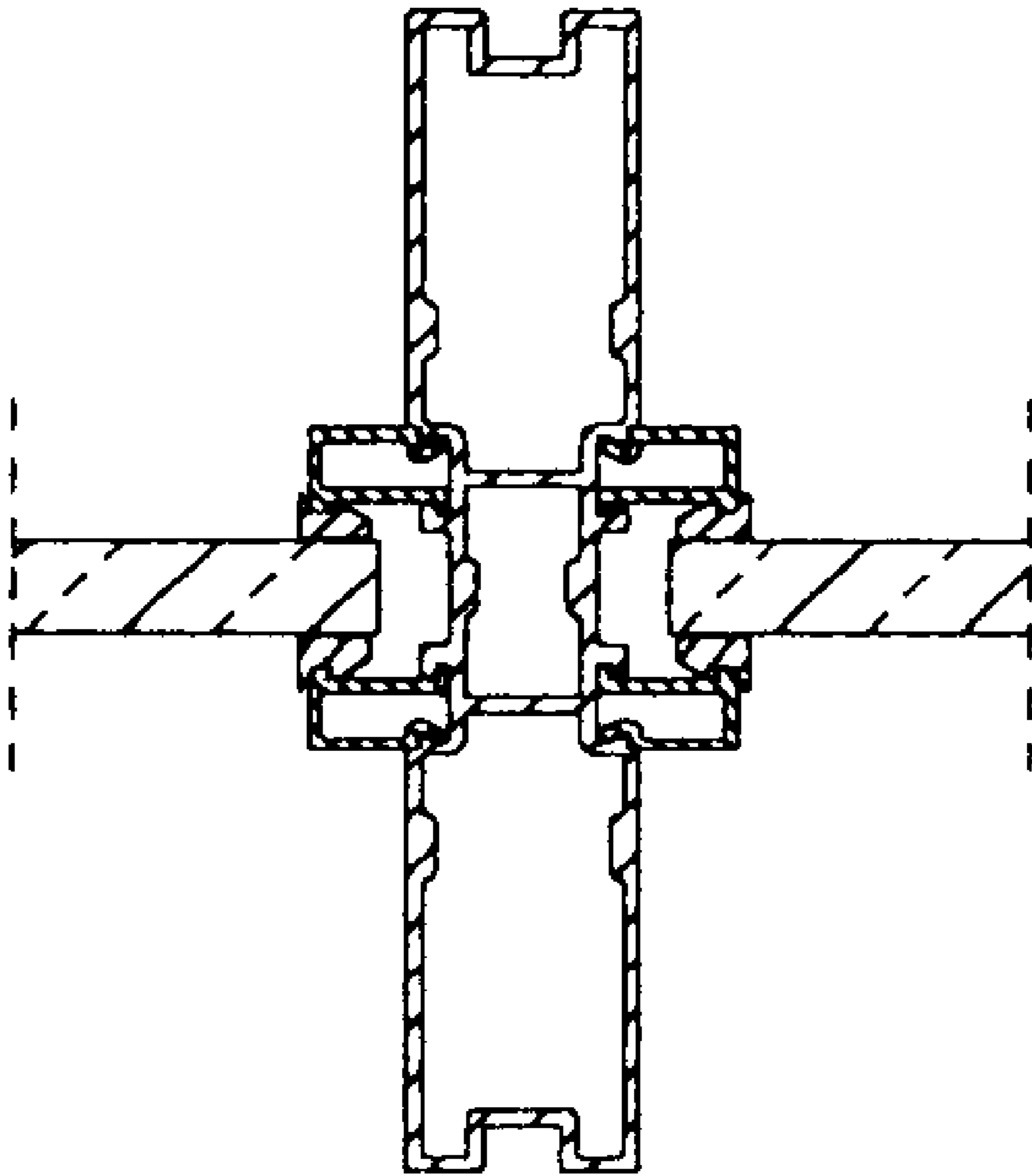


FIG. 8



**FIG. 9**