



US00D485367S

(12) **United States Design Patent**
Skulsky

(10) **Patent No.:** **US D485,367 S**

(45) **Date of Patent:** **** Jan. 13, 2004**

(54) **PERGOLA END PIECE**

D404,834 S * 1/1999 Iliadis D25/55
D463,574 S * 9/2002 Yoder D25/55

(76) Inventor: **Bryan S. Skulsky**, 255 Hillcrest Rd.,
Marshfield, MA (US) 02050

* cited by examiner

(**) Term: **14 Years**

Primary Examiner—Doris Clark
(74) *Attorney, Agent, or Firm*—John P. McGonagle

(21) Appl. No.: **29/179,181**

(22) Filed: **Apr. 7, 2003**

(57) **CLAIM**

(65) **Prior Publication Data**

The ornamental design for a pergola end piece, as shown and described.

(65)

Related U.S. Application Data

DESCRIPTION

(63) Continuation-in-part of application No. 10/364,447, filed on
Feb. 11, 2003.

FIG. 1 is a front perspective view of a pergola end piece
embodying my new design;

(51) **LOC (7) Cl.** **25-02**

FIG. 2 is side elevational view, the opposite side being a
mirror image thereof;

(52) **U.S. Cl.** **D25/57; D25/55**

FIG. 3 is a top view thereof;

(58) **Field of Search** D25/55, 57, 136,
D25/199; 52/95, 94, 96; 49/403

FIG. 4 is a bottom view thereof;

FIG. 5 is a front view thereof; and,

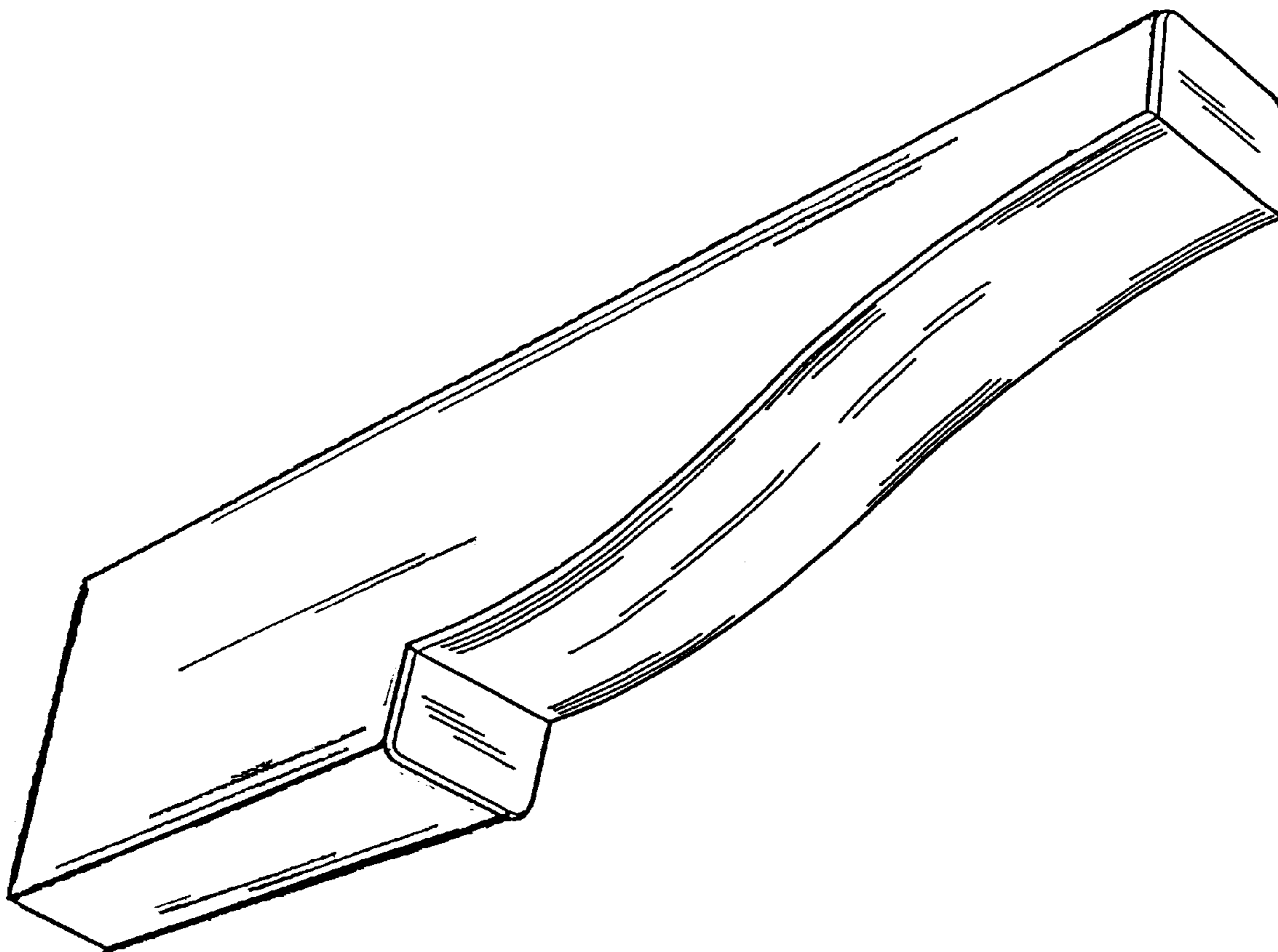
FIG. 6 is a rear view thereof.

(56) **References Cited**

U.S. PATENT DOCUMENTS

D293,934 S * 1/1988 Lambert et al. D25/57

1 Claim, 4 Drawing Sheets



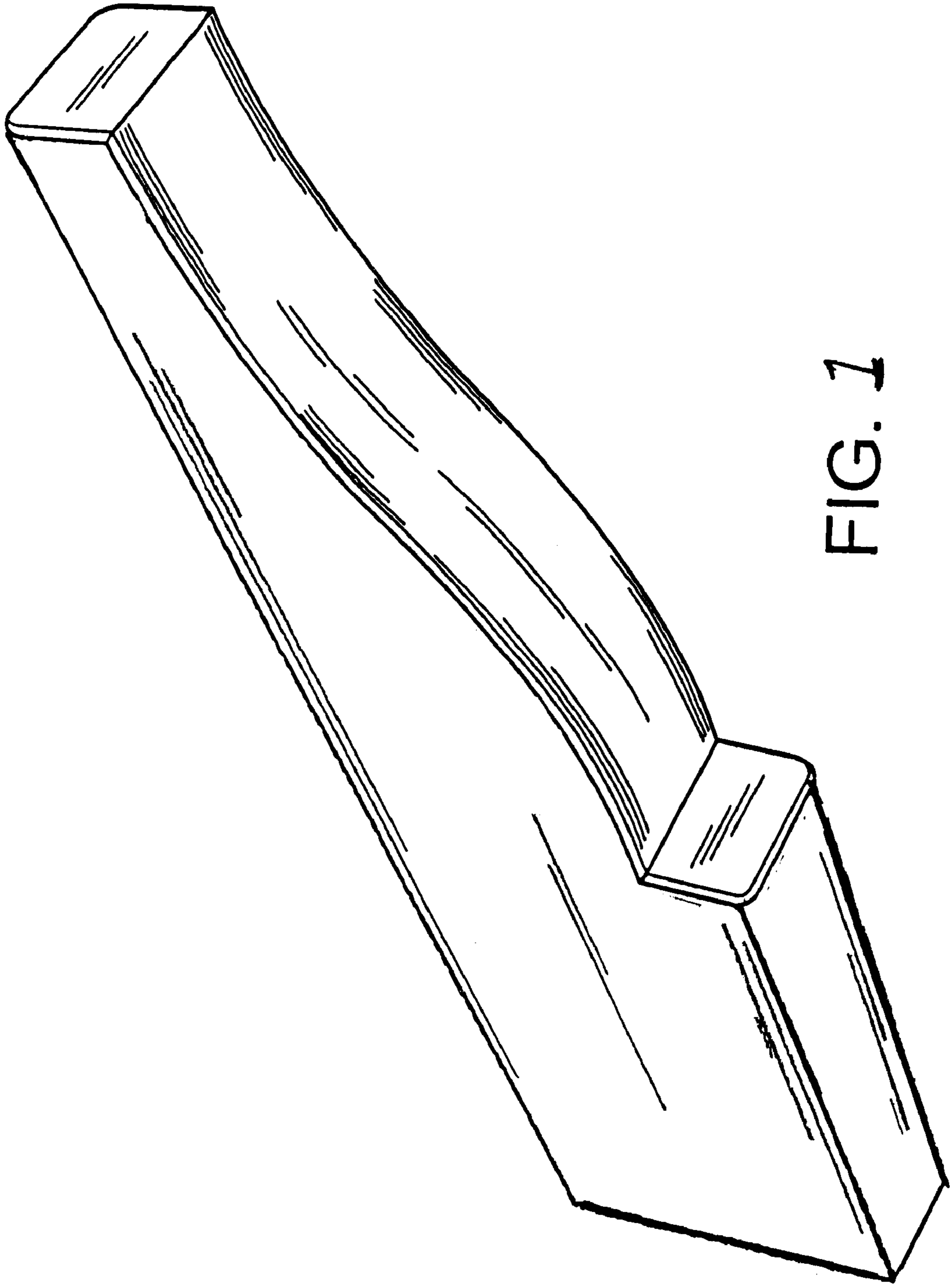


FIG. 1



FIG. 2

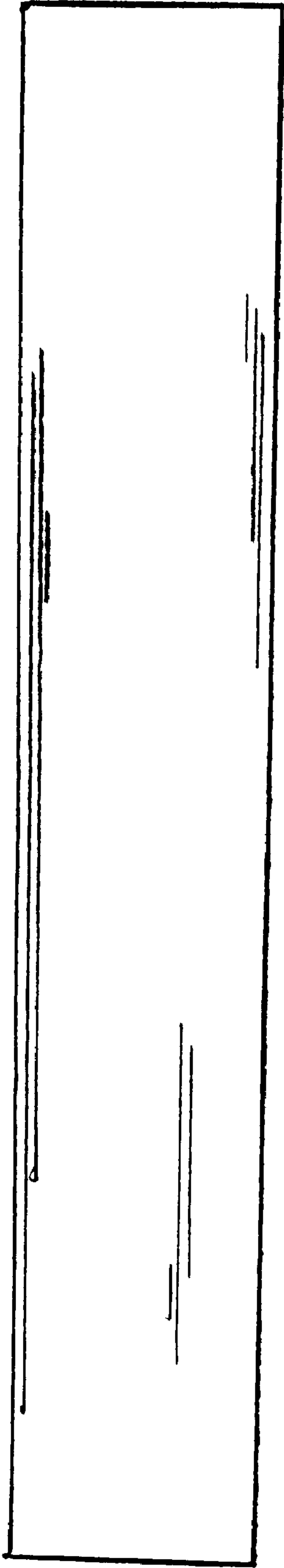


FIG. 3

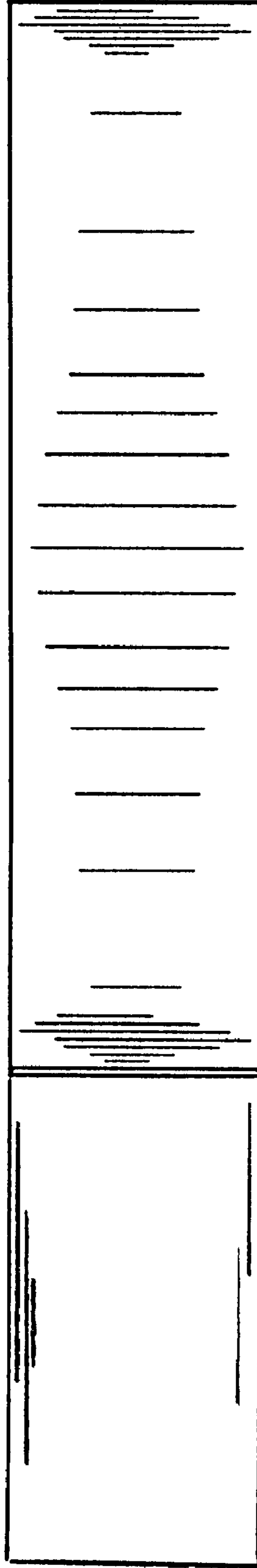


FIG. 4

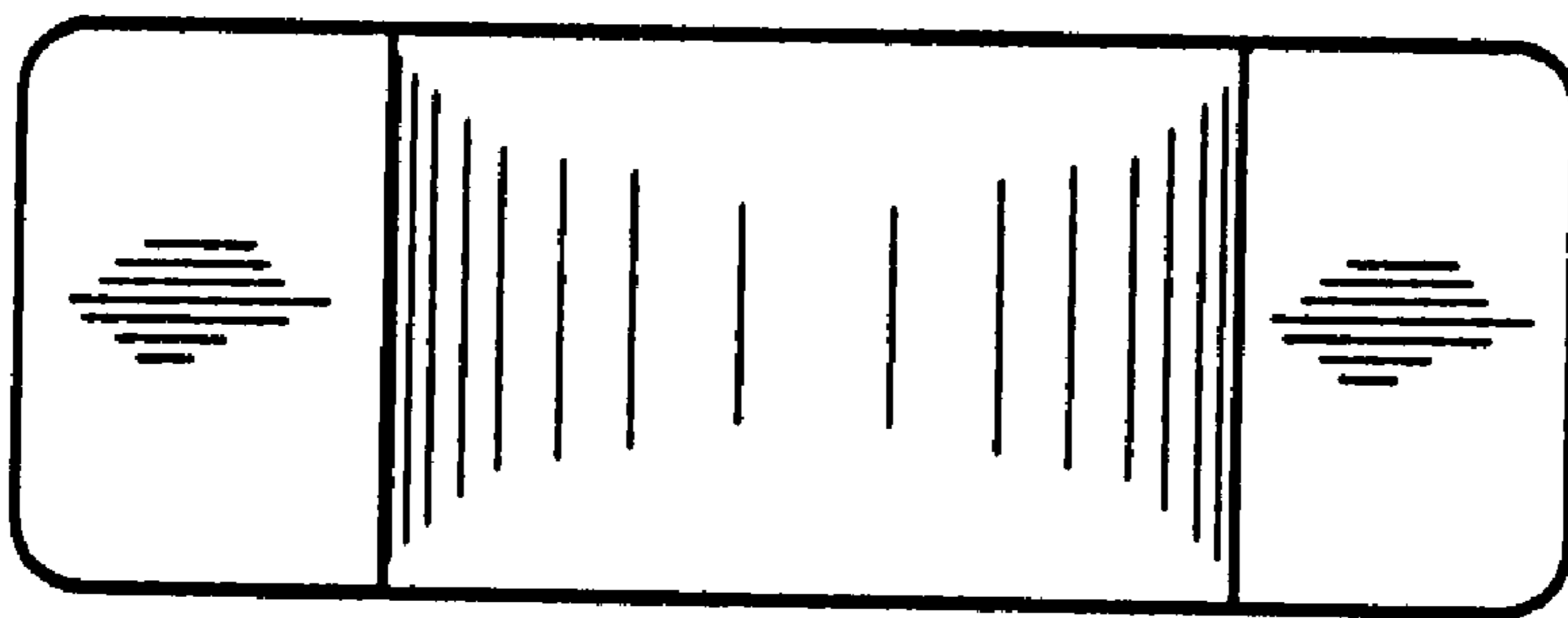


FIG. 5

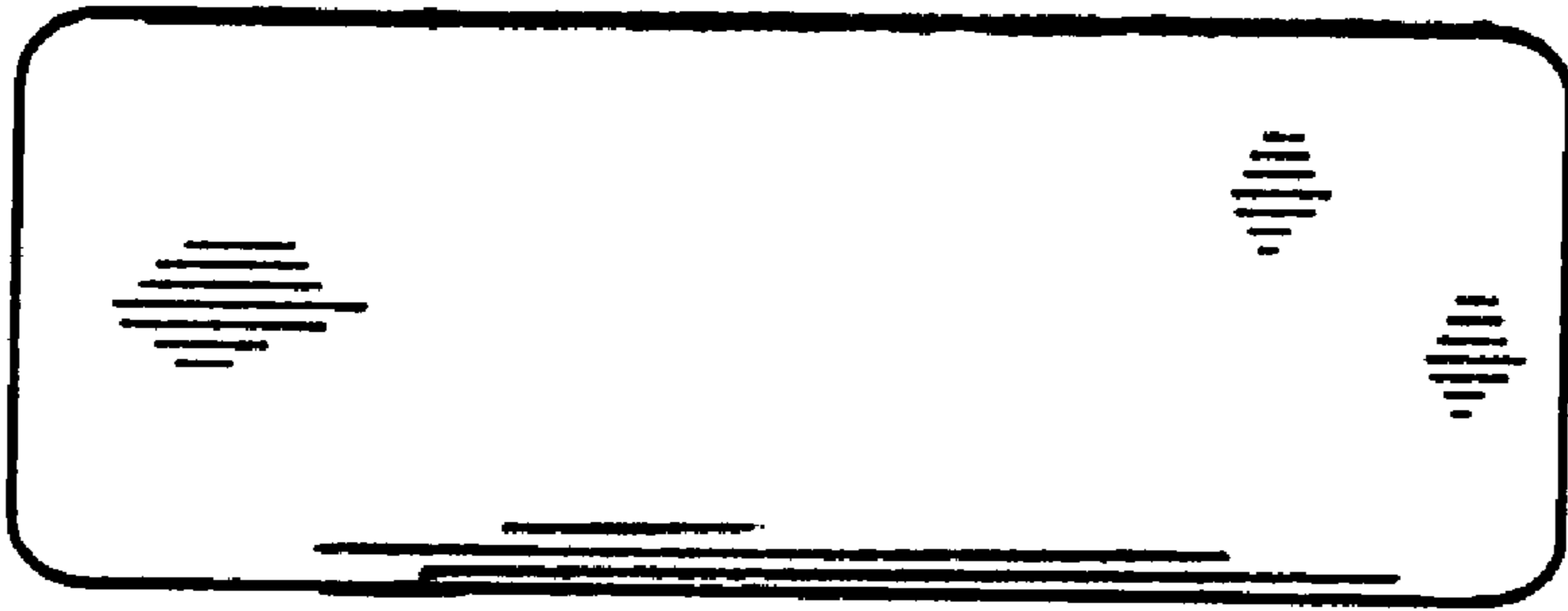


FIG. 6