



US00D485365S

(12) **United States Design Patent**  
**Py et al.**

(10) **Patent No.: US D485,365 S**  
(45) **Date of Patent: \*\* Jan. 13, 2004**

(54) **VIAL**  
(75) Inventors: **Daniel Py**, Stamford, CT (US);  
**Norbert M. Assion**, Shelton, CT (US);  
**Julian V. Chan**, Spring Valley, NY  
(US); **Jacques Thilly**, Rixensart (BE);  
**Christian Vandecasserie**, Rixensart  
(BE)

(73) Assignees: **Medical Instill Technologies, Inc.**,  
Stamford, CT (US); **GlaxoSmithKline**  
**Biologicals s.a.**, Rixensart (BE)

(\*\*) Term: **14 Years**

(21) Appl. No.: **29/166,810**

(22) Filed: **Sep. 3, 2002**

(51) **LOC (7) Cl.** ..... **24-02**

(52) **U.S. Cl.** ..... **D24/224; D24/121**

(58) **Field of Search** ..... D24/224, 121,  
D24/216; 422/102, 101, 99; 604/415, 414;  
D9/445, 446, 434, 439; 215/DIG. 3, 247,  
249, 251, 255

(56) **References Cited**

**U.S. PATENT DOCUMENTS**

2,503,147 A	4/1950	Applezweig
2,667,986 A	2/1954	Perelson
3,092,278 A	6/1963	Järnhäll
3,136,440 A	6/1964	Krug et al.
3,193,128 A	7/1965	Ravn
3,278,063 A	10/1966	Kranzhoff
3,340,671 A	9/1967	Loo
3,358,865 A	12/1967	Andersen
3,392,859 A	7/1968	Fischer
3,637,102 A	1/1972	Shaw
3,685,248 A	8/1972	Godelaine
3,811,591 A	5/1974	Novitch
4,048,255 A	9/1977	Hillier et al.
4,205,754 A	6/1980	Nielsen et al.
4,250,611 A	2/1981	Wong
4,265,364 A	5/1981	Baba
4,366,912 A	1/1983	Matukura et al.

4,390,111 A	6/1983	Robbins et al.
4,444,330 A	4/1984	Kasai et al.
4,456,138 A	6/1984	Bereziat
4,471,879 A	9/1984	Connor et al.
4,499,148 A	2/1985	Goodale et al.
D279,651 S	* 7/1985	Freeman ..... D9/446
4,635,807 A	1/1987	Knapp
4,664,275 A	5/1987	Kasai et al.
4,664,277 A	5/1987	Connor
4,703,781 A	11/1987	Meyer et al.
4,815,619 A	3/1989	Turner et al.
4,842,028 A	6/1989	Kaufman et al.
5,031,675 A	7/1991	Lindgren

(List continued on next page.)

**FOREIGN PATENT DOCUMENTS**

CA	1123792	5/1982
EP	0921151	10/2001
FR	2509689	7/1981
GB	500534	2/1939
GB	984148	2/1965
GB	2091229	7/1982
GB	2364700	2/2002
WO	WO95/34381	12/1995

*Primary Examiner*—Ian Simmons

(74) *Attorney, Agent, or Firm*—Cummings & Lockwood

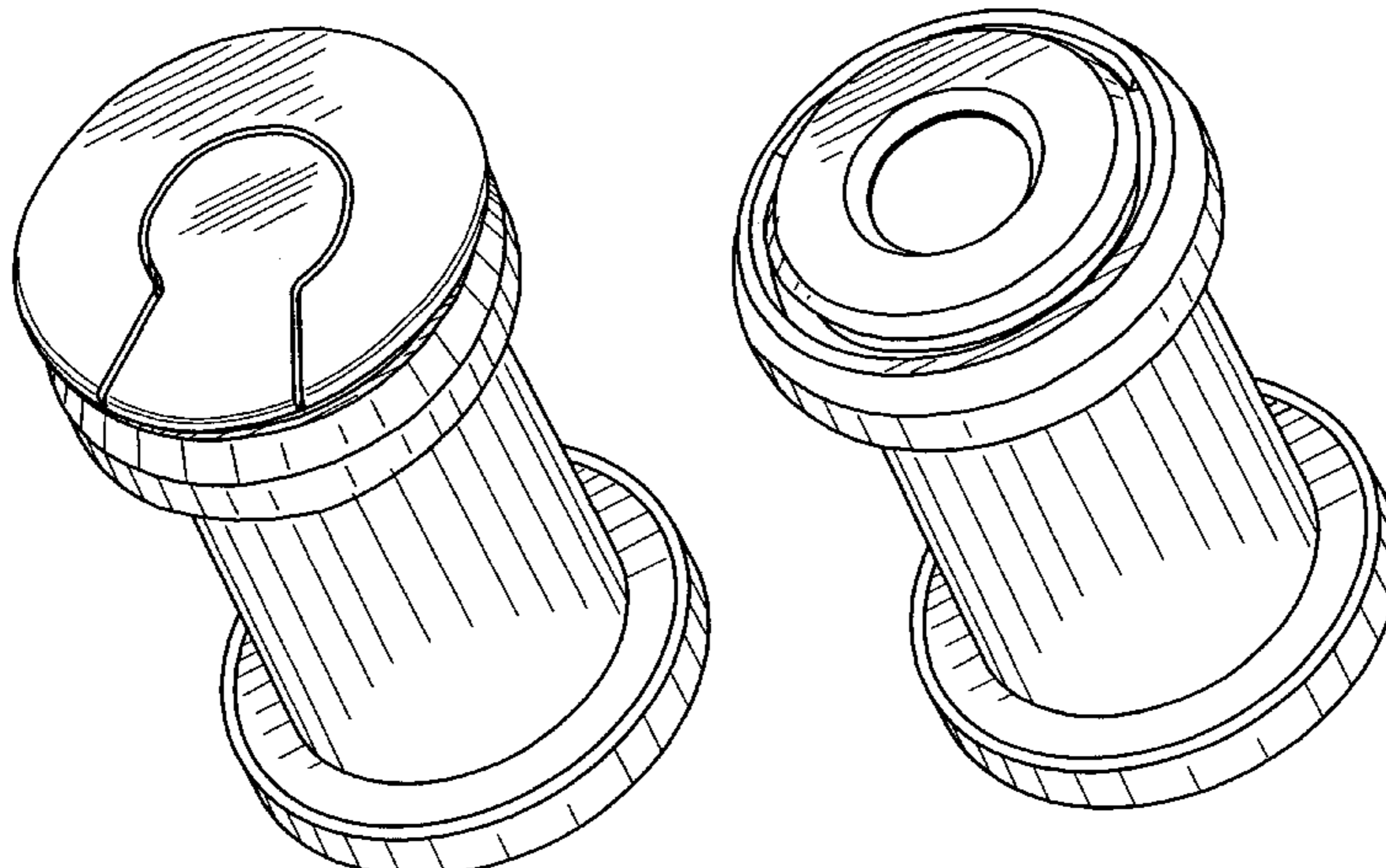
(57) **CLAIM**

The ornamental design for a vial, as shown and described.

**DESCRIPTION**

FIG. 1 is a side elevational view of a first embodiment of a vial showing our new design;  
FIG. 2 is a top perspective view of the vial of FIG. 1;  
FIG. 3 is a bottom plan view of the vial of FIG. 1;  
FIG. 4 is a top plan view of the vial of FIG. 1;  
FIG. 5 is a side elevational view of the vial of FIG. 1 with the cap removed;  
FIG. 6 is a top perspective view of the vial of FIG. 5;  
FIG. 7 is a bottom plan view of the vial of FIG. 5; and,  
FIG. 8 is a top plan view of the vial of FIG. 5.

**1 Claim, 6 Drawing Sheets**



# US D485,365 S

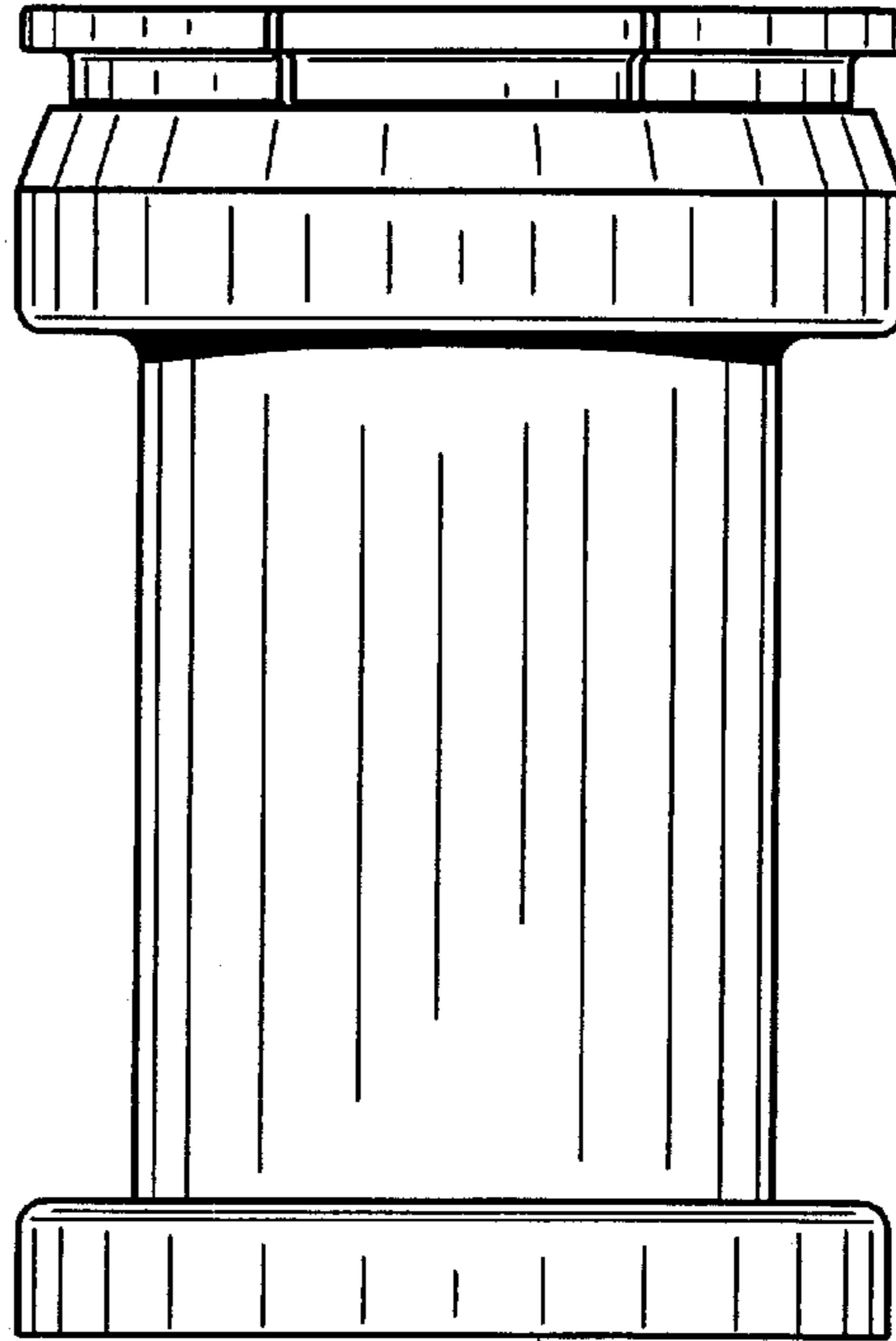
Page 2

## U.S. PATENT DOCUMENTS

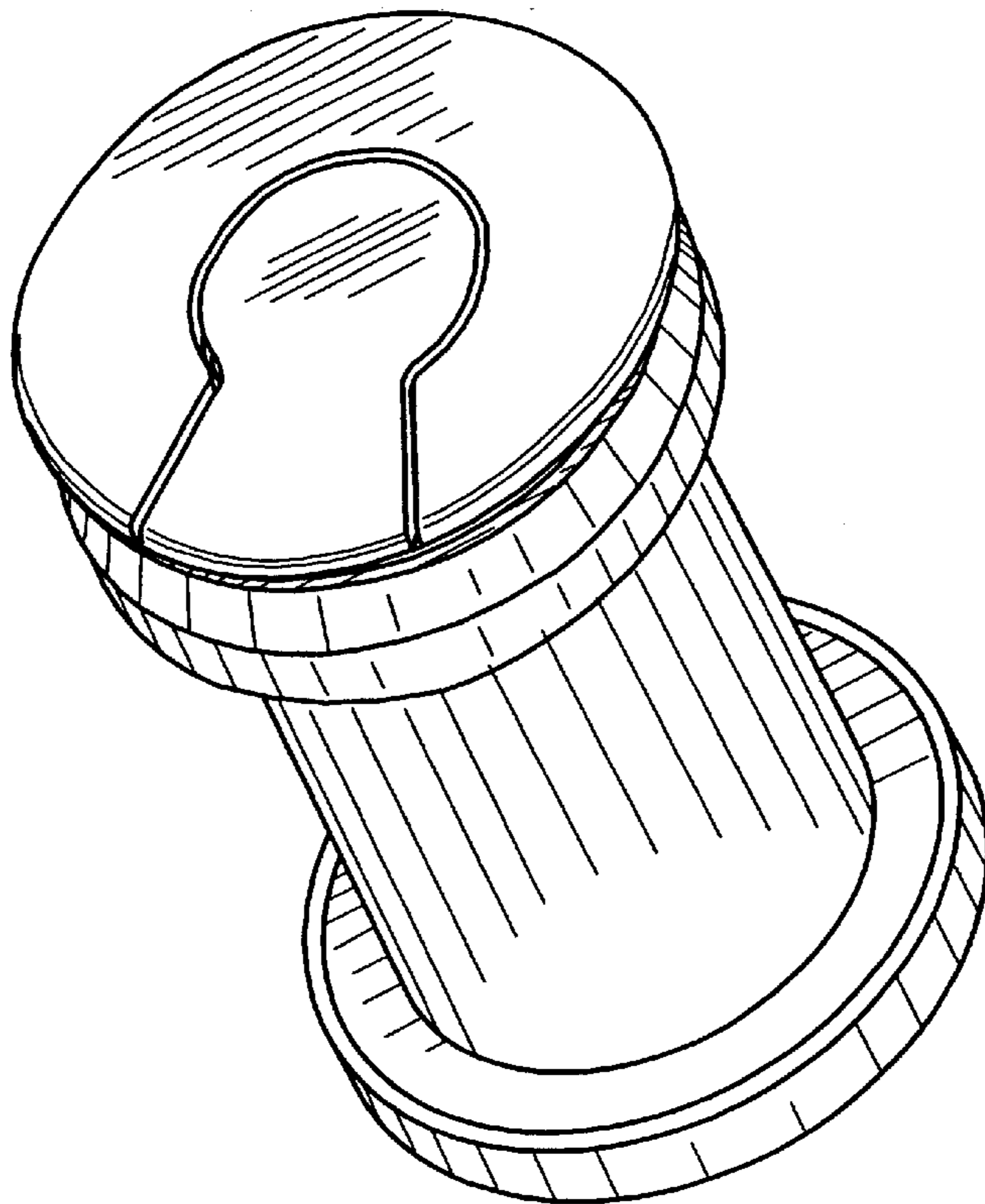
5,085,332 A	2/1992	Gettig et al.	5,816,772 A	10/1998	Py
5,088,612 A	2/1992	Storar et al.	5,823,373 A	10/1998	Sudo et al.
5,088,995 A	2/1992	Packard et al.	5,902,298 A *	5/1999	Niedospial et al. .... 604/414
5,129,212 A	7/1992	Duffey et al.	5,931,828 A	8/1999	Durkee
5,247,015 A	9/1993	Bayan	5,971,181 A	10/1999	Niedospial, Jr. et al.
5,341,854 A	8/1994	Zezulka et al.	6,006,932 A	12/1999	Morin
5,344,036 A	9/1994	Stanescu et al.	6,068,150 A	5/2000	Mitchell et al.
5,379,908 A	1/1995	Rohe	6,070,748 A	6/2000	Sotrar
5,411,065 A	5/1995	Meador et al.	6,095,355 A	8/2000	Jessen et al.
5,464,111 A	11/1995	Vacek et al.	6,145,688 A	11/2000	Smith
5,484,566 A	1/1996	Gabbard	D439,345 S *	3/2001	Herchenbach et al. .... D24/224
5,514,339 A	5/1996	Leopardi et al.	6,223,918 B1	5/2001	Browne
5,549,141 A	8/1996	Meador et al.	6,234,335 B1	5/2001	Gee et al.
5,641,004 A	6/1997	Py	6,382,441 B1	5/2002	Carano
D383,214 S *	9/1997	Brennan ..... D24/224	2001/0041872 A1	11/2001	Paul, Jr.
D389,586 S *	1/1998	Brennan ..... D24/224	2002/0010995 A1	1/2002	Thibault et al.
5,718,348 A *	2/1998	Manera ..... 215/DIG. 3	2002/0023893 A1	2/2002	Sudo et al.
5,744,087 A	4/1998	Williams et al.	2002/0029022 A1	3/2002	Naritomi et al.

\* cited by examiner

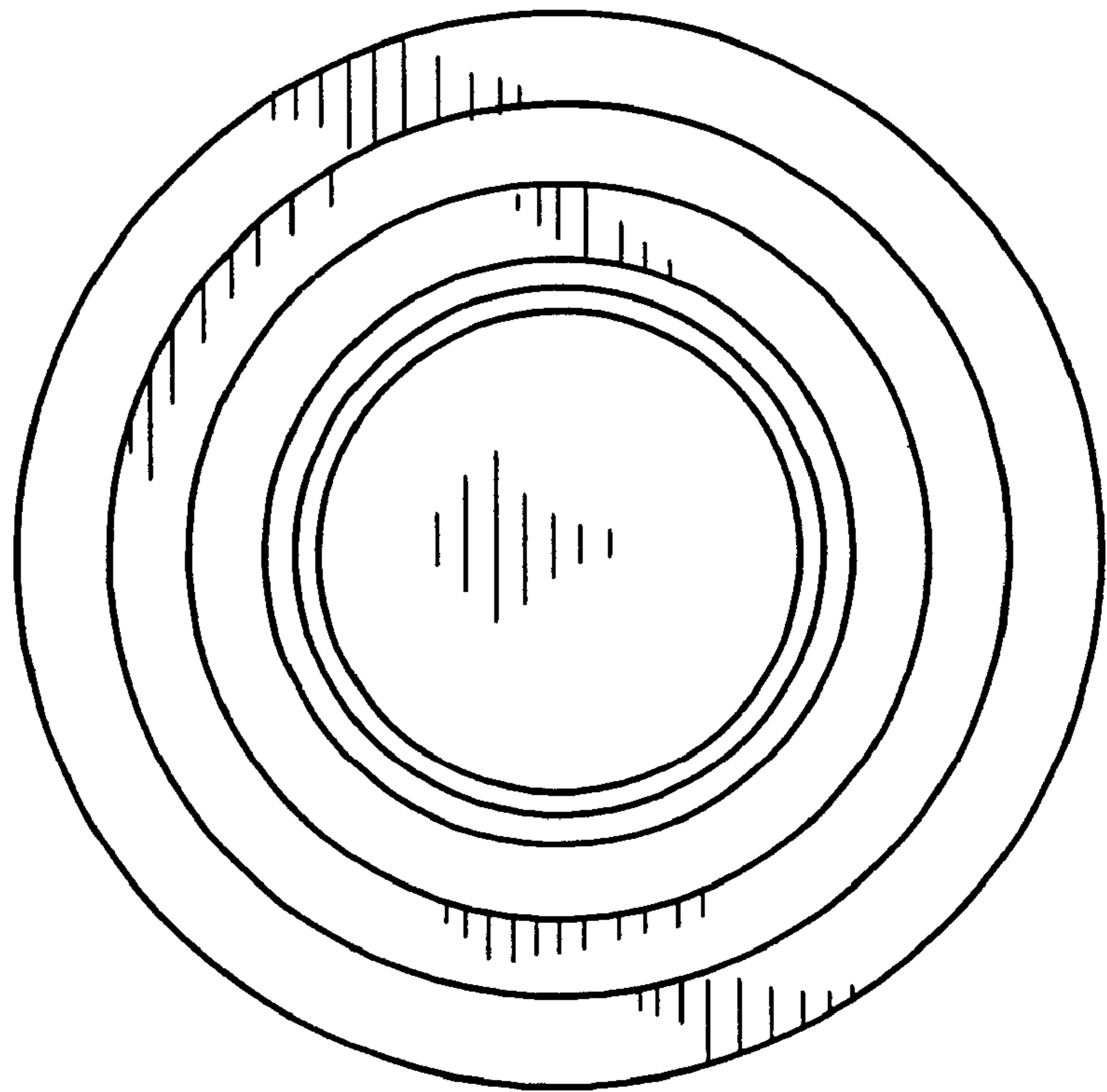
**FIG. 1**



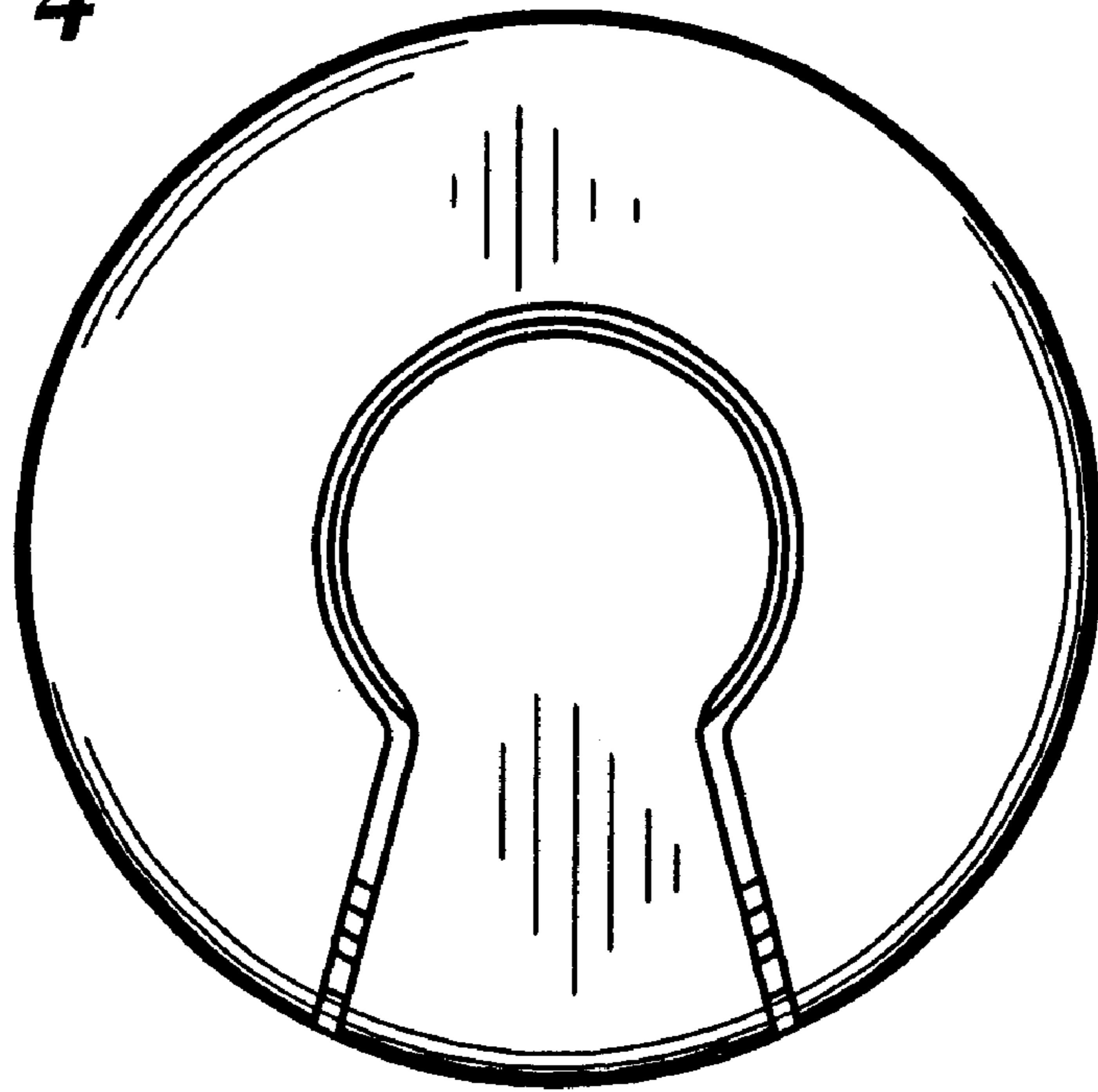
**FIG. 2**



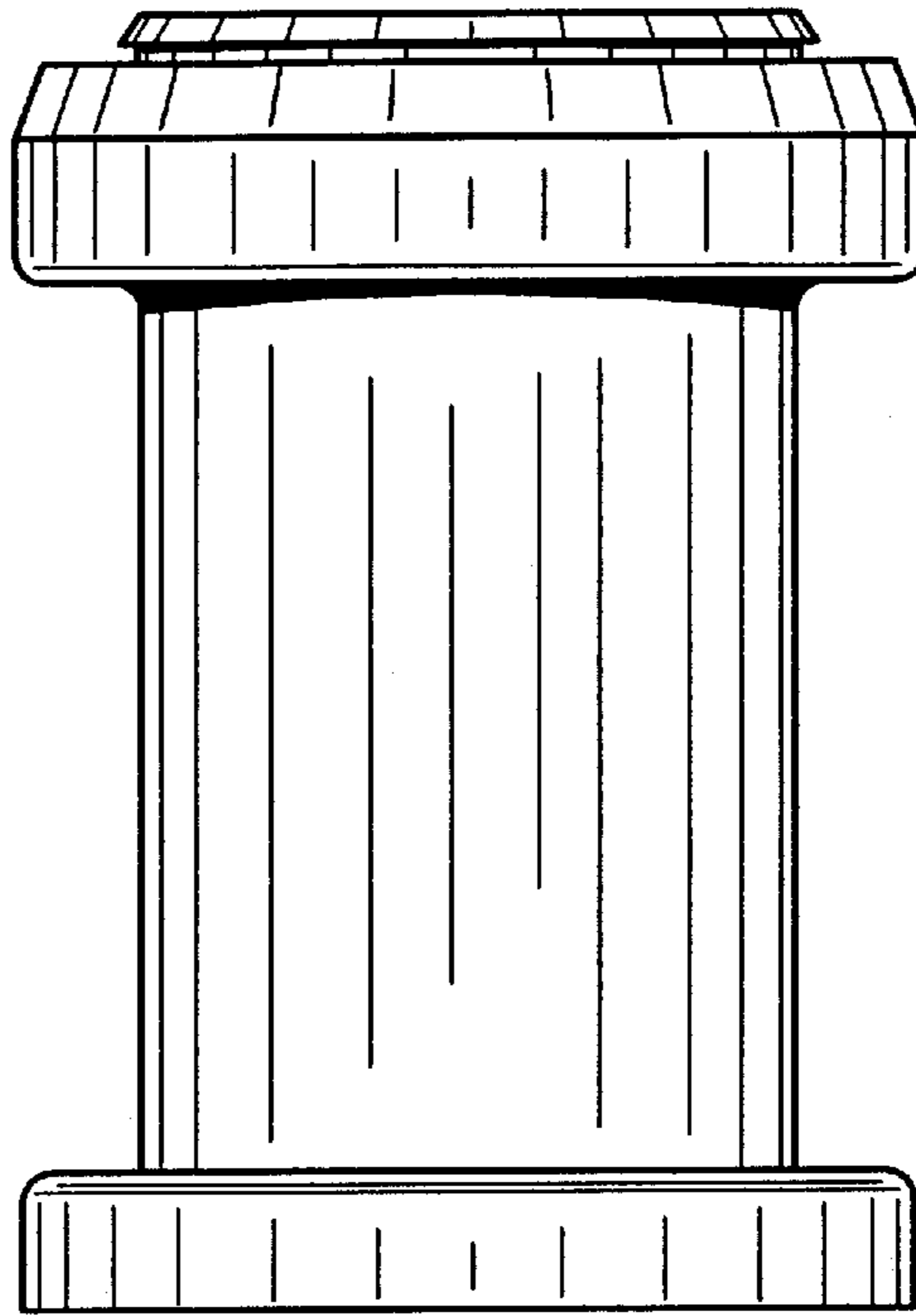
***FIG. 3***



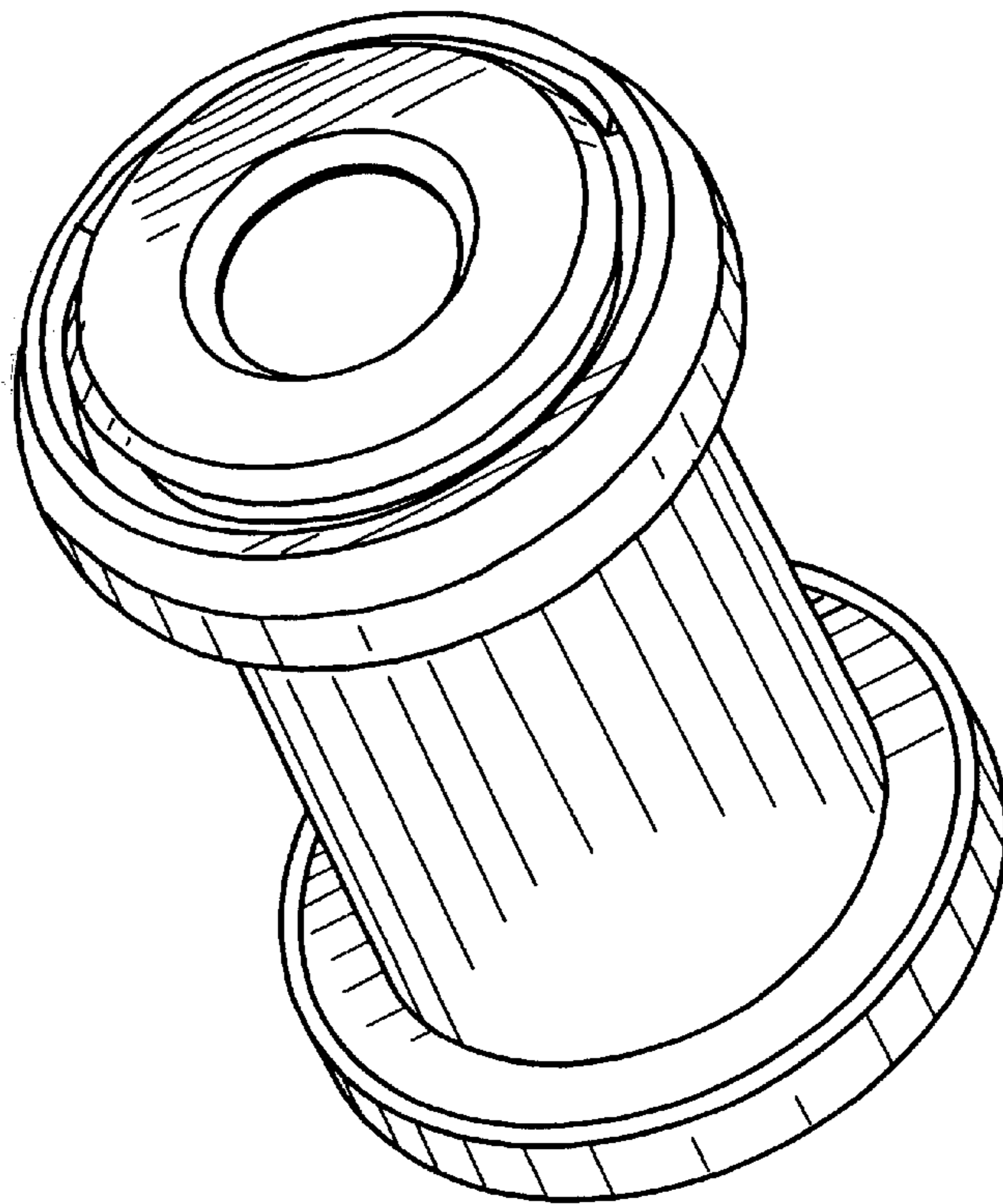
***FIG. 4***



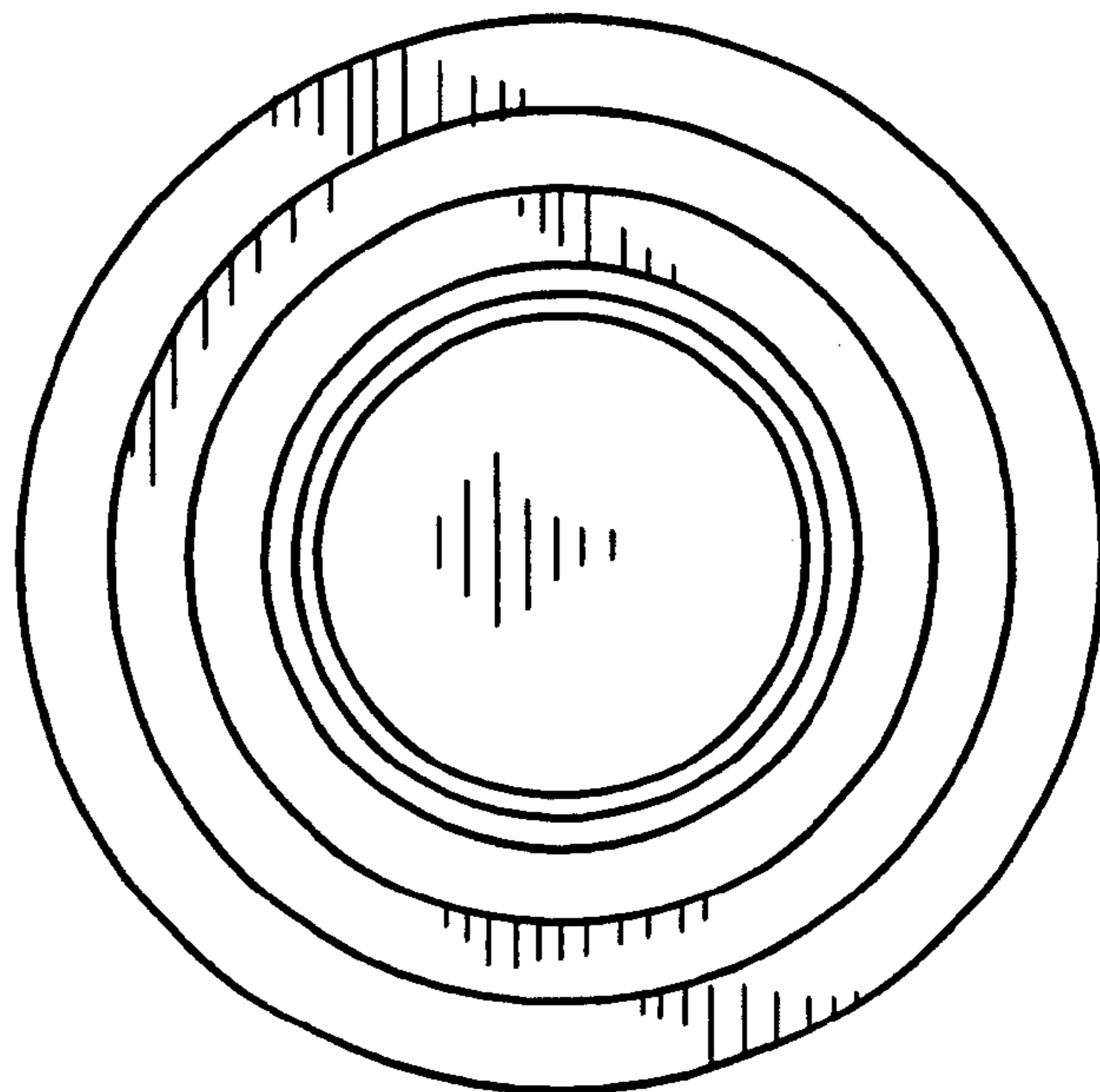
**FIG. 5**



**FIG. 6**



***FIG. 7***



***FIG. 8***

