



US00D485356S

(12) **United States Design Patent**  
**Evans**

(10) **Patent No.:** **US D485,356 S**

(45) **Date of Patent:** **\*\* Jan. 13, 2004**

(54) **SYRINGE LABEL CRADLE**

(75) Inventor: **Robert F. Evans, Mobile, AL (US)**

(73) Assignee: **DocuSys, Inc., Mobile, AL (US)**

(\*\*) Term: **14 Years**

(21) Appl. No.: **29/183,315**

(22) Filed: **Jun. 10, 2003**

**Related U.S. Application Data**

(62) Division of application No. 29/153,646, filed on Jan. 10, 2002.

(51) **LOC (7) Cl.** ..... **24-02**

(52) **U.S. Cl.** ..... **D24/128**

(58) **Field of Search** ..... D24/130, 127,  
D24/128; 604/207, 208, 890, 203, 214,  
155

(56) **References Cited**

**U.S. PATENT DOCUMENTS**

RE38,189 E \* 7/2003 Walker et al. .... 604/207

\* cited by examiner

*Primary Examiner*—Ian Simmons

(74) *Attorney, Agent, or Firm*—Lerner, David, Littenberg, Krumholz & Mentlik, LLP

(57) **CLAIM**

The ornamental design for a syringe label cradle, as shown and described.

**DESCRIPTION**

FIG. 1 is a perspective view of a syringe label cradle showing my new design;

FIG. 2 is a front elevational view;

FIG. 3 is a rear elevational view;

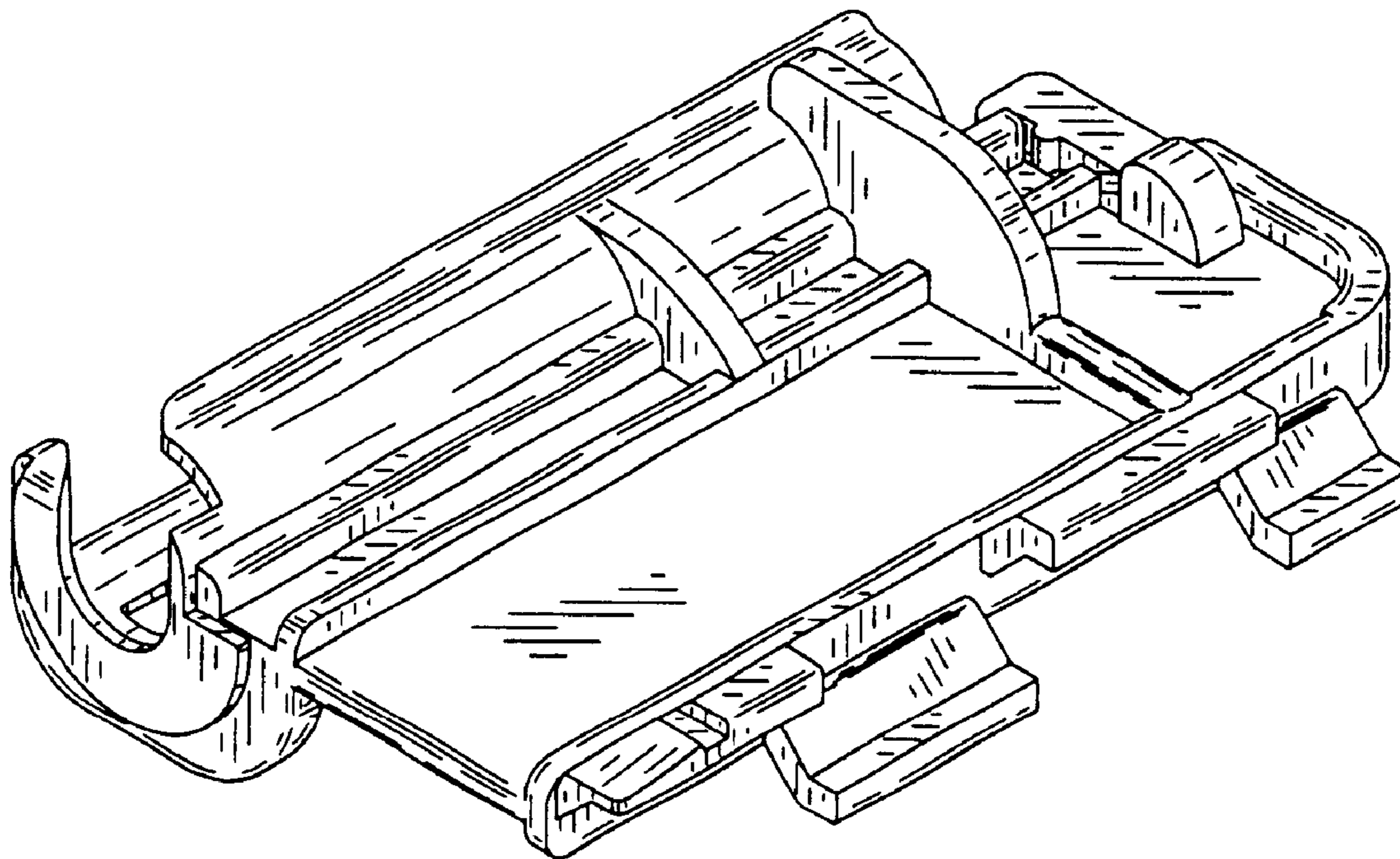
FIG. 4 is a right side elevational view;

FIG. 5 is a left side elevational view;

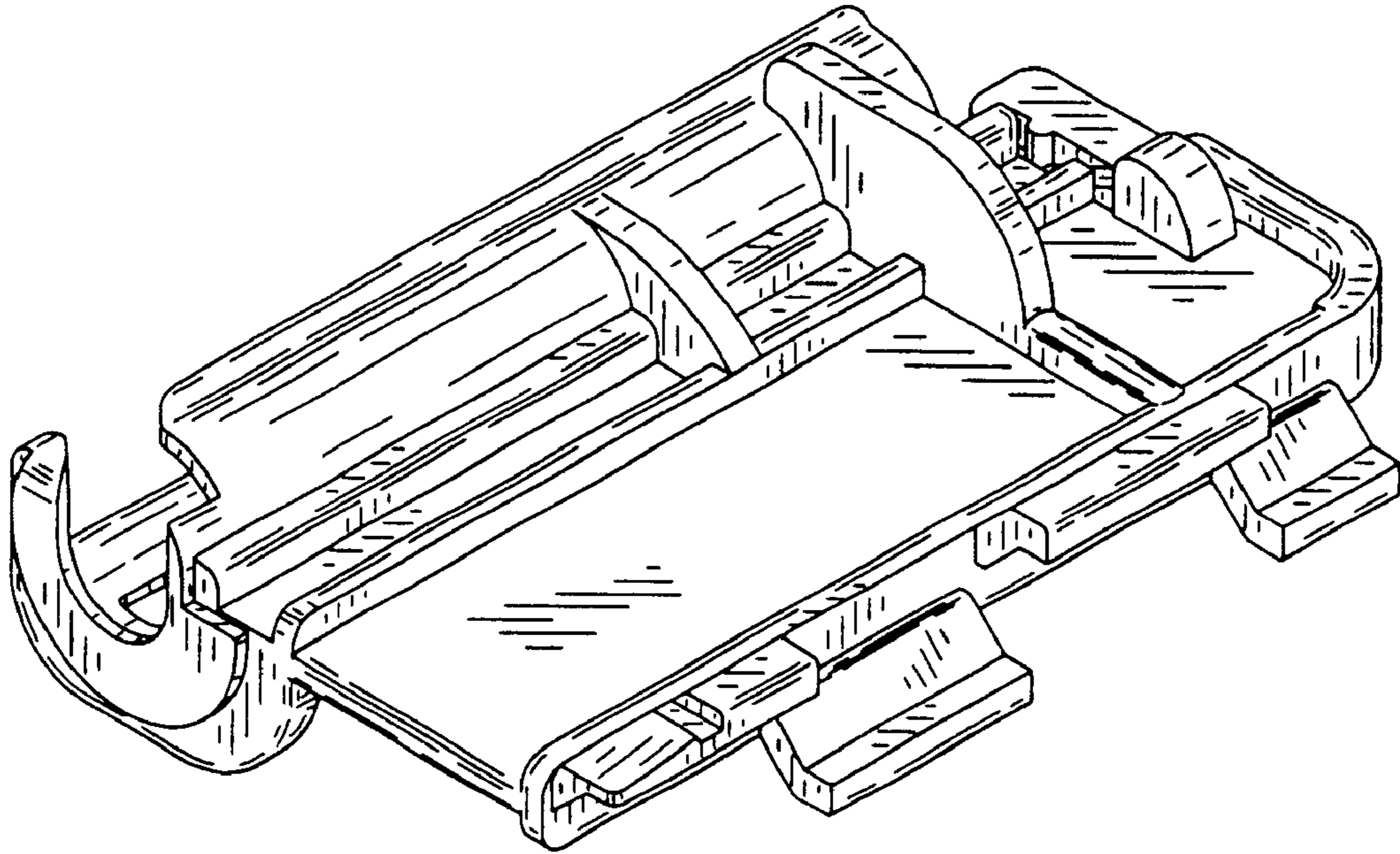
FIG. 6 is a top plan view; and,

FIG. 7 is a bottom plan view.

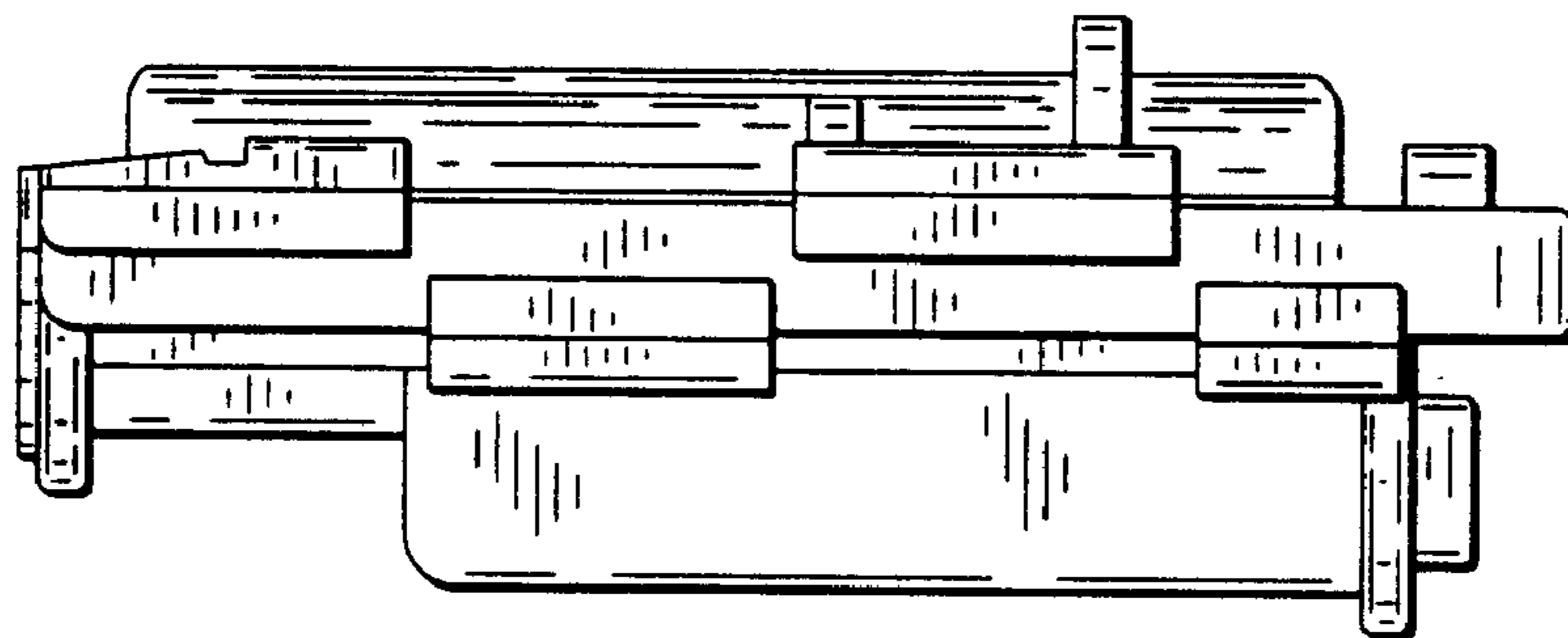
**1 Claim, 3 Drawing Sheets**



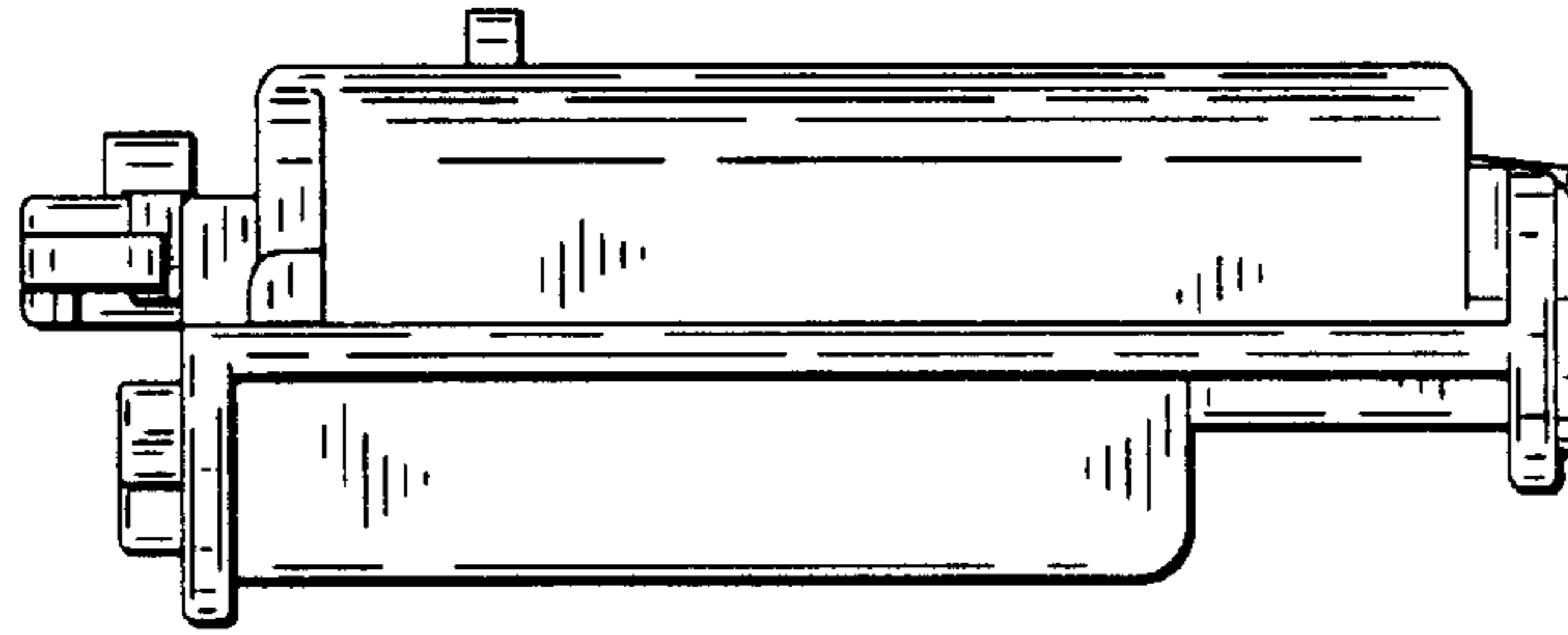
**FIG. 1**



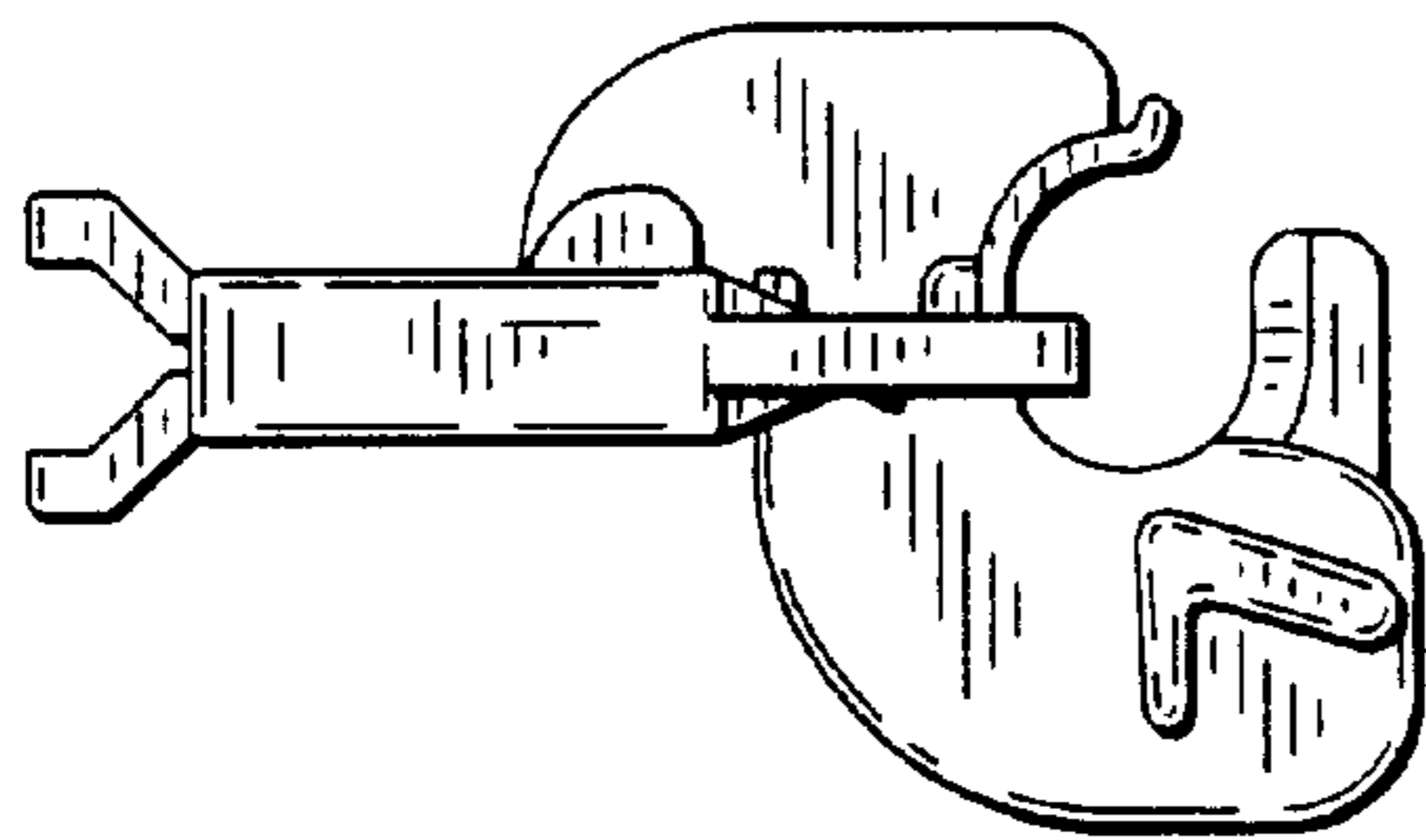
**FIG. 2**



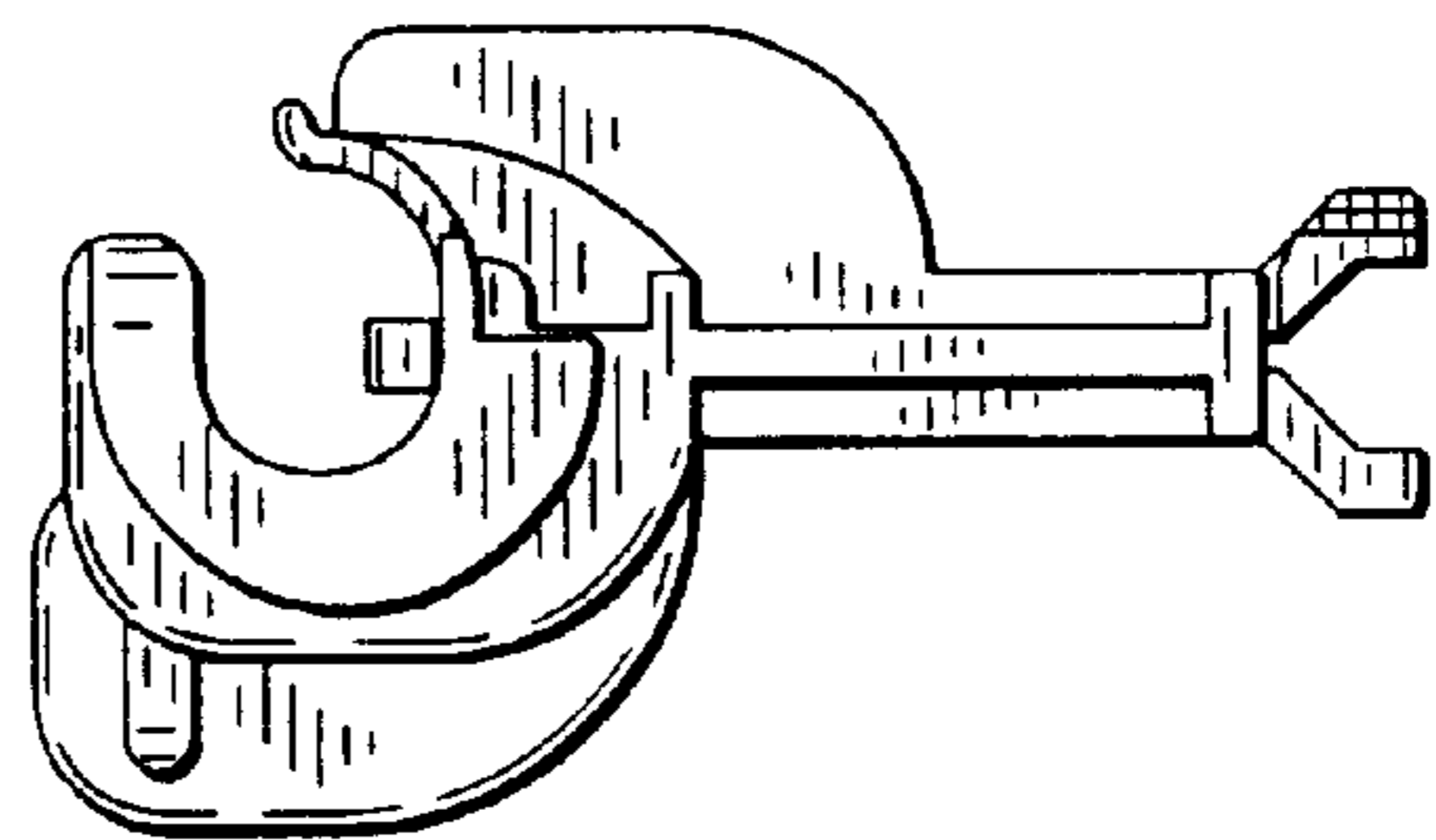
*FIG. 3*



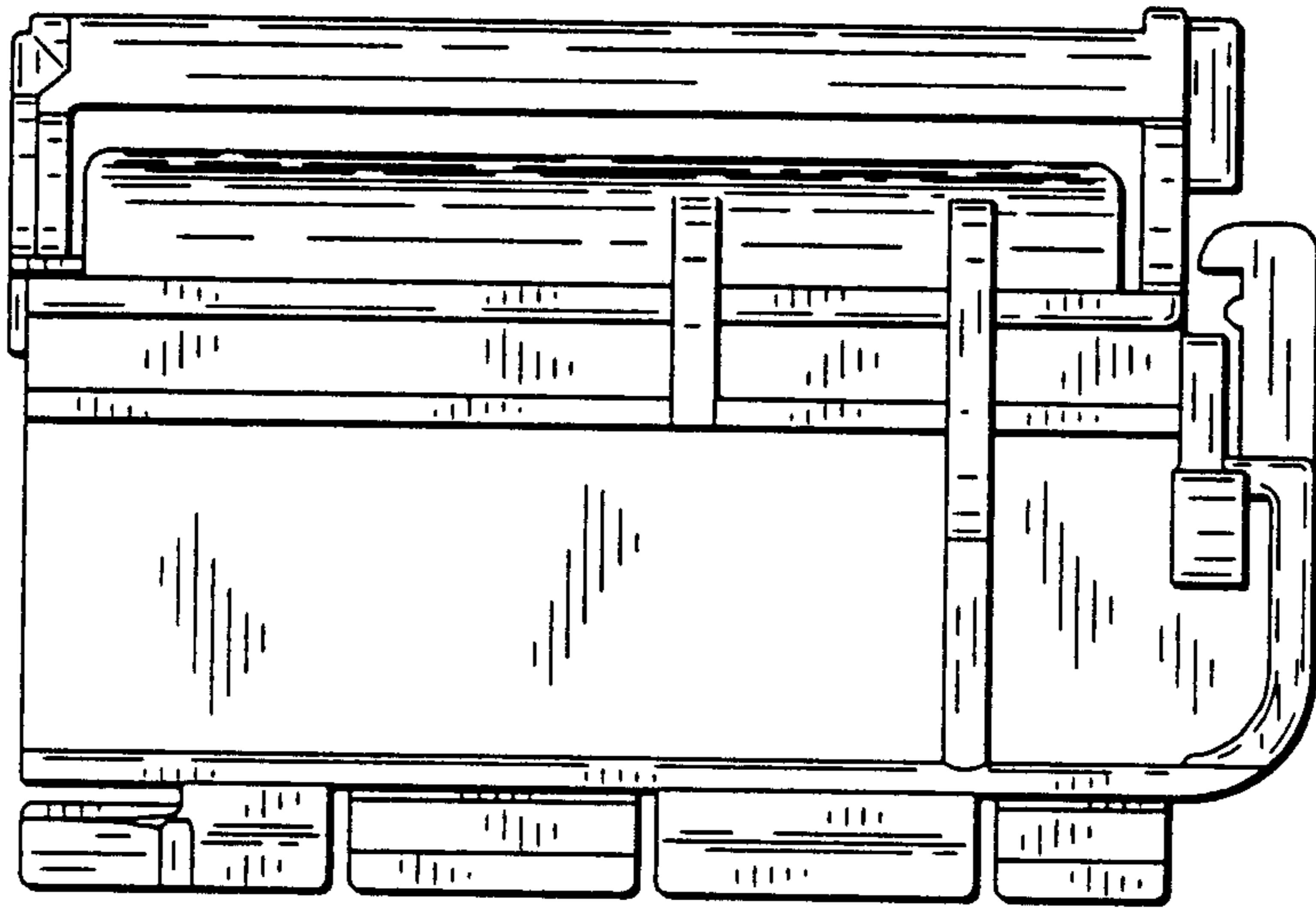
*FIG. 4*



*FIG. 5*



*FIG. 6*



*FIG. 7*

