



US00D485349S

(12) **United States Design Patent**
Burns

(10) **Patent No.:** **US D485,349 S**

(45) **Date of Patent:** **** Jan. 13, 2004**

(54) **CEILING FAN LIGHT KIT**

(75) Inventor: **James P. Burns**, Memphis, TN (US)

(73) Assignee: **Hunter Fan Company**, Memphis, TN (US)

(**) Term: **14 Years**

(21) Appl. No.: **29/178,615**

(22) Filed: **Mar. 27, 2003**

(51) **LOC (7) Cl.** **23-04**

(52) **U.S. Cl.** **D23/411**

(58) **Field of Search** D23/411, 377,
D23/379, 385; D26/59, 81-86, 88, 72;
362/96

(56) **References Cited**

U.S. PATENT DOCUMENTS

D263,510 S	*	3/1982	Nelson	D26/81
D388,214 S	*	12/1997	Miranda	D26/81
D417,028 S	*	11/1999	Dolan	D26/86
D424,679 S	*	5/2000	LaSpina	D23/377

OTHER PUBLICATIONS

Casablanca Fan Company 2001 Product Catalog p. 21, (19th Century), p. 23, (Nouvelle), and p. 33 (Delta), p. 37 (Palisades), p. 52 (Victorian), and p. 54 (Commodore Vanderbilt).

Hunter Fan Company 2002 Brochure, Chandelle Light Fixtures, Covent Garden, and Hampshire.
Sonica Catalog p. 38 and 39 (Light Kits and Fitters), p. 40, 41, 42, 43, and 44 (Glass and Center Shades).

* cited by examiner

Primary Examiner—Lisa Lichtenstein
(74) *Attorney, Agent, or Firm*—Baker Donelson

(57) **CLAIM**

The ornamental design for a ceiling fan light kit, as shown and described.

DESCRIPTION

FIG. 1 is a perspective view of a ceiling fan light kit showing my new design.

FIG. 2 is a front view thereof, the rear view being a mirror image thereof.

FIG. 3 is a left side view thereof.

FIG. 4 is a rear view thereof.

FIG. 5 is a right side view thereof.

FIG. 6 is a bottom view thereof; and,

FIG. 7 is a top view thereof.

The broken lines in the views show environmental features which are for illustrative purposes only and form no part of the claimed design.

1 Claim, 4 Drawing Sheets

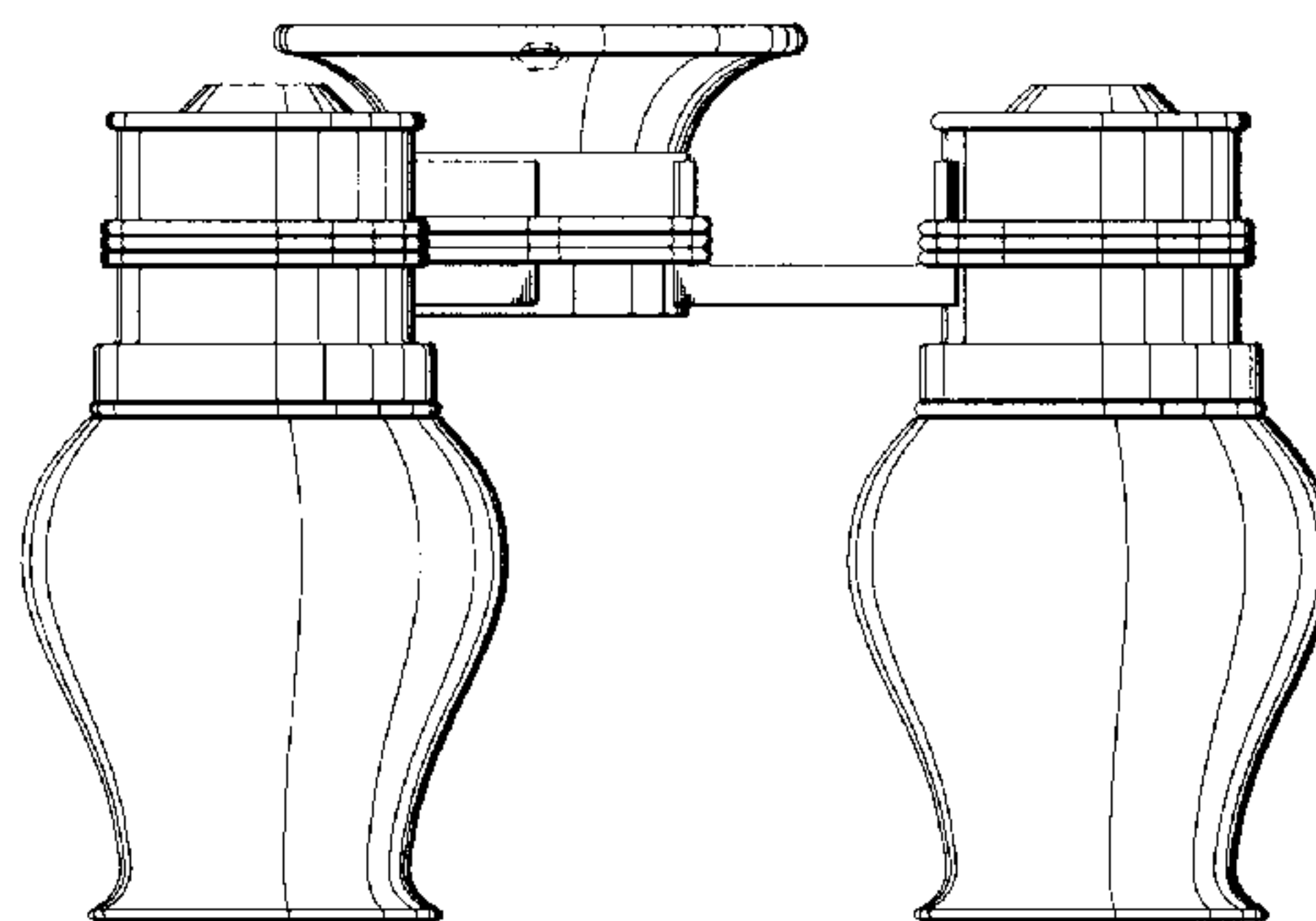
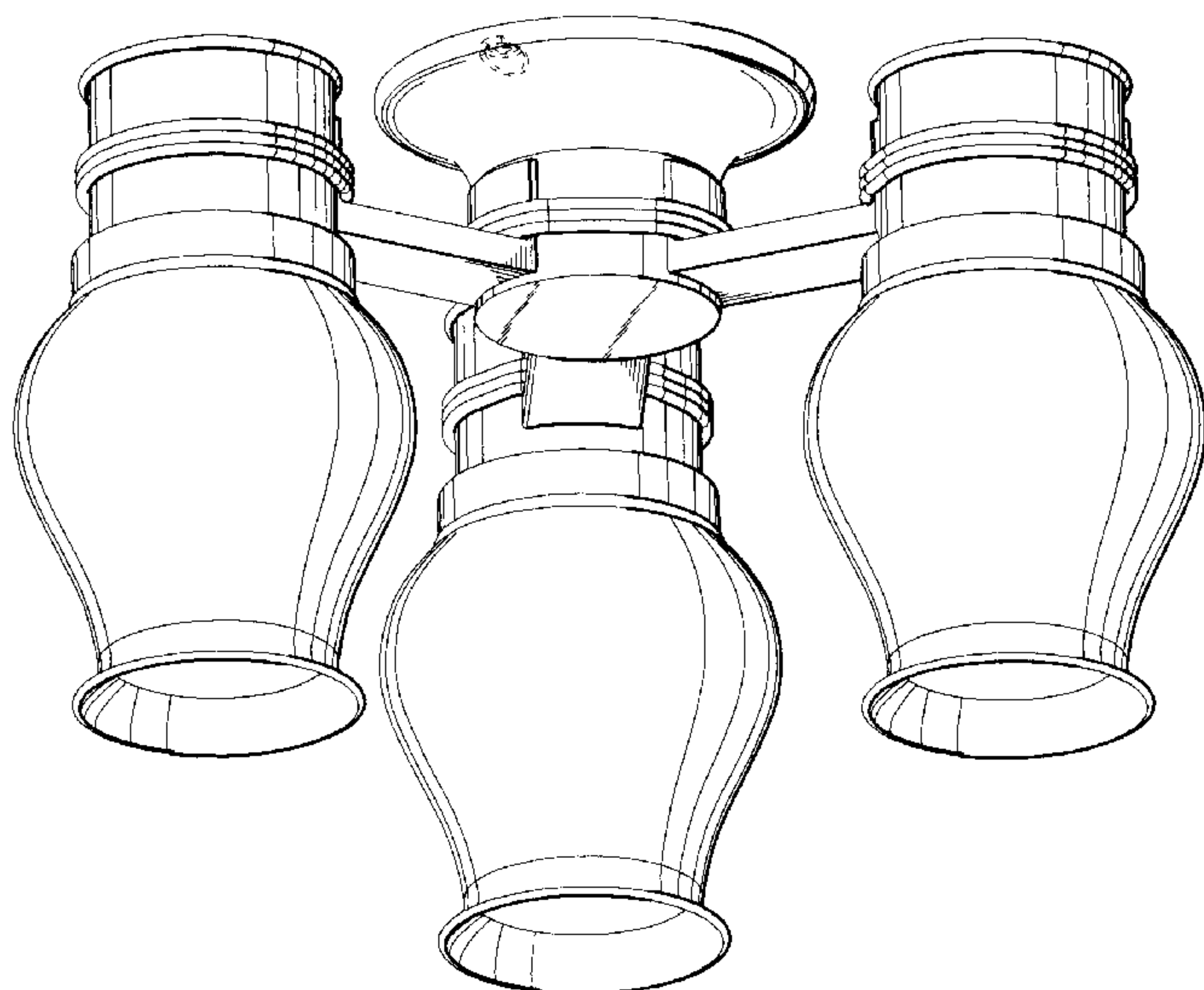


Fig. 1

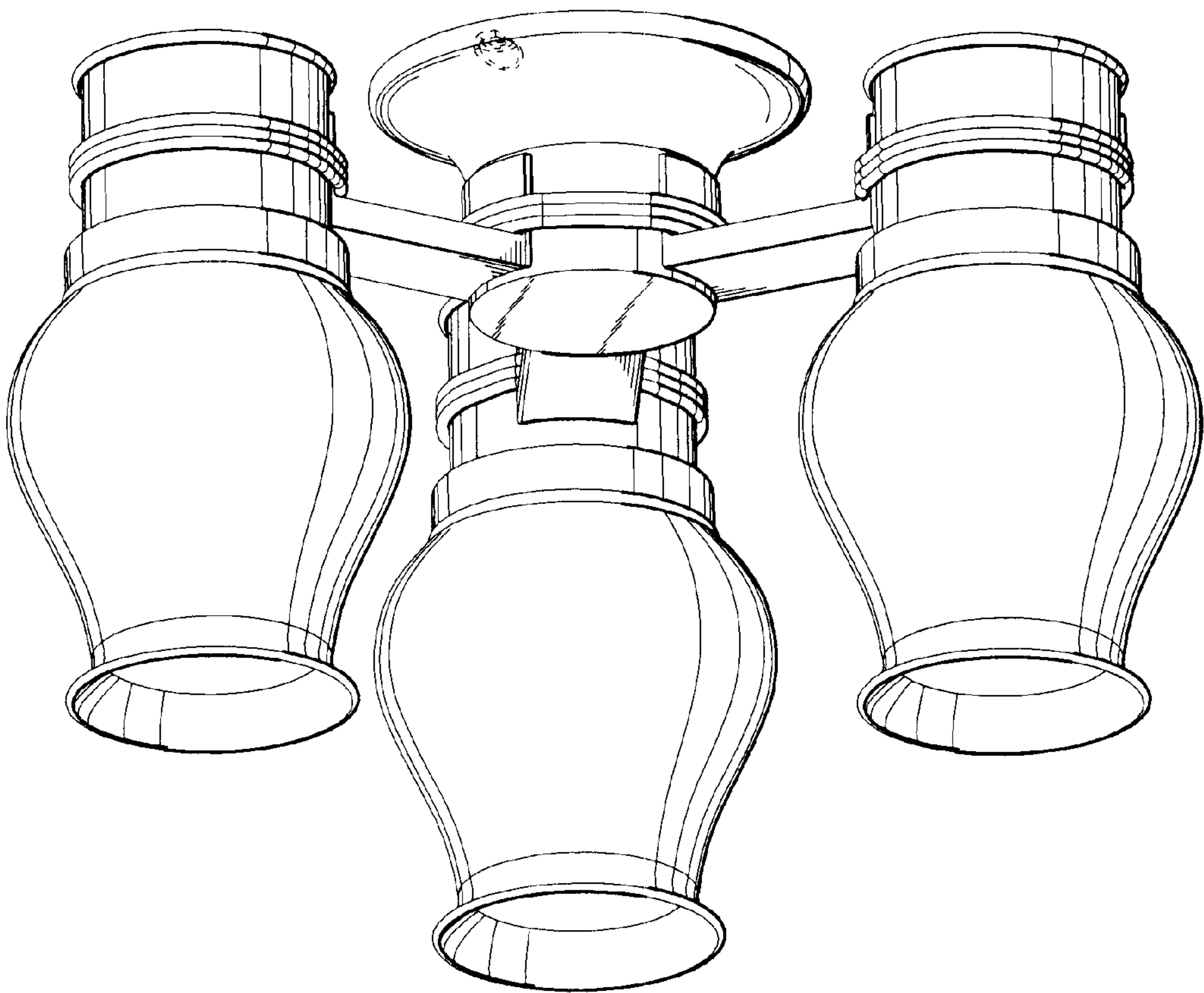


Fig. 2

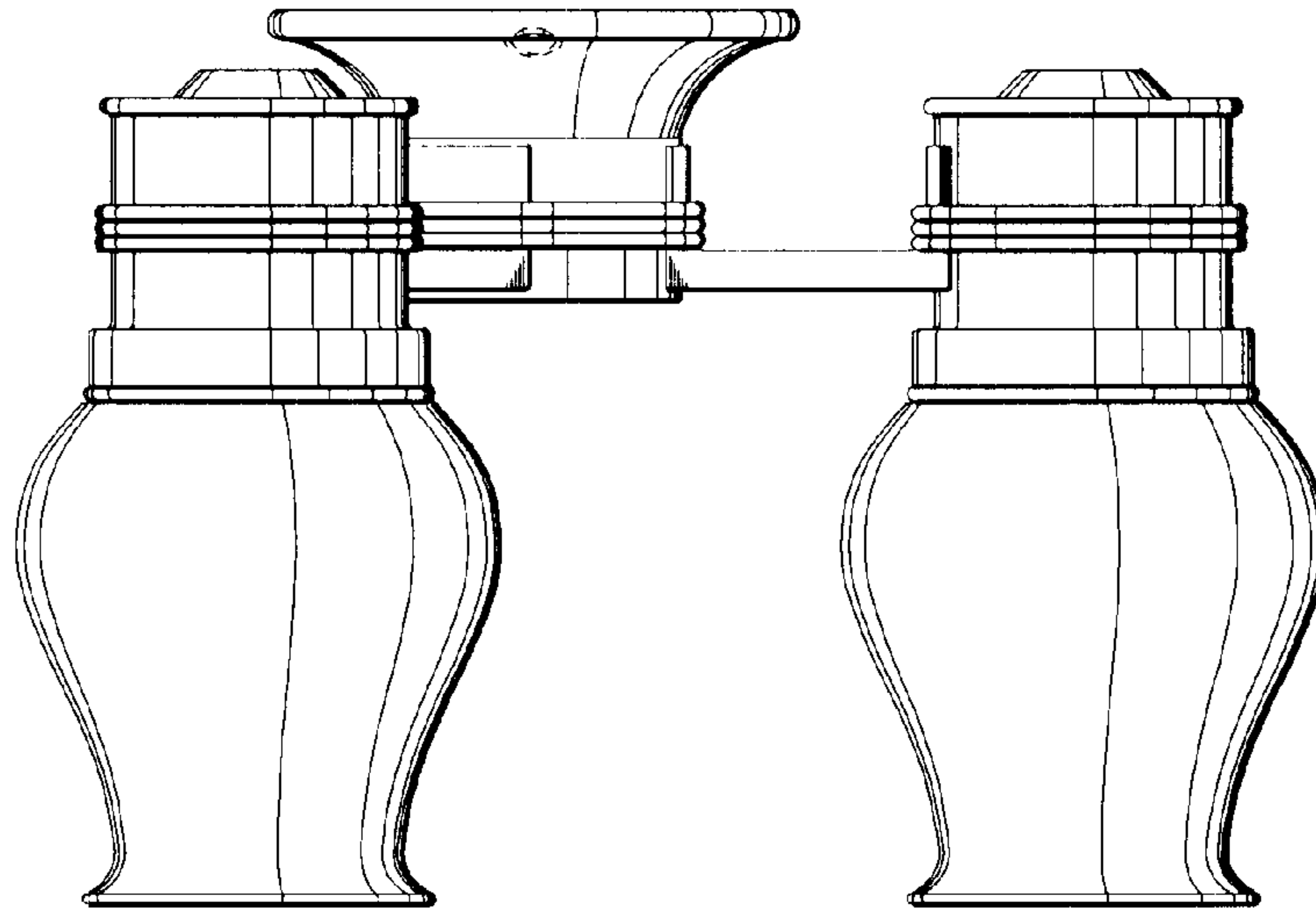


Fig. 3

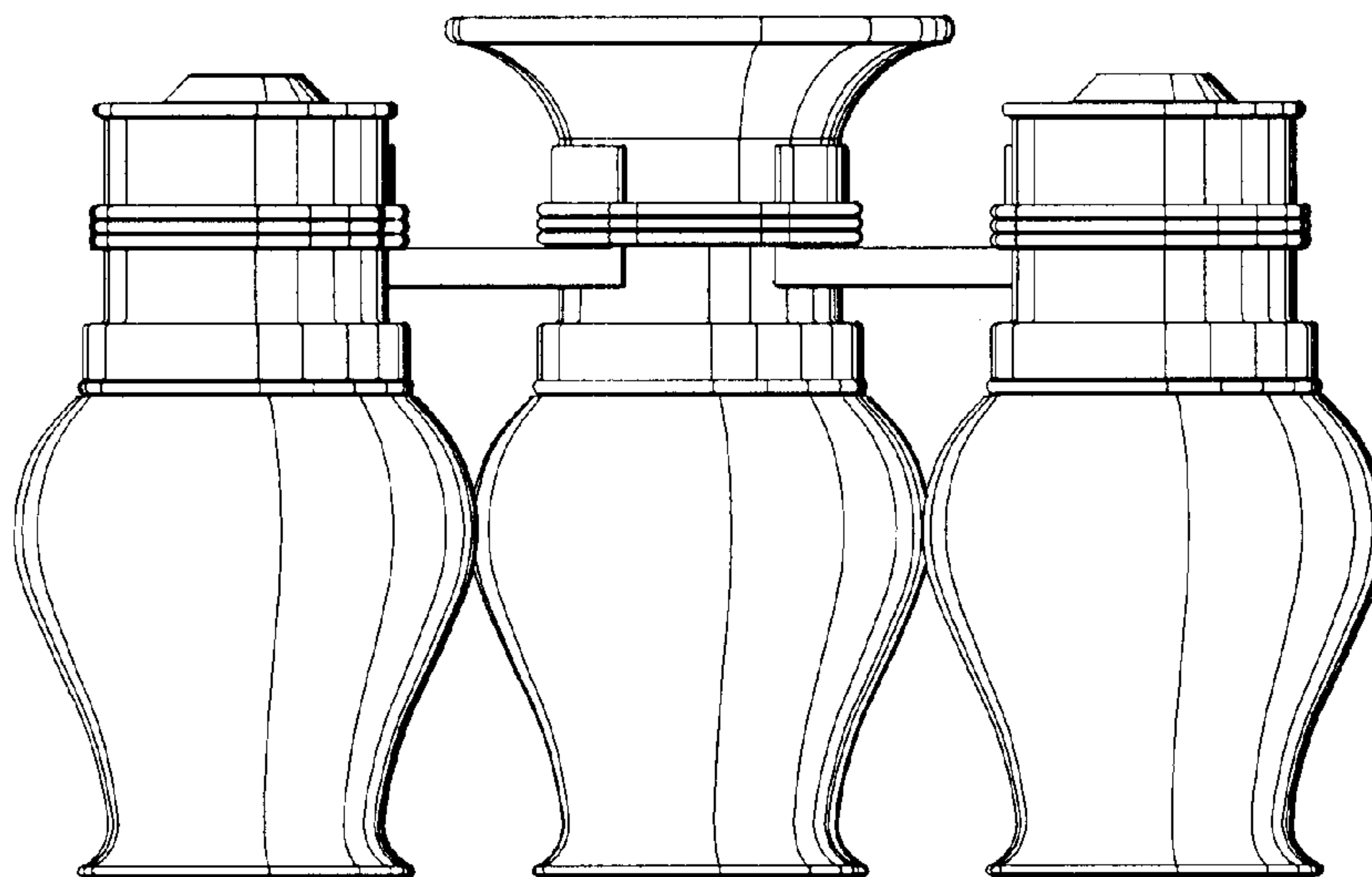


Fig. 4

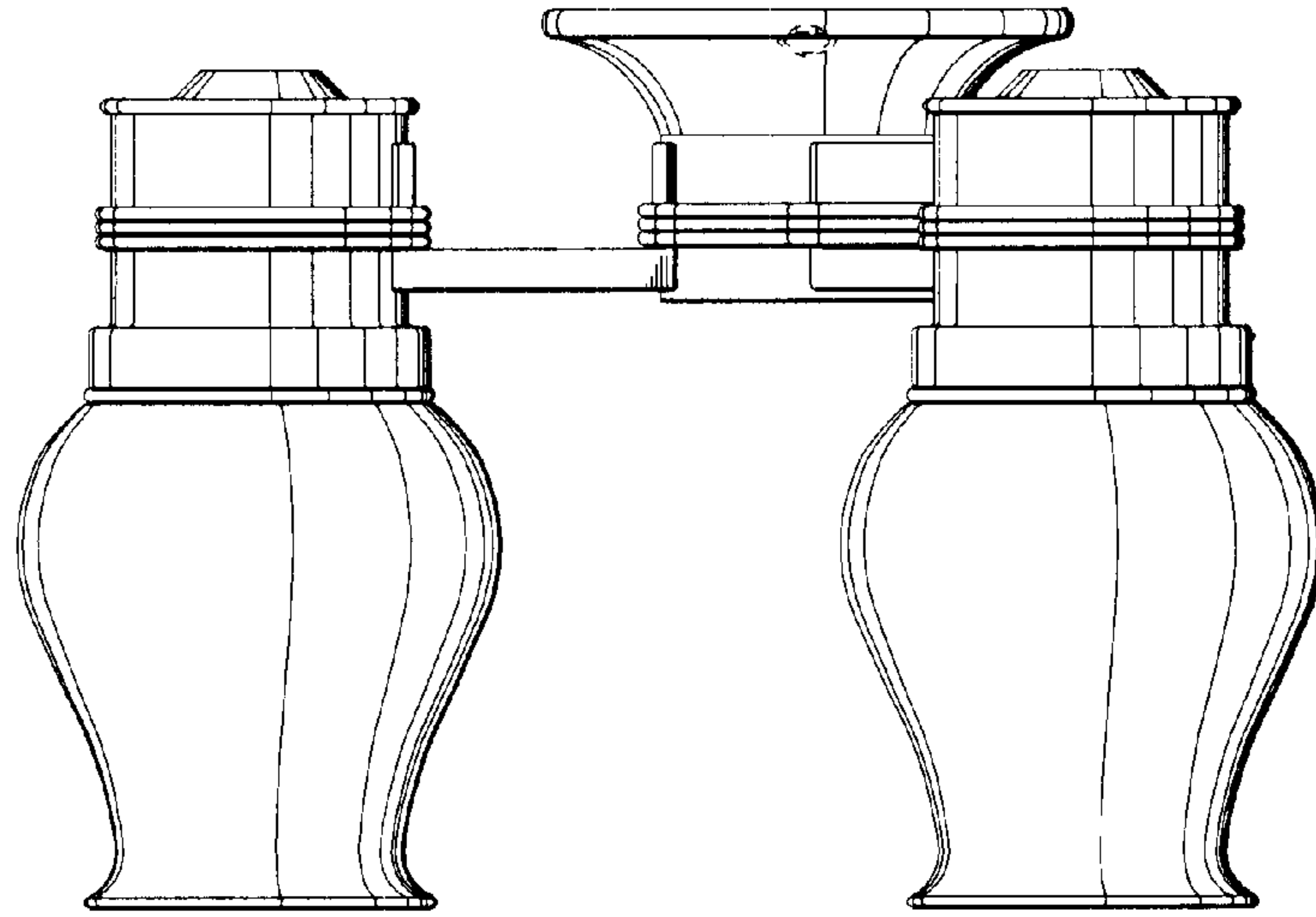


Fig. 5

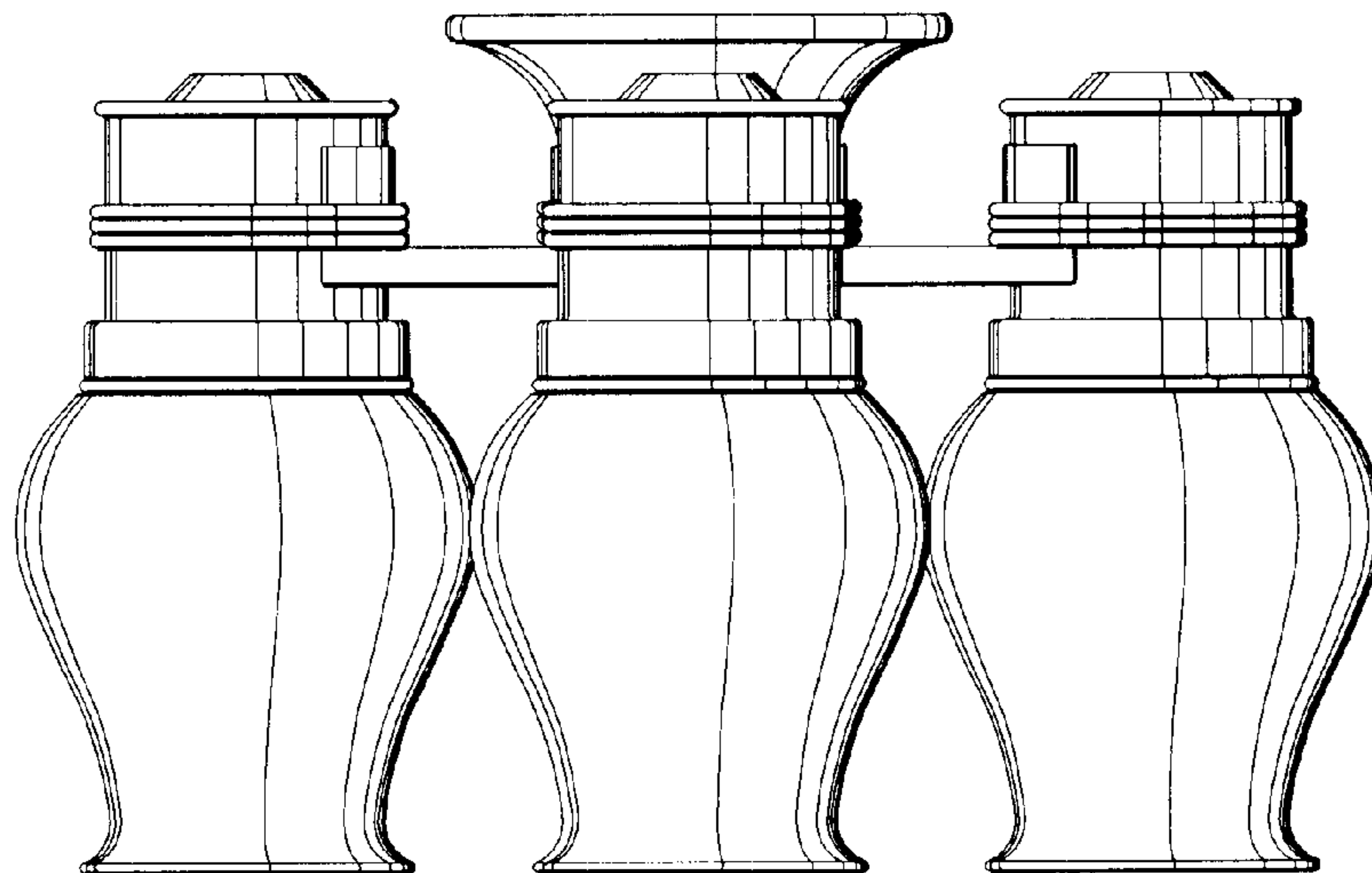


Fig. 6

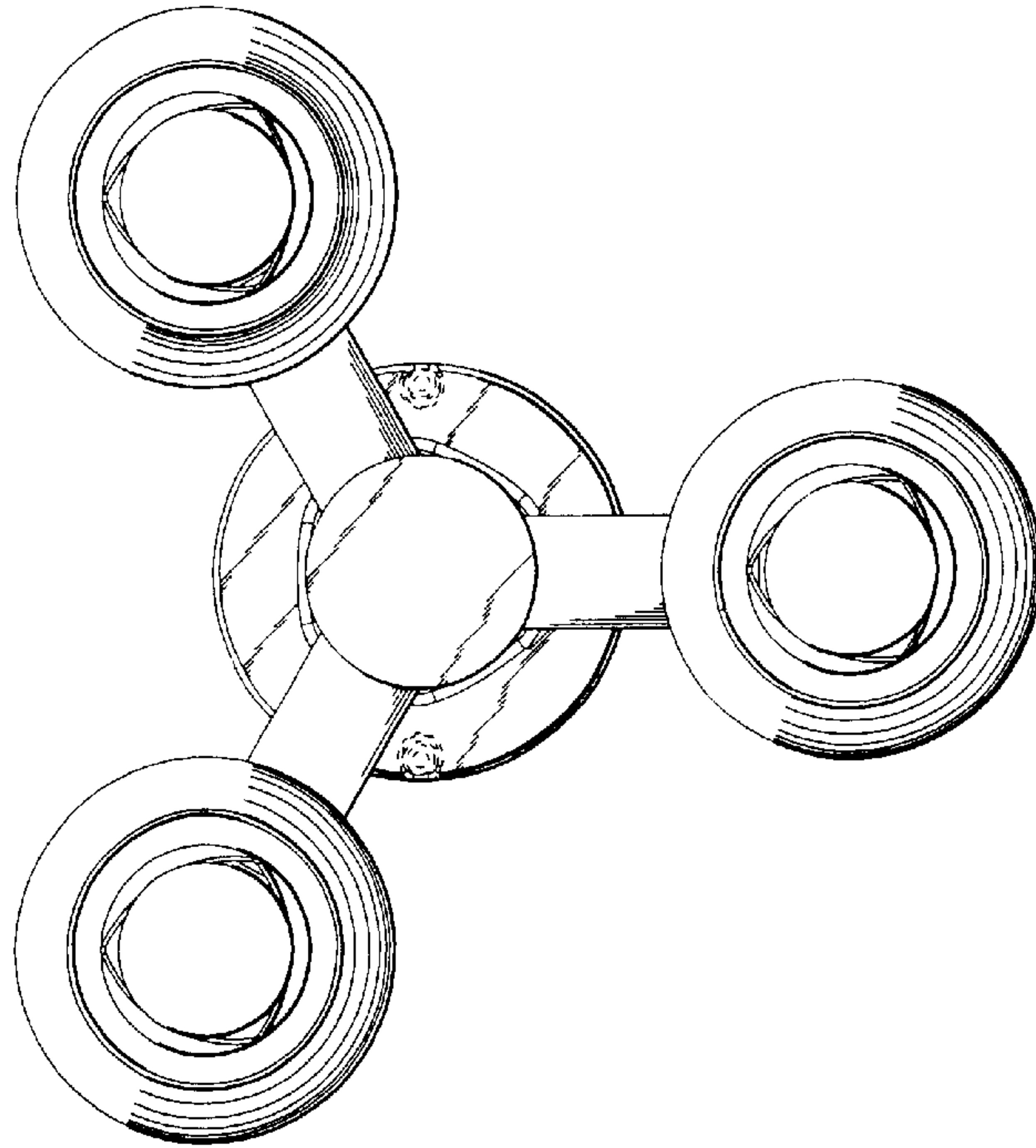


Fig. 7

