



US00D485348S

(12) **United States Design Patent**
Stauffer

(10) **Patent No.:** **US D485,348 S**

(45) **Date of Patent:** **** Jan. 13, 2004**

(54) **CEILING FAN MOTOR HOUSING**

(75) Inventor: **Michael J. Stauffer**, Memphis, TN
(US)

(73) Assignee: **Hunter Fan Company**, Memphis, TN
(US)

(**) Term: **14 Years**

(21) Appl. No.: **29/177,359**

(22) Filed: **Mar. 6, 2003**

(51) **LOC (7) Cl.** **23-04**

(52) **U.S. Cl.** **D23/411**

(58) **Field of Search** D23/411, 377,
D23/379, 385, 413; 416/5; 392/364

(56) **References Cited**

U.S. PATENT DOCUMENTS

D434,133 S * 11/2000 Johnson D23/411
D437,046 S * 1/2001 Tsuji D23/411

OTHER PUBLICATIONS

Casablanca Fan Company 2002 Product Catalog p. 22 and
23 (19th Century), p. 34 and 35 (Ventura).

Hunter Fan Company 2002 Brochure, Covent Garden and
Turin.

* cited by examiner

Primary Examiner—Lisa Lichtenstein
(74) *Attorney, Agent, or Firm*—Baker Donelson

(57) **CLAIM**

The ornamental design for a ceiling fan motor housing, as
shown and described.

DESCRIPTION

FIG. 1 is a perspective view of a ceiling fan motor housing
showing my new design.

FIG. 2 is a left side view thereof.

FIG. 3 is a front view thereof.

FIG. 4 is a rear thereof.

FIG. 5 is a right side view thereof.

FIG. 6 is a top view thereof; and,

FIG. 7 is a bottom view thereof.

The phantom lines are to indicate environment only and are
not intended to form a part of the claimed design.

1 Claim, 4 Drawing Sheets

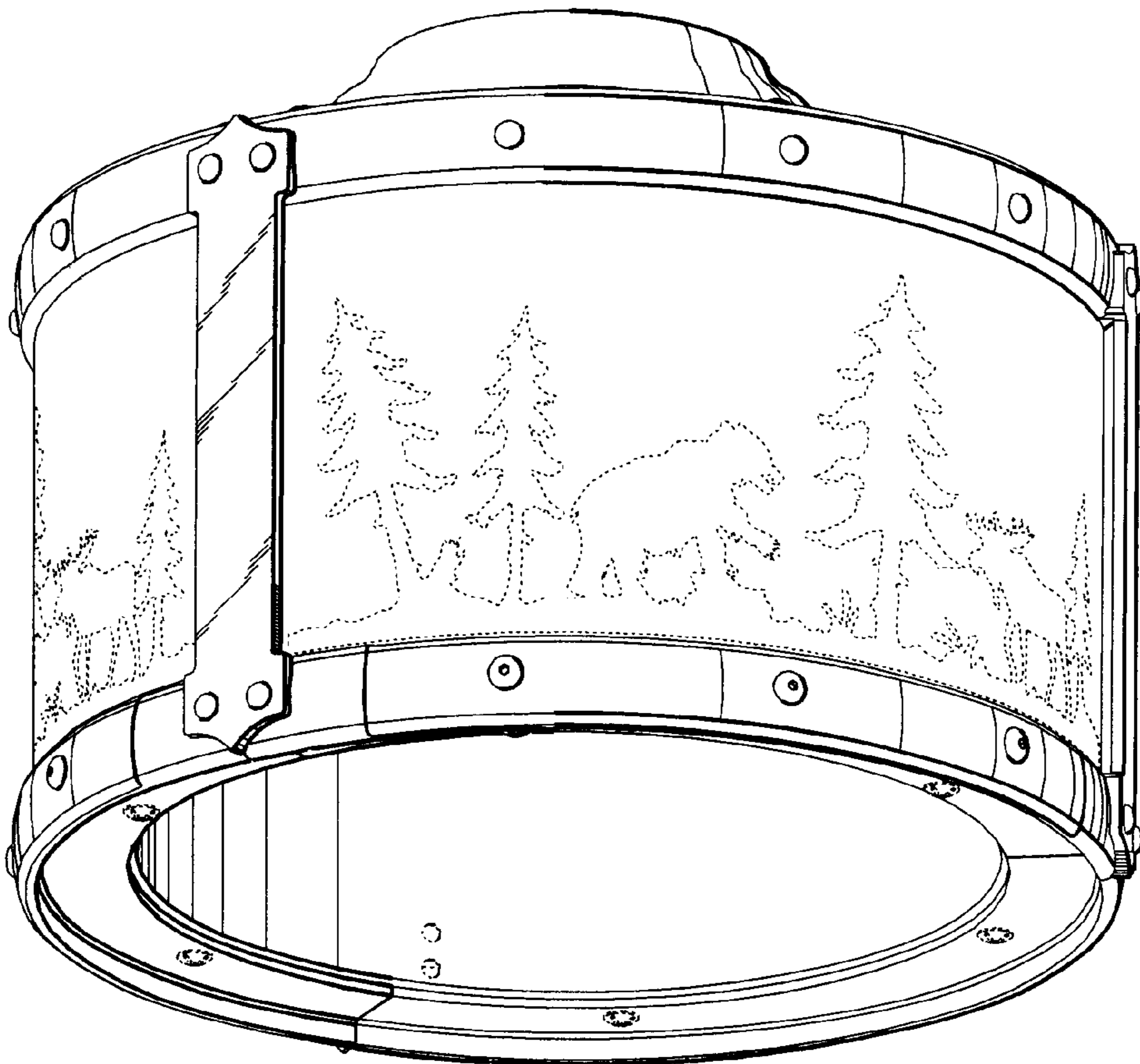


Fig. 1

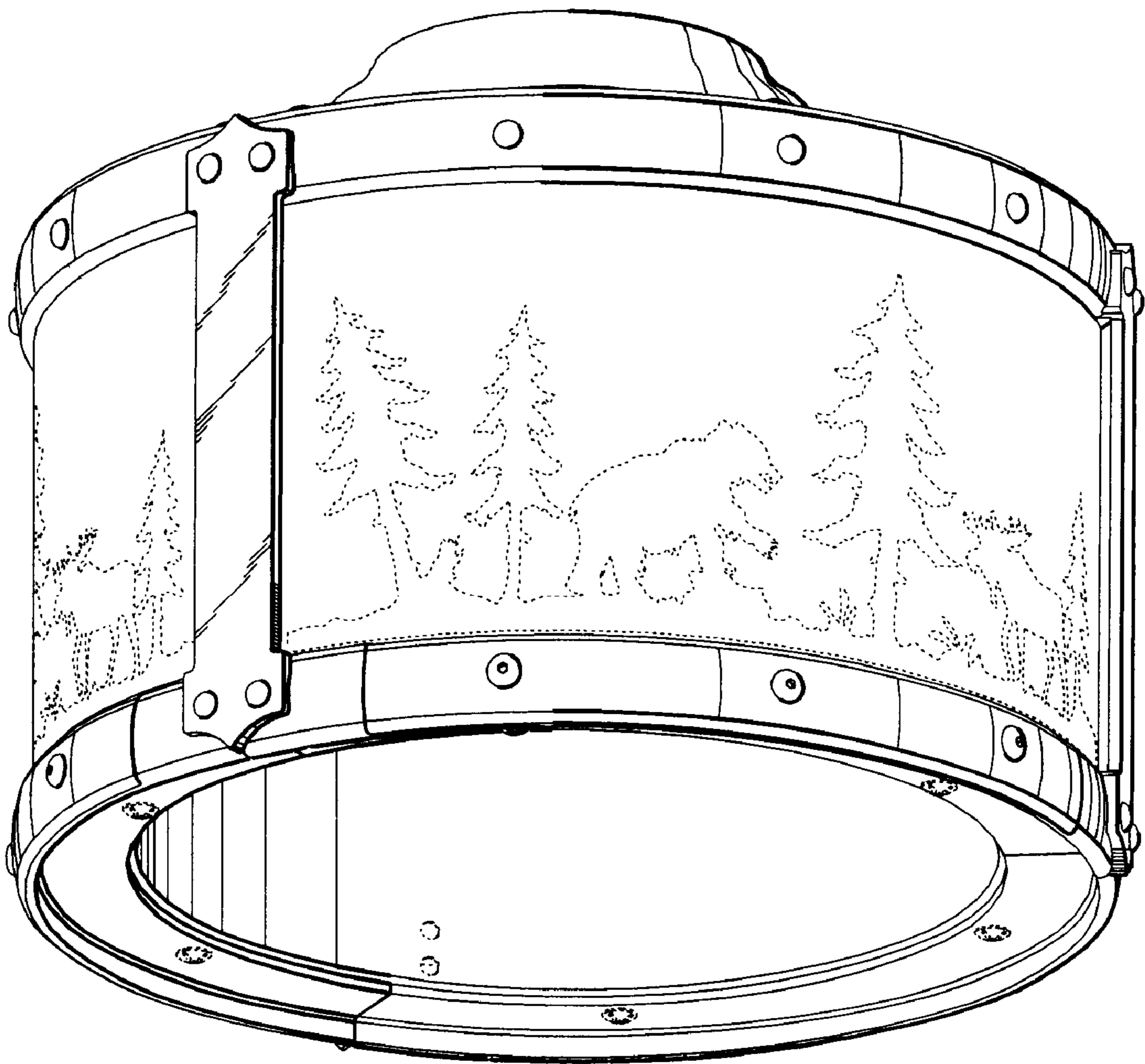


Fig. 2

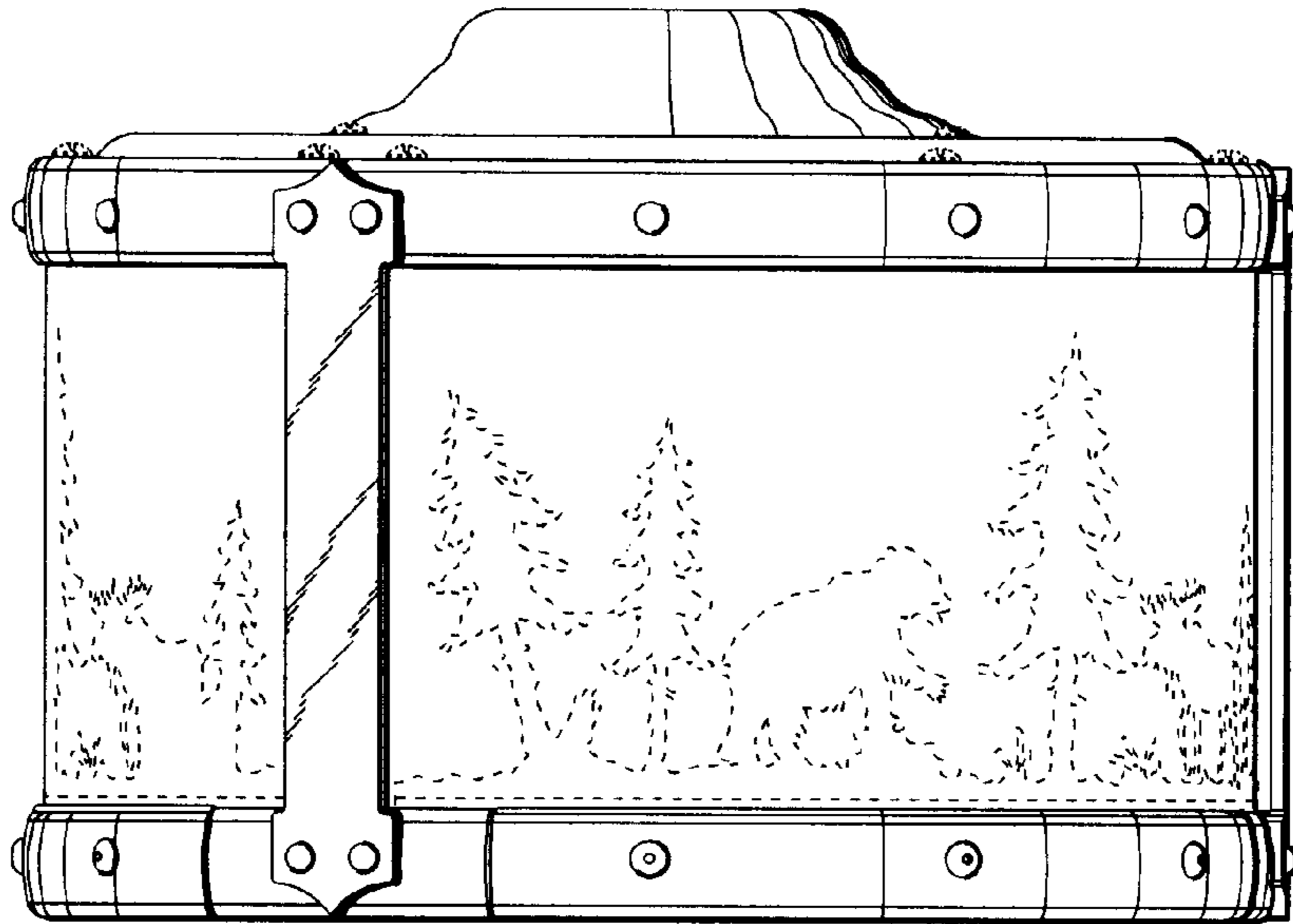


Fig. 3

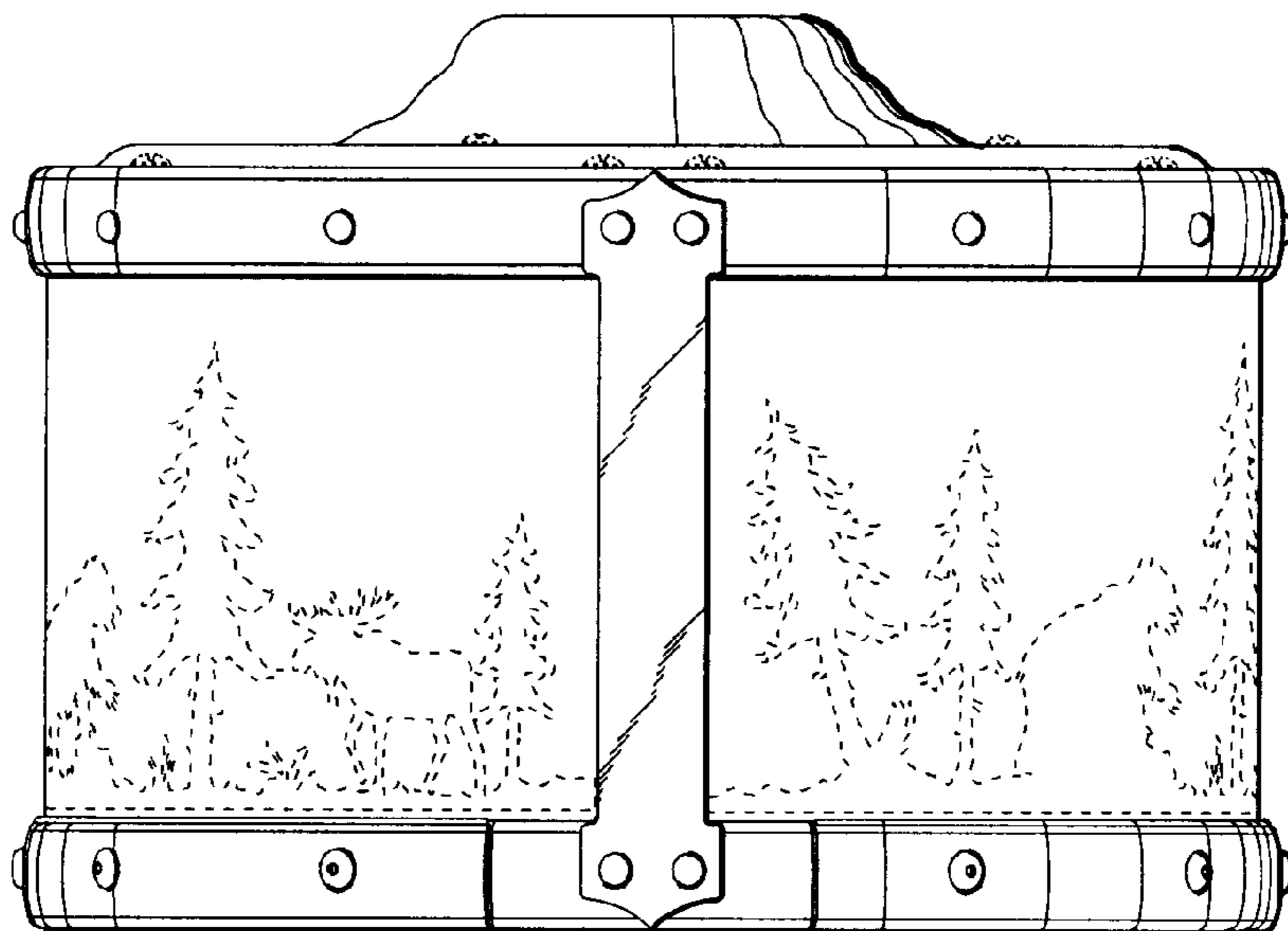


Fig. 4

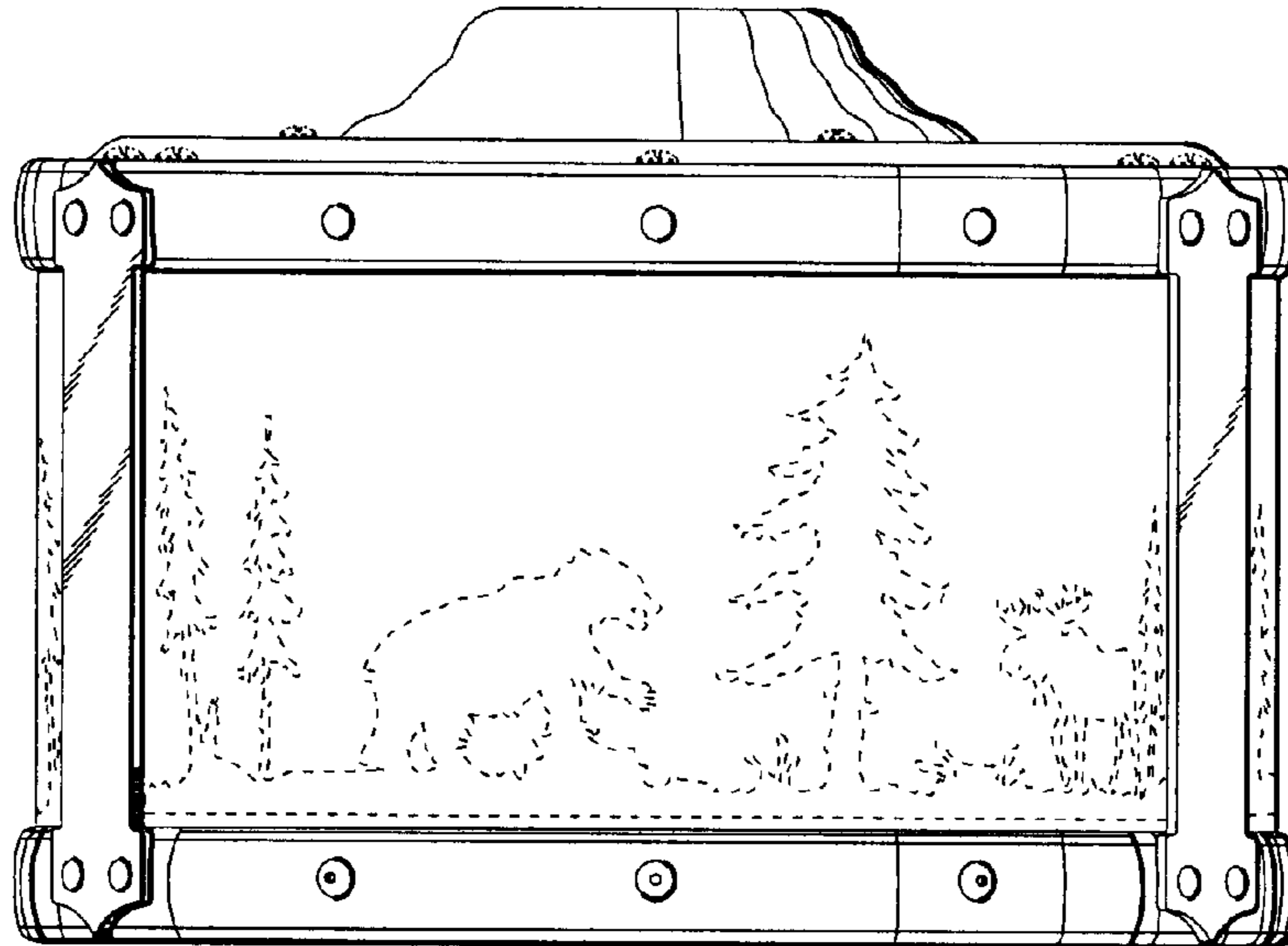


Fig. 5

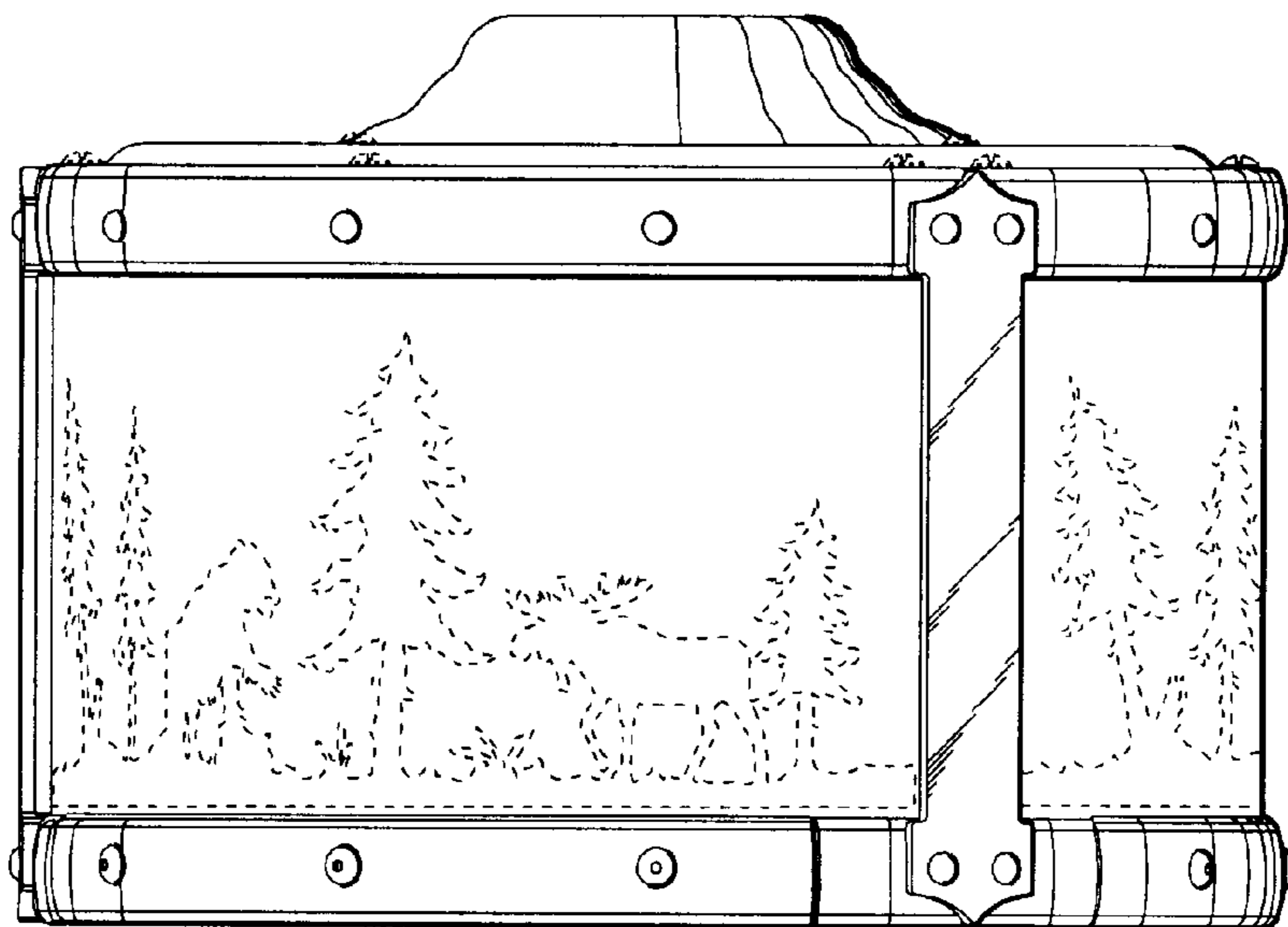


Fig. 6

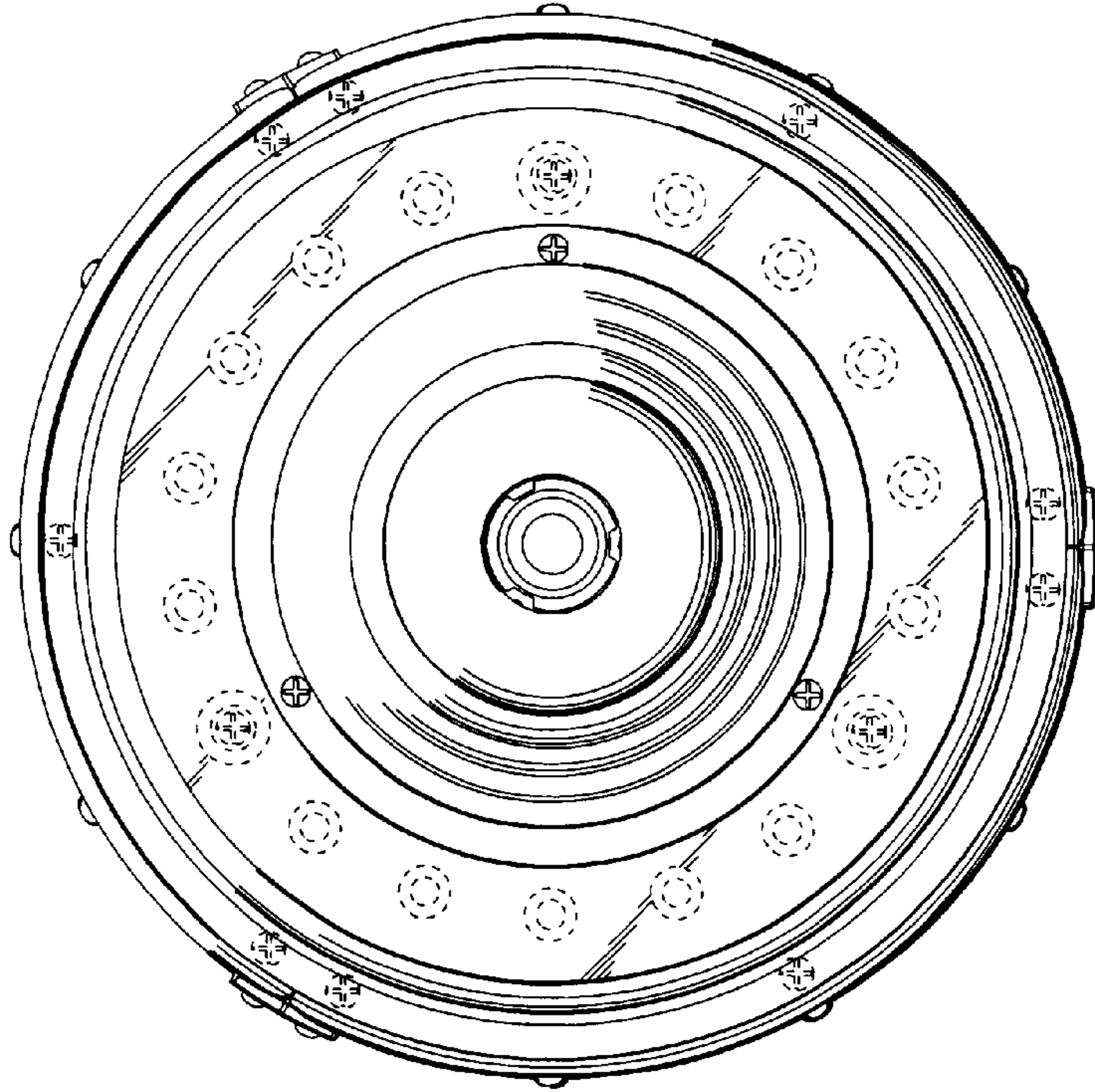


Fig. 7

