



US00D485347S

(12) **United States Design Patent**
Bucher et al.

(10) **Patent No.:** **US D485,347 S**

(45) **Date of Patent:** **** Jan. 13, 2004**

(54) **COMBINED CEILING FAN BLADES,
MOTOR HOUSING, LIGHT DOME AND
CANOPY**

D451,997 S 12/2001 Schwartz D23/413
D469,950 S 2/2003 Scalise D3/3
D480,471 S * 10/2003 Hsieh D23/411

(75) Inventors: **Charles E. Bucher**, Valrico, FL (US);
John C. Bucher, Ft. Lauderdale, FL
(US); **Scott Searle**, Wan Chai (HK)

* cited by examiner

Primary Examiner—Lisa Lichtenstein

(73) Assignee: **King of Fans, Inc.**, Ft. Lauderdale, FL
(US)

(74) *Attorney, Agent, or Firm*—Brian S. Steinberger; Law
Offices of Brian S. Steinberger, P.A.

(**) Term: **14 Years**

(57) **CLAIM**

(21) Appl. No.: **29/183,409**

The ornamental design of a combined ceiling fan blades,
motor housing, light dome and canopy, as shown and
described.

(22) Filed: **Jun. 11, 2003**

DESCRIPTION

(51) **LOC (7) Cl.** **23-04**

FIG. 1 is a perspective bottom view of the combined ceiling
fan blades, motor housing, light dome and canopy.

(52) **U.S. Cl.** **D23/377**

FIG. 2 is a perspective top view of the combined ceiling fan
blades, motor housing, light dome and canopy.

(58) **Field of Search** D23/377, 379,
D23/385, 411, 413; 416/5; 392/364

FIG. 3 is a bottom view of the combined ceiling fan blades,
motor housing, light dome and canopy.

(56) **References Cited**

FIG. 4 is a top view of the combined ceiling fan blades,
motor housing, light dome and canopy; and,

U.S. PATENT DOCUMENTS

FIG. 5 is a side view of the combined ceiling fan blades,
motor housing, light dome and canopy.

D371,838 S * 7/1996 Davis et al. D23/411
D421,799 S * 3/2000 Zuege D23/411
D422,072 S * 3/2000 Blateri D23/377

1 Claim, 5 Drawing Sheets

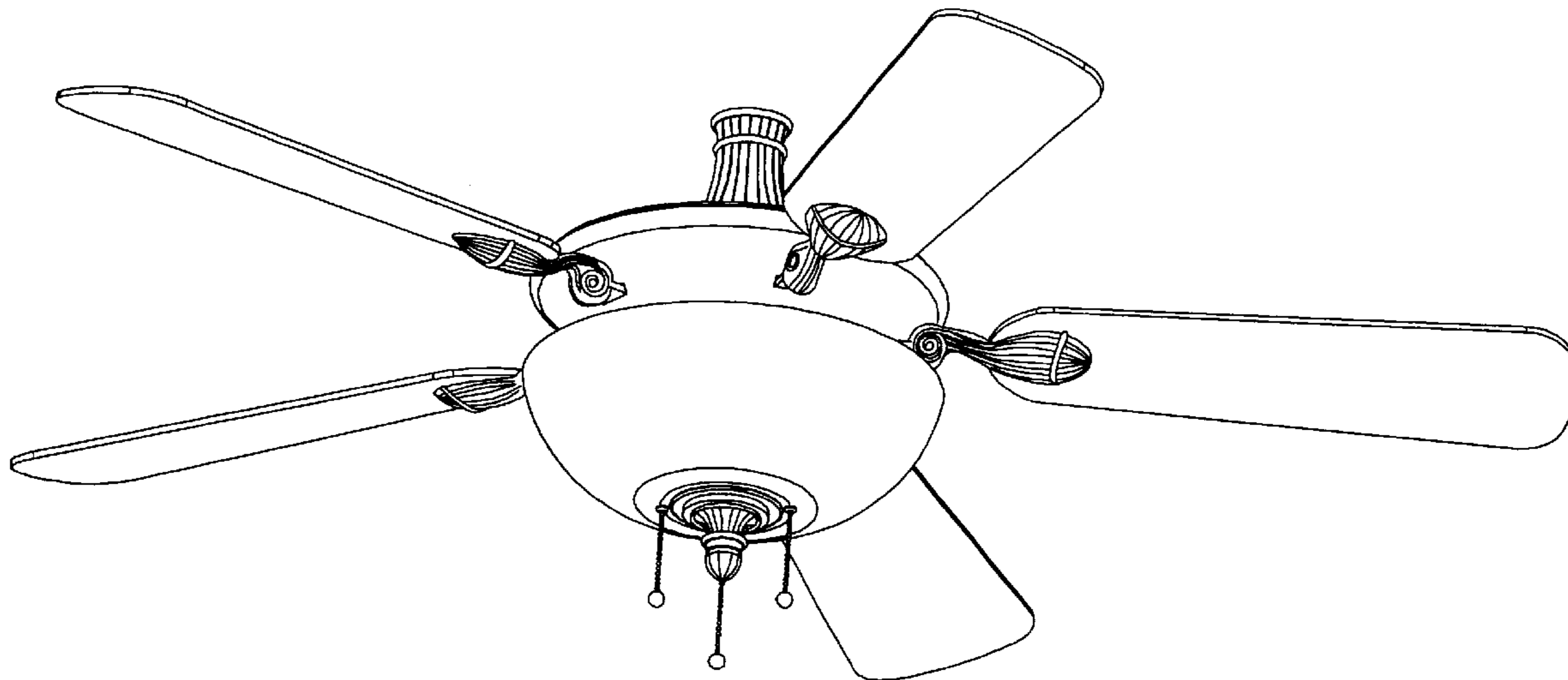


FIG. 1

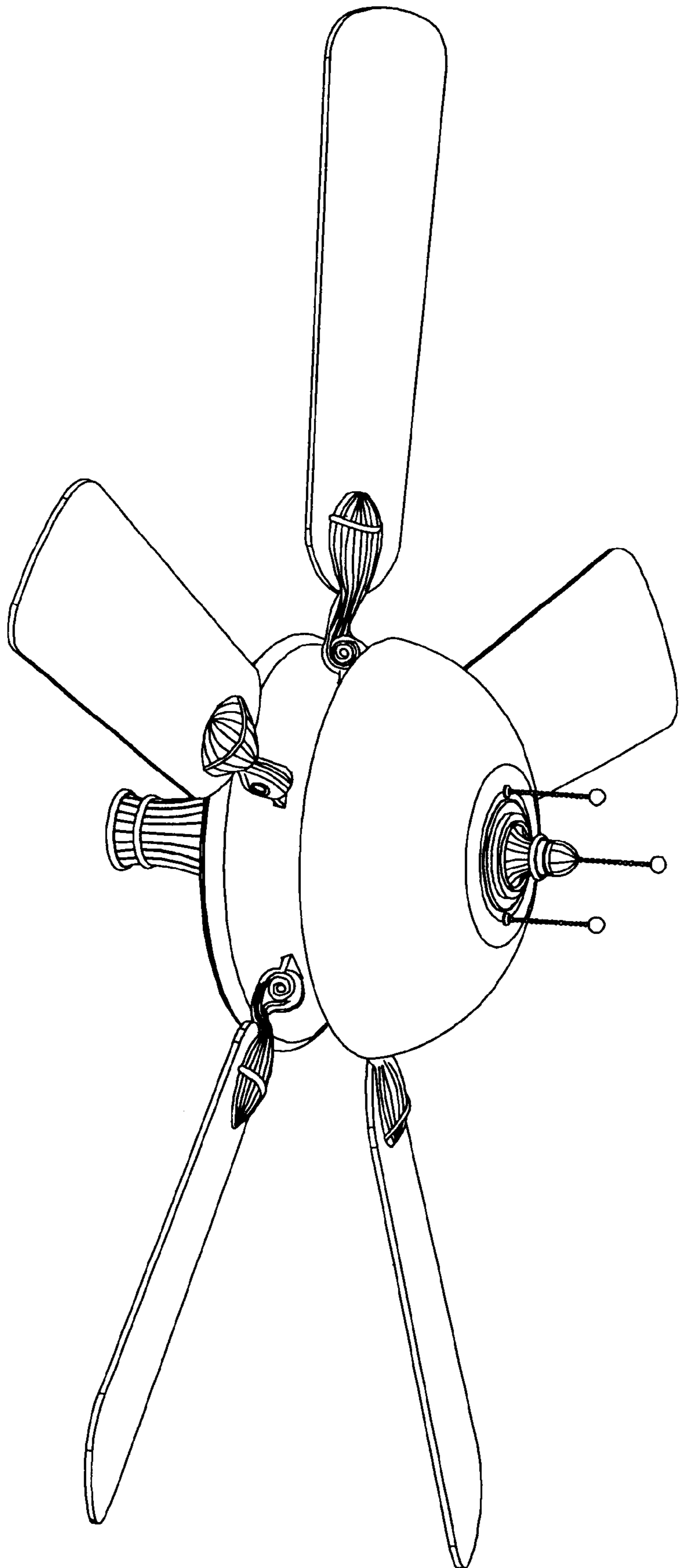


FIG. 2

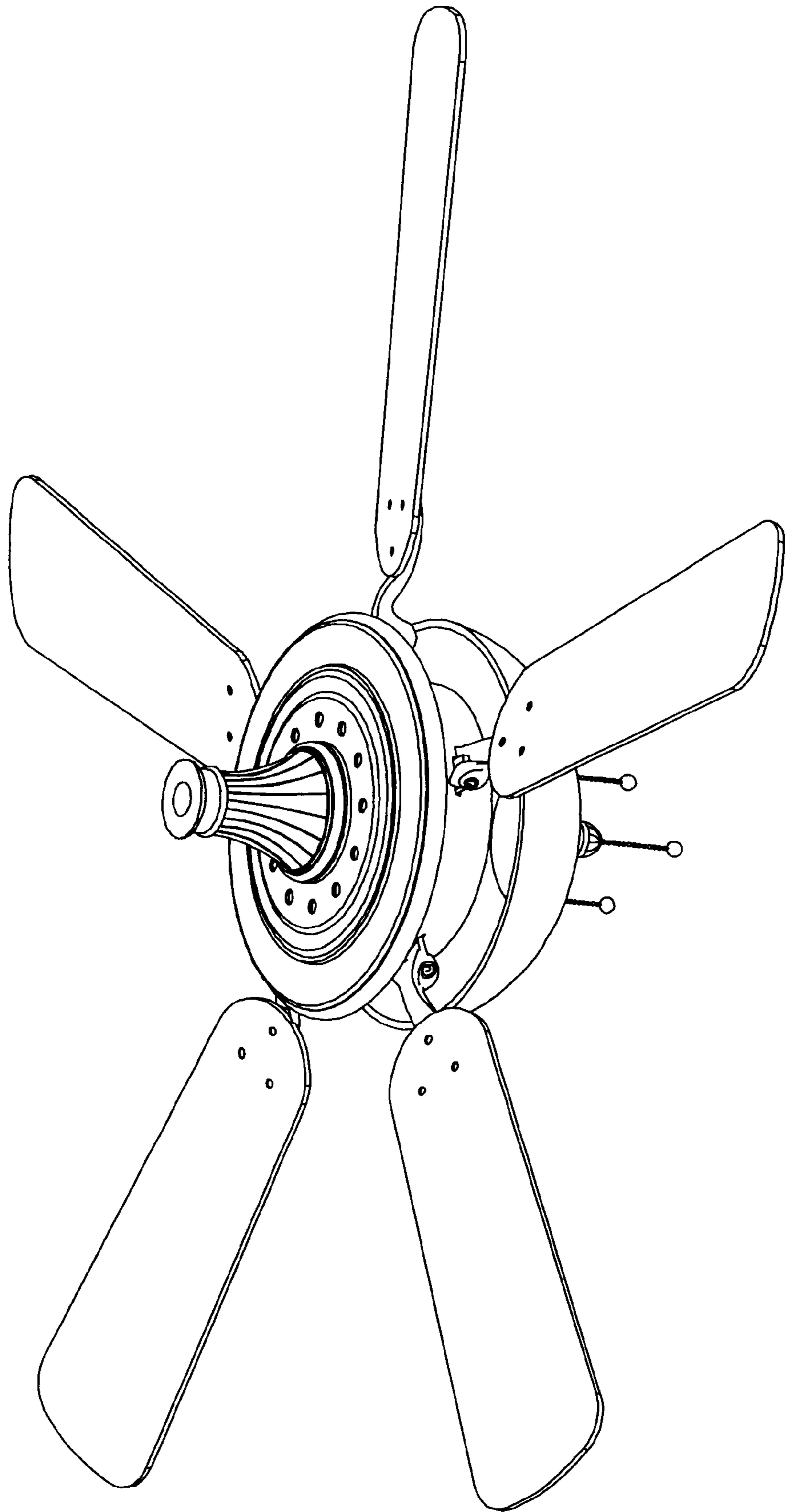


FIG. 3

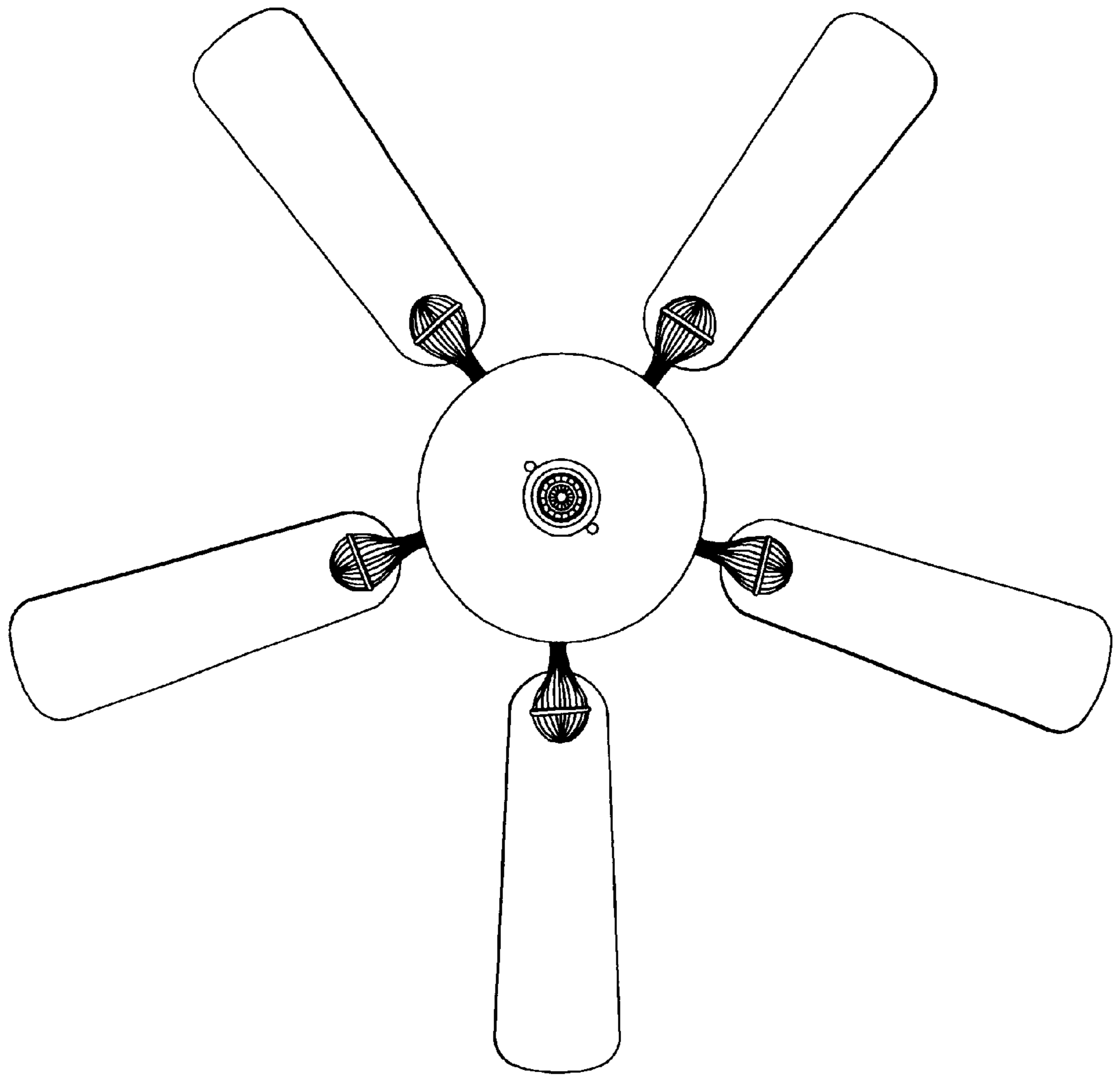


FIG. 4

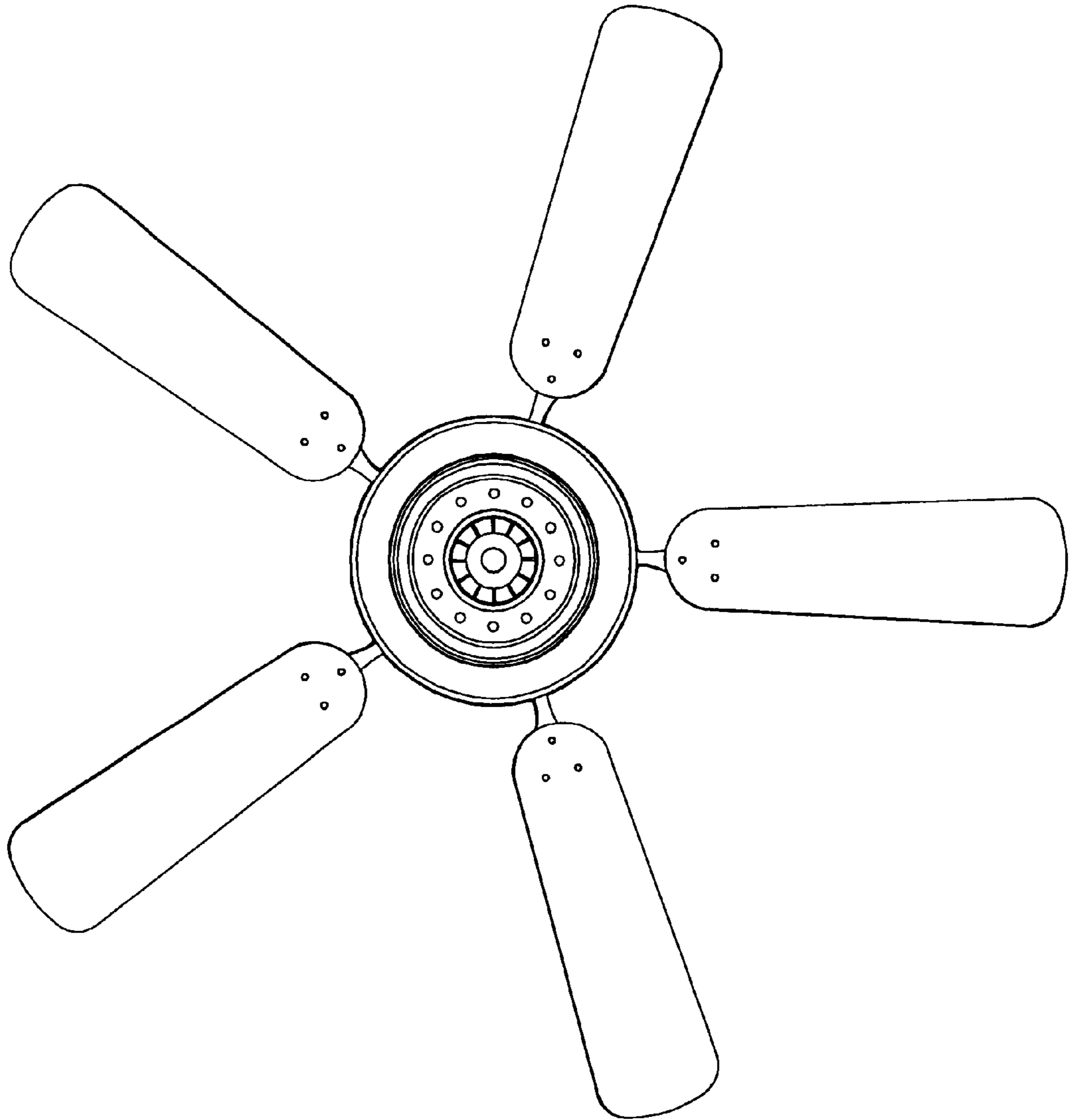


FIG. 5

