



US00D485346S

(12) **United States Design Patent**
Bucher et al.

(10) **Patent No.:** **US D485,346 S**

(45) **Date of Patent:** **** Jan. 13, 2004**

(54) **COMBINED CEILING FAN AND LIGHT
FIXTURE**

D451,997 S 12/2001 Schwartz D23/413
D469,950 S 2/2003 Scalise D3/3

(75) Inventors: **Charles E. Bucher**, Valrico, FL (US);
John C. Bucher, Ft. Lauderdale, FL
(US); **Scott Searle**, Wan Chai (HK)

* cited by examiner

Primary Examiner—Lisa Lichtenstein
(74) *Attorney, Agent, or Firm*—Brian S. Steinberger; Law
offices of Brian S. Steinberger, P.A.

(73) Assignee: **King of Fans, Inc.**, Ft. Lauderdale, FL
(US)

(57) **CLAIM**

(**) Term: **14 Years**

The ornamental design of a combined ceiling fan and light
fixture, as shown and described.

(21) Appl. No.: **29/183,374**

DESCRIPTION

(22) Filed: **Jun. 11, 2003**

(51) **LOC (7) Cl.** **23-04**

(52) **U.S. Cl.** **D23/377**

(58) **Field of Search** D23/377, 379,
D23/385, 411, 413; 416/5; D26/59, 72,
81-88; 392/364; 362/96

FIG. 1 is a perspective bottom view of the combined ceiling
fan and light fixture.

FIG. 2 is a perspective top view of the combined ceiling fan
and light fixture.

FIG. 3 is a bottom view of the ceiling fan on a reduced scale.

FIG. 4 is a top view of the ceiling fan on a reduced scale;
and,

FIG. 5 is a side view of the ceiling fan on a reduced scale,
the other sides being substantially identical except for the
position of the blades.

(56) **References Cited**

U.S. PATENT DOCUMENTS

D364,224 S * 11/1995 Wang D23/377
D408,518 S * 4/1999 Liu D23/377

1 Claim, 5 Drawing Sheets

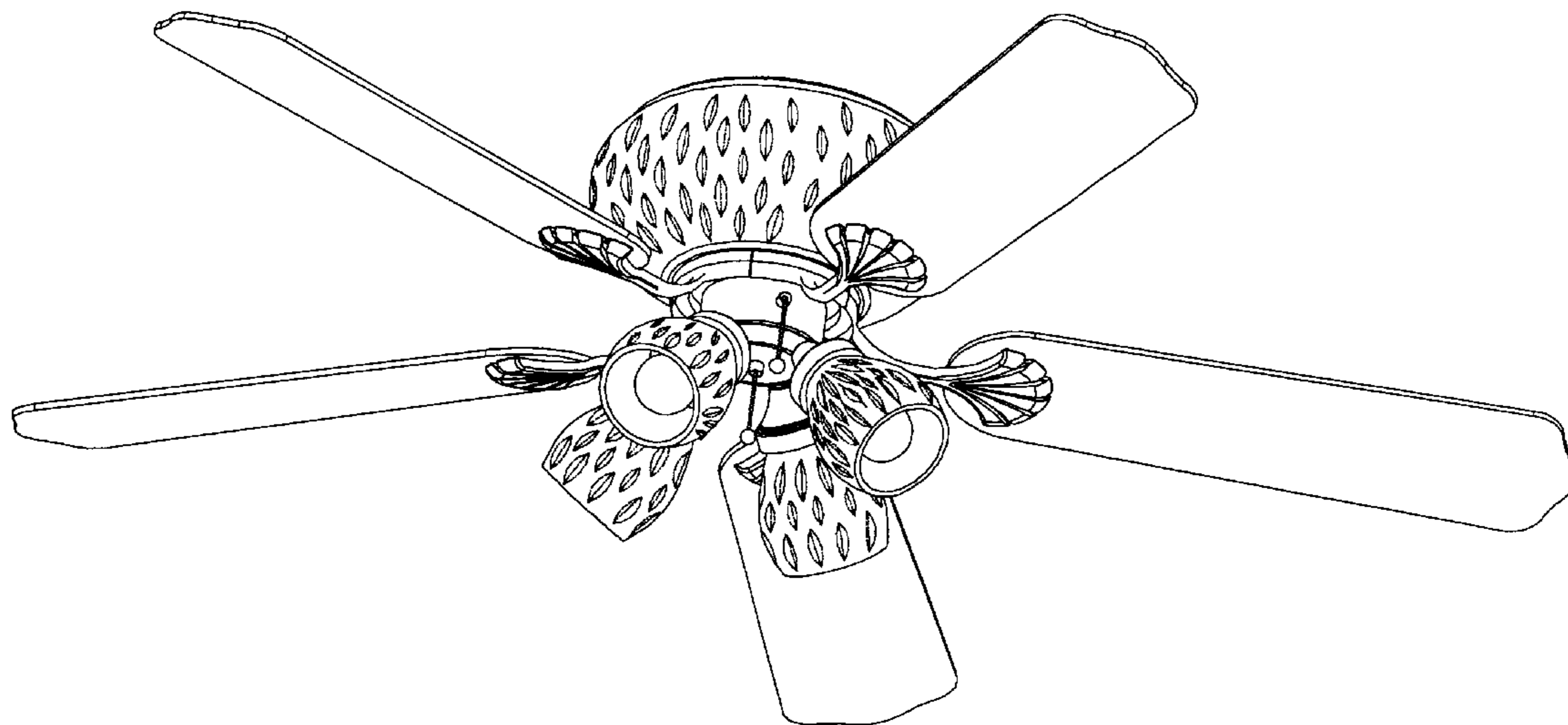


FIG. 1

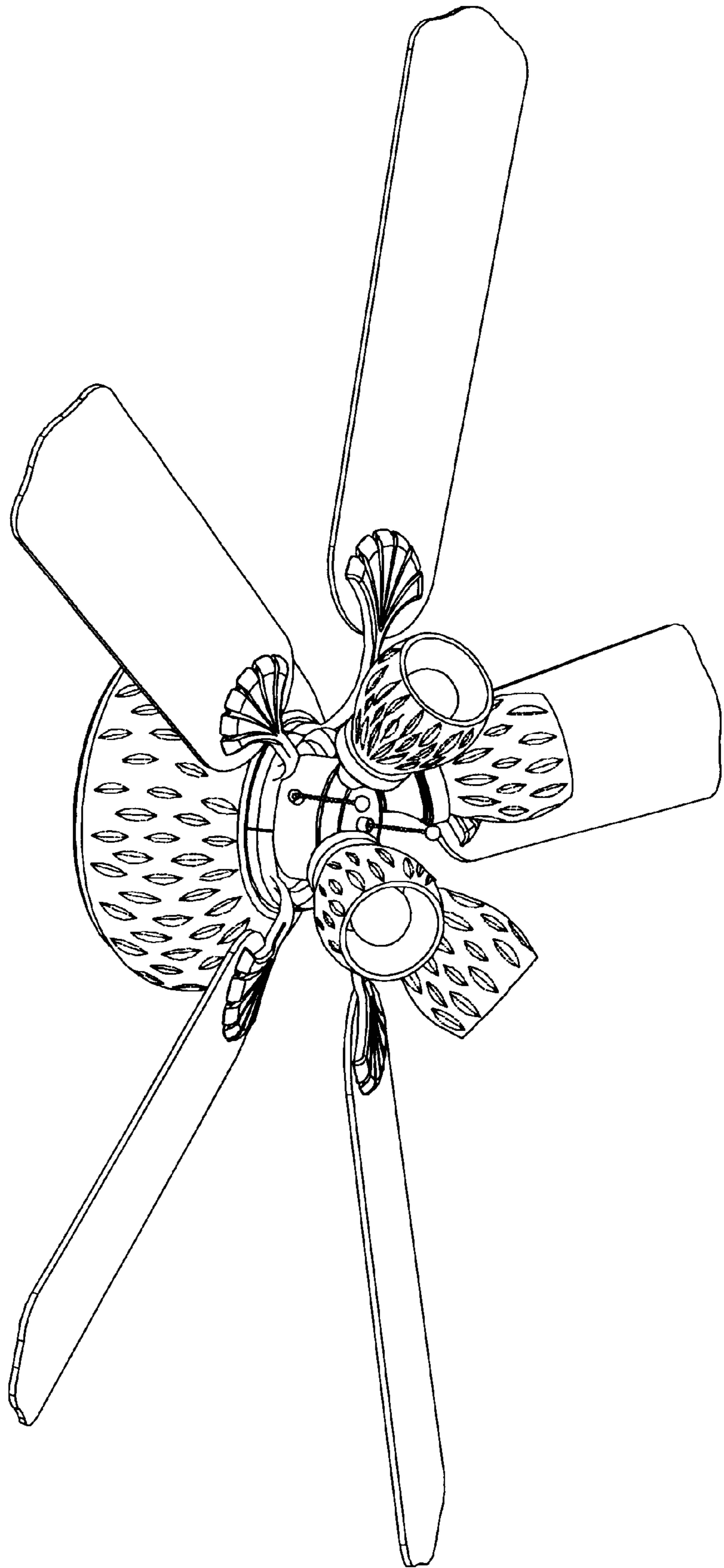


FIG. 2

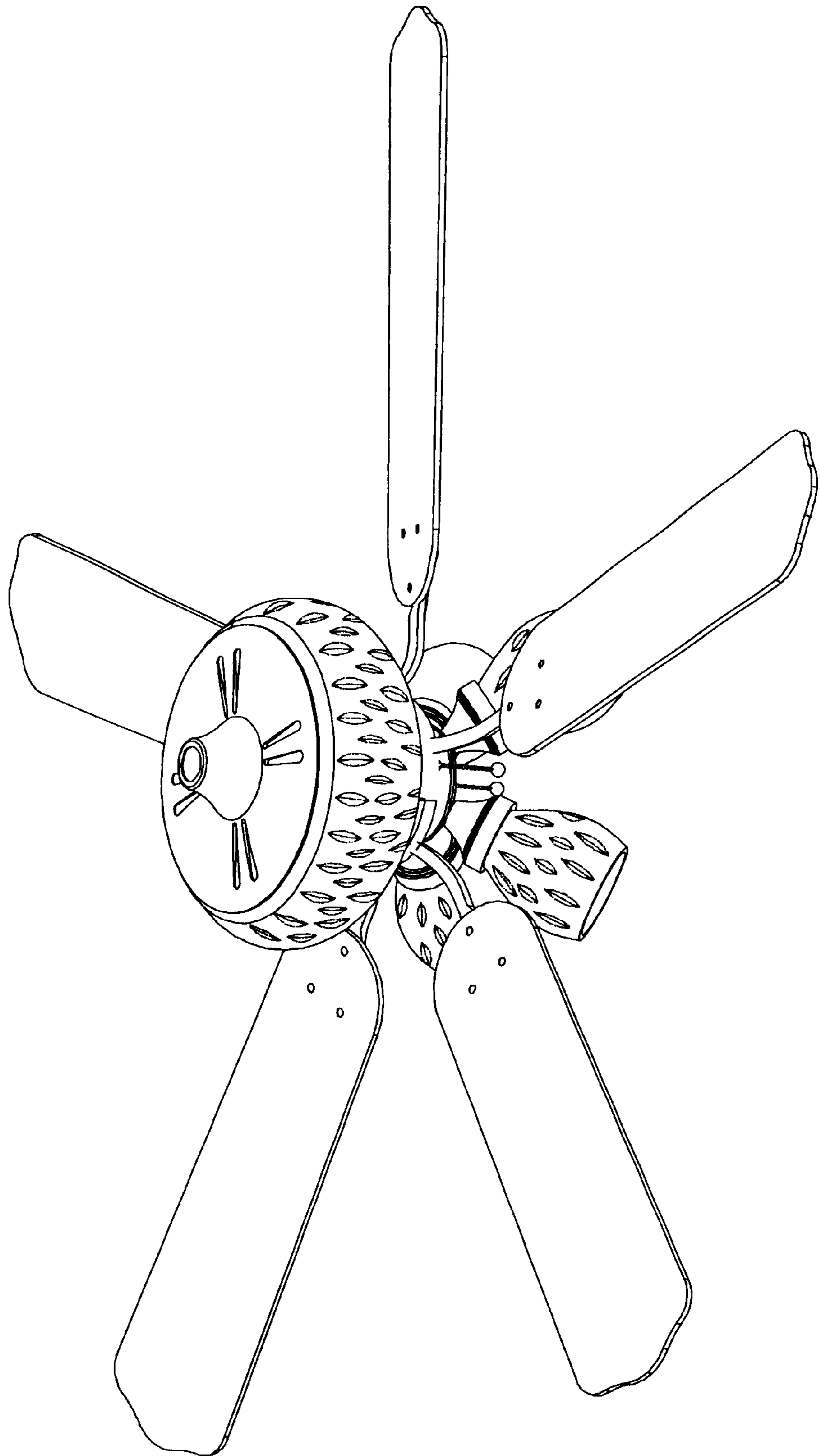


FIG. 3

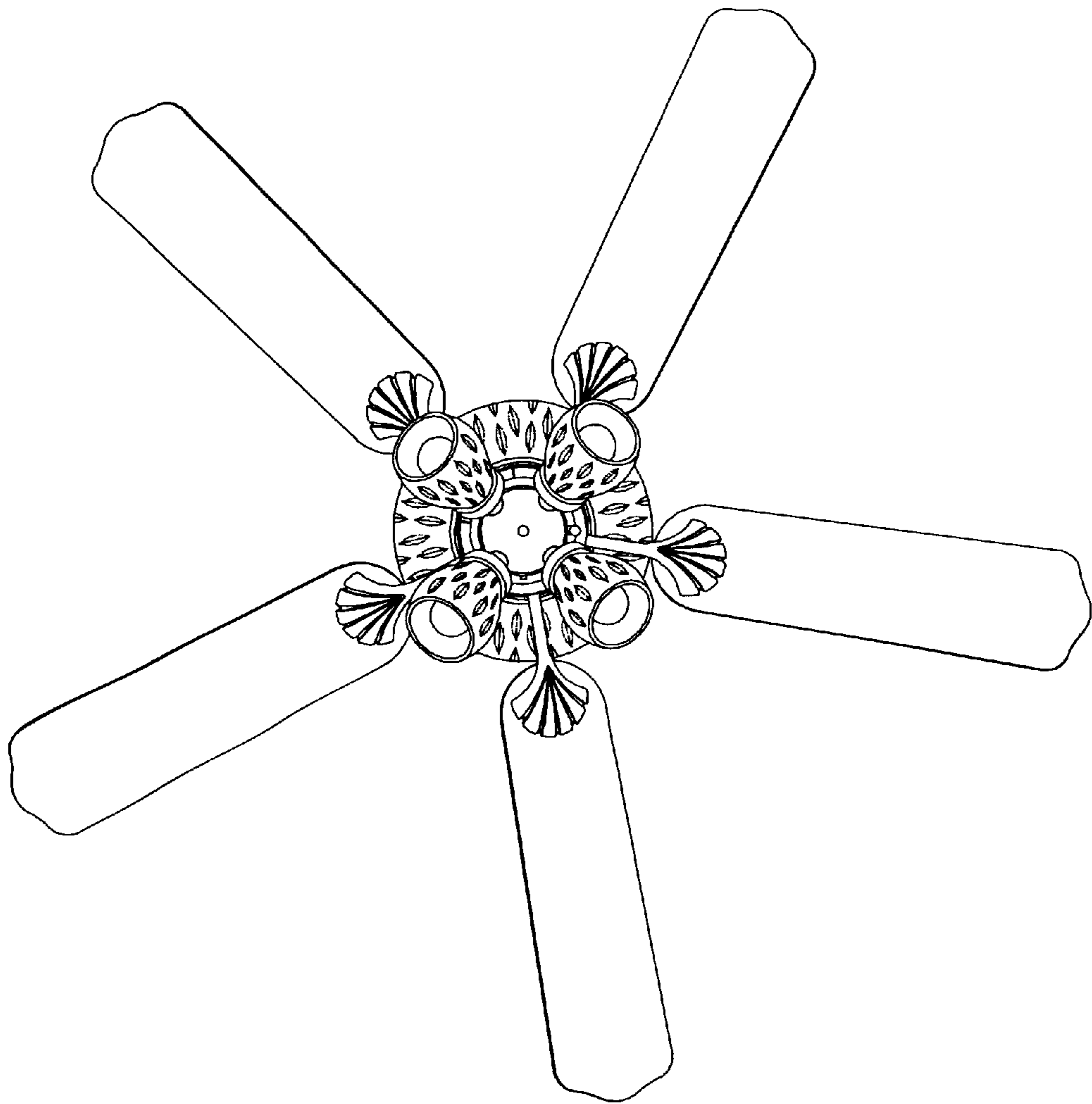


FIG. 4

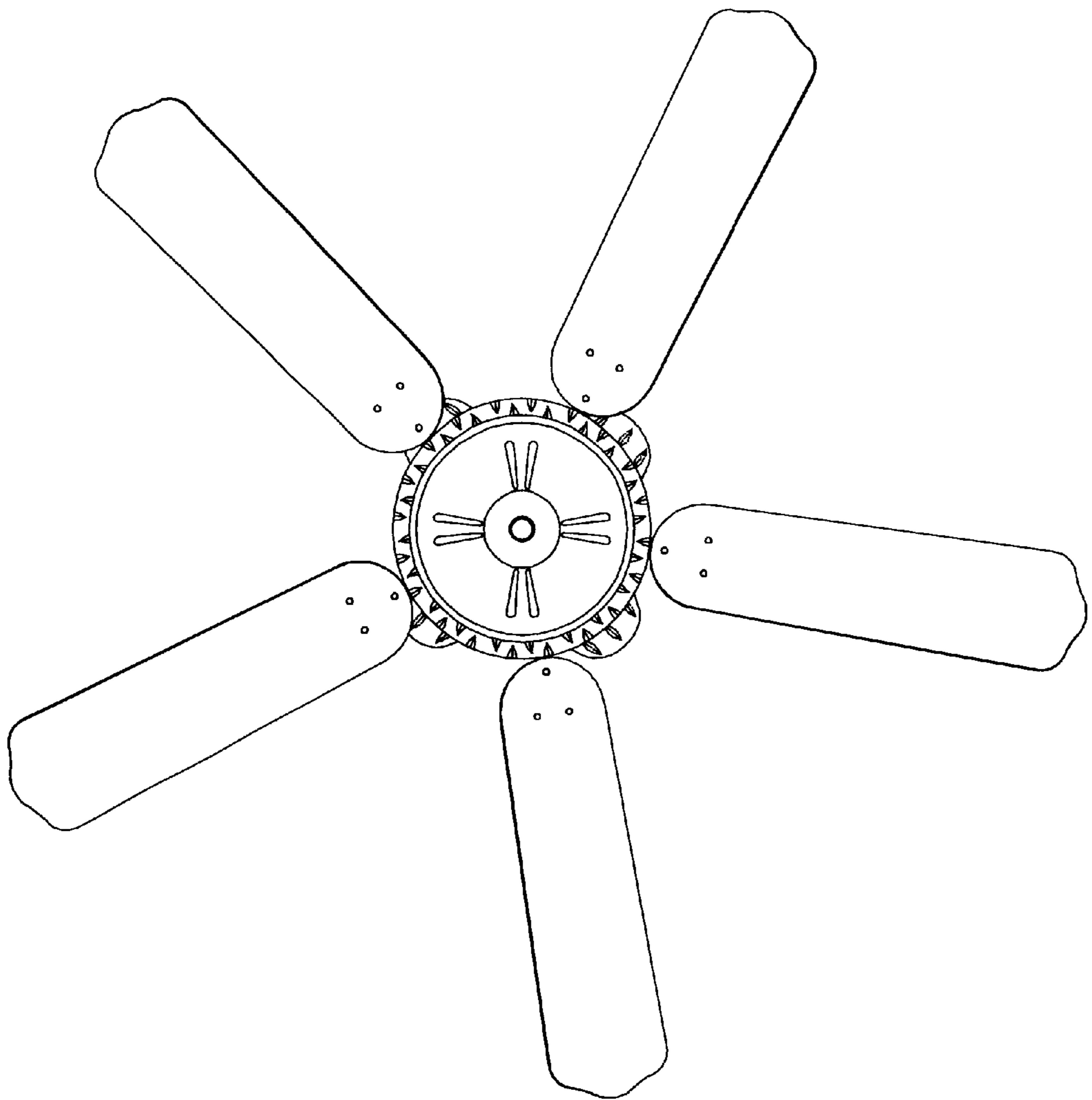


FIG. 5

