



US00D485344S

(12) **United States Design Patent**
Tai

(10) **Patent No.:** **US D485,344 S**

(45) **Date of Patent:** **** Jan. 13, 2004**

(54) **COMBINED CEILING FAN AND LIGHT
FIXTURE**

D424,679 S * 5/2000 LaSpina D23/377

* cited by examiner

(76) **Inventor:** **Jen-Lung David Tai**, 19507 N. 65th
Ave., Glendale, AZ (US) 85308

Primary Examiner—Lisa Lichtenstein
(74) *Attorney, Agent, or Firm*—Parsons&Goltry; Michael
W. Goltry; Robert A. Parsons

(**) **Term:** **14 Years**

(21) **Appl. No.:** **29/177,110**

(57) **CLAIM**

(22) **Filed:** **Mar. 4, 2003**

The ornamental design for a combined ceiling fan and light
fixture, as shown and described.

(51) **LOC (7) Cl.** **23-04**

DESCRIPTION

(52) **U.S. Cl.** **D23/377**

(58) **Field of Search** D23/377, 379,
D23/385, 411, 413; 416/5; D26/59, 81–88,
72; 392/364; 362/96

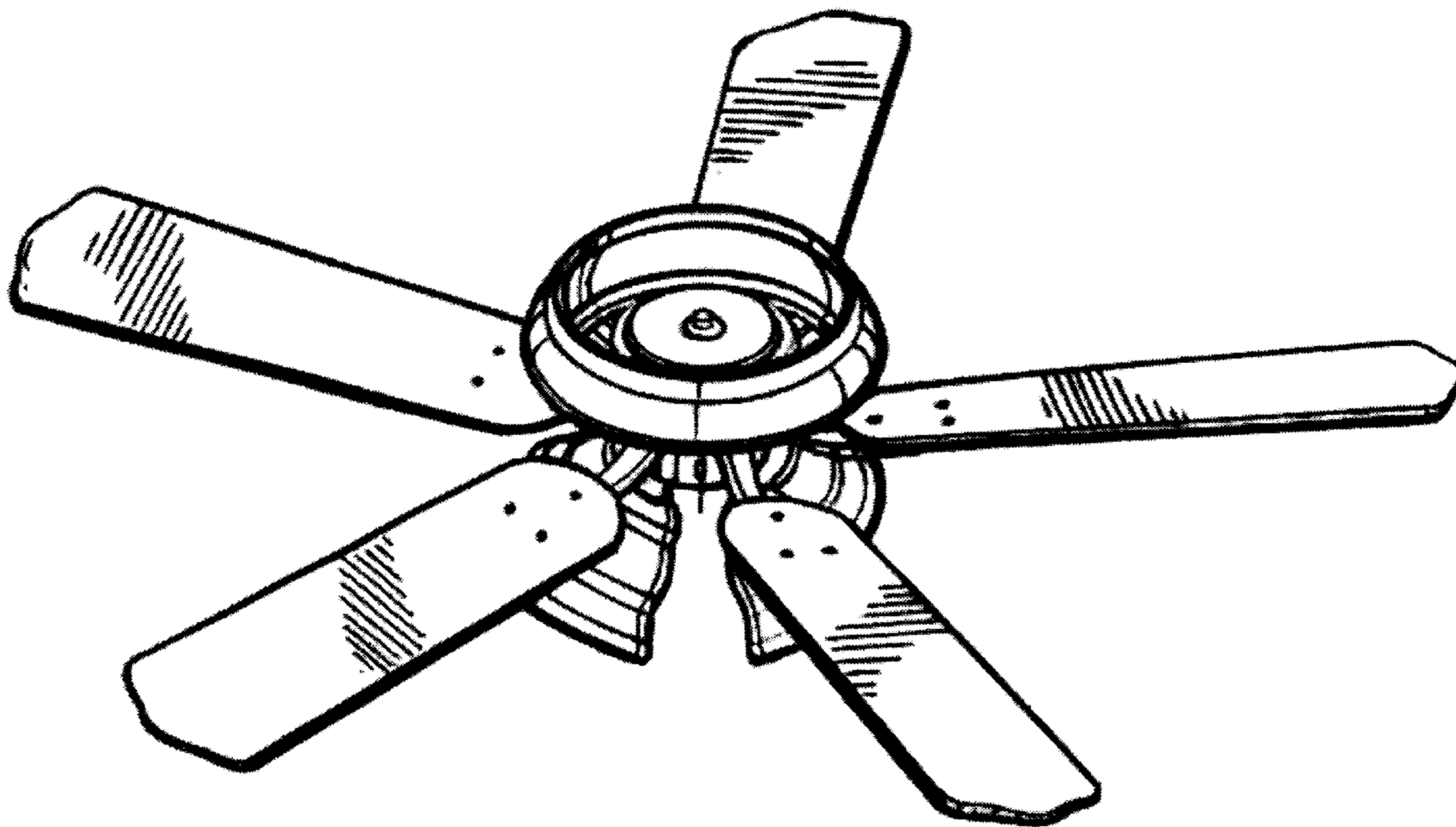
FIG. 1 is a perspective view of a combined ceiling fan and
light fixture showing my new design;
FIG. 2 is a front elevation view thereof;
FIG. 3 is a top plan view thereof;
FIG. 4 is a rear elevation view thereof; and,
FIG. 5 is a bottom plan view thereof.

(56) **References Cited**

U.S. PATENT DOCUMENTS

D329,494 S * 9/1992 Holbrook D23/377
D418,217 S * 12/1999 LaSpina et al. D23/377

1 Claim, 3 Drawing Sheets



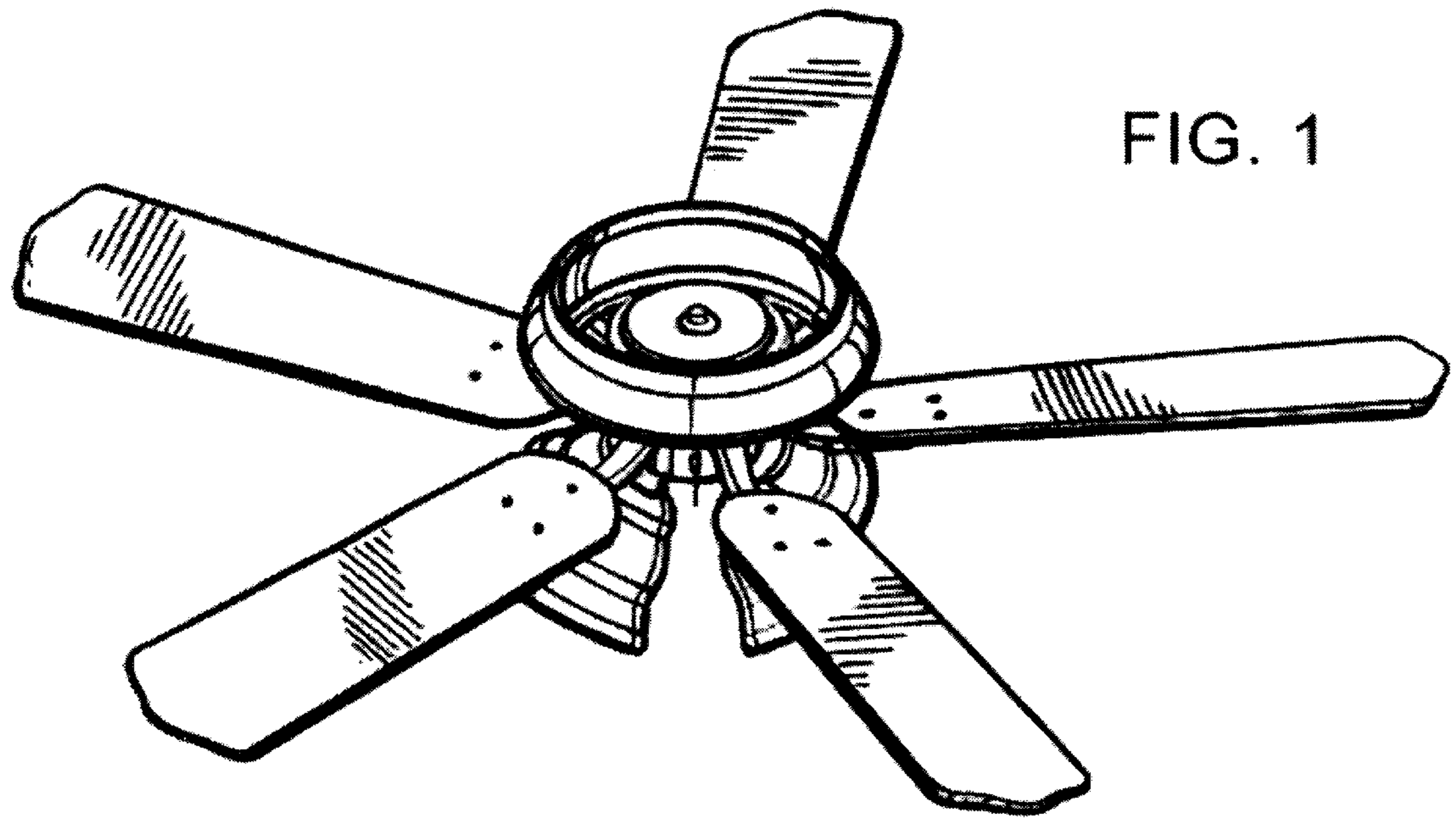


FIG. 1

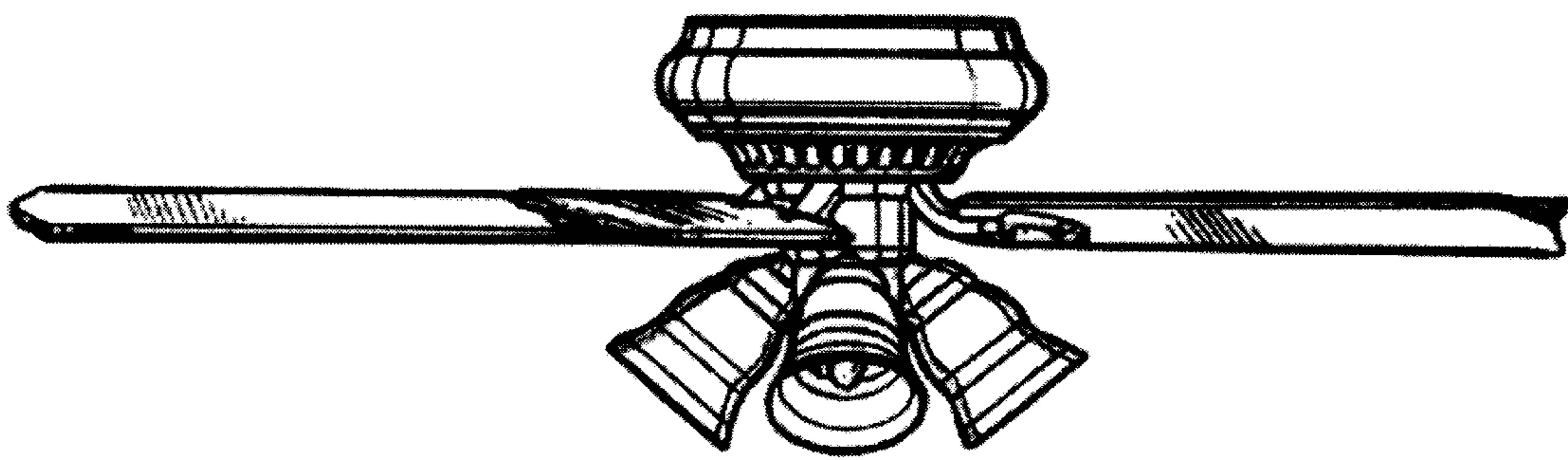


FIG. 2

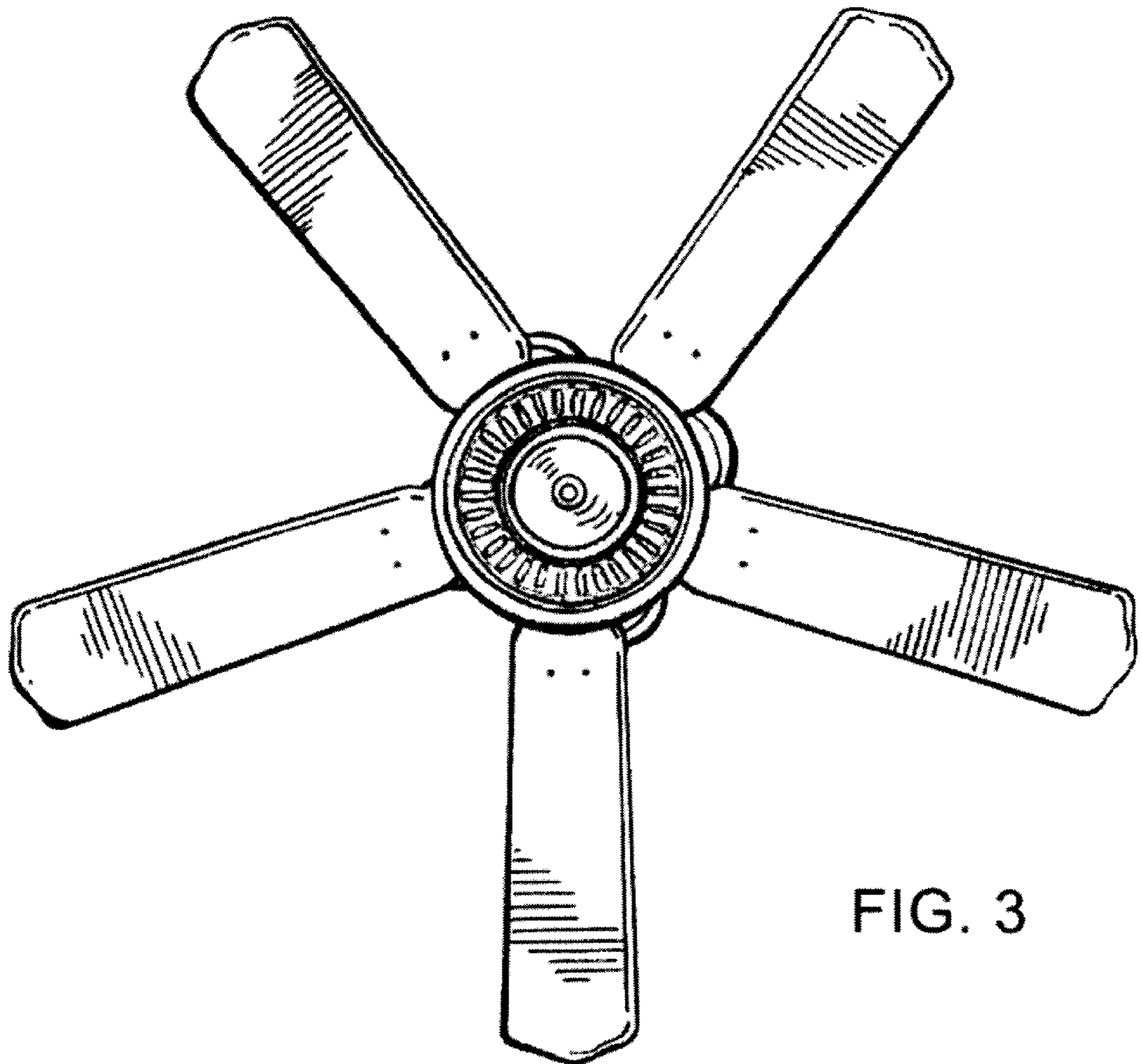


FIG. 3

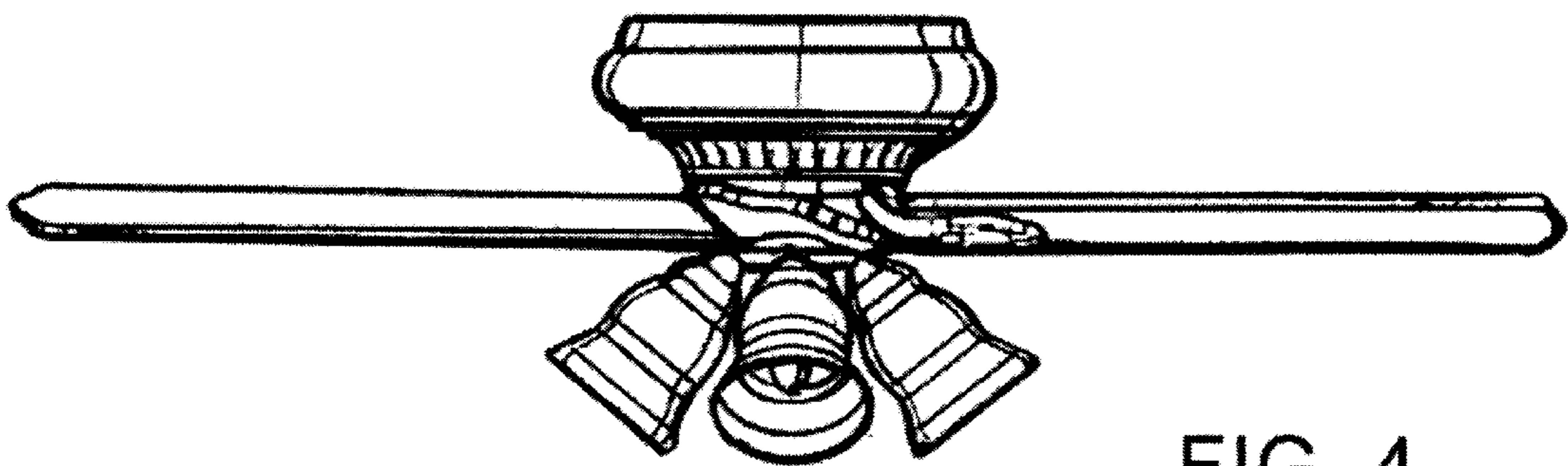


FIG. 4

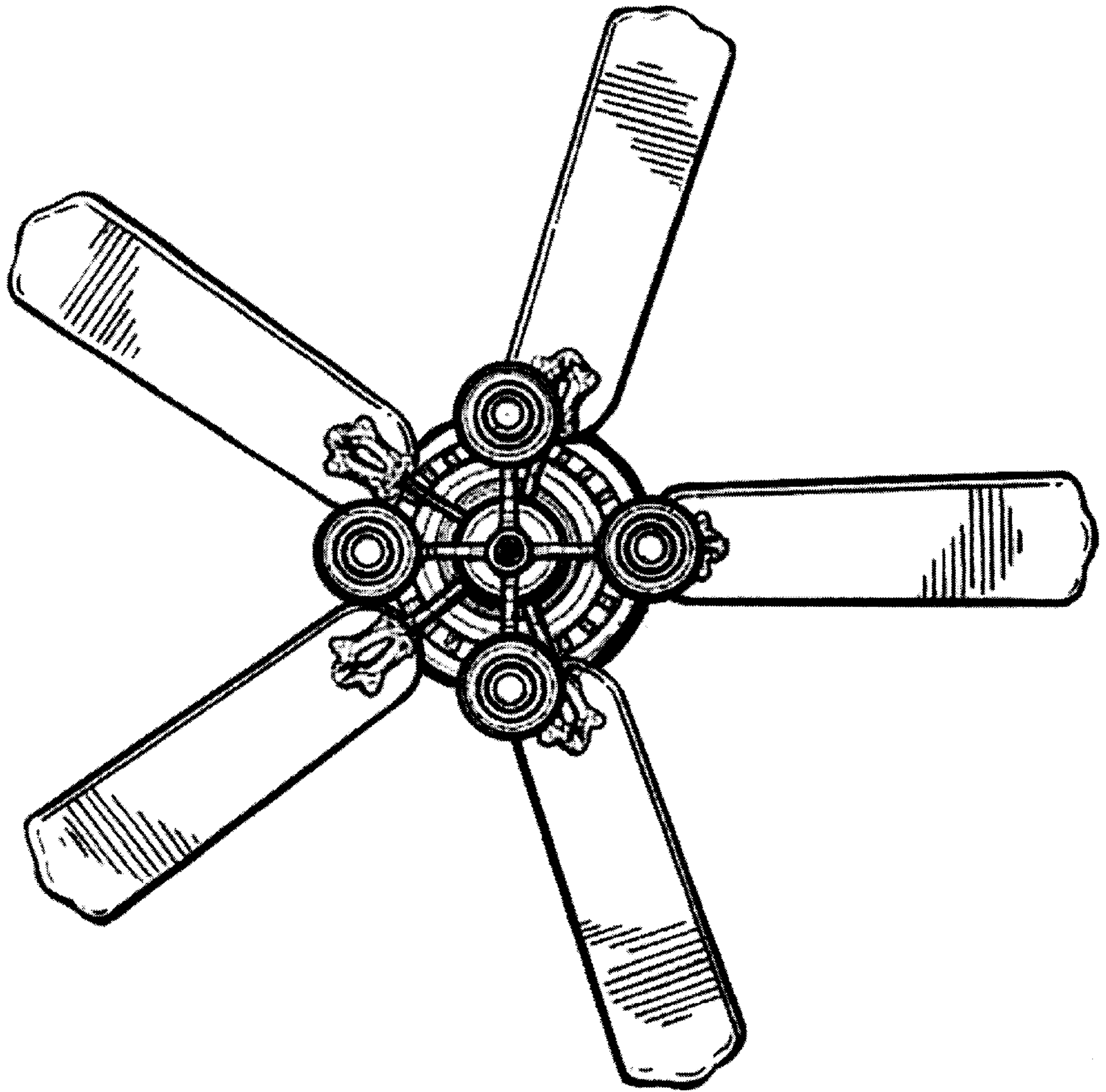


FIG. 5