



US00D485343S

(12) **United States Design Patent**  
**Wu**

(10) **Patent No.:** **US D485,343 S**

(45) **Date of Patent:** **\*\* Jan. 13, 2004**

(54) **DOLPHIN AUTOMOBILE AIR FRESHENER**

(76) Inventor: **Henry Wu**, Fl. 3, No. 6, Alley 59, Lane 42, Ming Chuan Rd., Shin-Tien City, Taipei (TW)

(\*\*) Term: **14 Years**

(21) Appl. No.: **29/162,455**

(22) Filed: **Jun. 14, 2002**

(30) **Foreign Application Priority Data**

Apr. 10, 2002 (GB) ..... 3002807

(51) **LOC (7) Cl.** ..... **23-04**

(52) **U.S. Cl.** ..... **D23/367**

(58) **Field of Search** ..... D23/366-69; 422/120, 422/122-4; 239/53-6, 34-60, 211; D11/131, 158; D21/597, 602

(56) **References Cited**

**U.S. PATENT DOCUMENTS**

D401,685 S \* 11/1998 Wilson

D402,844 S \* 12/1998 Rosenstadt et al.

D417,706 S \* 12/1999 Yamazaki

6,119,850 A \* 9/2000 Chen et al.

D433,864 S \* 11/2000 Rosenstadt et al.

D444,224 S \* 6/2001 Weixler

\* cited by examiner

*Primary Examiner*—M. H. Tung

(74) *Attorney, Agent, or Firm*—Ira S. Dorman

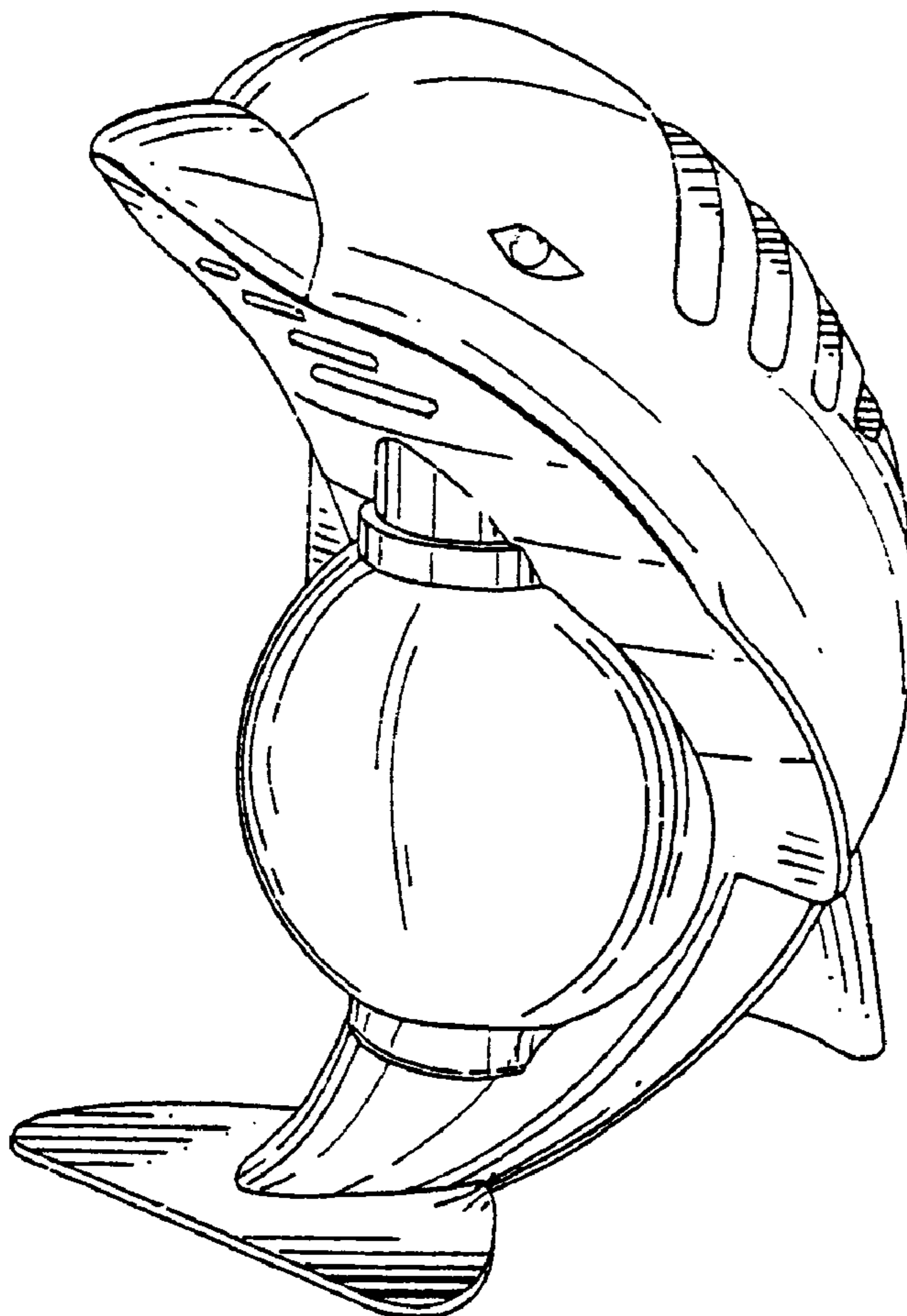
(57) **CLAIM**

The ornamental design for a dolphin automobile air freshener, as shown.

**DESCRIPTION**

FIG. 1 is a perspective view of a dolphin automobile air freshener embodying the present invention; FIG. 2 is a front view of the freshener; FIG. 3 is a rear view of the freshener; FIG. 4 is a left side view of the freshener; FIG. 5 is a right side view of the freshener; FIG. 6 is a top view of the freshener; and, FIG. 7 is a bottom view of the freshener.

**1 Claim, 4 Drawing Sheets**



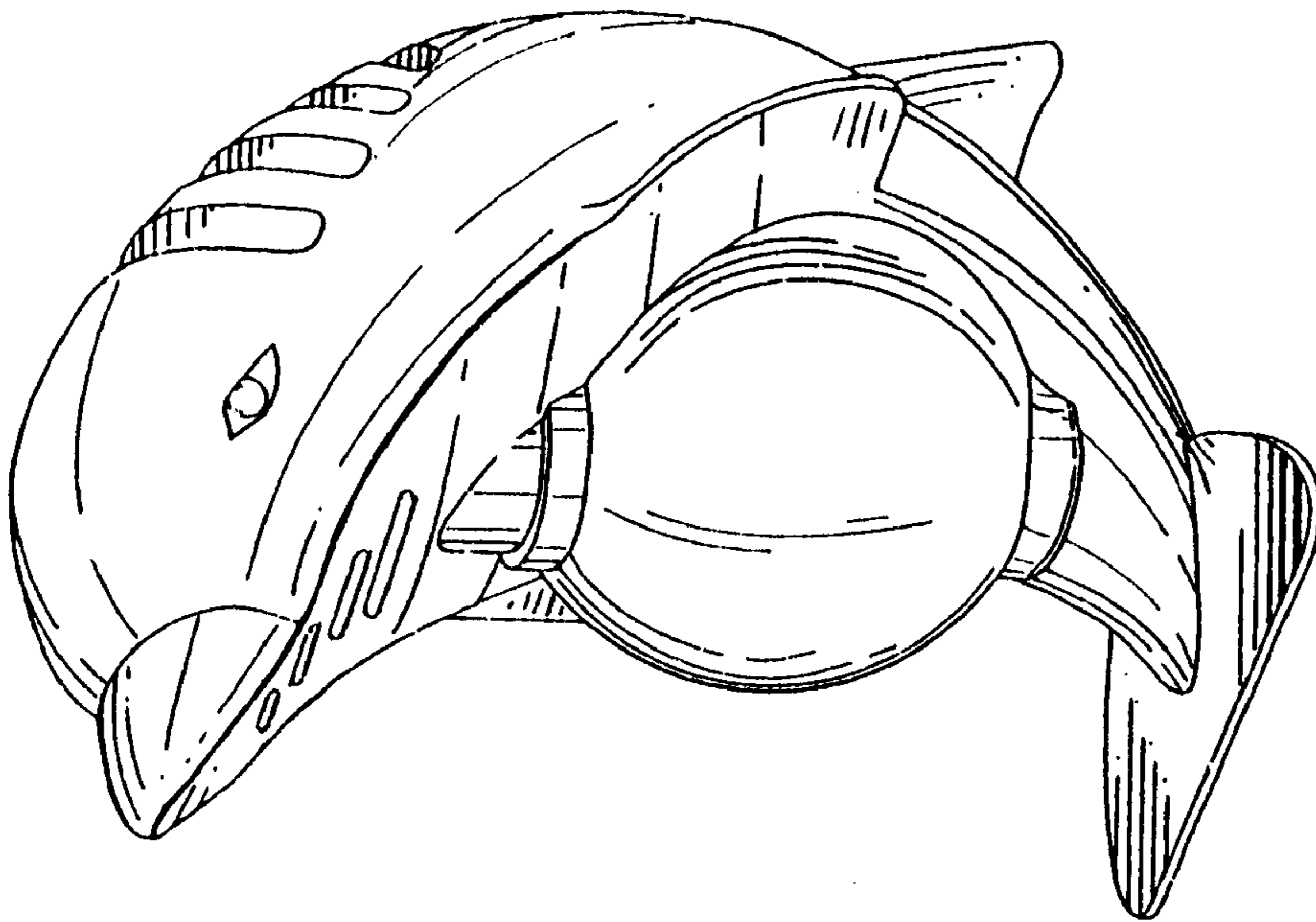


FIG.1

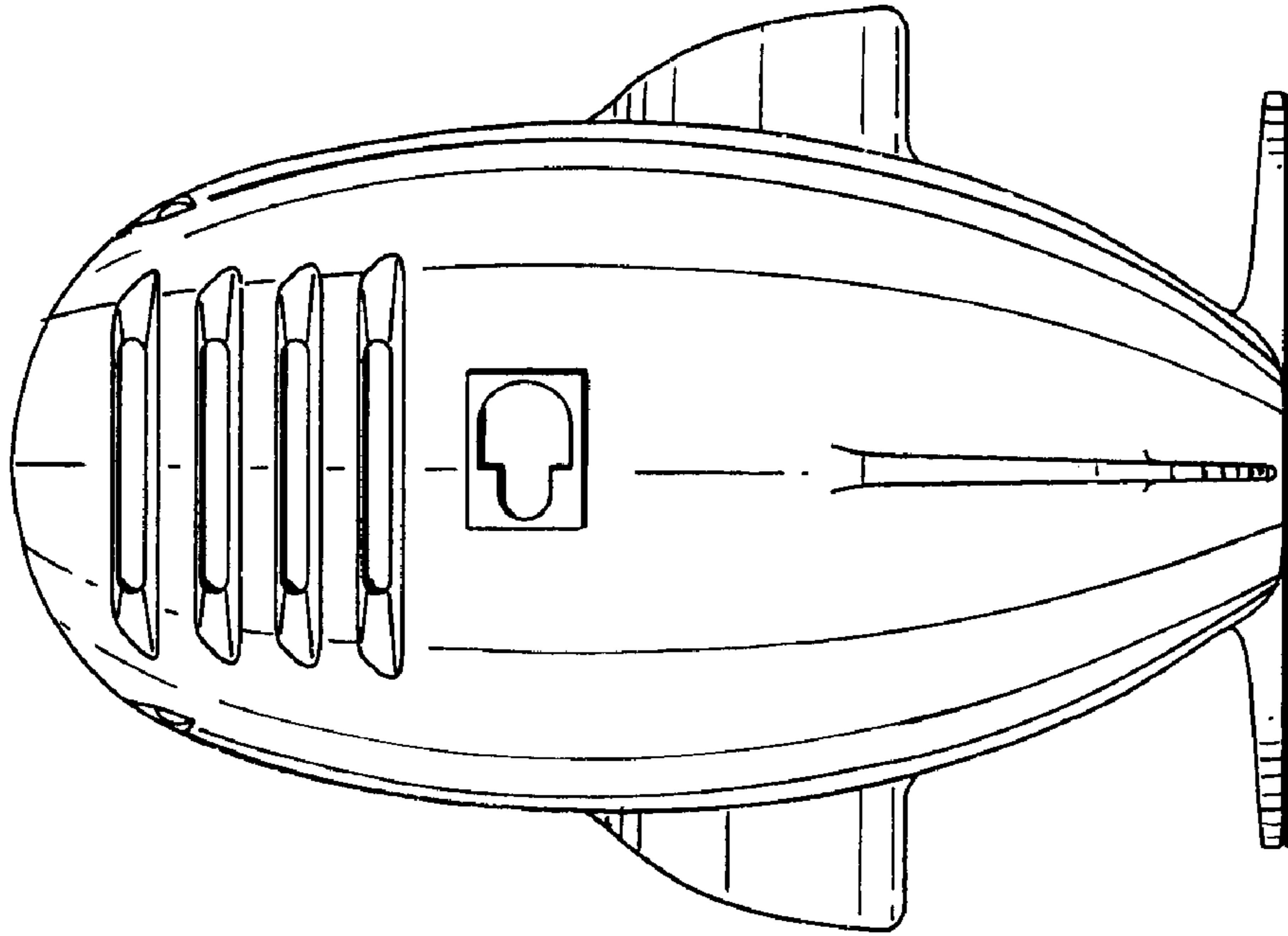


FIG.3

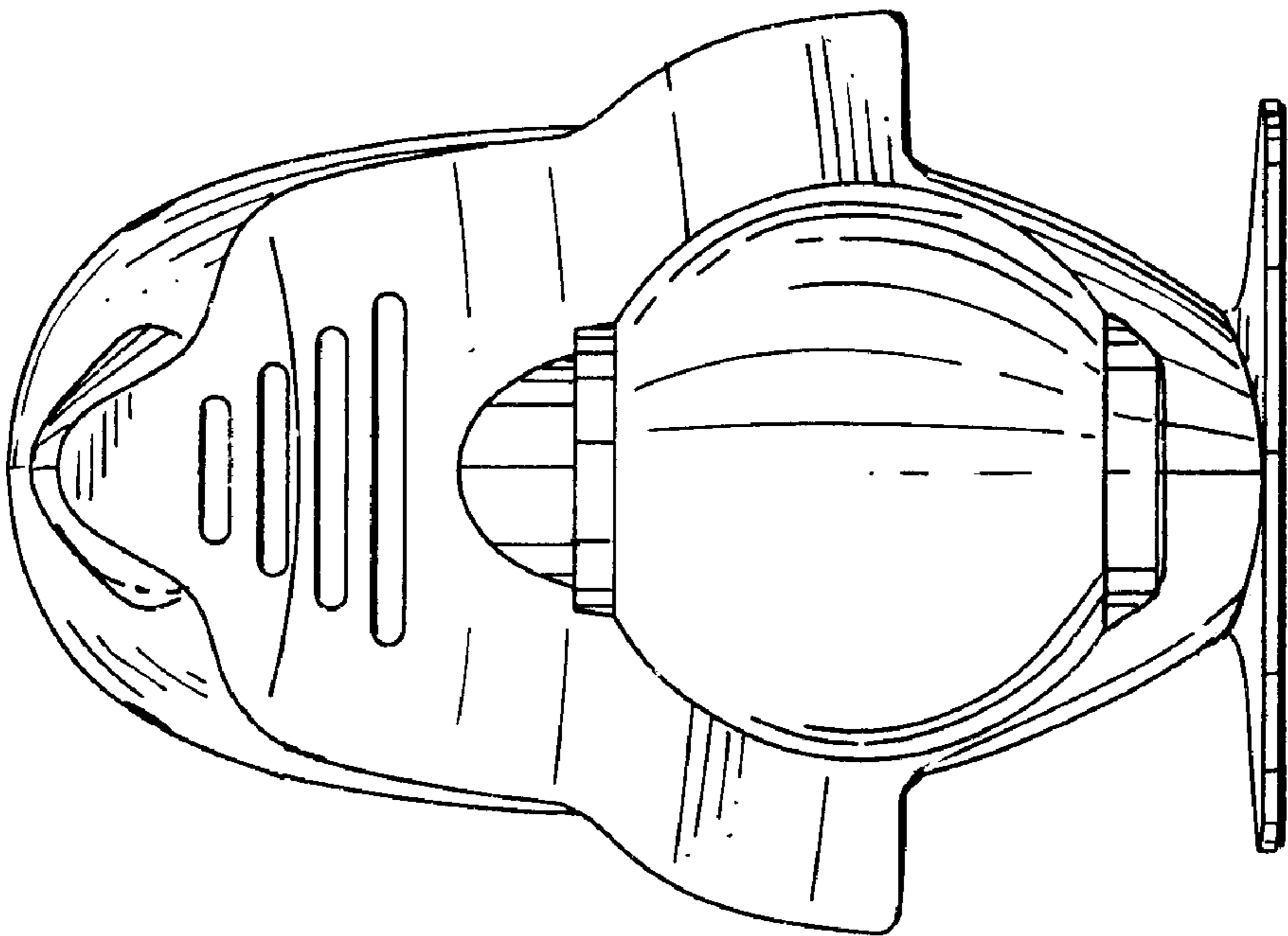


FIG.2

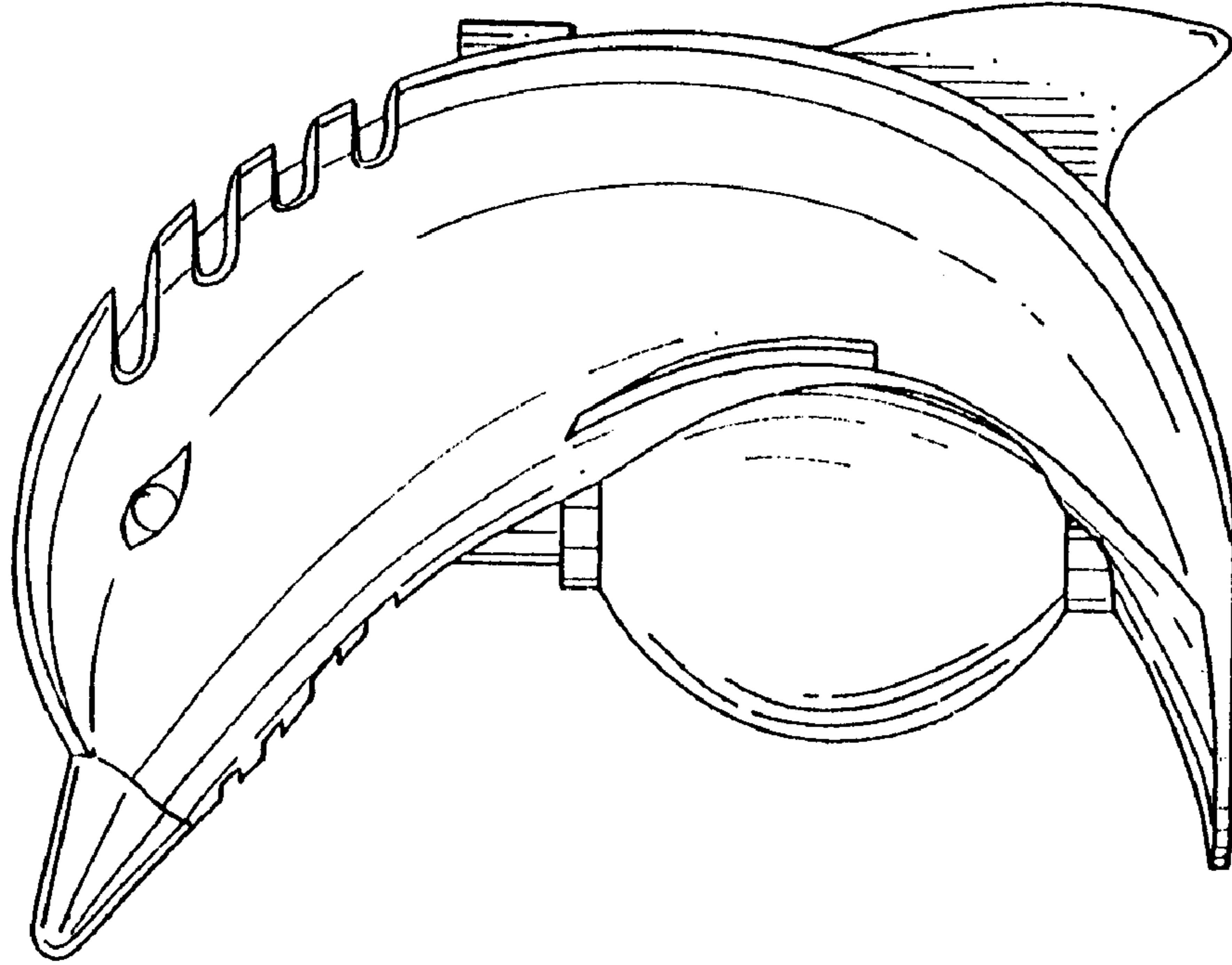


FIG.4

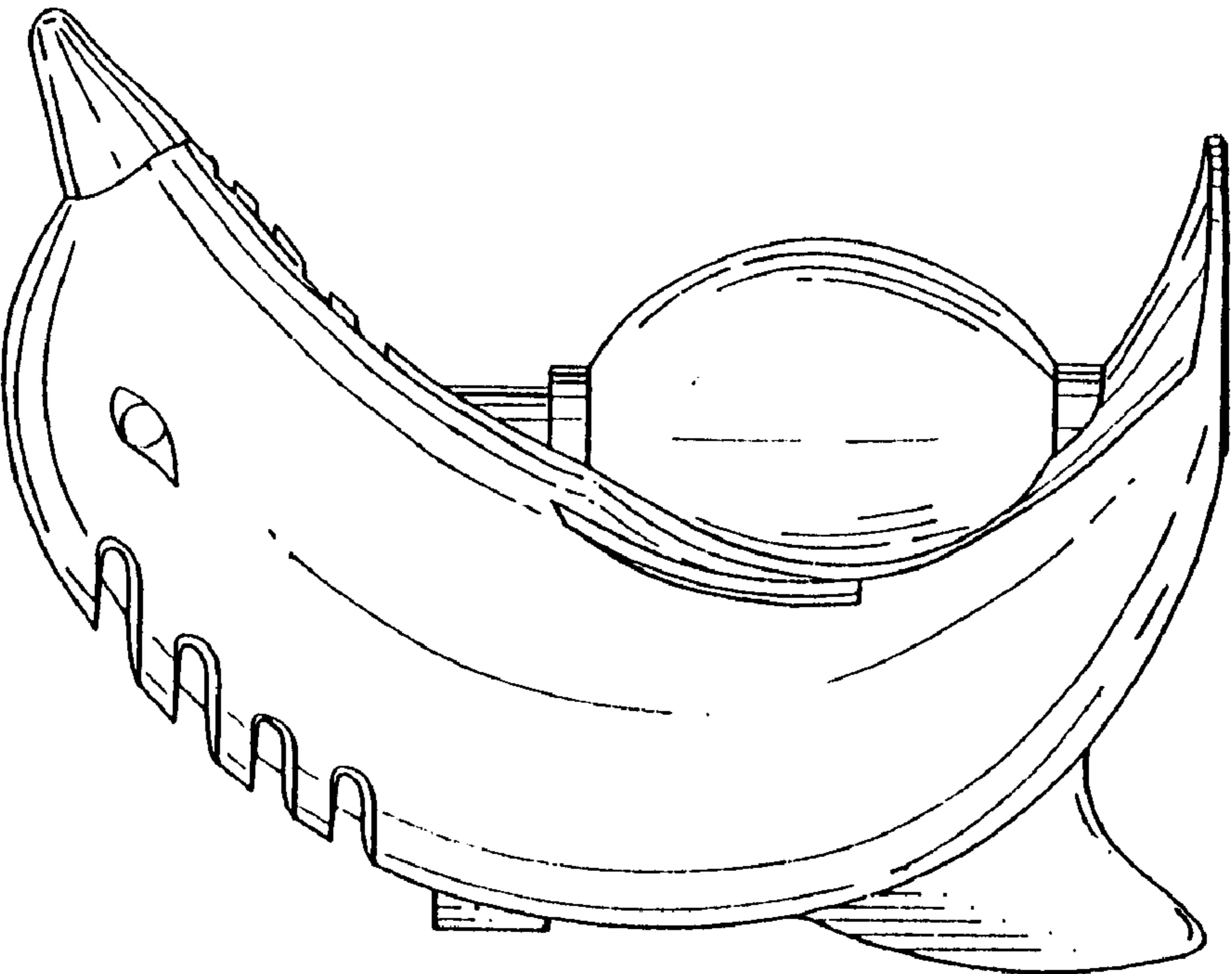


FIG.5

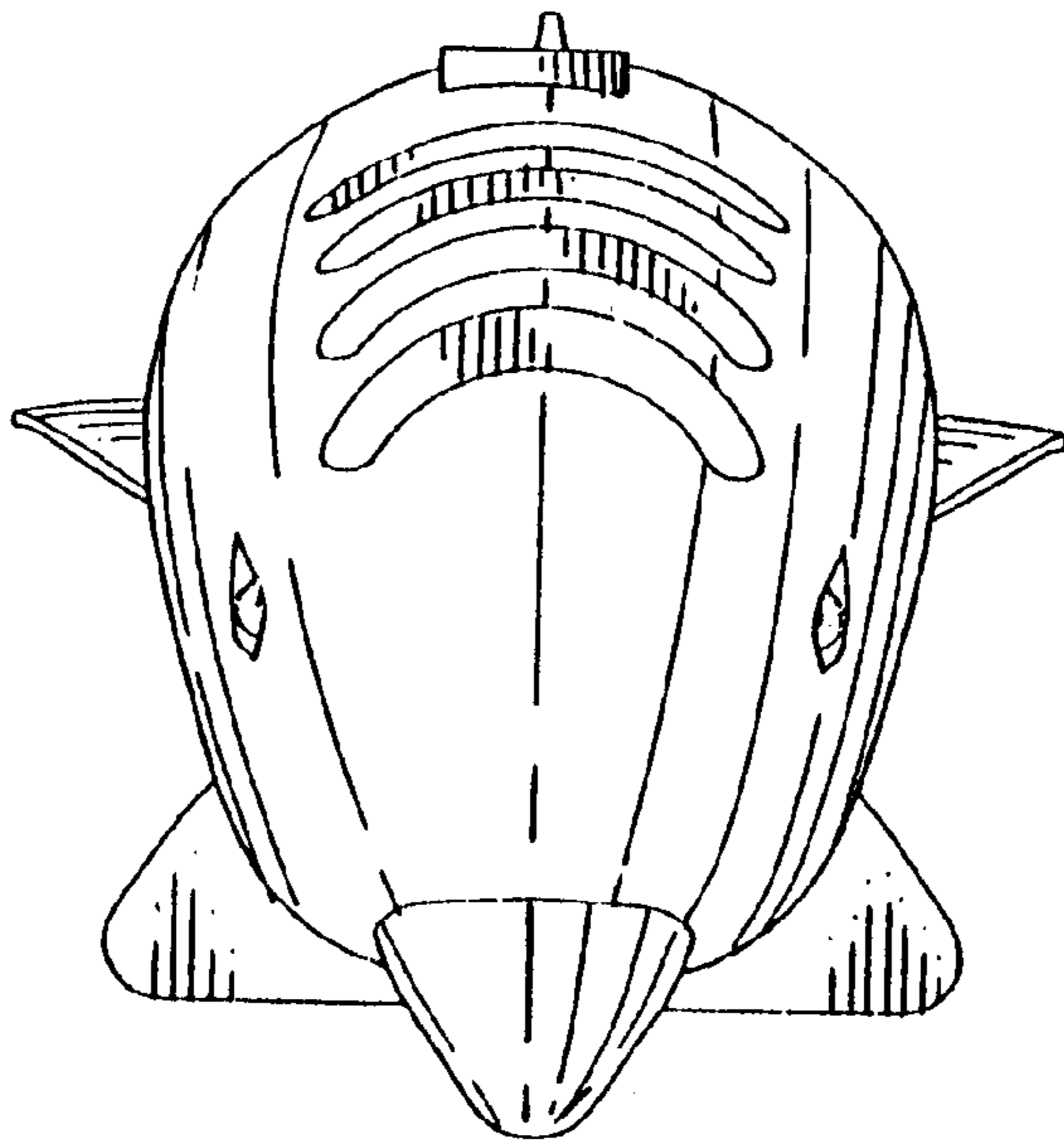


FIG.6

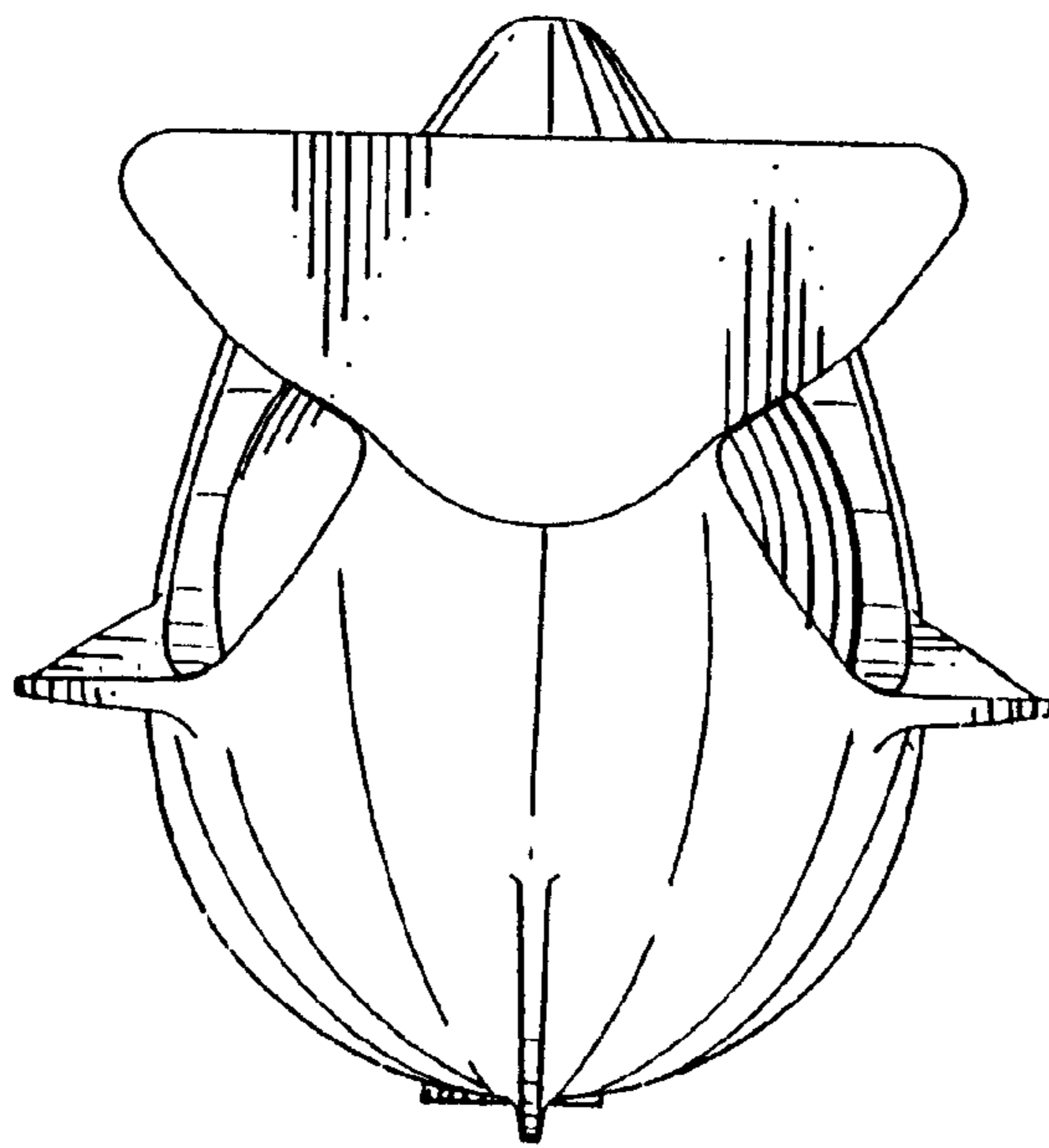


FIG.7