



US00D485342S

(12) **United States Design Patent**
Collazo

(10) **Patent No.:** **US D485,342 S**

(45) **Date of Patent:** **** Jan. 13, 2004**

(54) **12VDC AIR FRESHENER**

D442,683 S * 5/2001 Wu D23/366

(76) **Inventor:** **Carlos M. Collazo**, 350 Baldwin Rd.
Apt. 5-8, Parsippany, NJ (US) 07054

* cited by examiner

Primary Examiner—Lisa Lichtenstein

(**) **Term:** **14 Years**

(57) **CLAIM**

(21) **Appl. No.:** **29/183,146**

The ornamental design for a 12VDC air freshener, as shown and described.

(22) **Filed:** **Jun. 5, 2003**

DESCRIPTION

(51) **LOC (7) Cl.** **23-04**

(52) **U.S. Cl.** **D23/366**

(58) **Field of Search** D23/366-369;
239/34-59; 422/123, 125

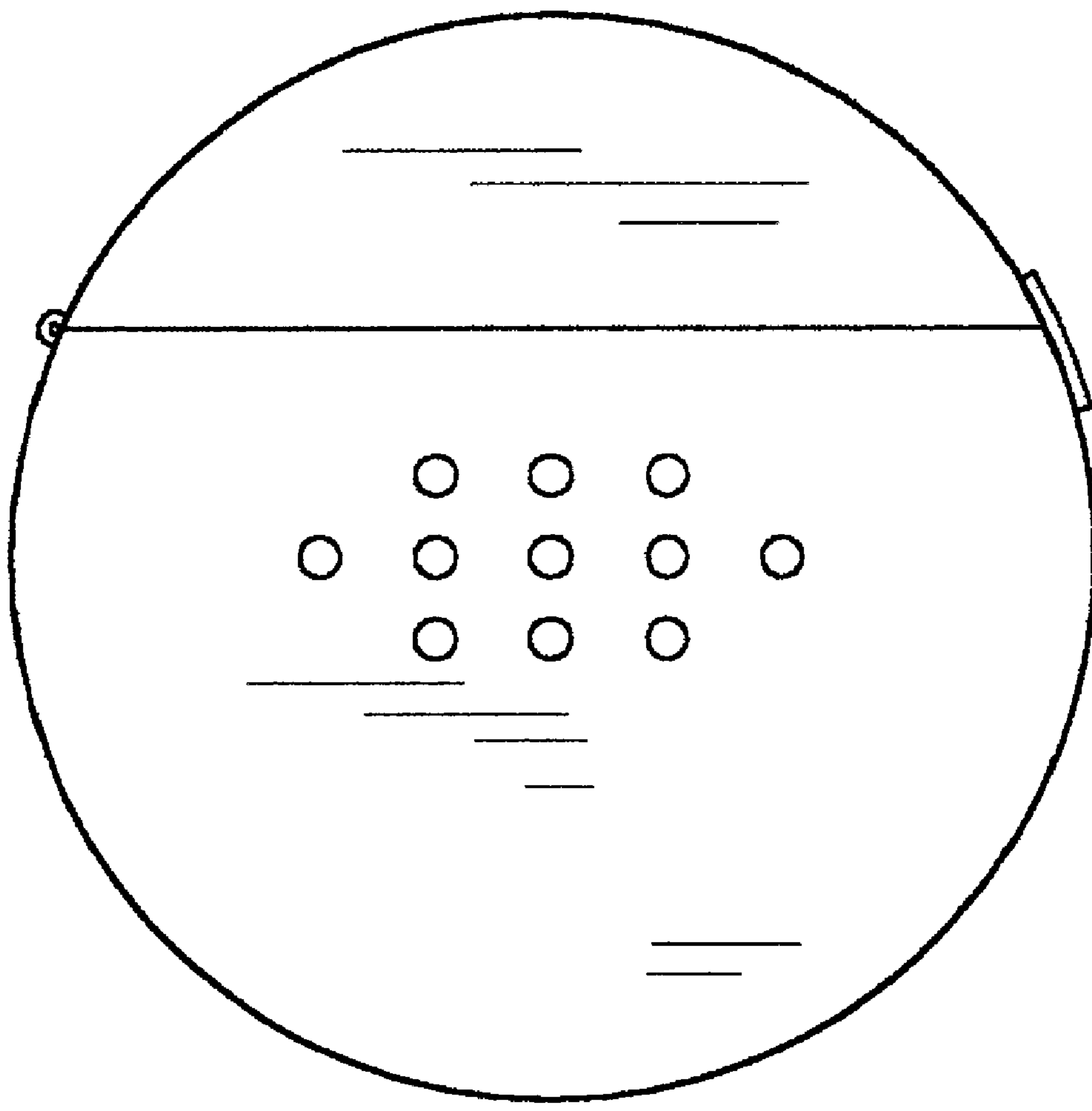
FIG. 1 is a front elevational view of a 12VDC air freshener showing my new design;
FIG. 2 is a rear elevational view thereof;
FIG. 3 is a side view, taken from the left side of FIG. 1;
FIG. 4 is a side view, taken from the right side of FIG. 1;
FIG. 5 is a top plan view thereof; and,
FIG. 6 is a bottom plan view thereof.

(56) **References Cited**

U.S. PATENT DOCUMENTS

D418,213 S * 12/1999 Colandro D23/366
D418,214 S * 12/1999 Cloutier D23/366

1 Claim, 3 Drawing Sheets



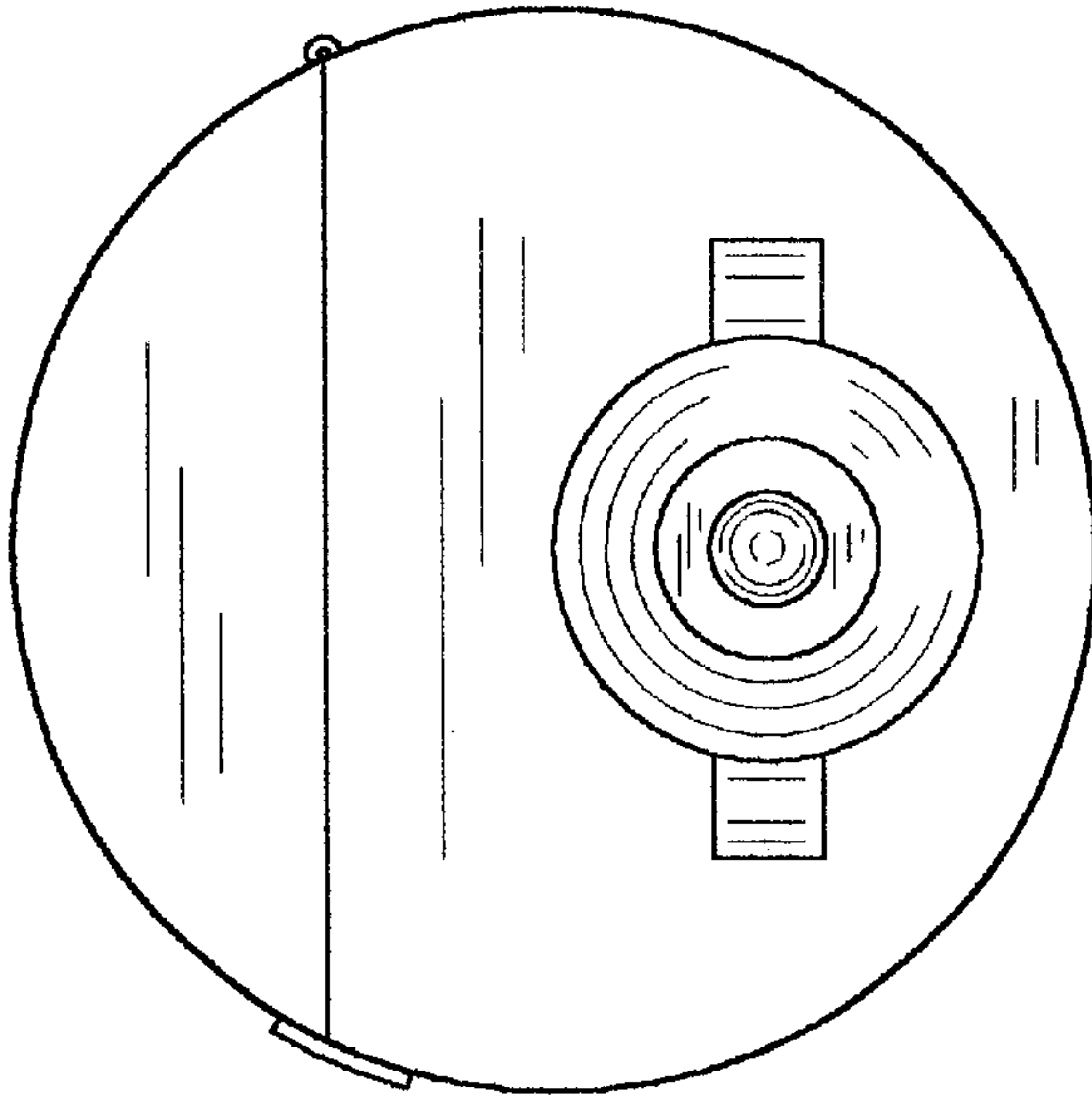


FIG. 2

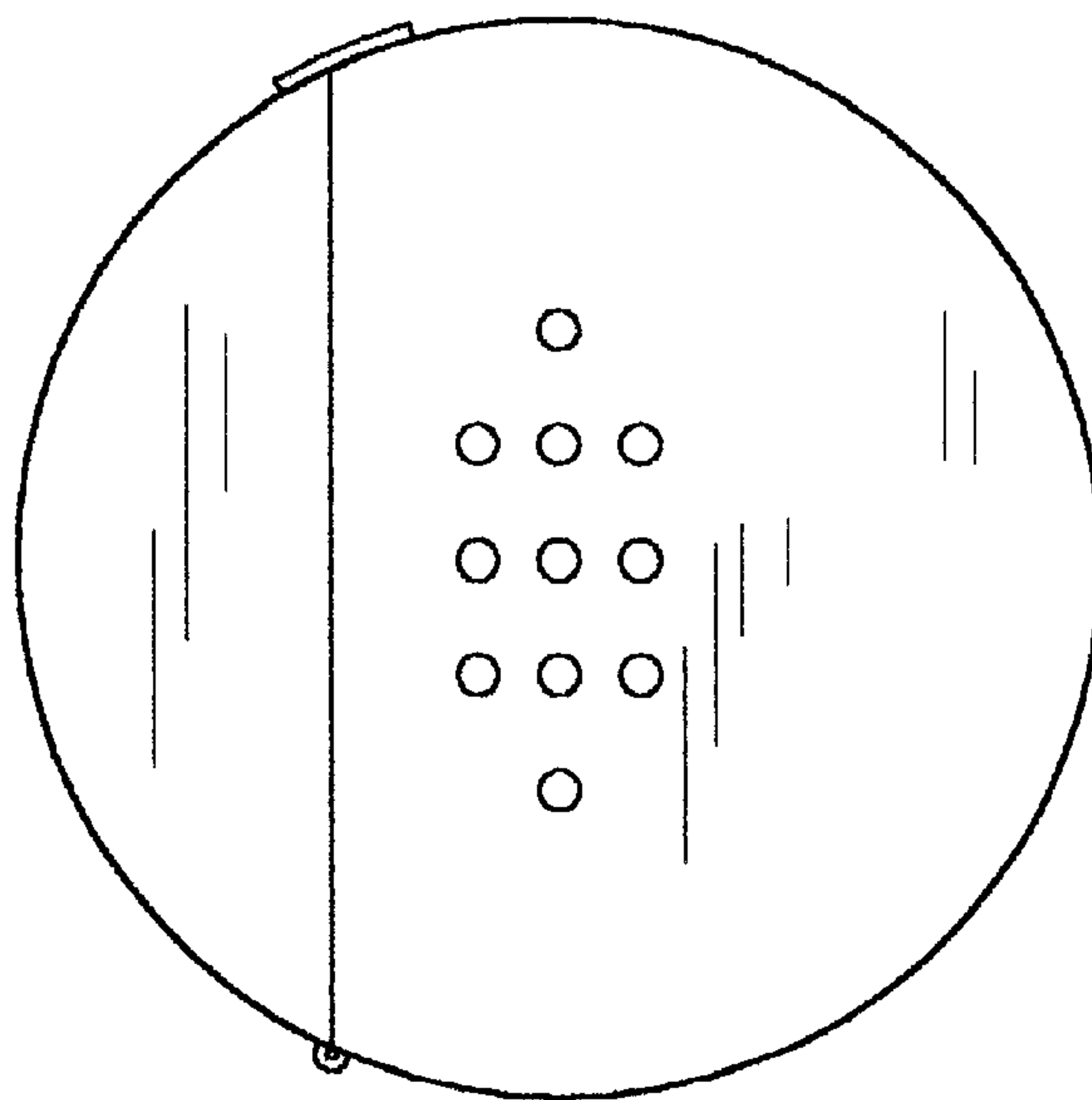


FIG. 1

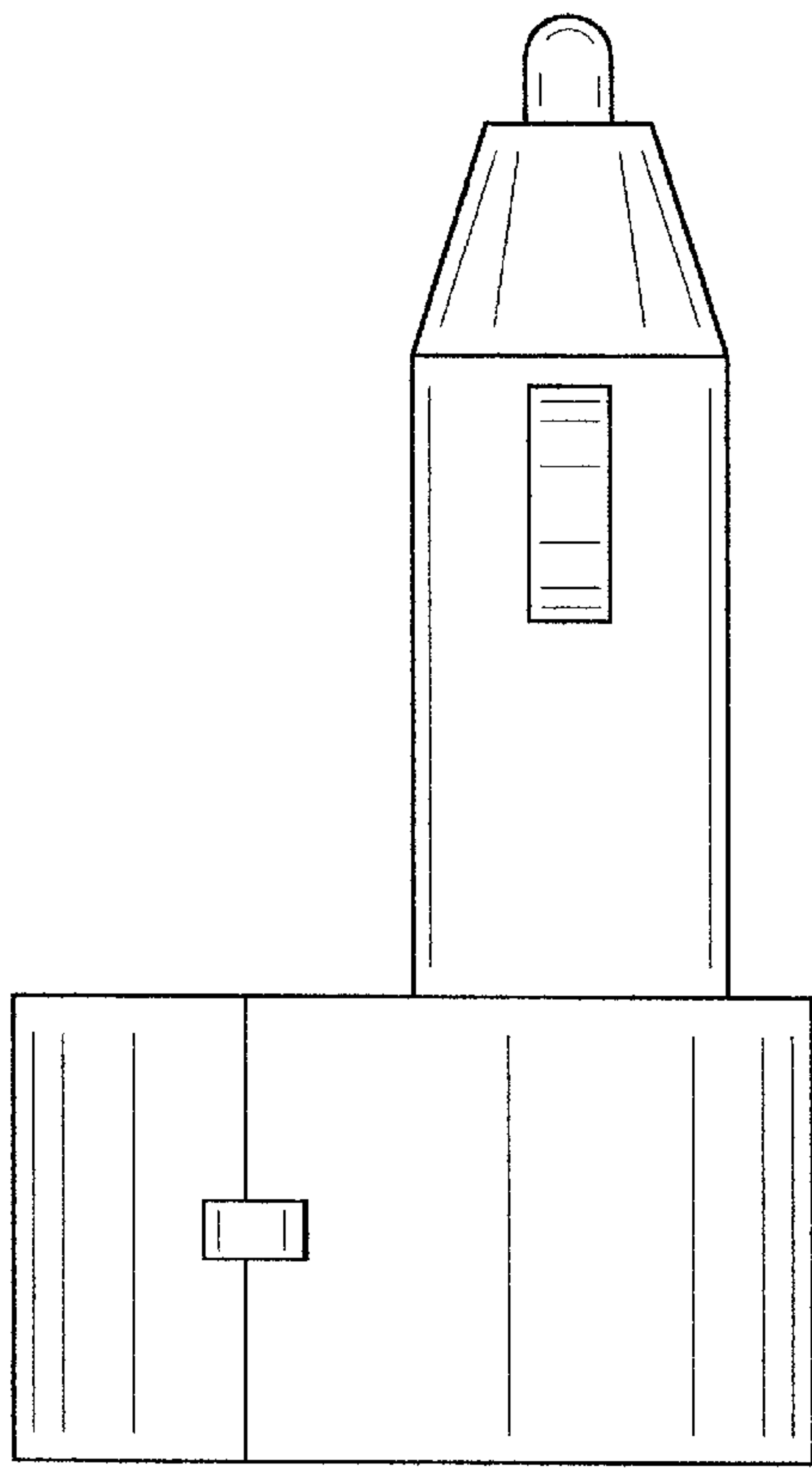


FIG. 3

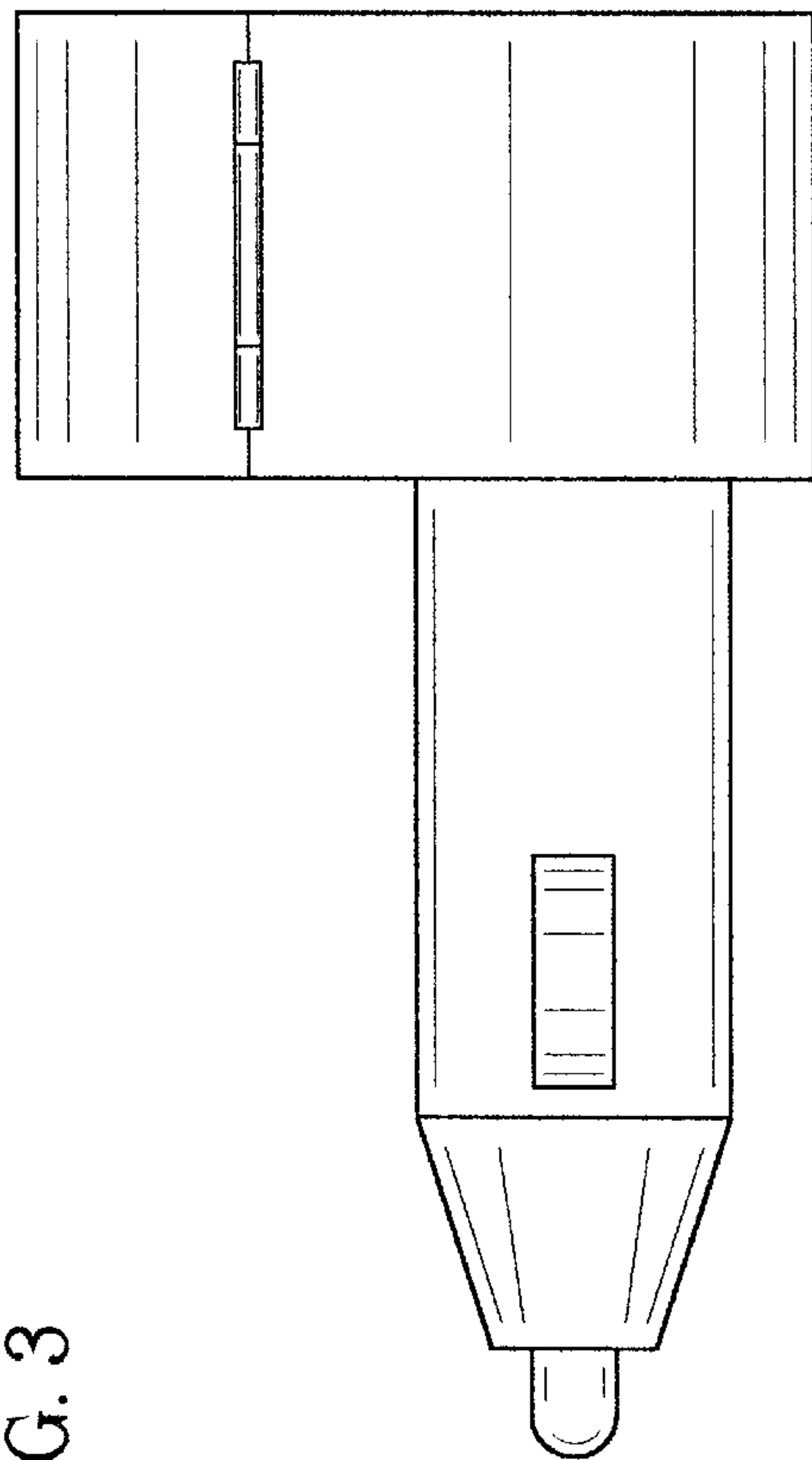


FIG. 4

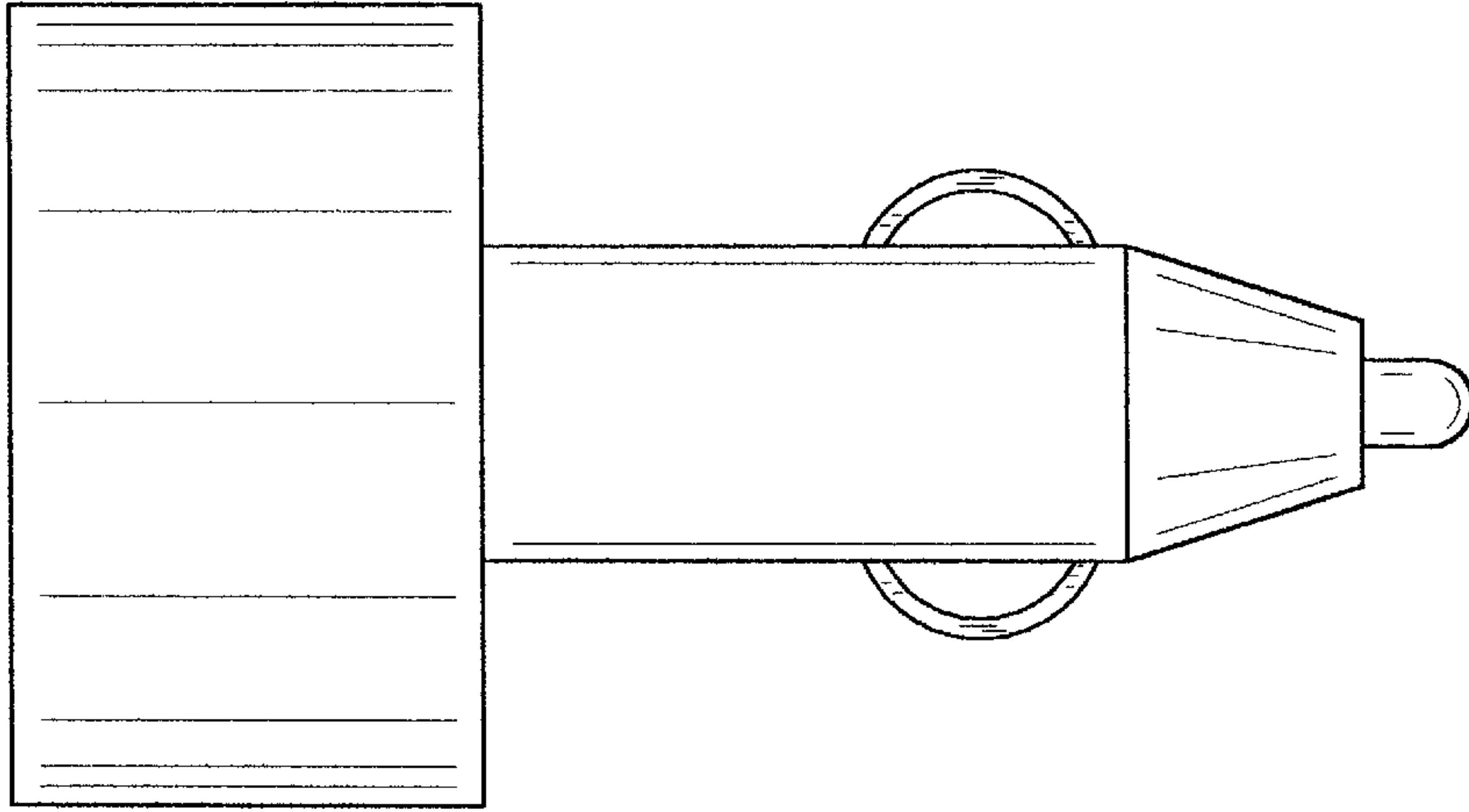


FIG. 6

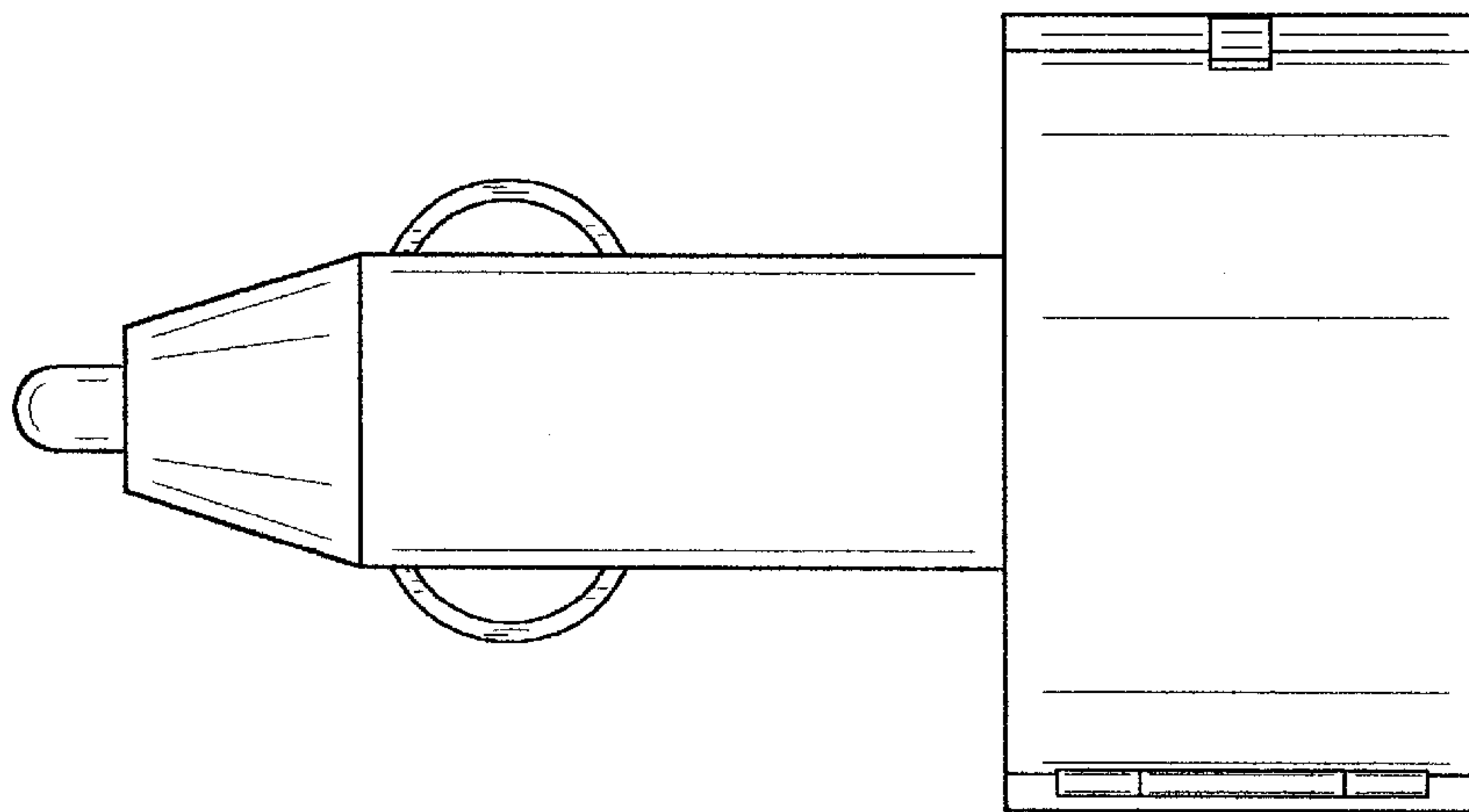


FIG. 5