



US00D485339S

(12) **United States Design Patent**
Klug et al.

(10) **Patent No.:** **US D485,339 S**
(45) **Date of Patent:** **** Jan. 13, 2004**

(54) **AIR FILTER ELEMENT HAVING ATTACHED COVER MEMBER**

Primary Examiner—Lisa Lichtenstein
(74) *Attorney, Agent, or Firm*—Merchant & Gould P.C.

(75) Inventors: **Jerry John Klug**, Rosemount, MN (US); **William Michael Nyman**, Eagan, MN (US); **Bruce Allen Boehrs**, Minneapolis, MN (US)

(57) **CLAIM**

The ornamental design for air filter element having attached cover member, as shown and described.

(73) Assignee: **Donaldson Company, Inc.**, Minneapolis, MN (US)

DESCRIPTION

(**) Term: **14 Years**

FIG. 1 is a perspective view of one embodiment of an air filter element having attached cover member, the filter element being depicted in broken lines and forming no part of the design sought to be patented;

(21) Appl. No.: **29/168,605**

FIG. 2 is a perspective view of the air filter element having attached cover member depicted in FIG. 1, and shown from an opposite perspective view as FIG. 1, the filter element being shown in broken lines and forming no part of the design sought to be patented;

(22) Filed: **Oct. 4, 2002**

Related U.S. Application Data

(60) Division of application No. 29/135,570, filed on Jan. 12, 2001, now Pat. No. Des. 467,654, which is a continuation-in-part of application No. 29/131,120, filed on Oct. 13, 2000, now abandoned.

FIG. 3 is a right side elevational view of the air filter element having attached cover member depicted in FIG. 1, the filter element being shown in broken lines and forming no part of the design sought to be patented; the left side elevational view being a mirror image thereof;

(51) **LOC (7) Cl.** **23-04**

(52) **U.S. Cl.** **D23/365**

(58) **Field of Search** D23/365; 55/510, 55/498, 501

FIG. 4 is a top plan view of the air filter element having attached cover member depicted in FIG. 1, the filter element being depicted in broken lines and forming no part of the design sought to be patented;

(56) **References Cited**

U.S. PATENT DOCUMENTS

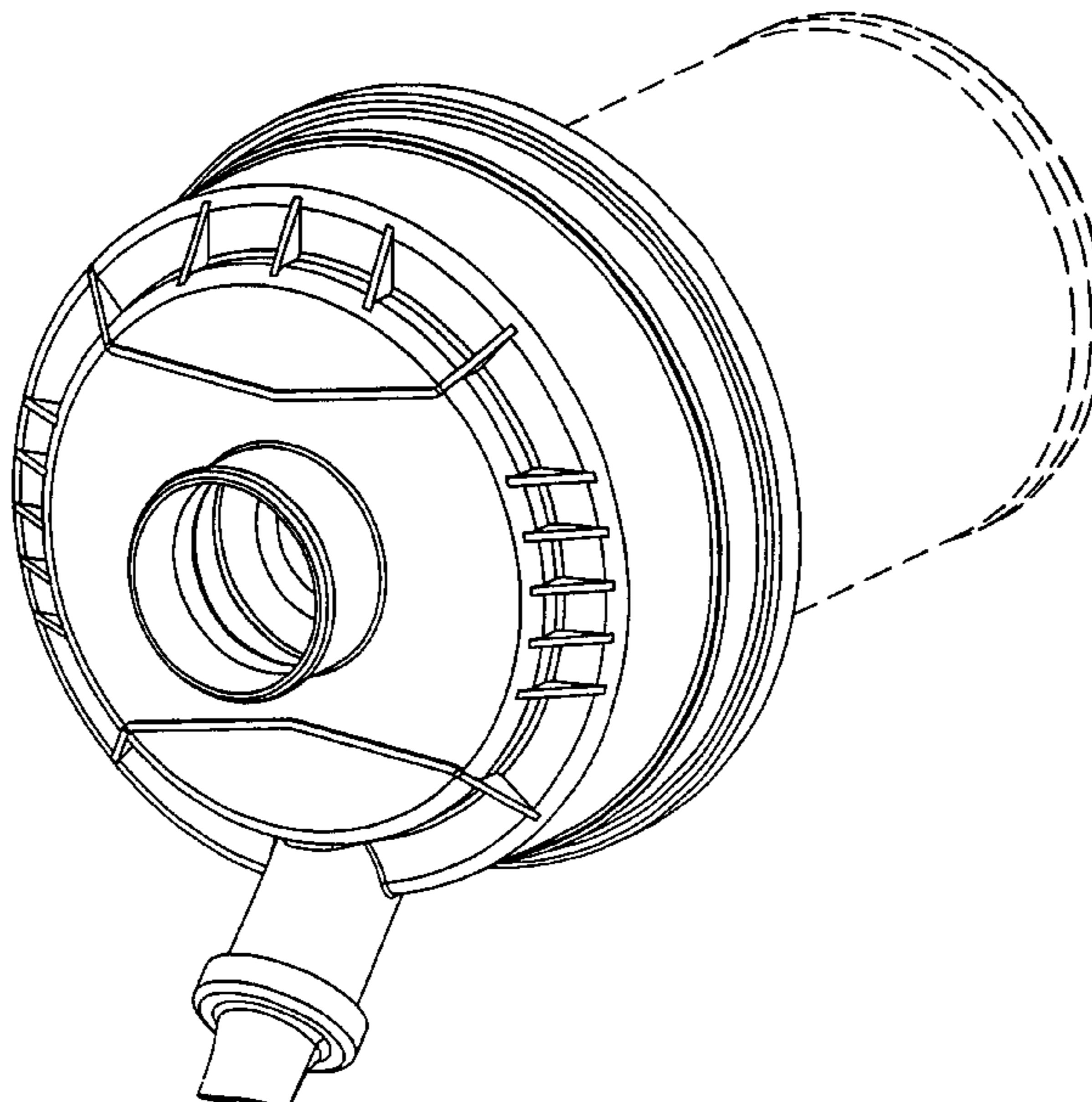
4,350,509 A	9/1982	Alseth et al.
5,112,372 A	5/1992	Boeckermann et al.
5,800,581 A	9/1998	Gielink et al.
D401,306 S	11/1998	Ward et al.
D407,475 S	3/1999	Coulonvaux et al.
D412,567 S	8/1999	Ward et al.
D412,568 S	8/1999	Ward et al.
D421,110 S	2/2000	Coulonvaux et al.
6,051,042 A	4/2000	Coulonvaux

FIG. 5 is a bottom plan view of the air filter element having attached cover member depicted in FIG. 1, the filter element being depicted in broken lines and forming no part of the design sought to be patented;

FIG. 6 is a front end elevational view of the air filter element having attached cover member depicted in FIG. 1; and,

FIG. 7 is a rear end elevational view of the air filter element having attached cover member depicted in FIG. 1, the filter element being depicted in broken lines and forming no part of the design sought to be patented.

1 Claim, 7 Drawing Sheets



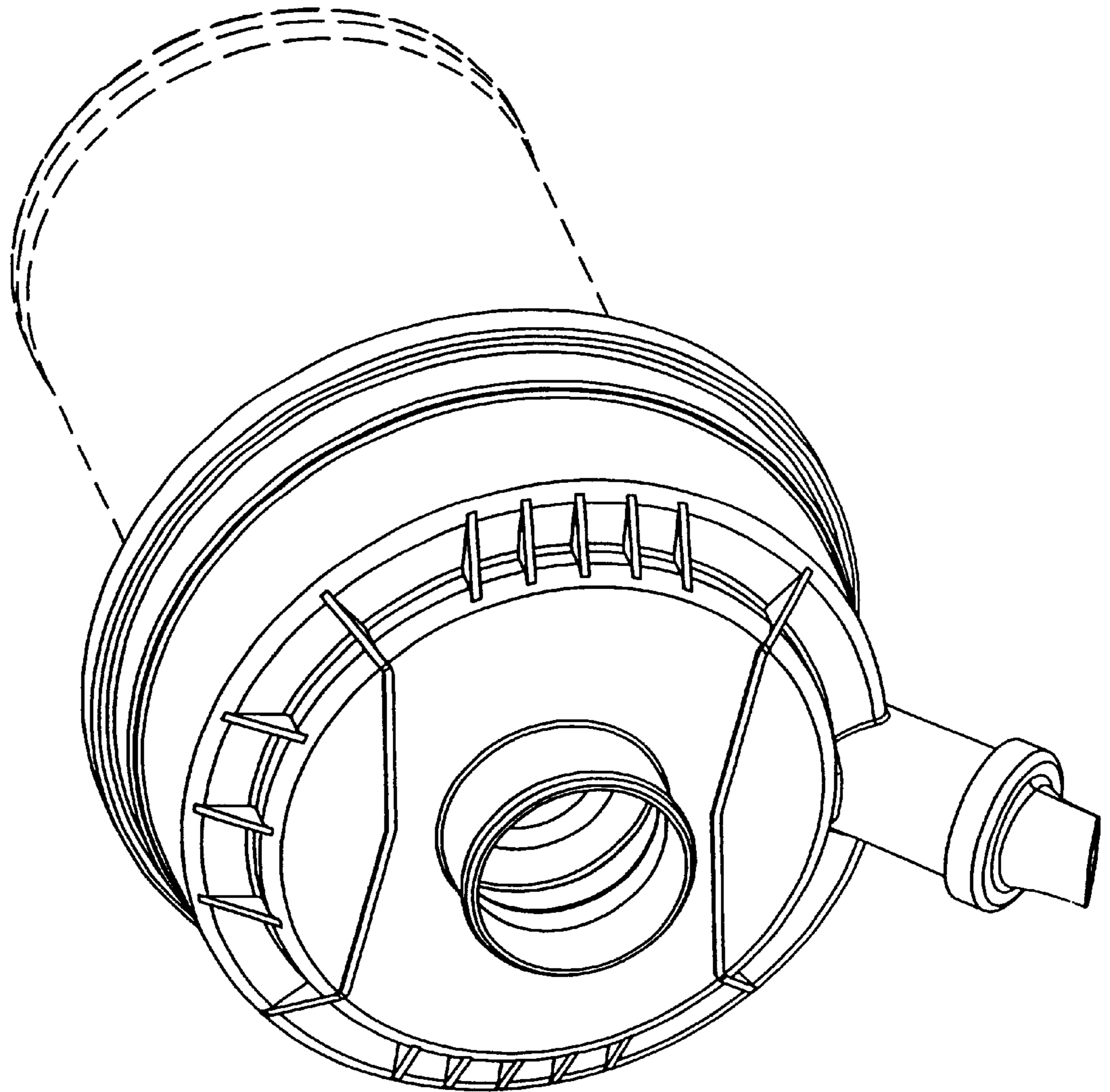


FIG. 1

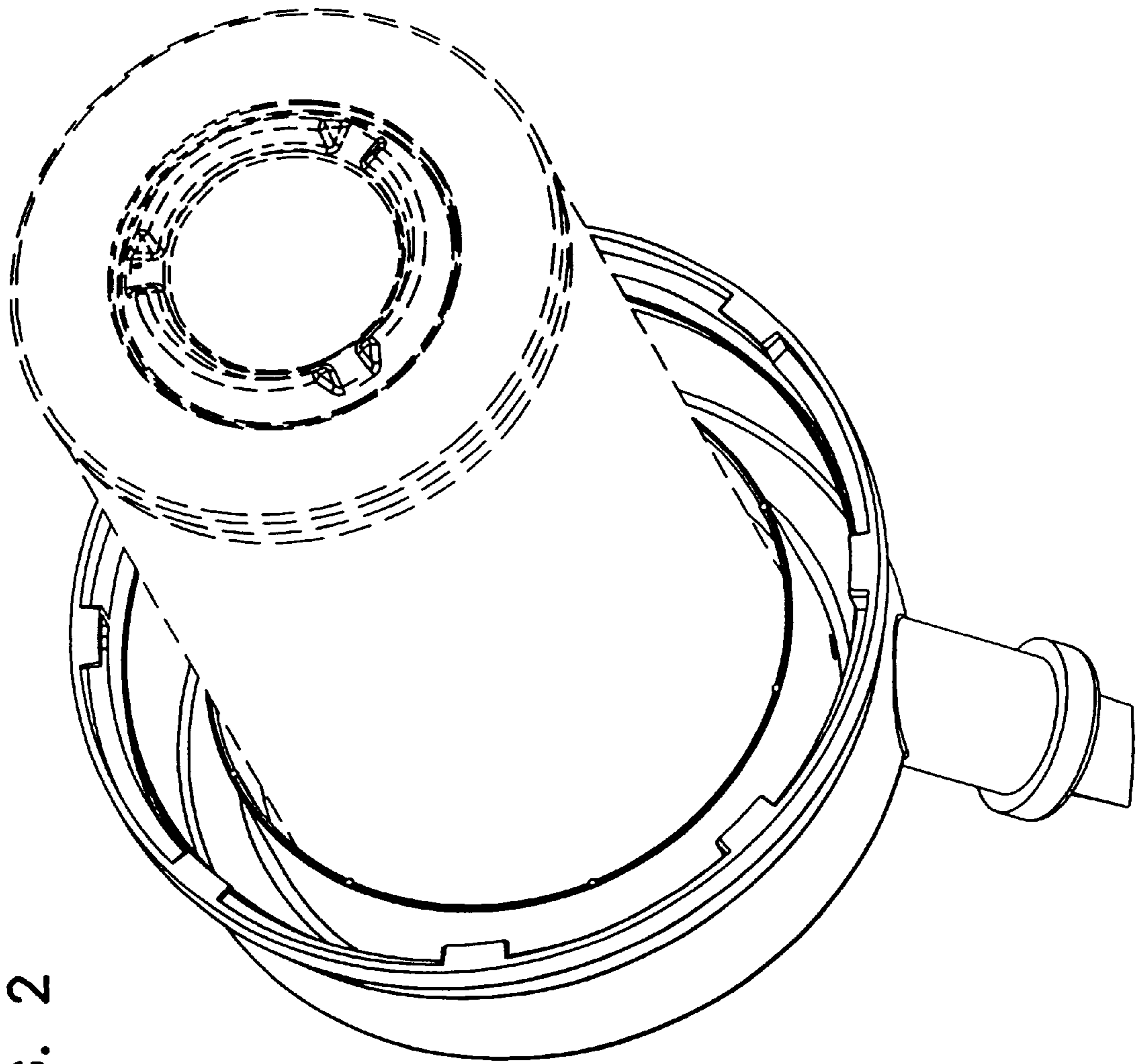


FIG. 2

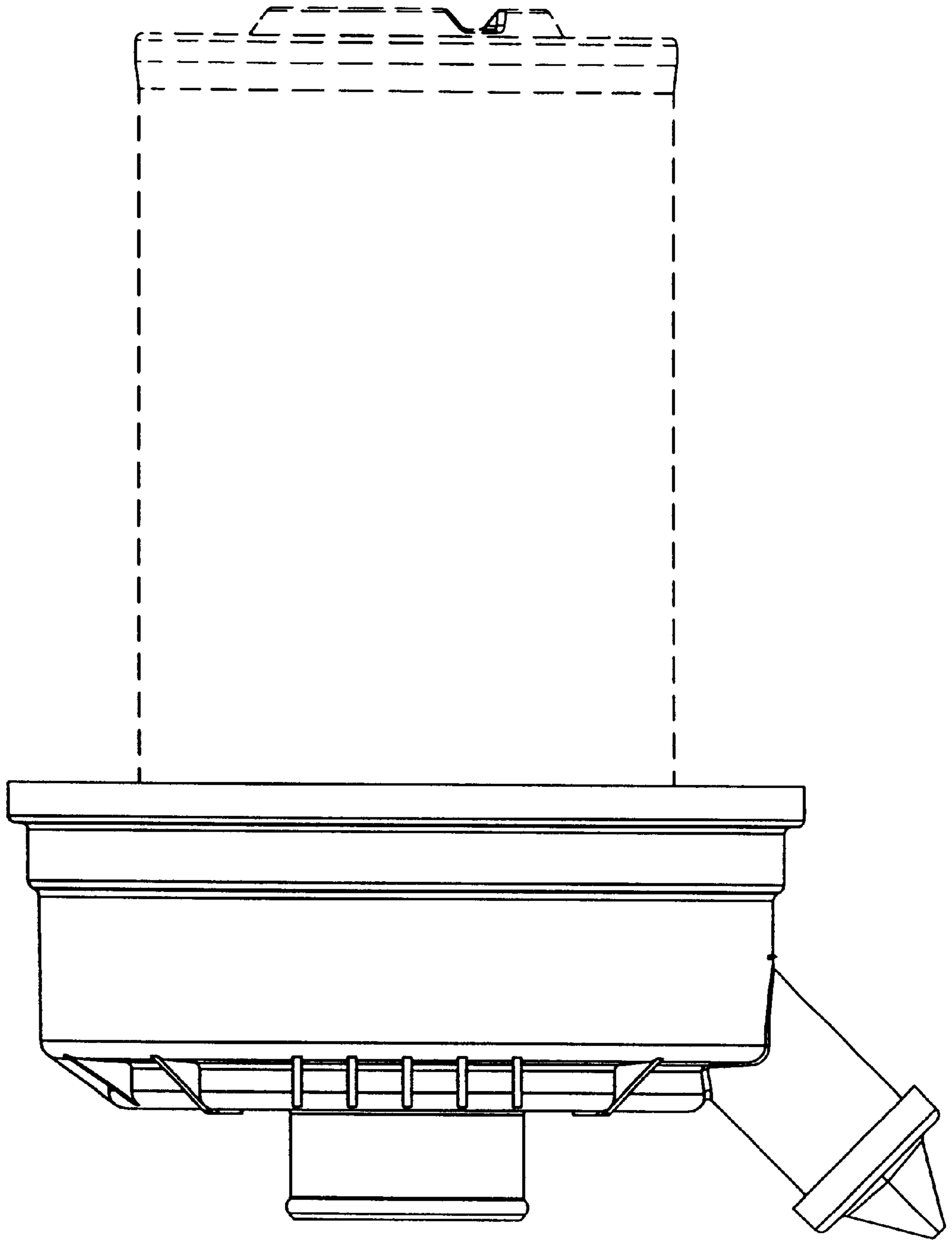


FIG. 3

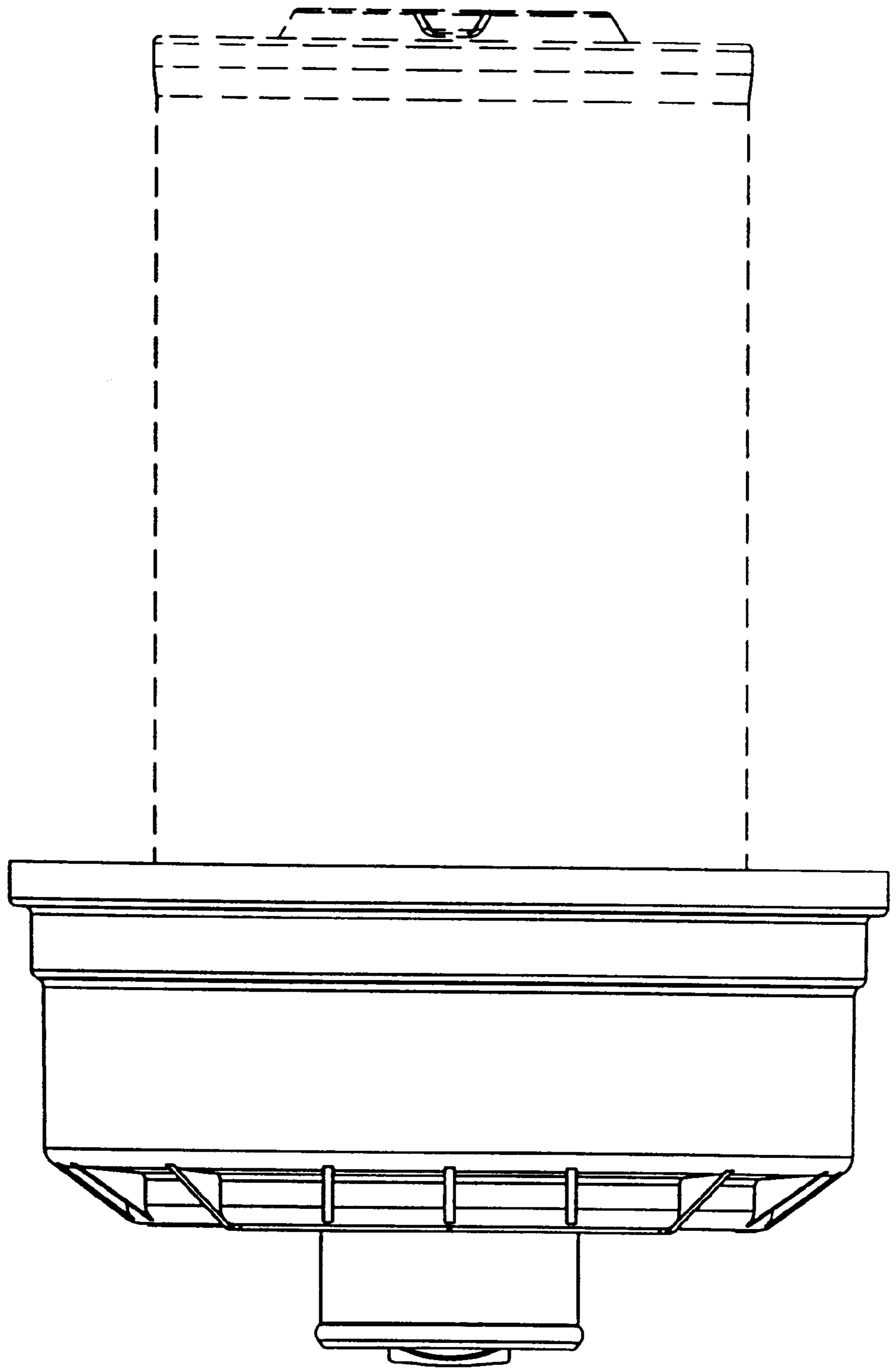


FIG. 4

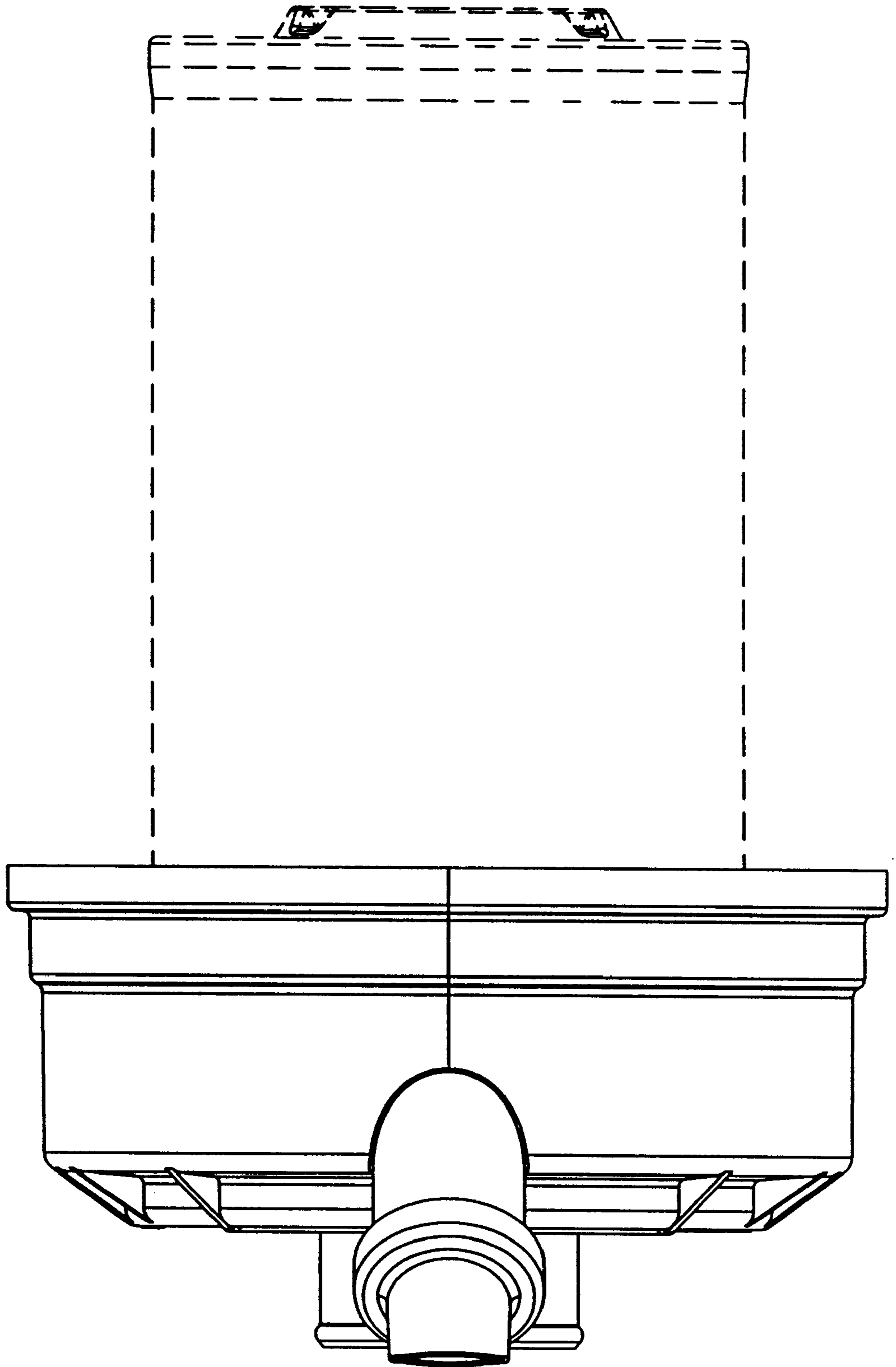


FIG. 5

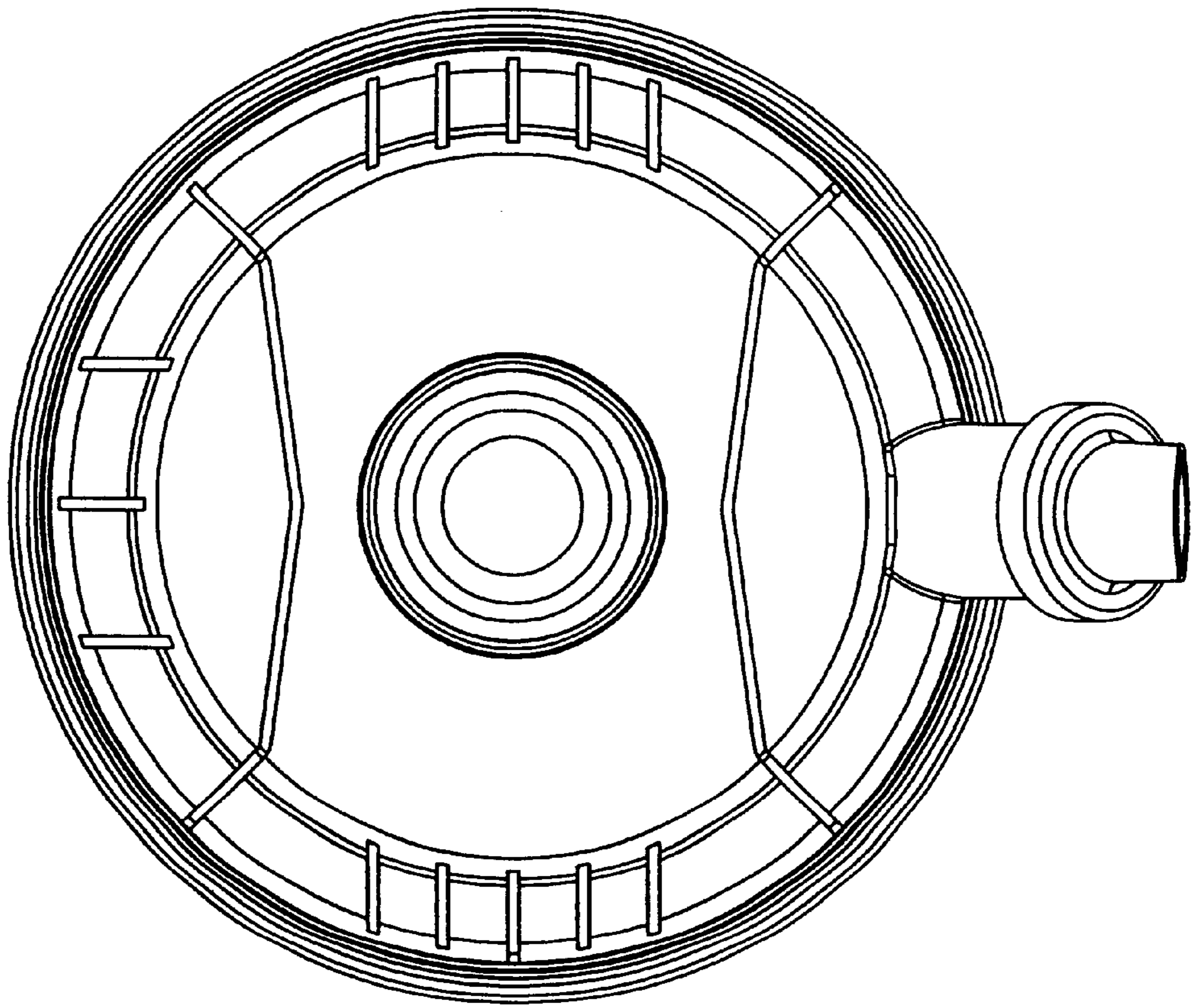


FIG. 6

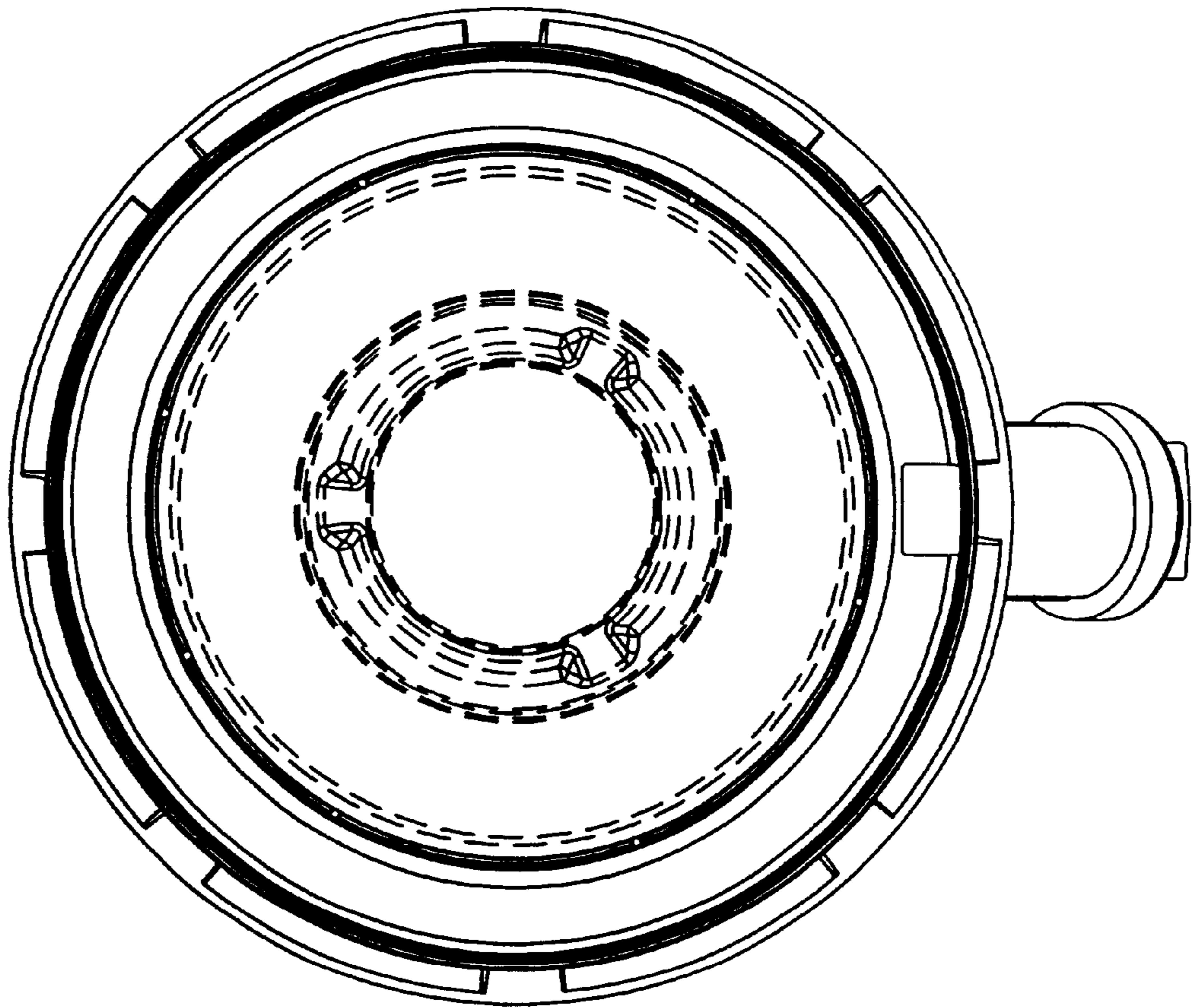


FIG. 7