



US00D485337S

(12) **United States Design Patent**
Tani et al.

(10) **Patent No.:** **US D485,337 S**

(45) **Date of Patent:** **** Jan. 13, 2004**

(54) **COMBINATION TOILET SEAT AND BIDET SET**

(75) Inventors: **Minoru Tani**, Kitakyushu (JP); **Ken Igarashi**, Kitakyushu (JP)

(73) Assignee: **Toto Ltd.**, Fukuoka (JP)

(**) Term: **14 Years**

(21) Appl. No.: **29/178,163**

(22) Filed: **Mar. 20, 2003**

(30) **Foreign Application Priority Data**

Dec. 25, 2002 (JP) 2002-035758

(51) **LOC (7) Cl.** **23-02**

(52) **U.S. Cl.** **D23/311**

(58) **Field of Search** D23/309, 303,
D23/311-312; 4/661, 217, 234, 237, 242.1,
246.5

(56) **References Cited**

U.S. PATENT DOCUMENTS

D402,740 S	*	12/1998	Ochi et al.	D23/311
D432,220 S	*	10/2000	Hulsebus et al.	D23/311
D458,990 S	*	6/2002	Yamanaka et al.	D23/311
D463,853 S	*	10/2002	Yamanaka et al.	D23/311
D471,966 S	*	3/2003	Hatakenaka et al.	D23/311

* cited by examiner

Primary Examiner—Louis S. Zarfaz
Assistant Examiner—Robert A. Delehanty
(74) *Attorney, Agent, or Firm*—Jordan and Hamburg LLP

(57) **CLAIM**

The ornamental design for a combination toilet seat and bidet set, as shown.

DESCRIPTION

FIG. 1 is a front perspective view of the combination toilet seat and bidet embodying the design;
FIG. 2 is a front view of the combination toilet seat and bidet;
FIG. 3 is a back view of the combination toilet seat and bidet;
FIG. 4 is a top view of the combination toilet seat and bidet;
FIG. 5 is a bottom view of the combination toilet seat and bidet;
FIG. 6 is a left side elevation of the combination toilet seat and bidet;
FIG. 7 is a right side elevation of the combination toilet seat and bidet;
FIG. 8 is a cross sectional view taken on line 8—8 of FIG. 2; and,
FIG. 9 is a front perspective view of the combination toilet seat and bidet with the cover opened.

1 Claim, 4 Drawing Sheets

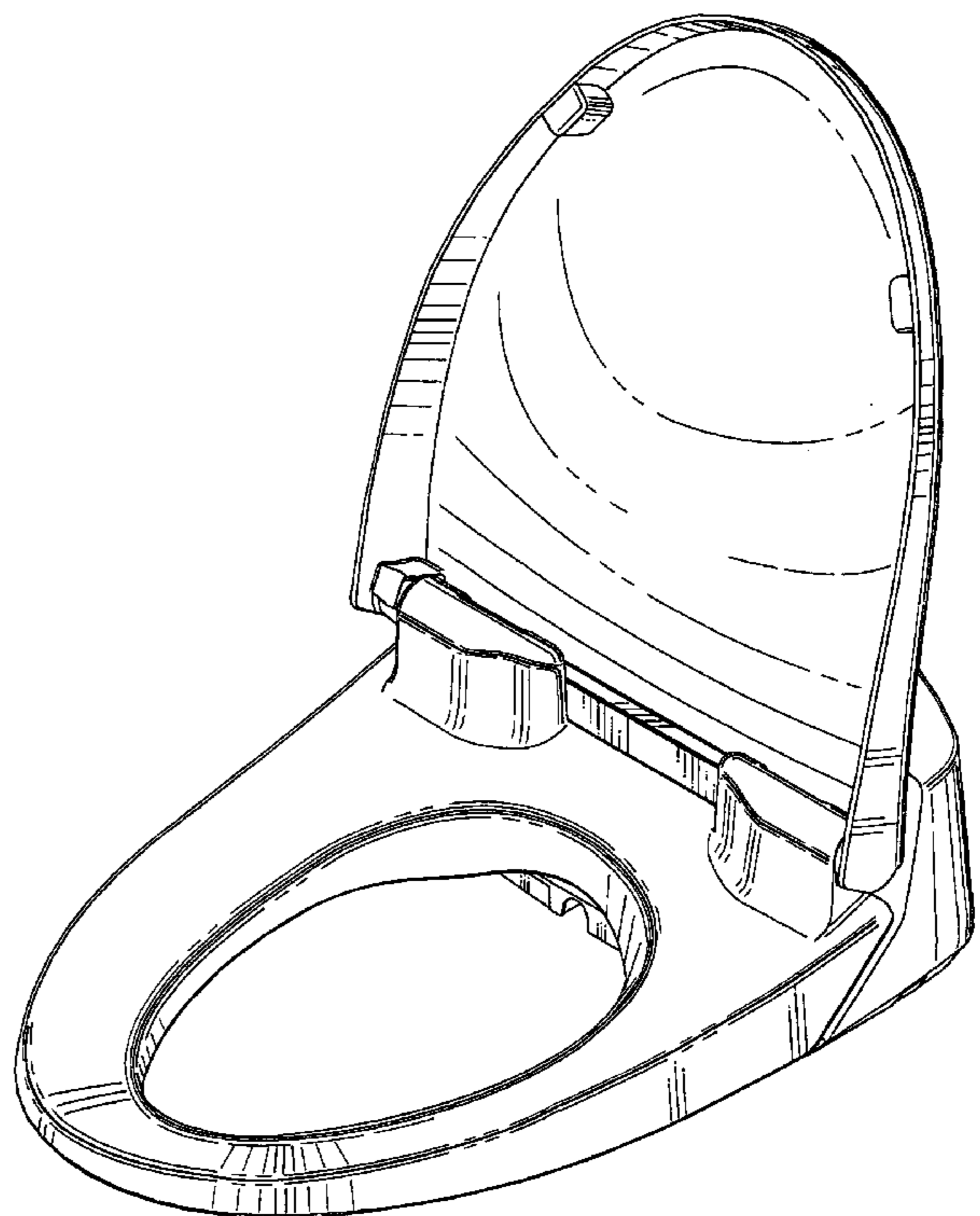
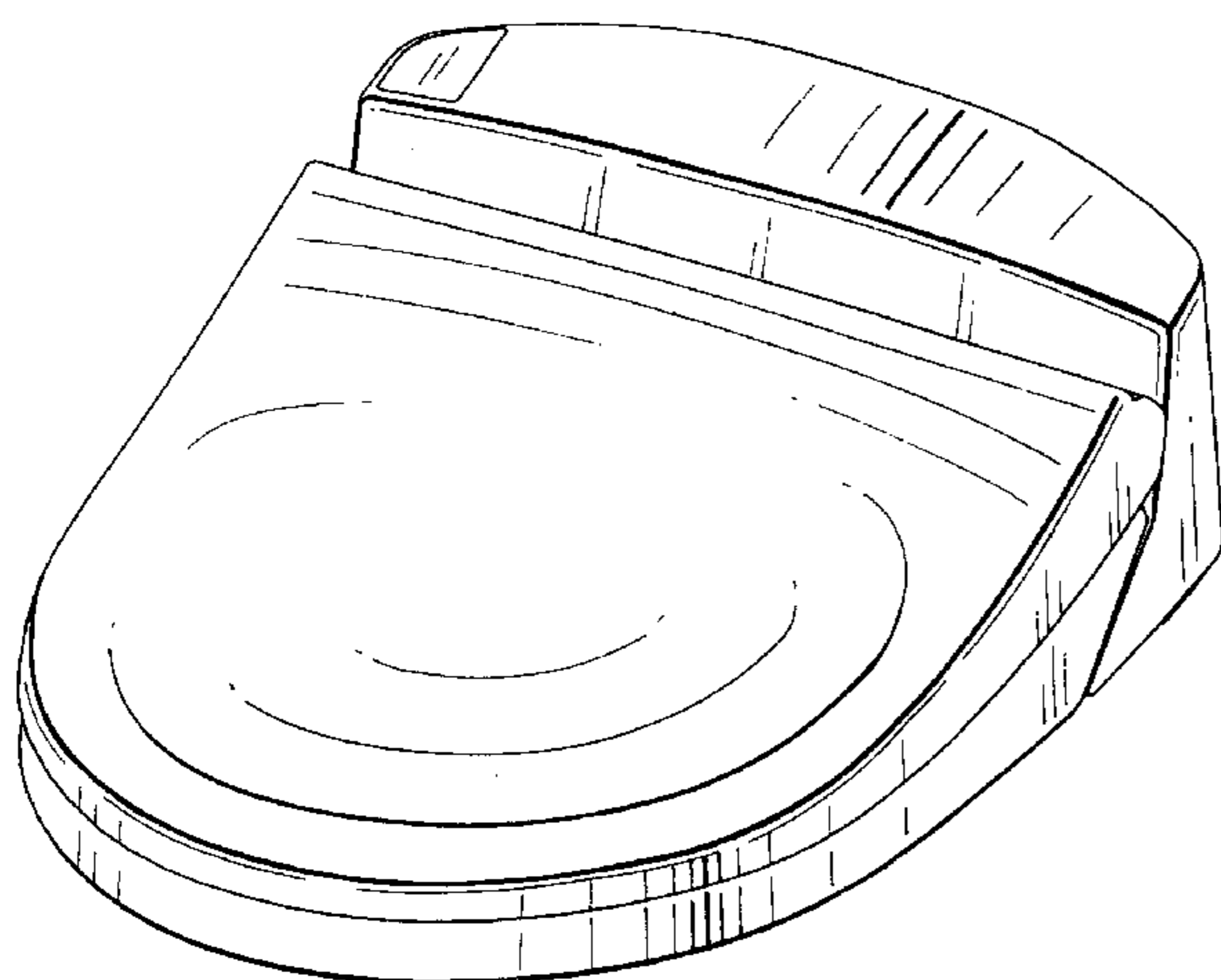


FIG. 1

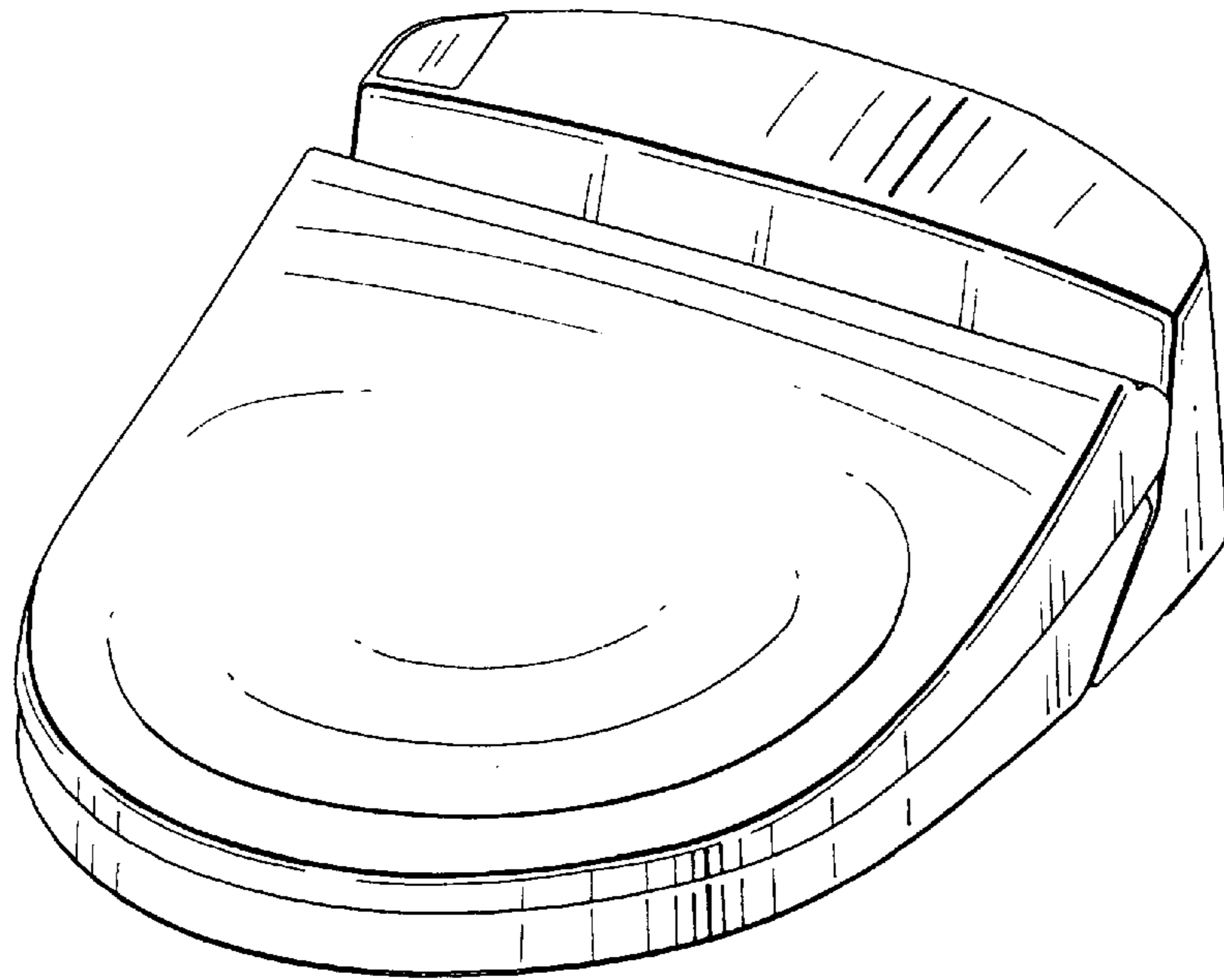
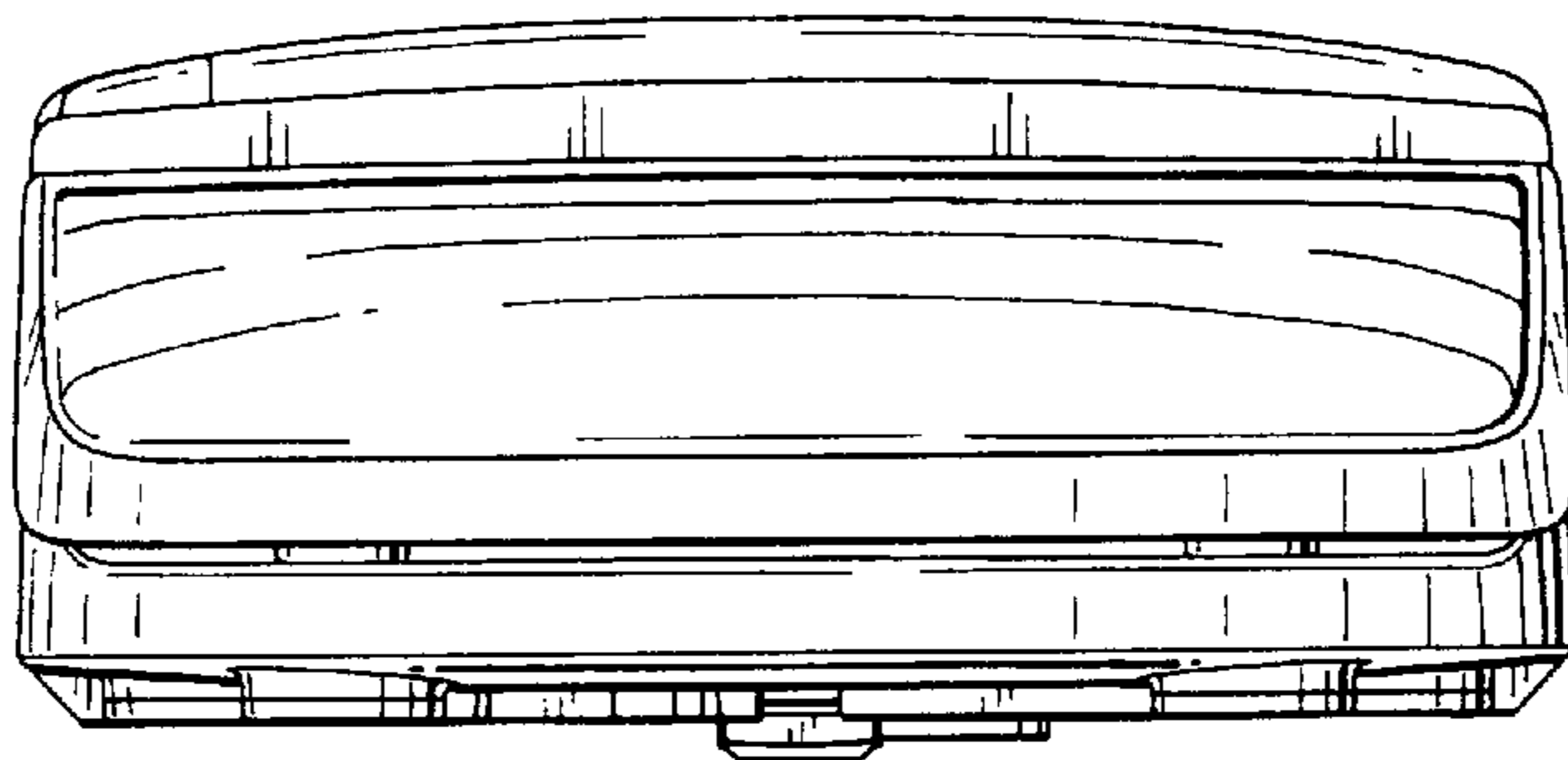


FIG. 2

8 ←



8 ←

FIG. 3

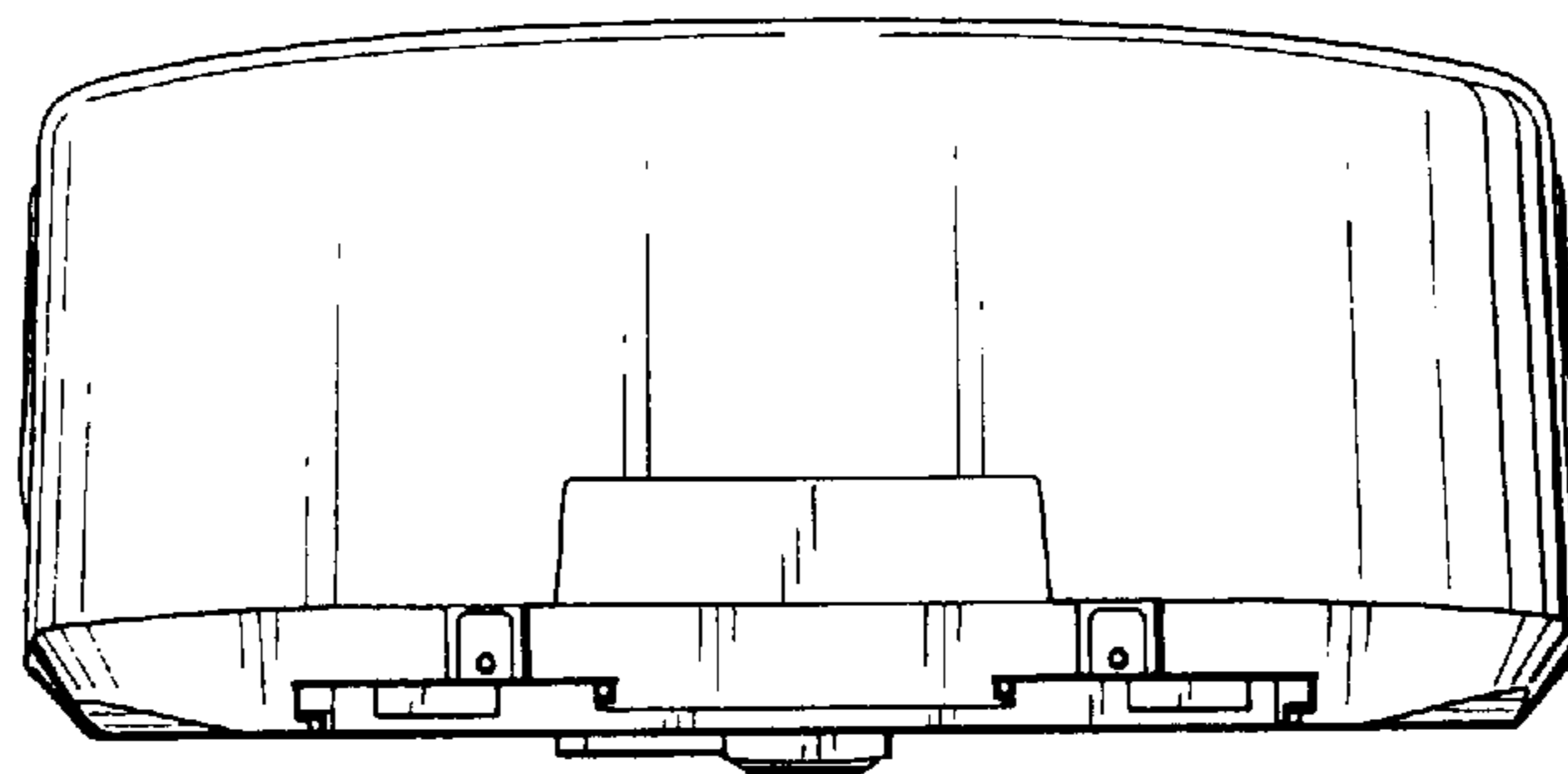


FIG. 4

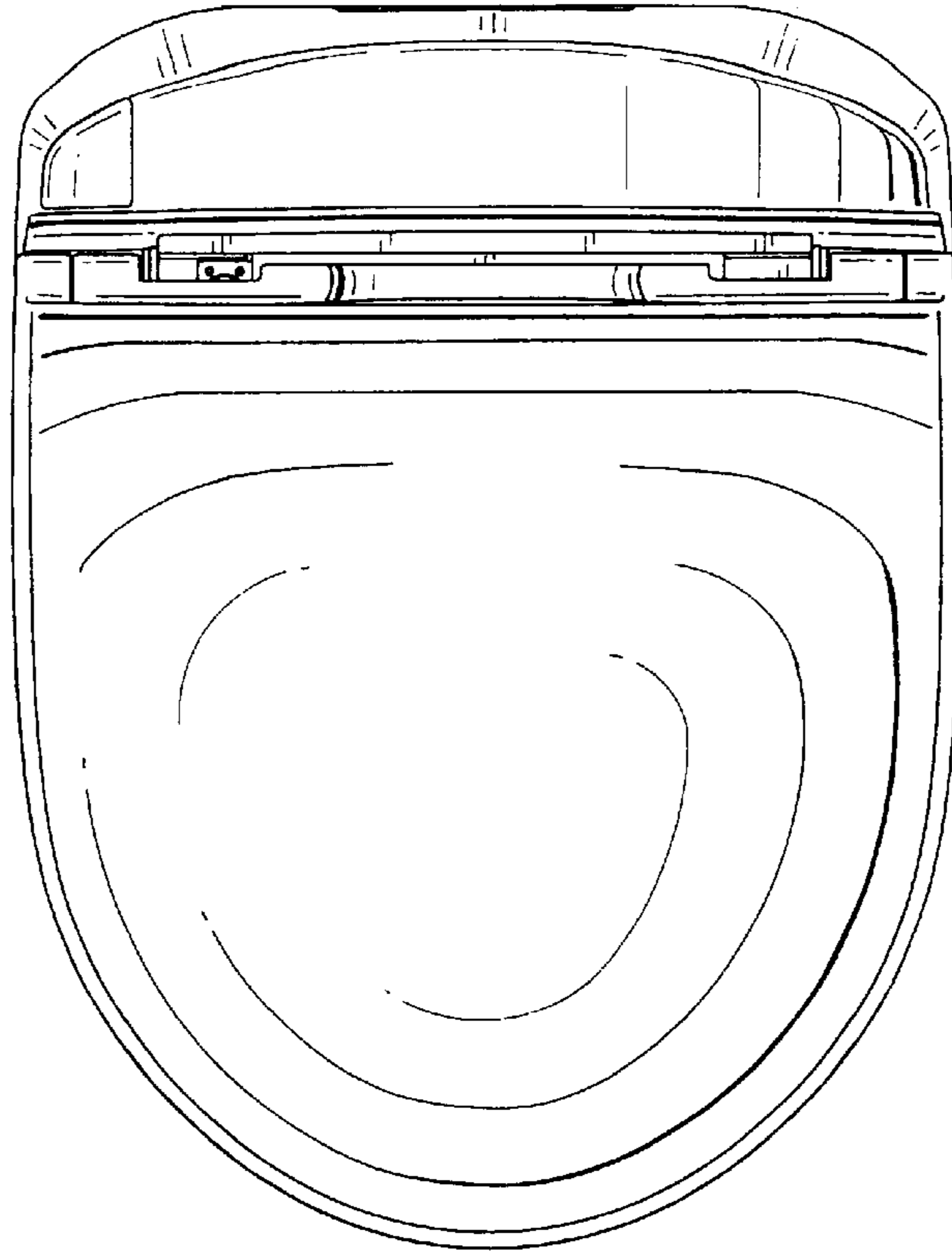


FIG. 5

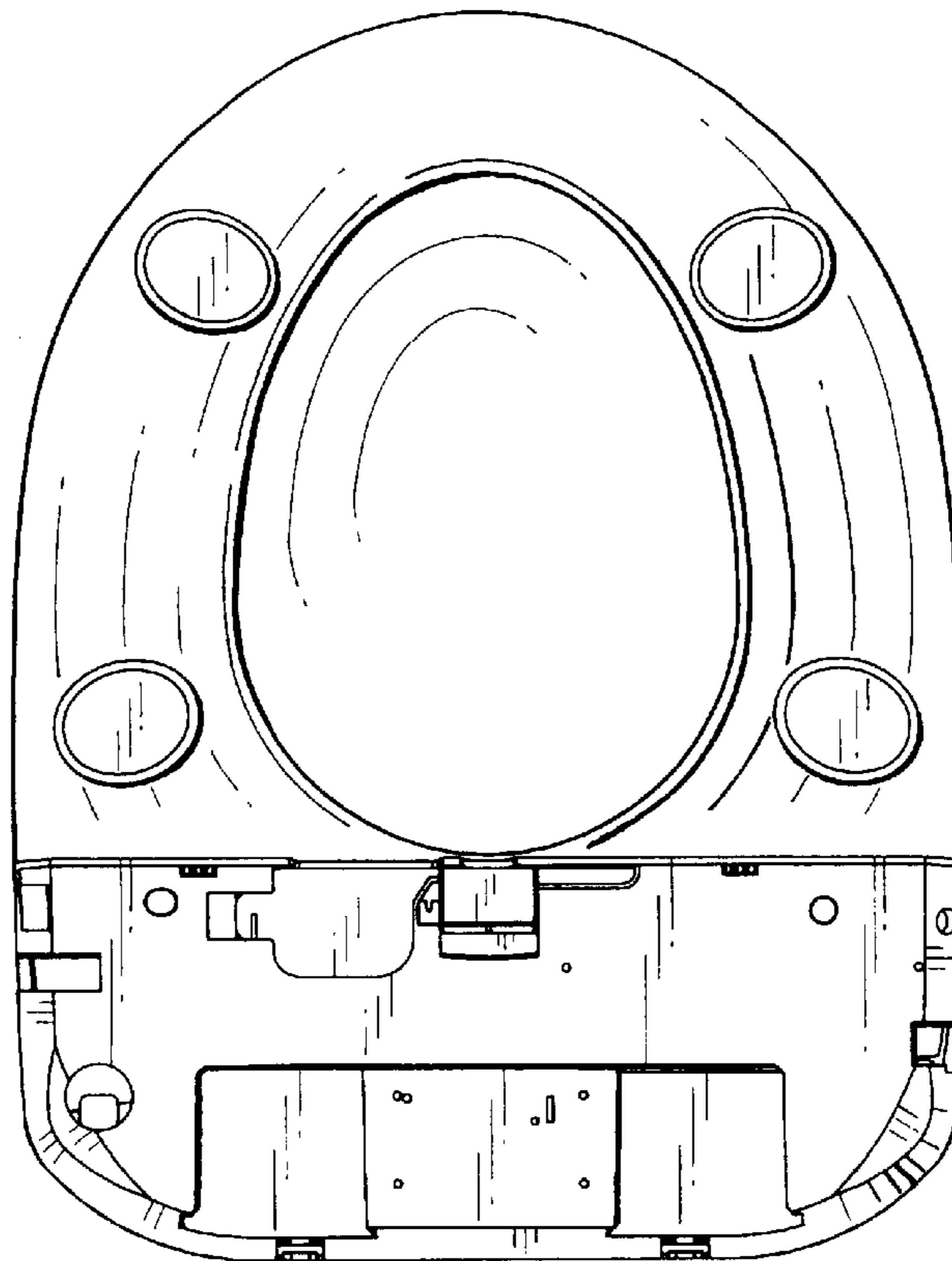


FIG. 6

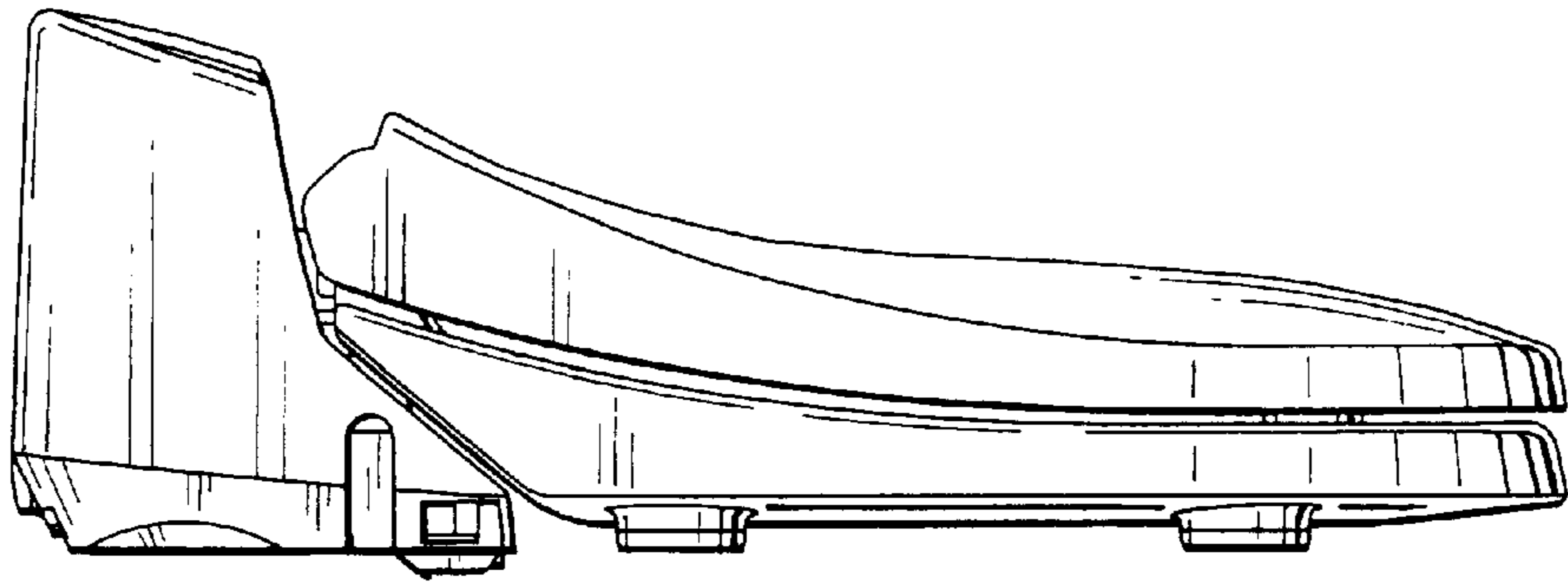


FIG. 7

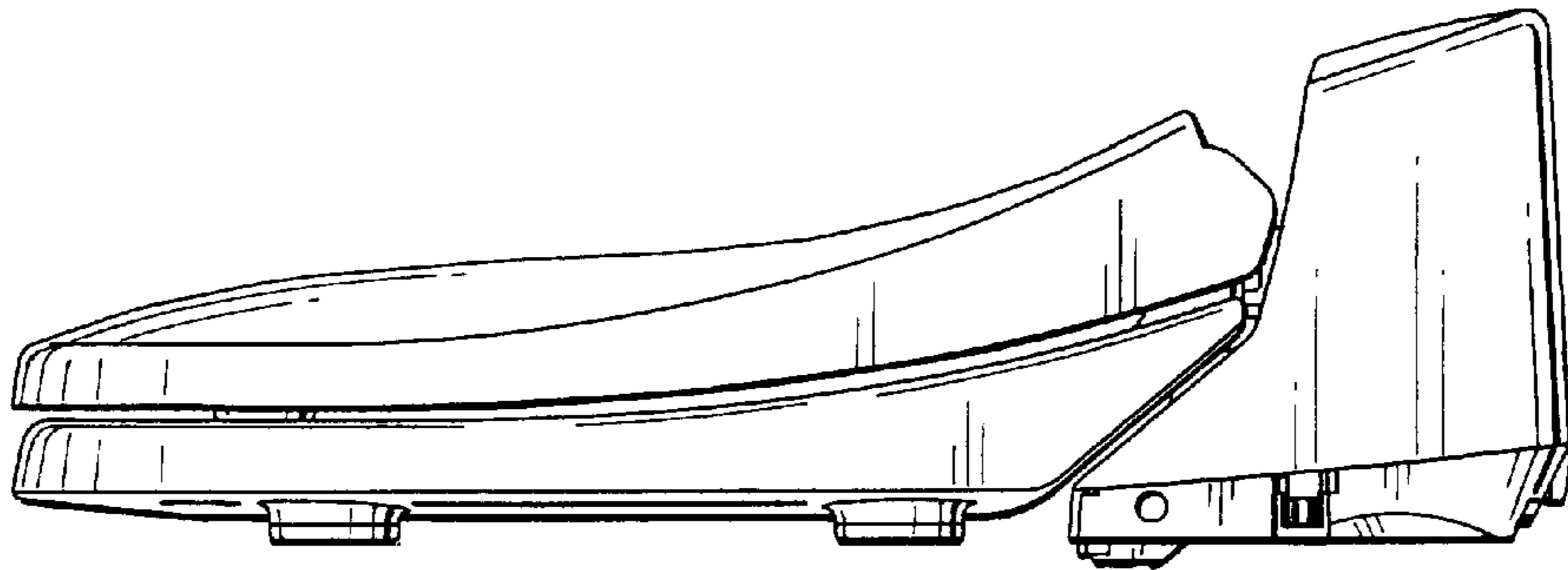


FIG. 8

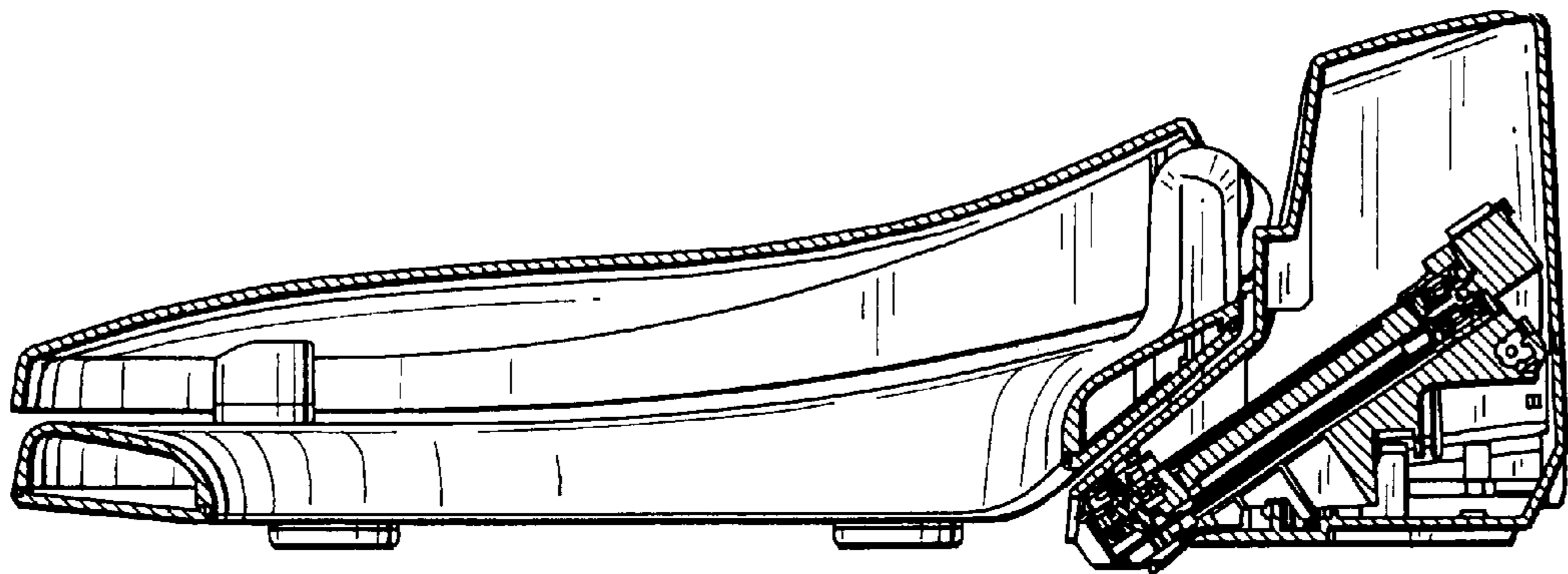


FIG. 9

