



US00D485335S

(12) **United States Design Patent**
Fritz

(10) **Patent No.:** **US D485,335 S**

(45) **Date of Patent:** **** Jan. 13, 2004**

(54) **TOILET BENCH**

6,189,161 B1 2/2001 Rijn et al. 4/321
D454,185 S * 3/2002 Lantigua et al. D23/311

(76) Inventor: **Michael B. Fritz**, 3231 Glacier Ct.,
Dexter, MI (US) 48130

* cited by examiner

(**) Term: **14 Years**

Primary Examiner—Louis S. Zarfes
Assistant Examiner—Robert A. Delehanty
(74) *Attorney, Agent, or Firm*—Harness, Dickey & Pierce,
P.L.C.

(21) Appl. No.: **29/174,221**

(22) Filed: **Jan. 14, 2003**

(57) **CLAIM**

(51) **LOC (7) Cl.** **23-02**

The ornamental design for a toilet bench, as shown and described.

(52) **U.S. Cl.** **D23/309**

(58) **Field of Search** D23/273–274,
D23/295–299, 303, 309–310; 4/661, 300,
312, 449, 460

DESCRIPTION

(56) **References Cited**

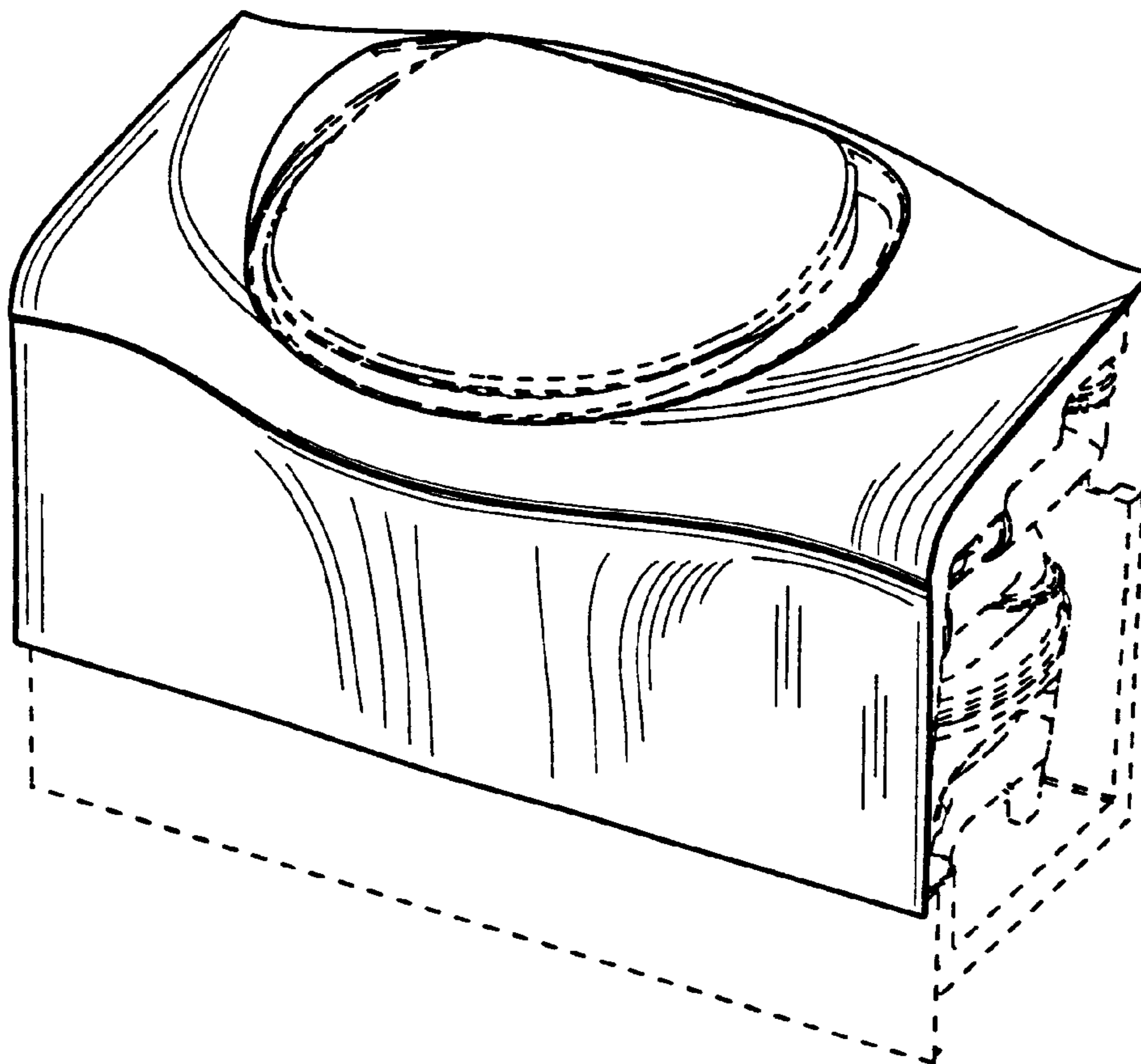
U.S. PATENT DOCUMENTS

2,749,968	A	*	6/1956	Suser	4/661
D193,169	S	*	7/1962	Wood	D23/299
D236,896	S	*	9/1975	Nordgren	D23/299
4,145,773	A		3/1979	Sargent et al.	4/321
4,776,631	A		10/1988	Sargent et al.	296/156
4,805,660	A		2/1989	Antos et al.	137/202
4,908,885	A		3/1990	Antos	4/321
4,944,048	A		7/1990	Sargent et al.	4/323
5,031,249	A		7/1991	Sargent	4/321

FIG. 1 is a front perspective view of a toilet bench showing our new design.
FIG. 2 is a front view thereof.
FIG. 3 is a rear side view thereof.
FIG. 4 is a right view thereof.
FIG. 5 is a left side view thereof.
FIG. 6 is a bottom view thereof; and,
FIG. 7 is a top view thereof.

It will be understood that the hidden lines shown throughout the drawings are for illustrative purposes only and form no part of the present invention.

1 Claim, 4 Drawing Sheets



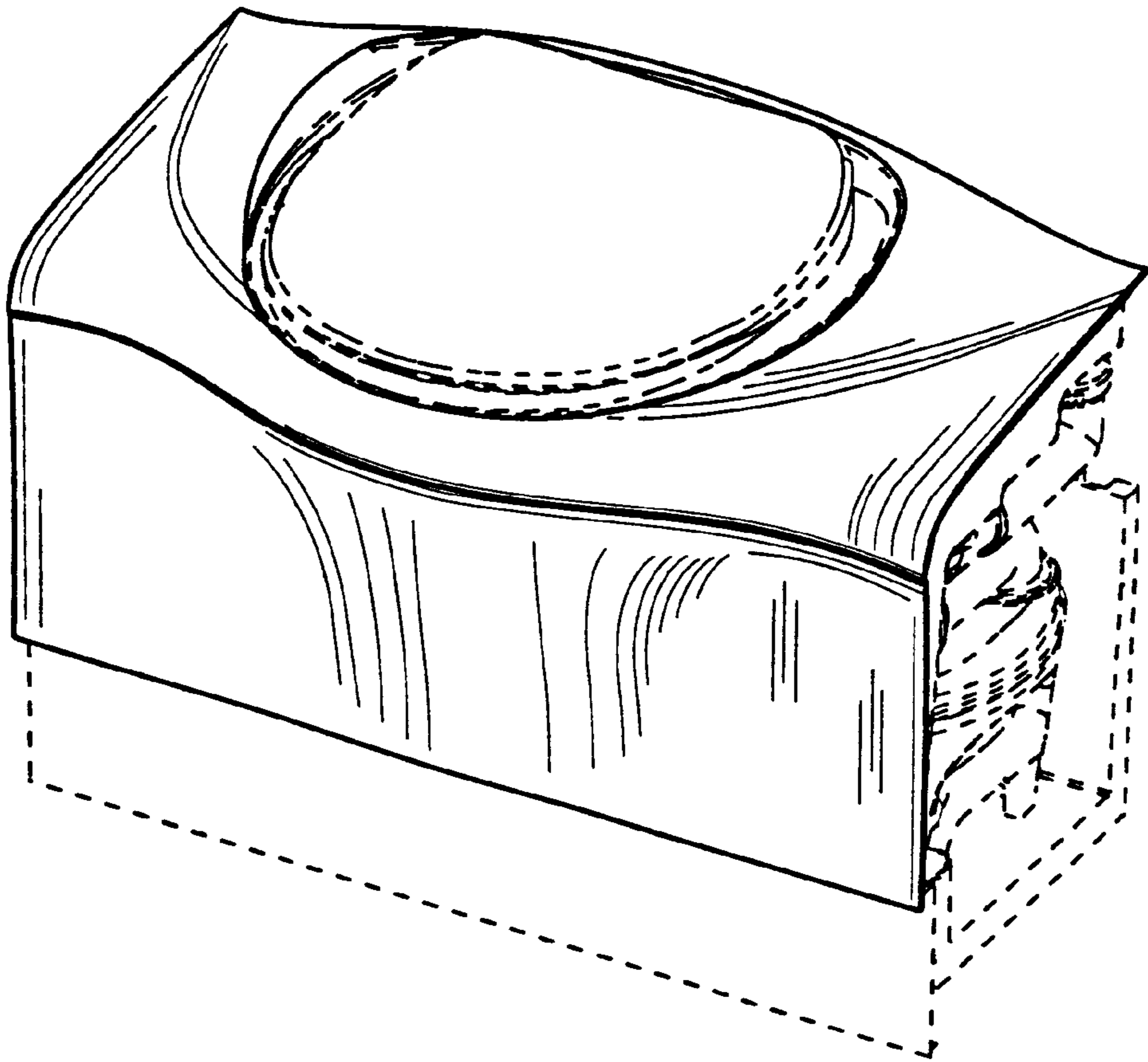


Fig. 1

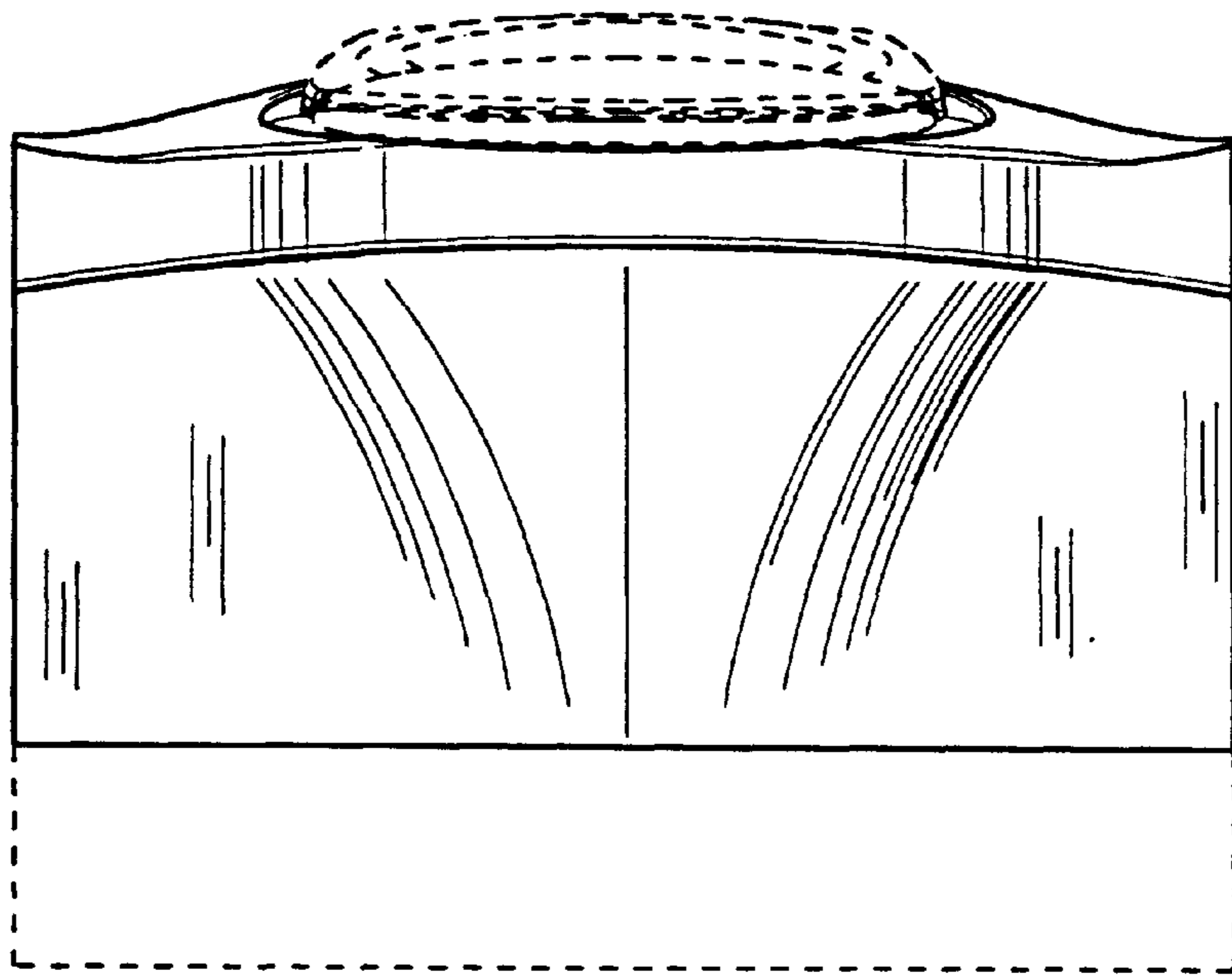


Fig. 2

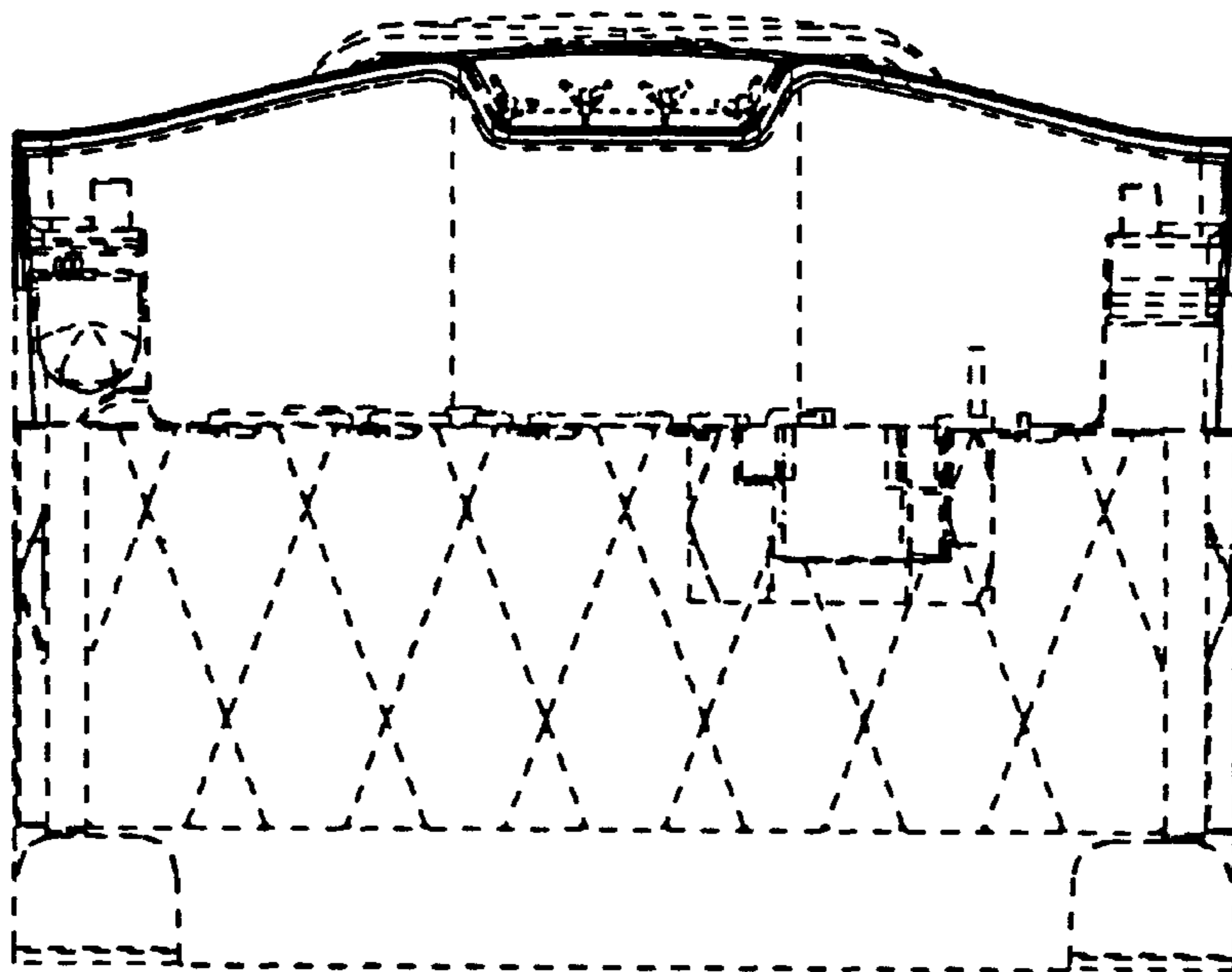


Fig. 3

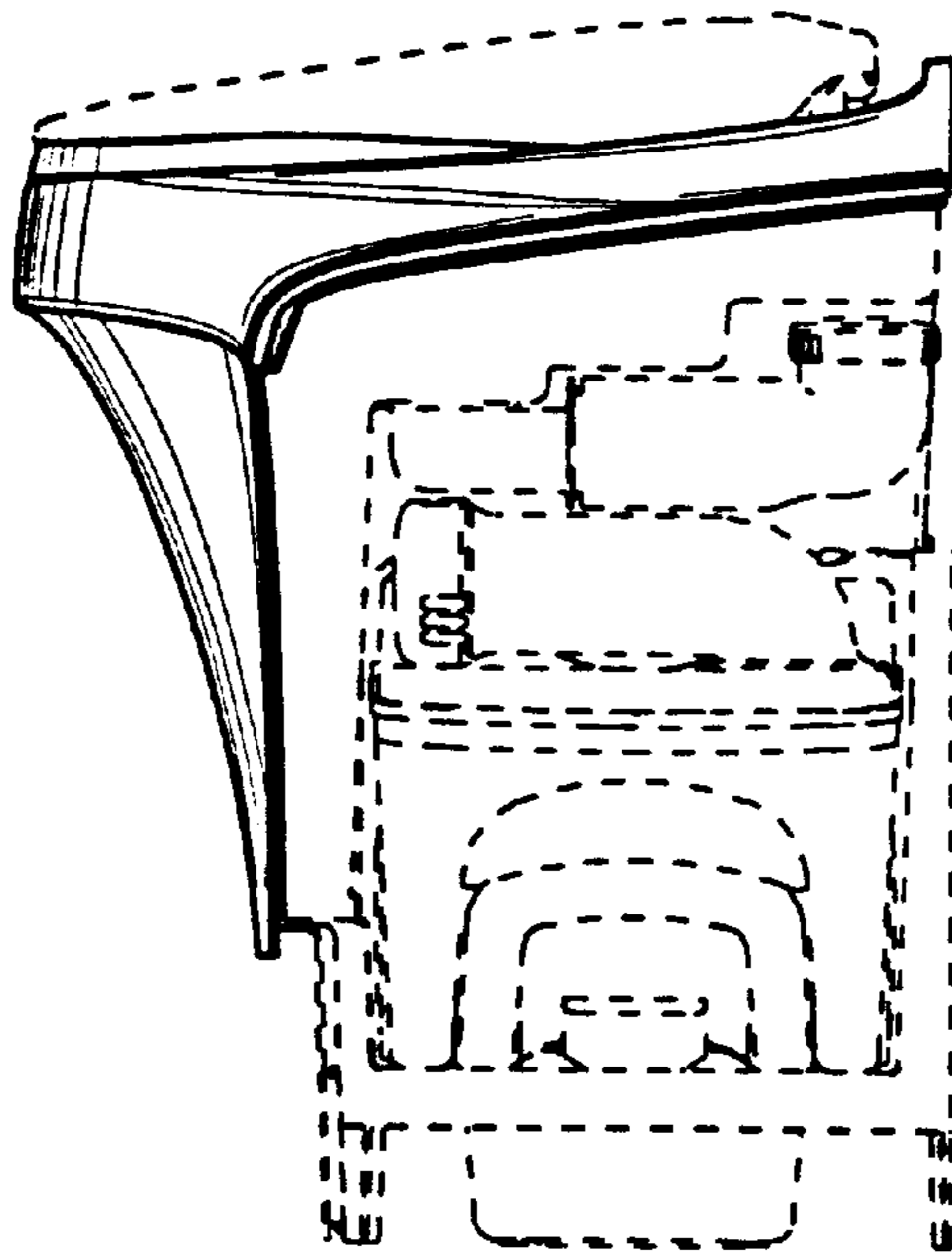


Fig. 4

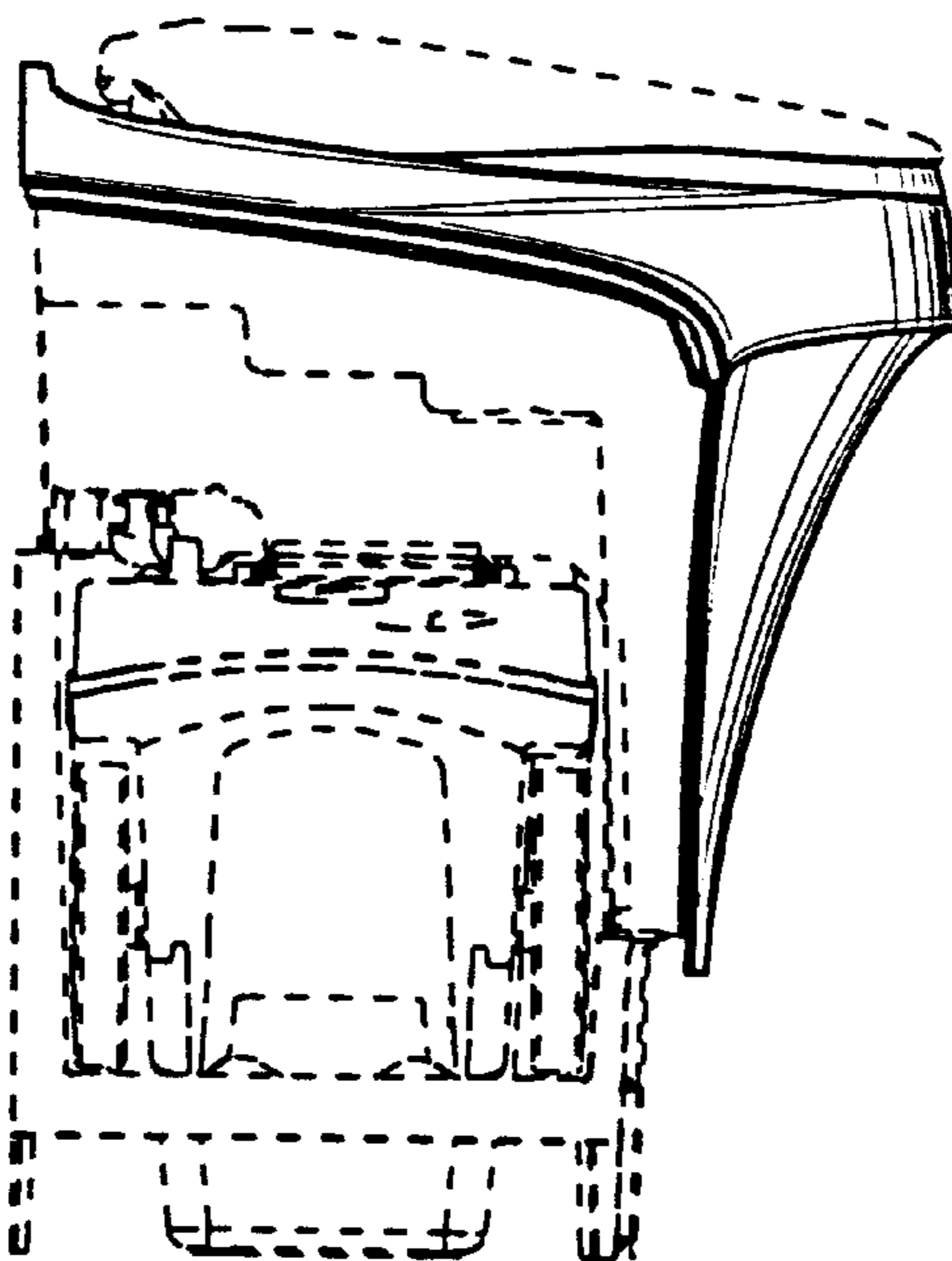


Fig. 5

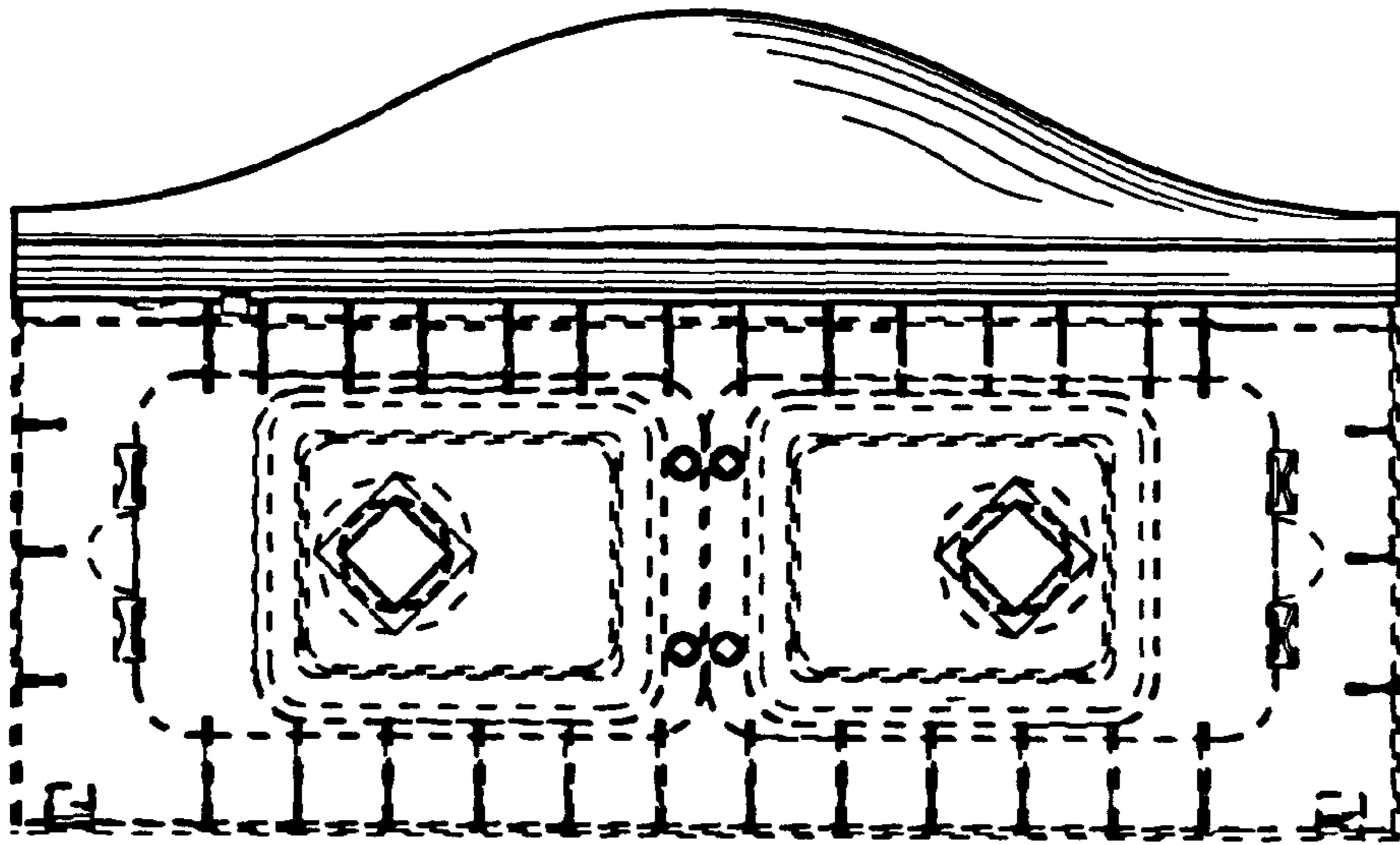


Fig. 6

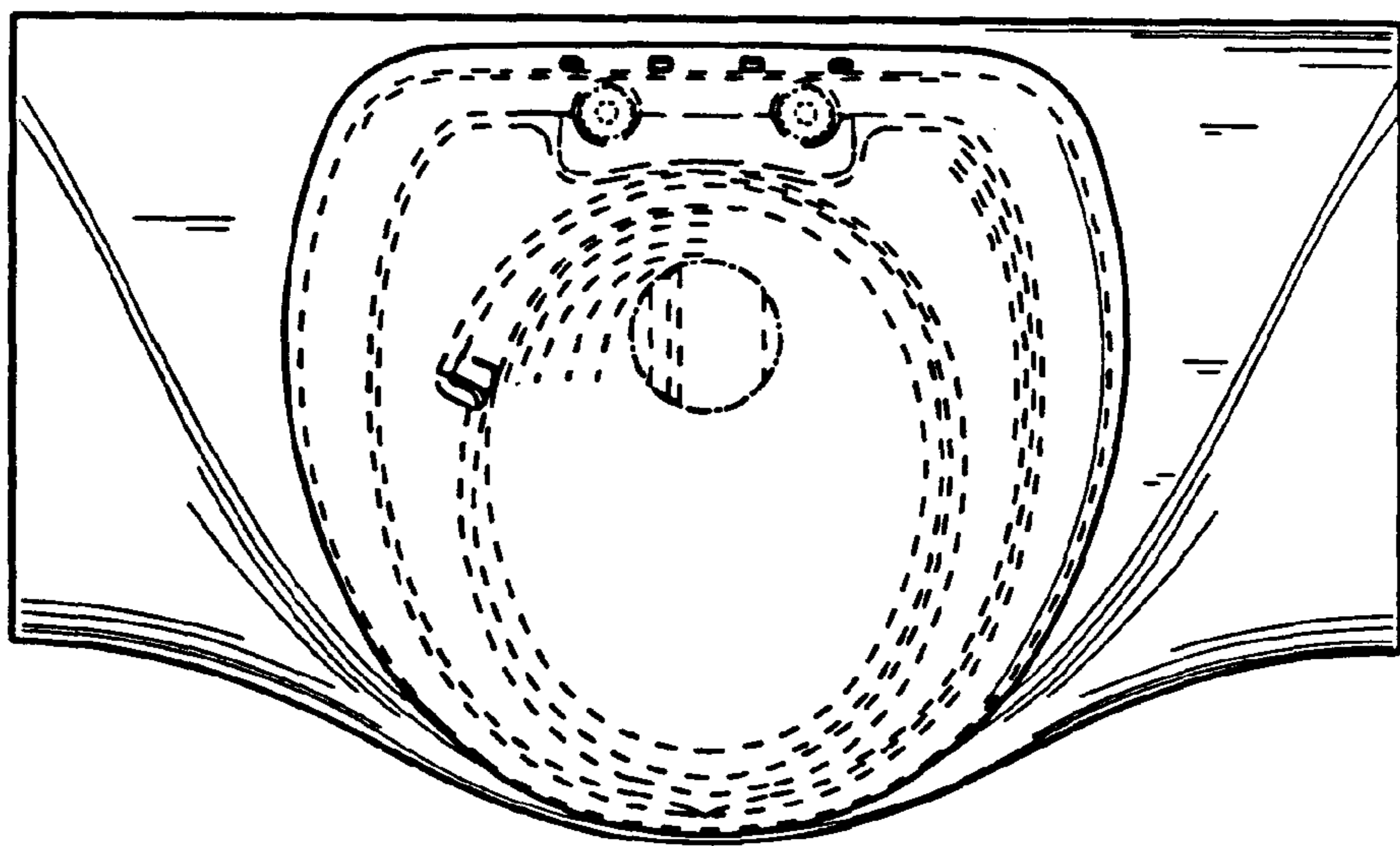


Fig. 7