



US00D485334S

(12) **United States Design Patent**  
**Fritz**

(10) **Patent No.:** **US D485,334 S**

(45) **Date of Patent:** **\*\* Jan. 13, 2004**

(54) **FLUSH TOILET SHROUD**

(75) **Inventor:** **Michael B. Fritz, Dexter, MI (US)**

(73) **Assignee:** **Thetford Corporation, Ann Arbor, MI (US)**

(\*\*) **Term:** **14 Years**

(21) **Appl. No.:** **29/171,809**

(22) **Filed:** **Nov. 30, 2002**

(51) **LOC (7) Cl.** ..... **23-02**

(52) **U.S. Cl.** ..... **D23/309**

(58) **Field of Search** ..... **D23/273-274,**  
**D23/295-301, 303, 309, 311-313; 4/611,**  
**667, 300, 328-329, 347, 348, 332, 353,**  
**420, 440, 443-446, 449, 460, 217, 234,**  
**237, 242.1, 902**

(56) **References Cited**

**U.S. PATENT DOCUMENTS**

650,897 A	6/1900	Hinsdale	
2,089,775 A	8/1937	Wexelberg et al.	4/12
2,658,201 A	10/1953	Sherwood	4/1
3,149,346 A	9/1964	Springer	4/135
3,591,868 A	7/1971	Owens	4/14
3,883,903 A *	5/1975	Broek et al.	4/440
3,932,901 A *	1/1976	Inui et al.	4/332
4,368,551 A	1/1983	Cummings	4/661

4,710,988 A *	12/1987	Stewart	4/440 X
5,060,320 A	10/1991	Sargent et al.	4/438
5,231,706 A	8/1993	Kendall	4/329
D347,496 S *	5/1994	Wei	D23/301
5,909,968 A	6/1999	Olin et al.	4/431
D438,941 S	3/2001	Selina et al.	D23/299
6,311,341 B1	11/2001	Zwezdaryk	4/254

\* cited by examiner

*Primary Examiner*—Louis S. Zarfaz  
*Assistant Examiner*—Robert A. Delehanty  
(74) *Attorney, Agent, or Firm*—Harness, Dickey & Pierce, P.L.C.

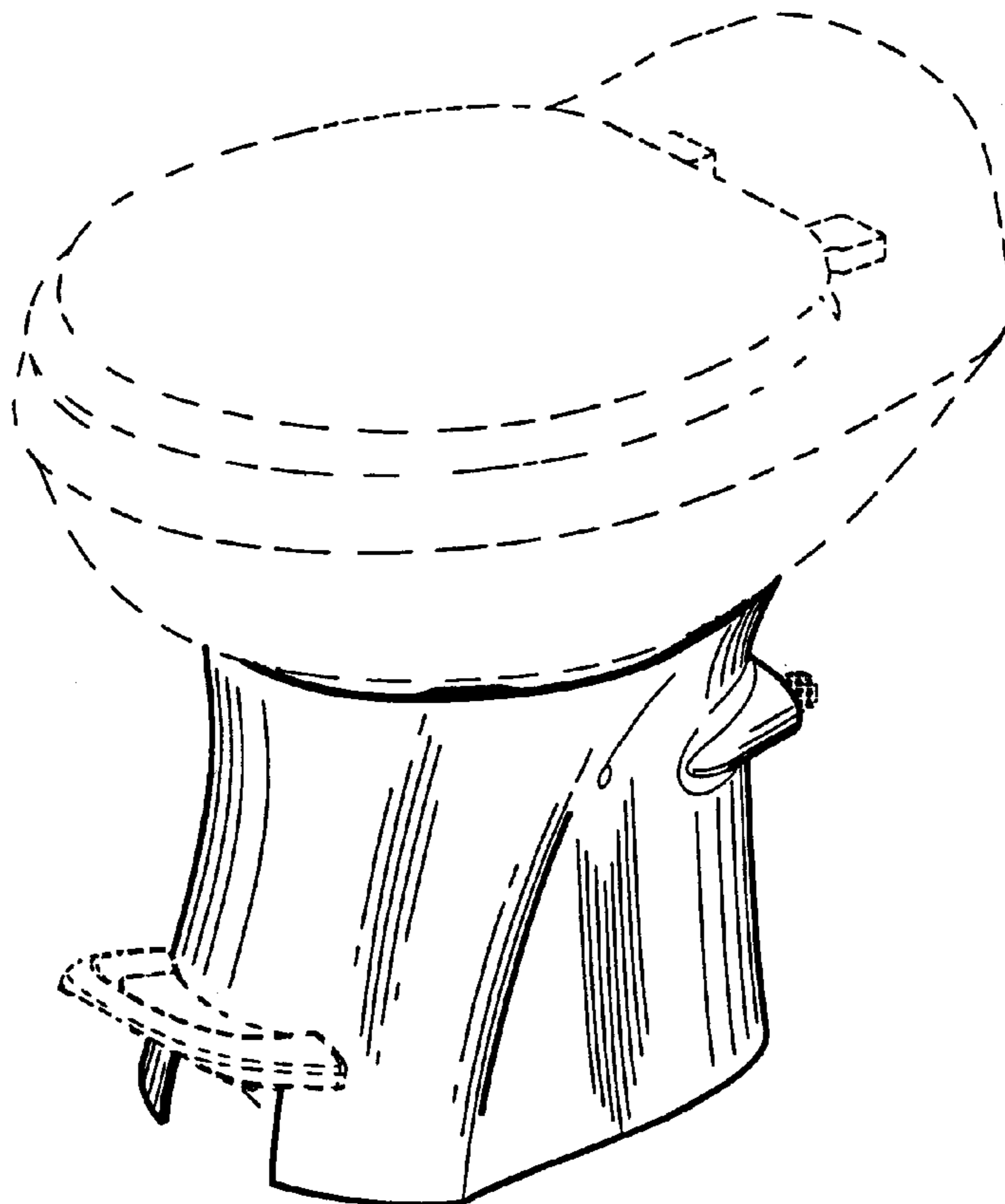
(57) **CLAIM**

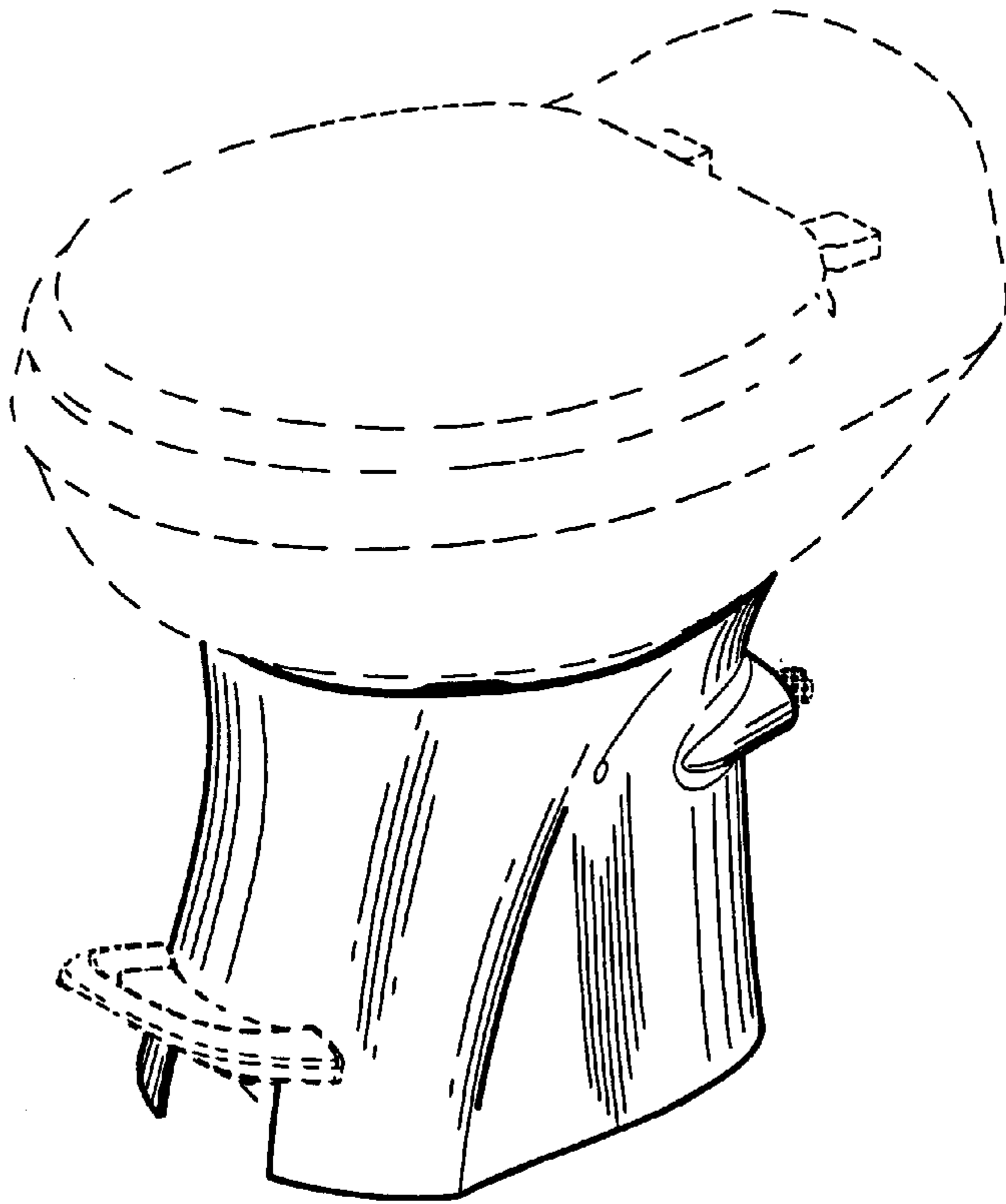
The ornamental design for a flush toilet shroud, as shown and described.

**DESCRIPTION**

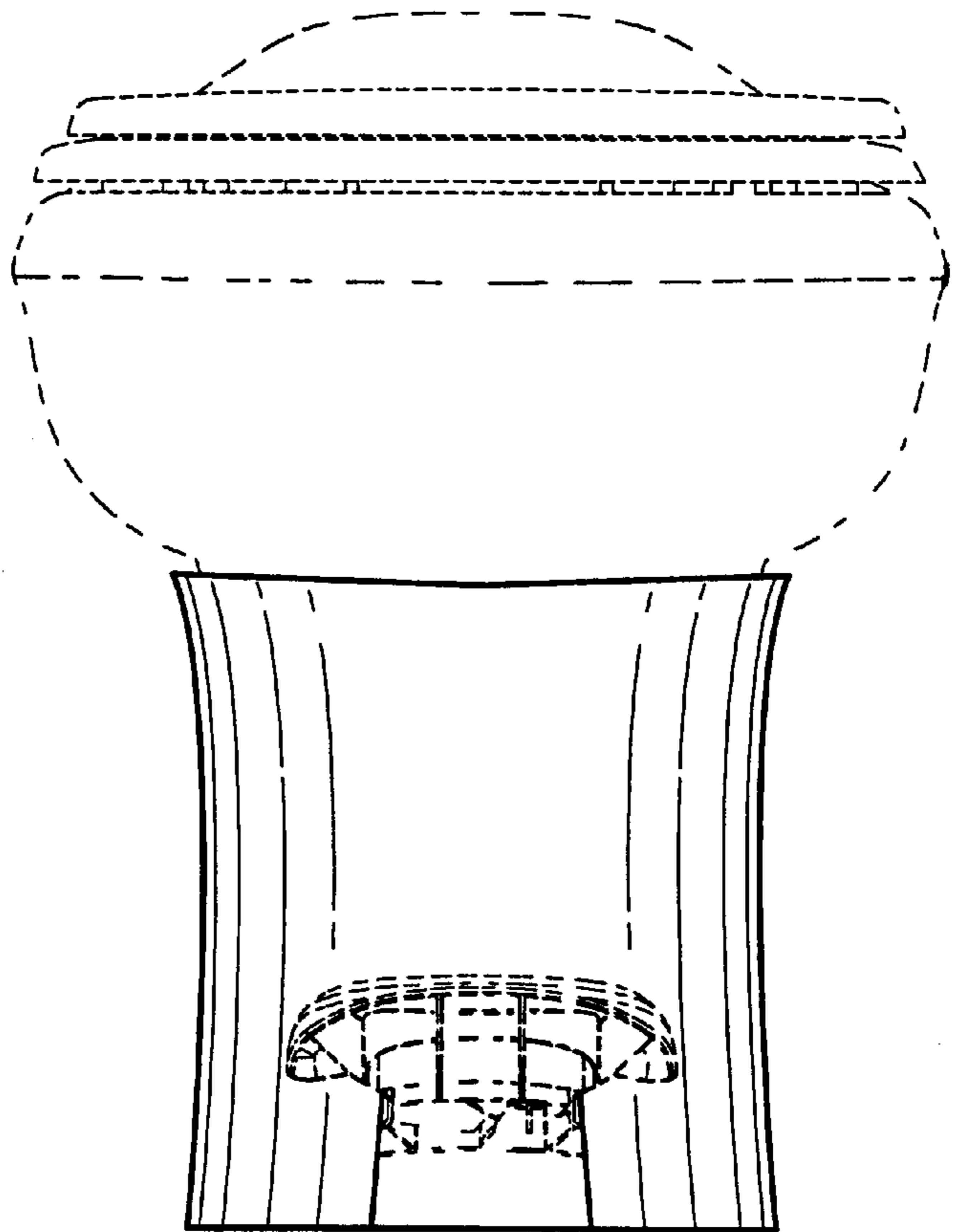
FIG. 1 is a front and side perspective of a flush toilet shroud showing our new design;  
FIG. 2 is a front elevation view thereof;  
FIG. 3 is a right side elevation view thereof;  
FIG. 4 is a left side elevation view thereof; and,  
FIG. 5 is a top plan view thereof.  
The broken line showing of portions of the flush toilet is for illustrative purposes only and forms no part of the claimed design.

**1 Claim, 3 Drawing Sheets**



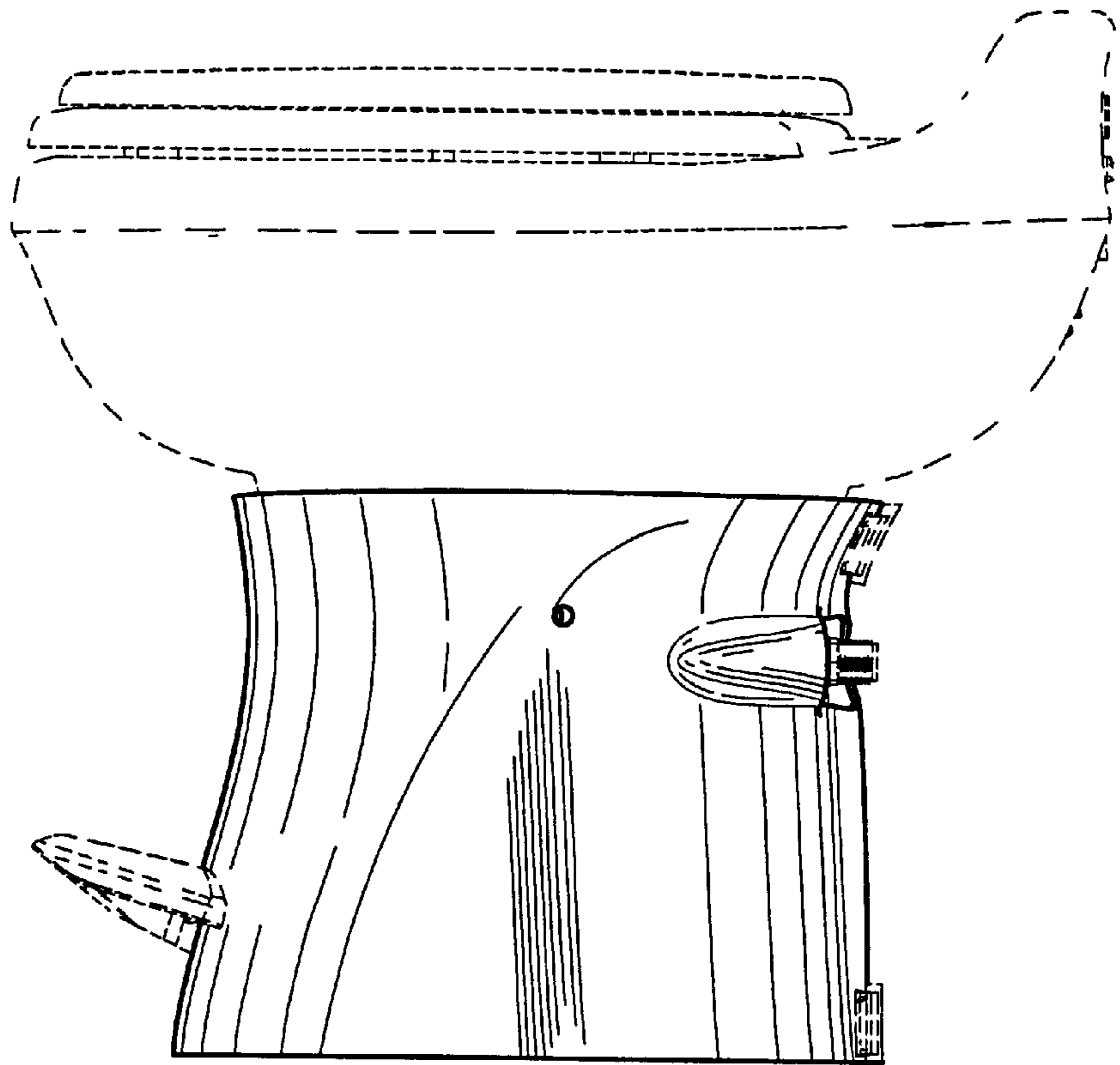


**FIG - 1**

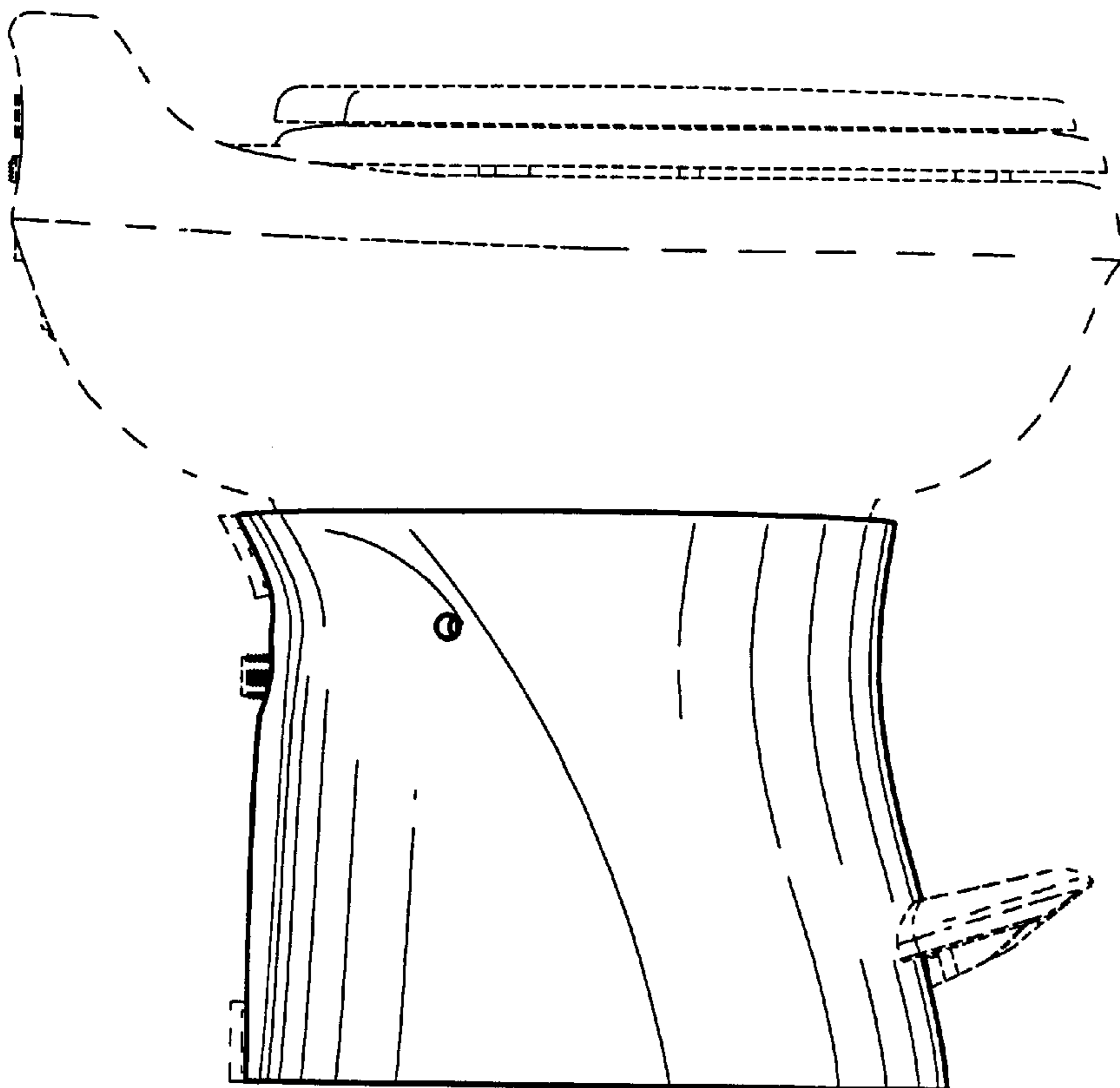


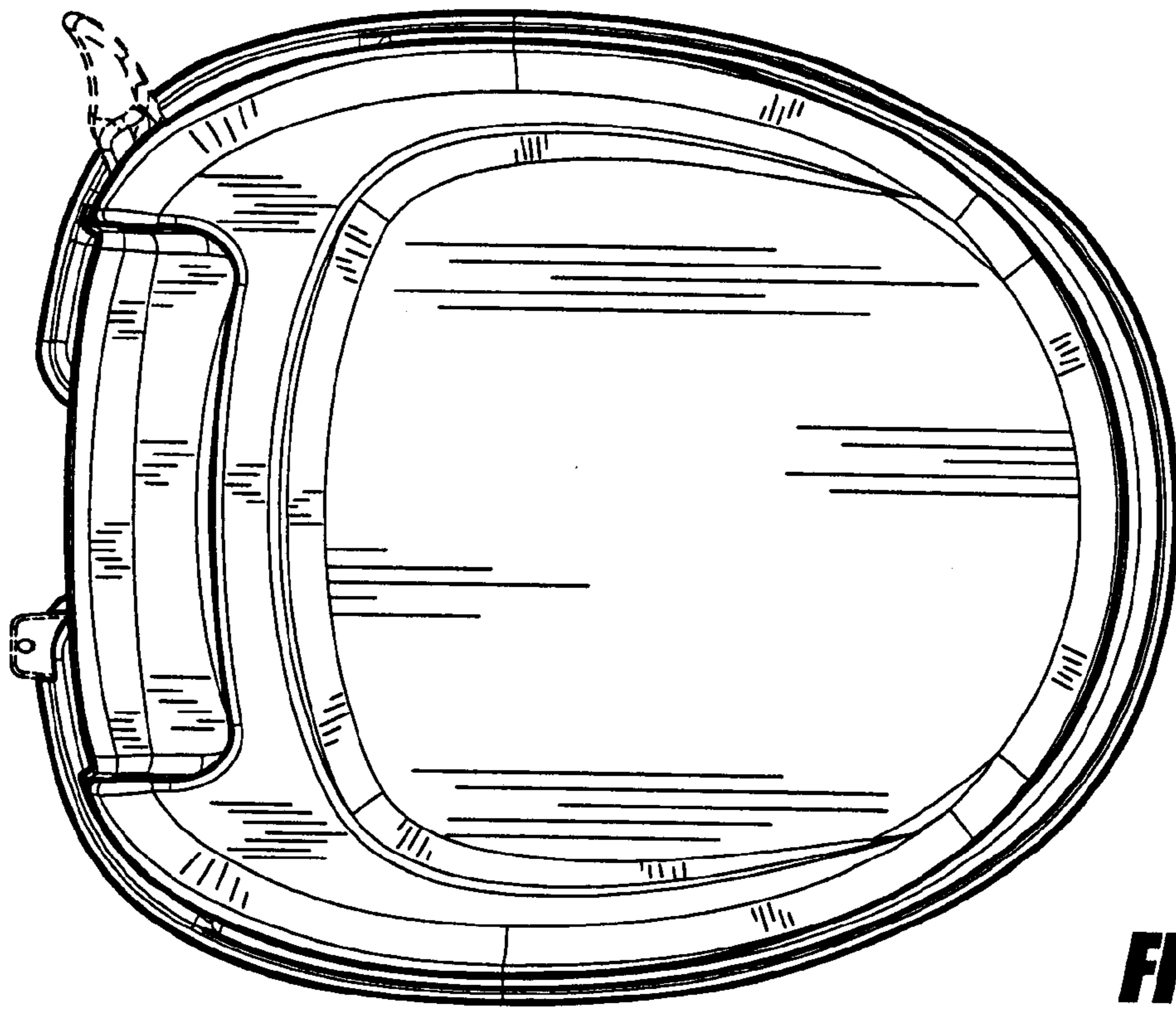
**FIG - 2**

**FIG - 3**



**FIG - 4**





**FIG - 5**

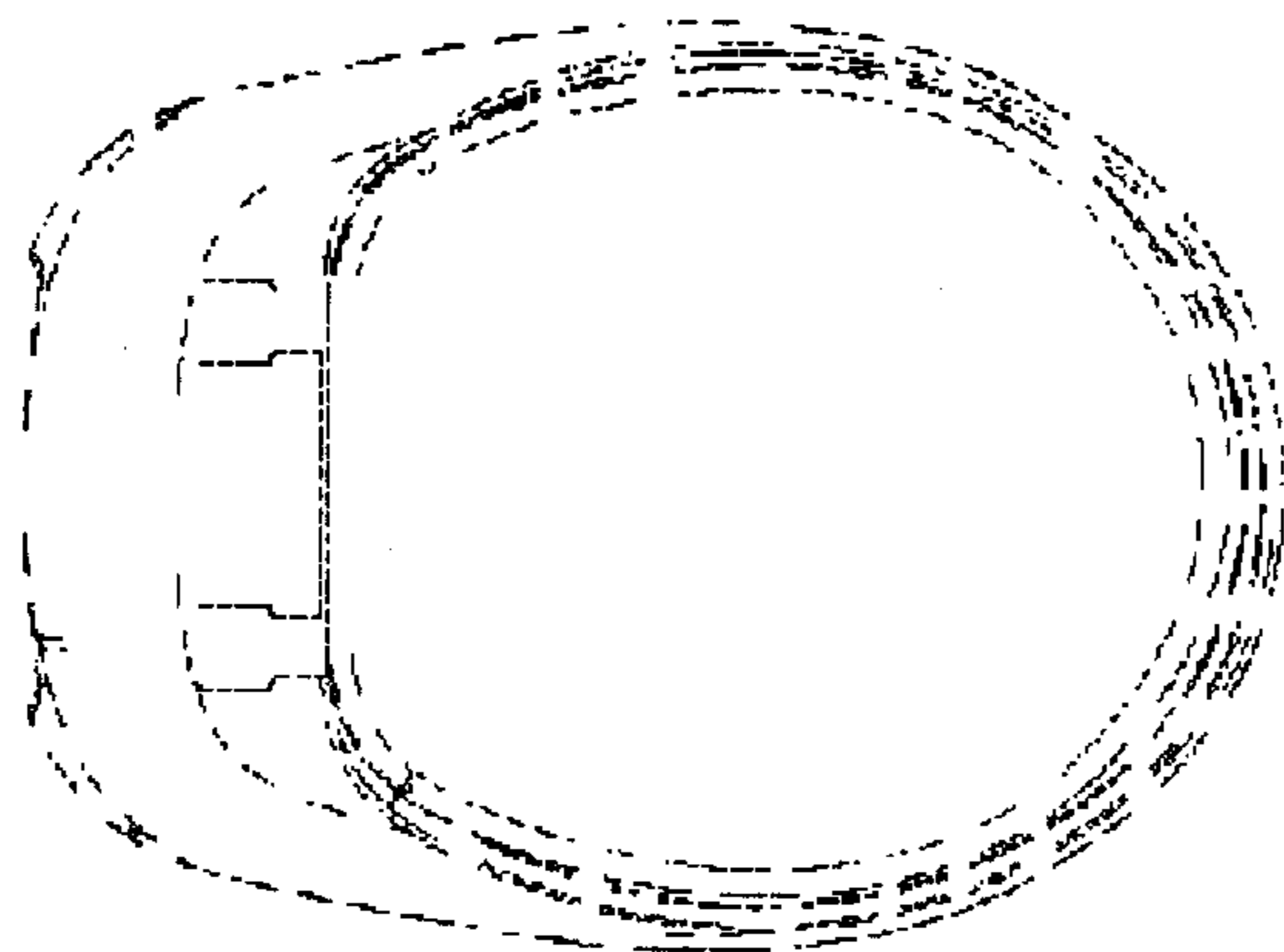
UNITED STATES PATENT AND TRADEMARK OFFICE  
**CERTIFICATE OF CORRECTION**

PATENT NO. : Des. 485,334 S  
DATED : January 26, 2004  
INVENTOR(S) : Michael B. Fritz

Page 1 of 1

It is certified that error appears in the above-identified patent and that said Letters Patent is hereby corrected as shown below:

Drawings,  
Figure 5 has been replaced with the following Figure:



**FIG - 5**

Signed and Sealed this

Seventeenth Day of August, 2004

JON W. DUDAS  
*Acting Director of the United States Patent and Trademark Office*