



US00D485333S

(12) **United States Design Patent**
Freeman

(10) **Patent No.:** **US D485,333 S**

(45) **Date of Patent:** **** Jan. 13, 2004**

(54) **MULTI-FACETED SINK**

D448,835 S * 10/2001 Niven D23/284

(76) Inventor: **William D. Freeman**, 13815 Kleberg Rd., Dallas, TX (US) 75253

* cited by examiner

(**) Term: **14 Years**

Primary Examiner—Louis S. Zarfes
Assistant Examiner—Robert A. Delehanty

(21) Appl. No.: **29/166,135**

(57) **CLAIM**

(22) Filed: **Aug. 22, 2002**

The ornamental design for a multi-faceted sink, as shown and described.

(51) **LOC (7) Cl.** **23-02**

DESCRIPTION

(52) **U.S. Cl.** **D23/293.1**

(58) **Field of Search** D23/270–274,
D23/285–292, 293.1, 303, 308; 4/619, 630–632,
637–640, 643, 660; D9/428, 549, 551,
564

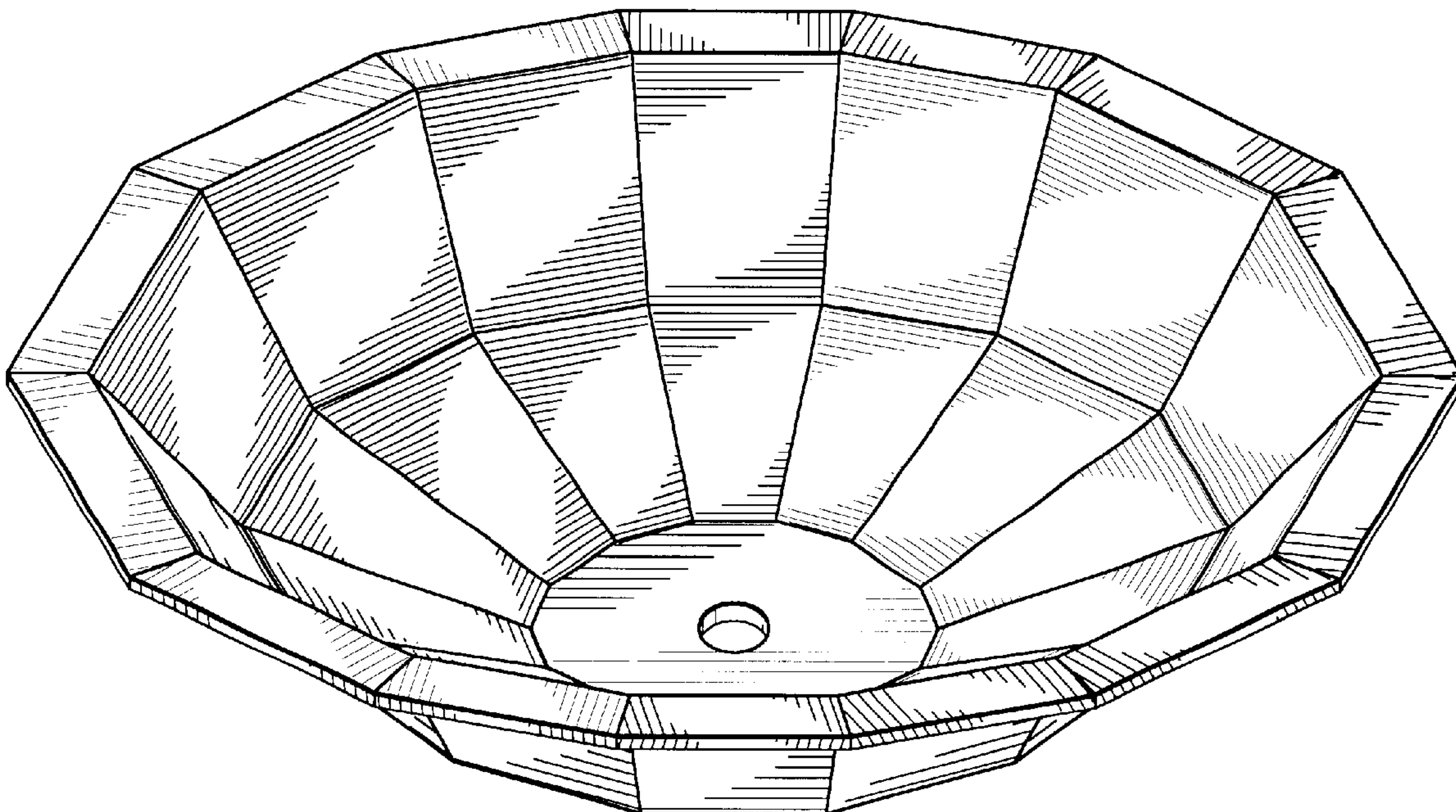
FIG. 1 is a perspective view of the multi-faceted sink of the present invention;
FIG. 2 is a plan view of the multi-faceted sink of the present invention; and
FIG. 3 is a section taken along line 3—3 of FIG. 2 of the multi-faceted sink of the present invention; and,
FIG. 4 is a section taken along line 4—4 of FIG. 2 of the multi-faceted sink of the present invention.

(56) **References Cited**

U.S. PATENT DOCUMENTS

D389,901 S * 1/1998 Kohler, Jr. et al. D23/284
D443,683 S * 6/2001 Freeman D23/293.1

1 Claim, 2 Drawing Sheets



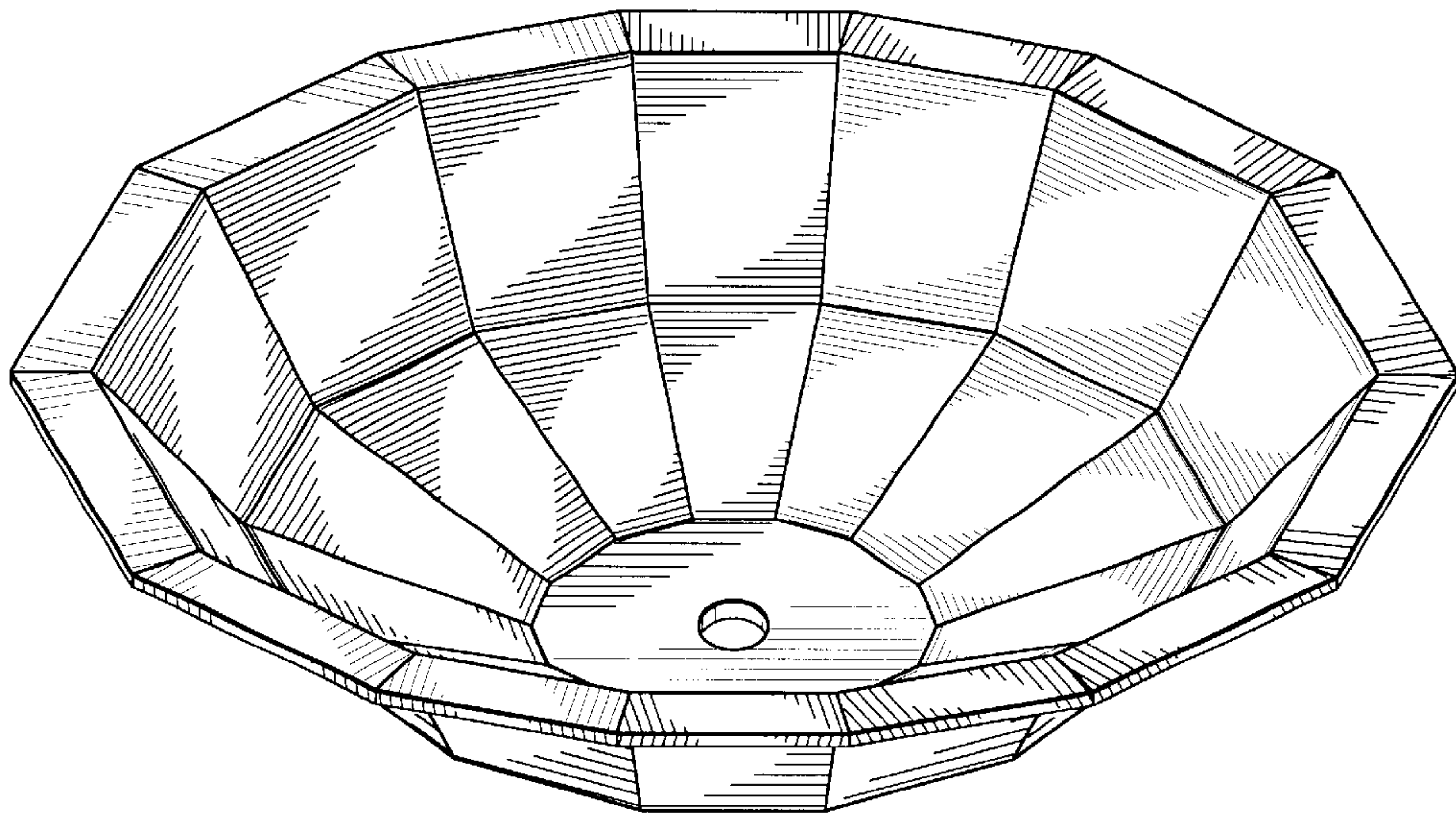


FIG. 1

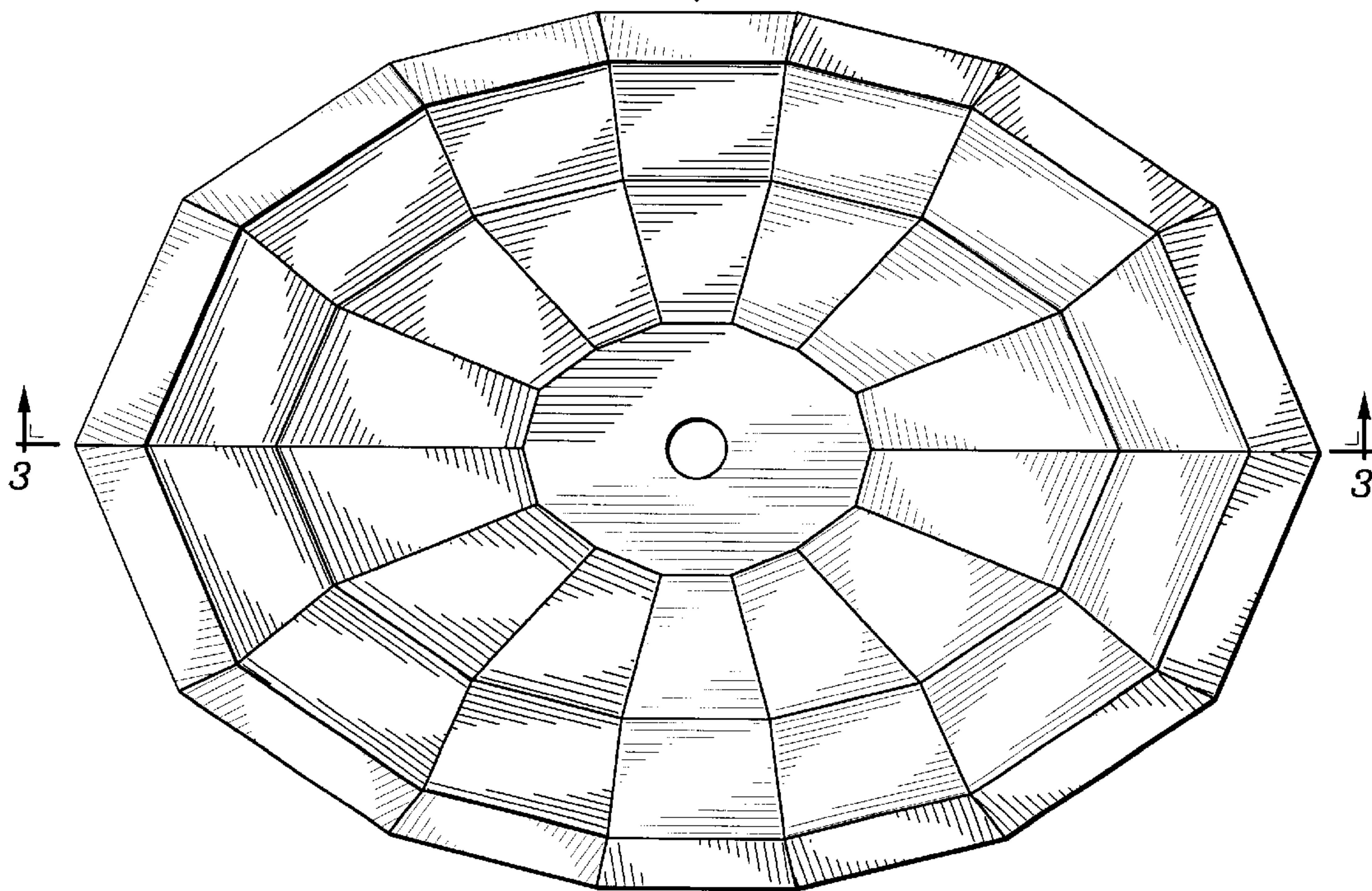


FIG. 2

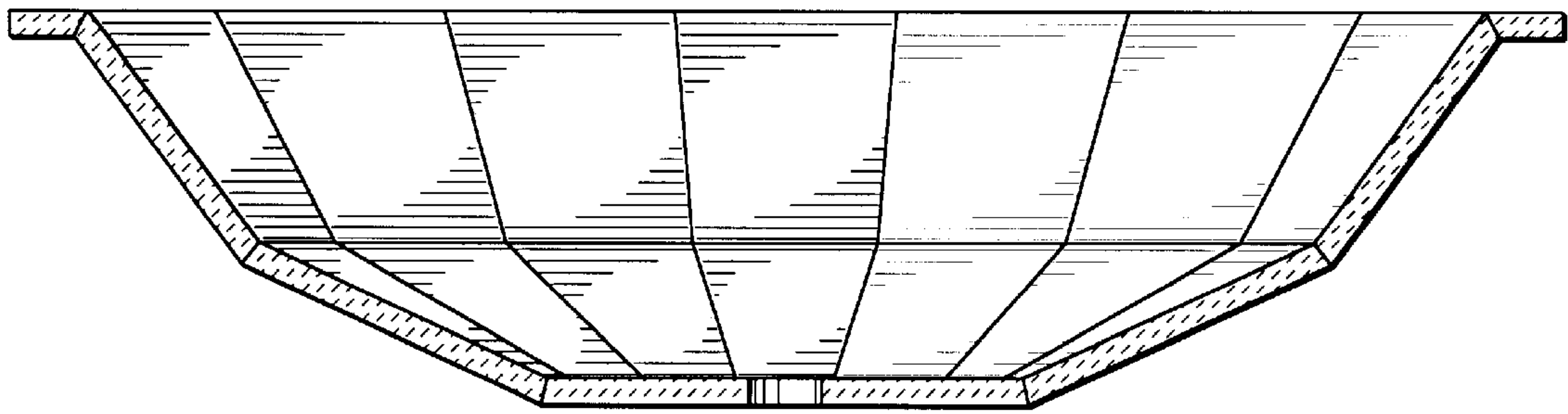


FIG. 3

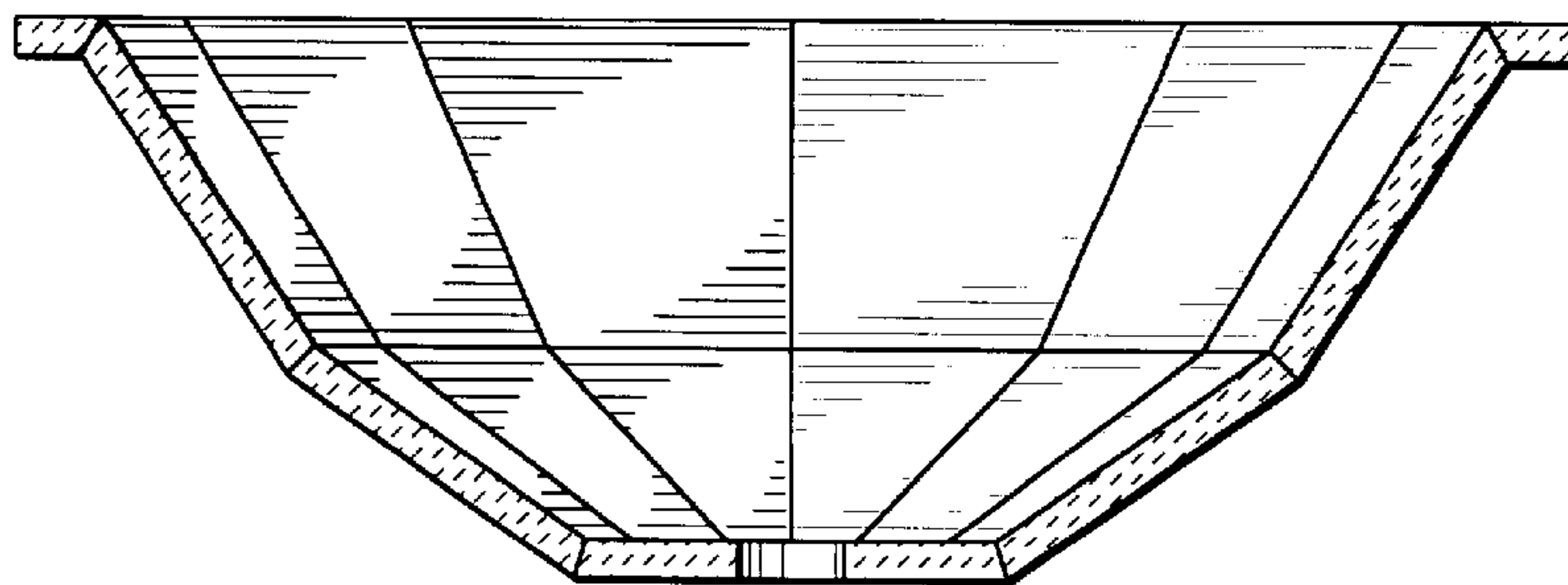


FIG. 4