



US00D485331S

(12) **United States Design Patent**
Lin

(10) **Patent No.:** **US D485,331 S**

(45) **Date of Patent:** **** Jan. 13, 2004**

(54) **FAUCET SET**

(75) **Inventor:** **Shih-Hung Lin**, Taichung Export Processing Zone (TW)

(73) **Assignee:** **Globe Union Industrial Corp.**, Taichung (TW)

(**) **Term:** **14 Years**

(21) **Appl. No.:** **29/181,540**

(22) **Filed:** **May 14, 2003**

(51) **LOC (7) Cl.** **23-01**

(52) **U.S. Cl.** **D23/241**

(58) **Field of Search** D23/238-243,
D23/250-257; 4/675-678; 137/801

(56) **References Cited**

U.S. PATENT DOCUMENTS

- D292,226 S * 10/1987 Hill et al. D23/252
- D380,035 S * 6/1997 Wagner D23/242
- D404,467 S * 1/1999 Doughty et al. D23/242

- D416,982 S * 11/1999 Warshawsky et al. D23/241
- D418,579 S * 1/2000 Pitsch et al. D23/242
- D460,534 S * 7/2002 Hanna et al. D23/252

* cited by examiner

Primary Examiner—Louis S. Zarfes

Assistant Examiner—Gregory Andoll

(74) *Attorney, Agent, or Firm*—Leong C. Lei

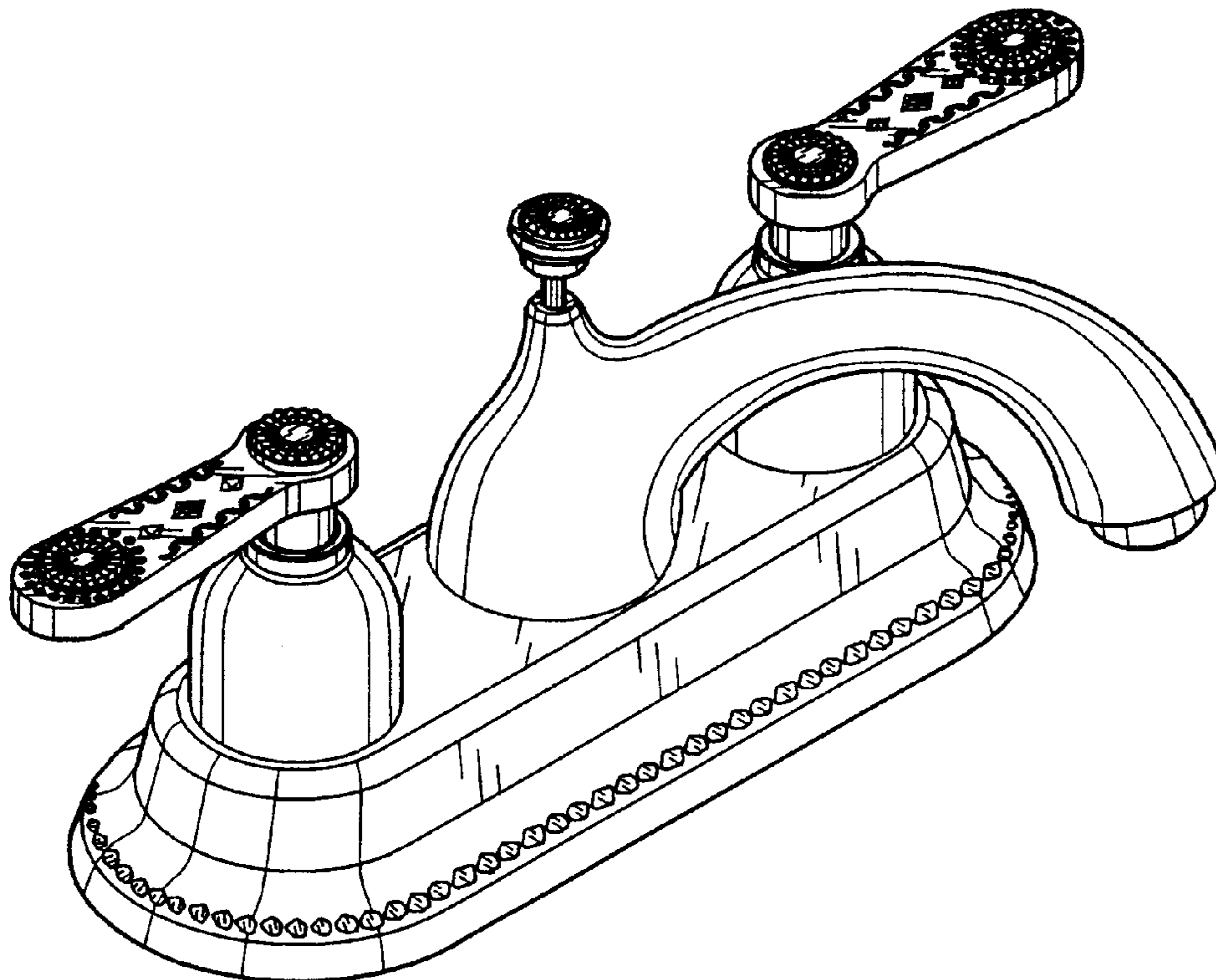
(57) **CLAIM**

The ornamental design for a faucet set, as shown and described.

DESCRIPTION

FIG. 1 is perspective view of a faucet set showing my new design;
 FIG. 2 is a front side elevation view thereof;
 FIG. 3 is a rear side elevation view thereof;
 FIG. 4 is a left side elevation view thereof;
 FIG. 5 is a right side elevation view thereof;
 FIG. 6 is a top plan view thereof; and,
 FIG. 7 is a bottom plan view thereof.

1 Claim, 4 Drawing Sheets



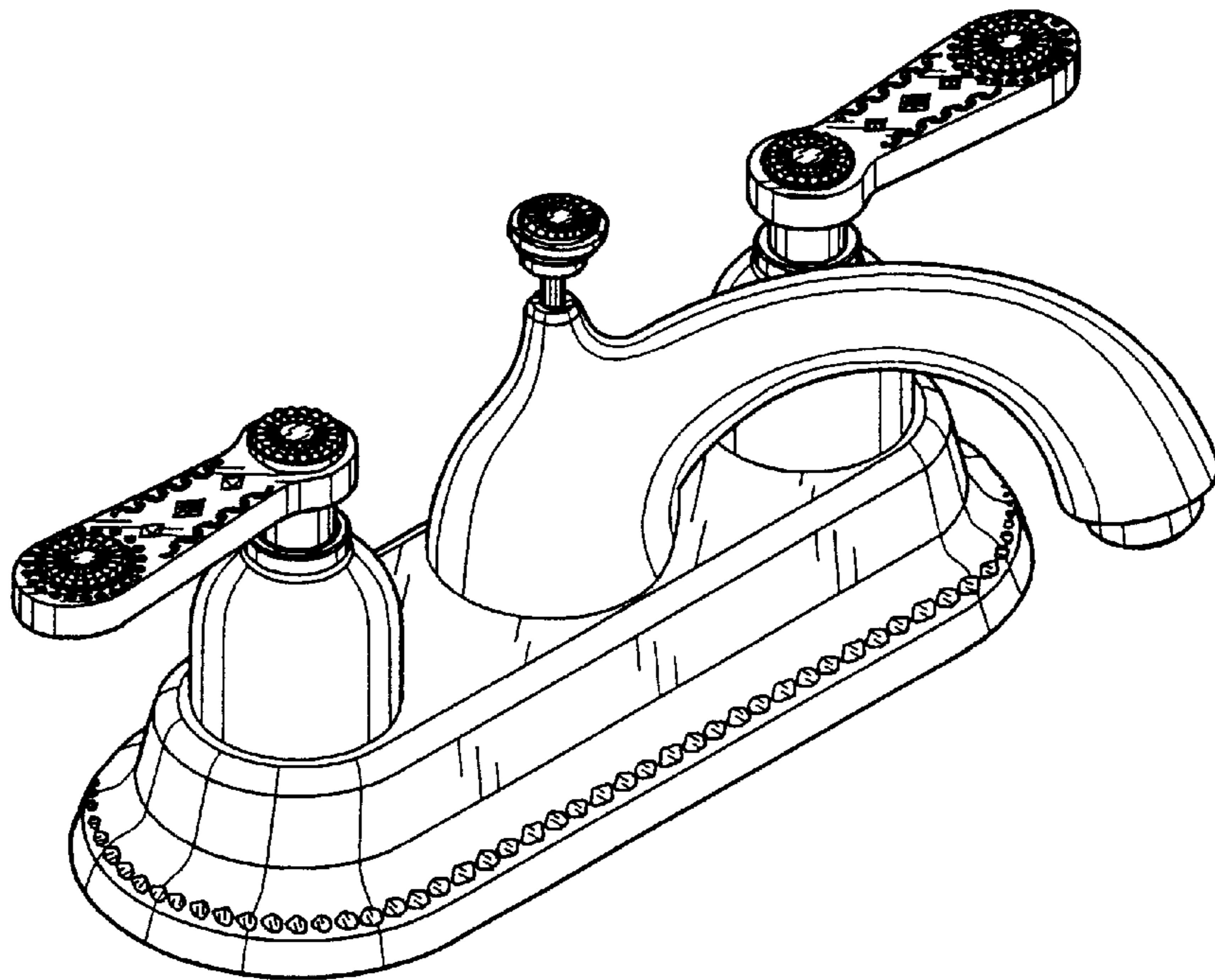


FIG. 1

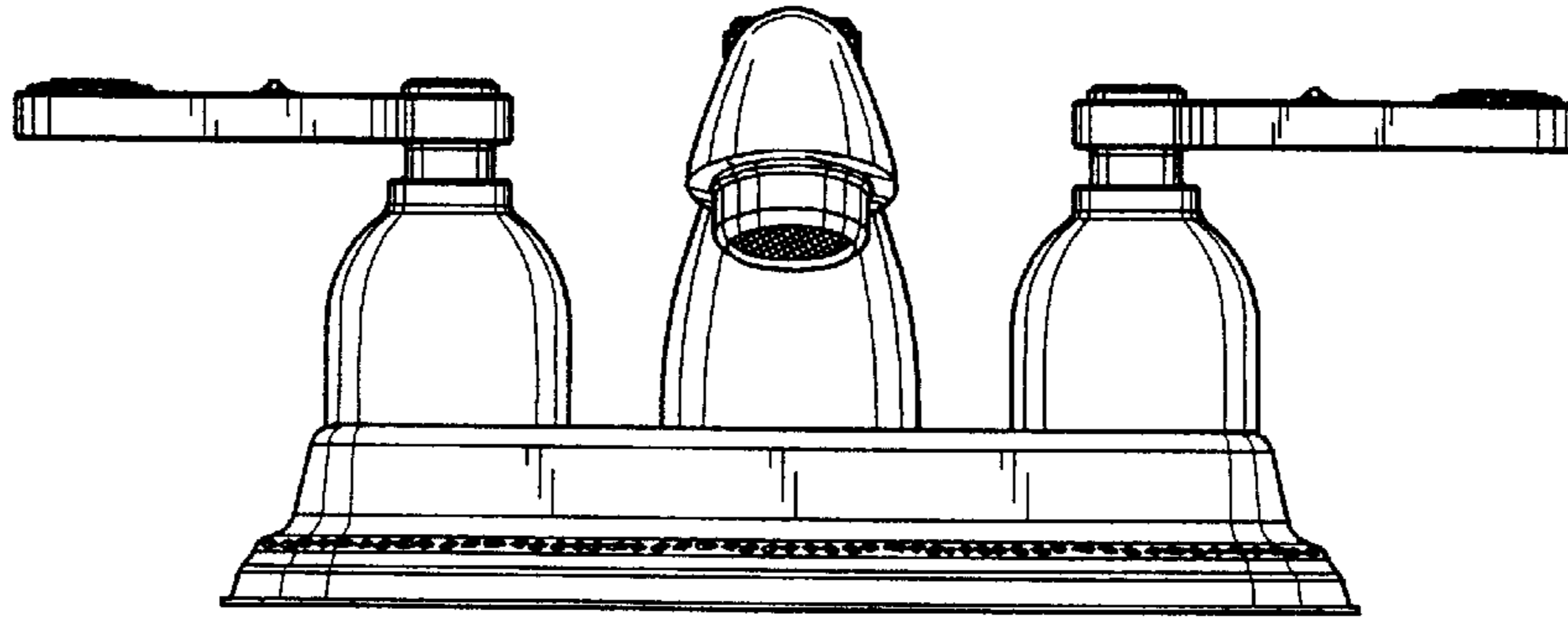


FIG. 2

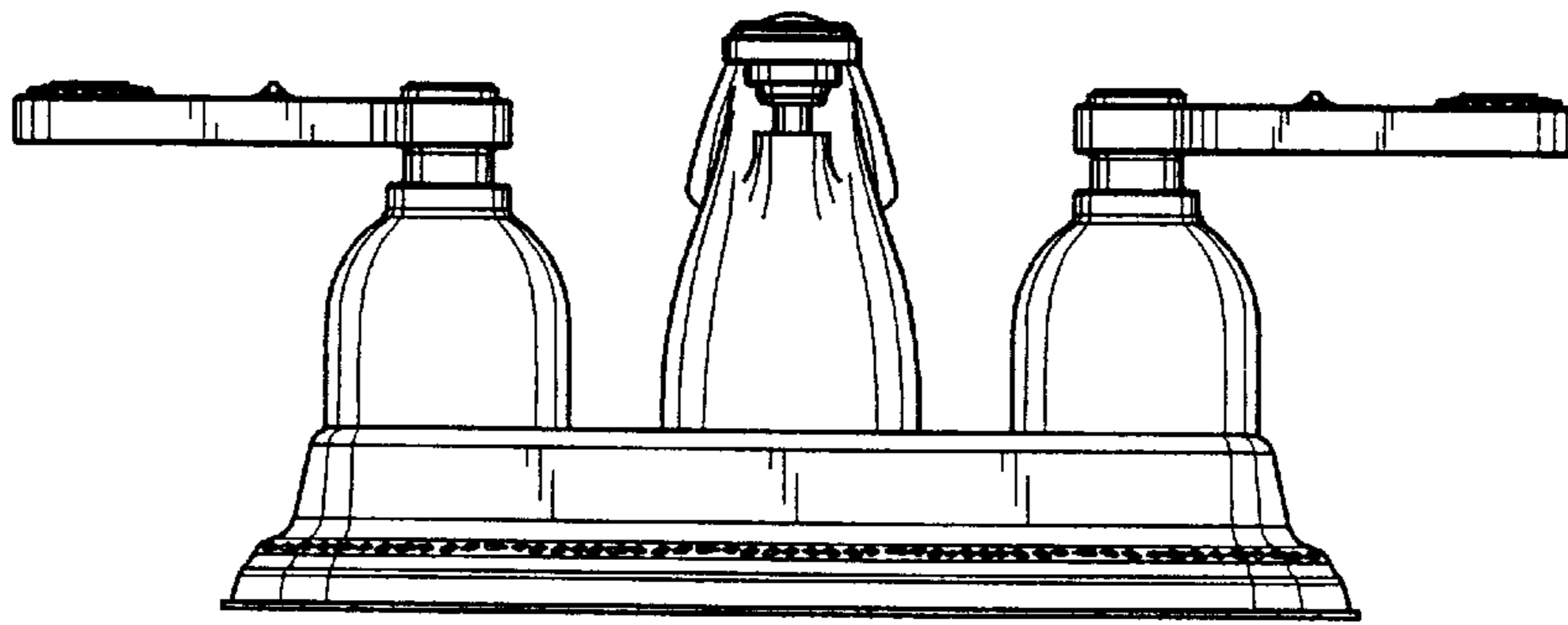


FIG. 3

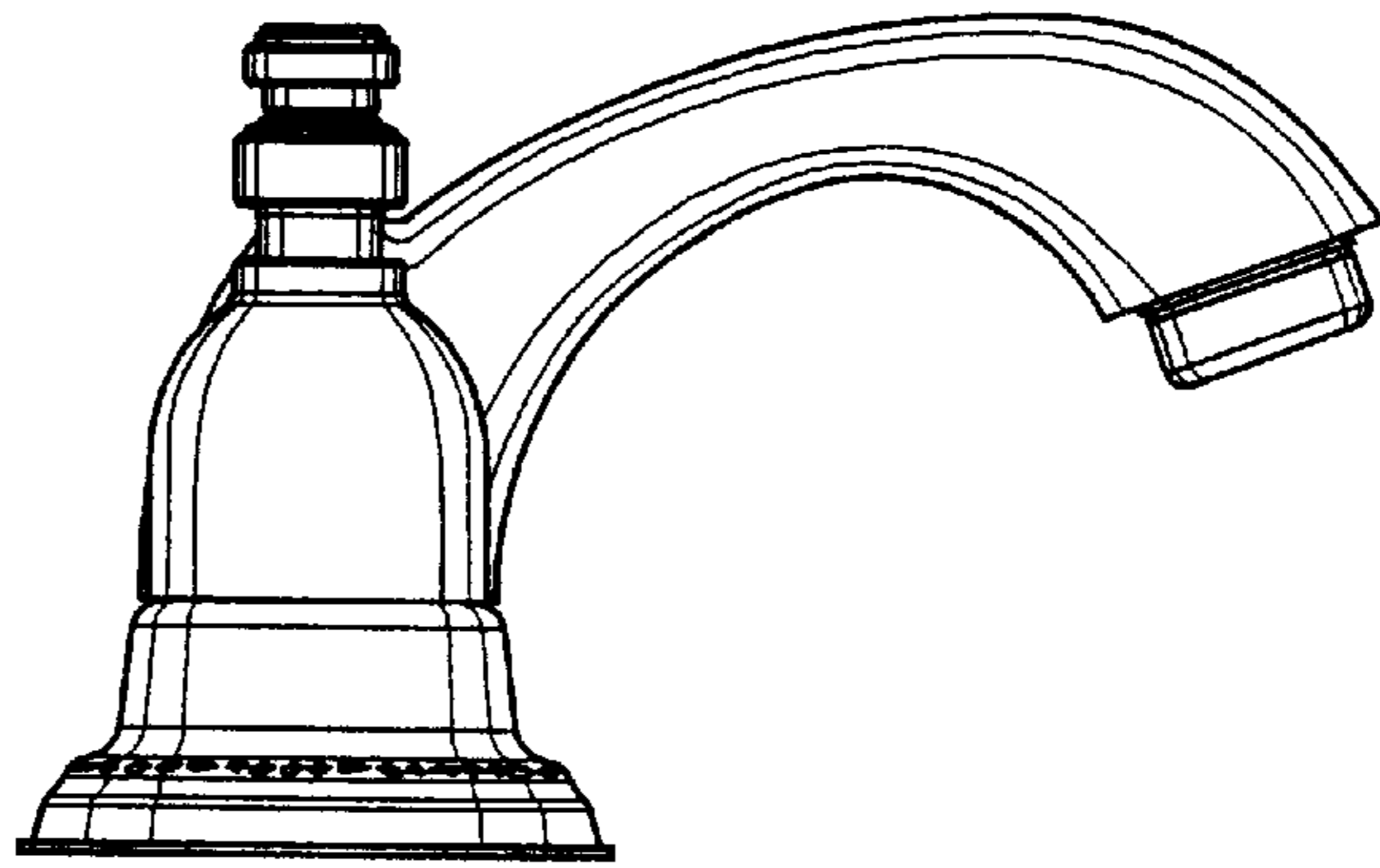


FIG. 4

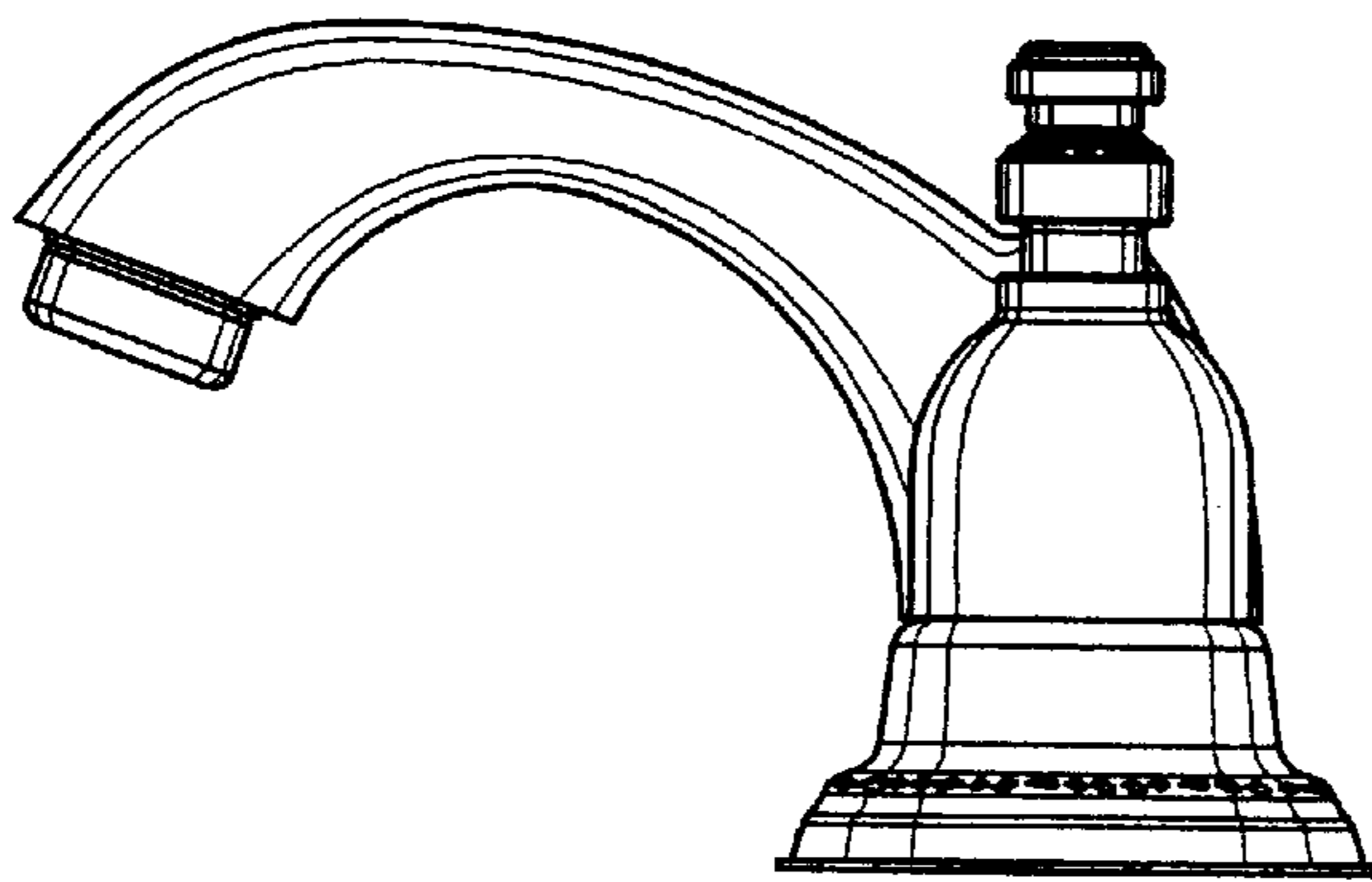


FIG. 5

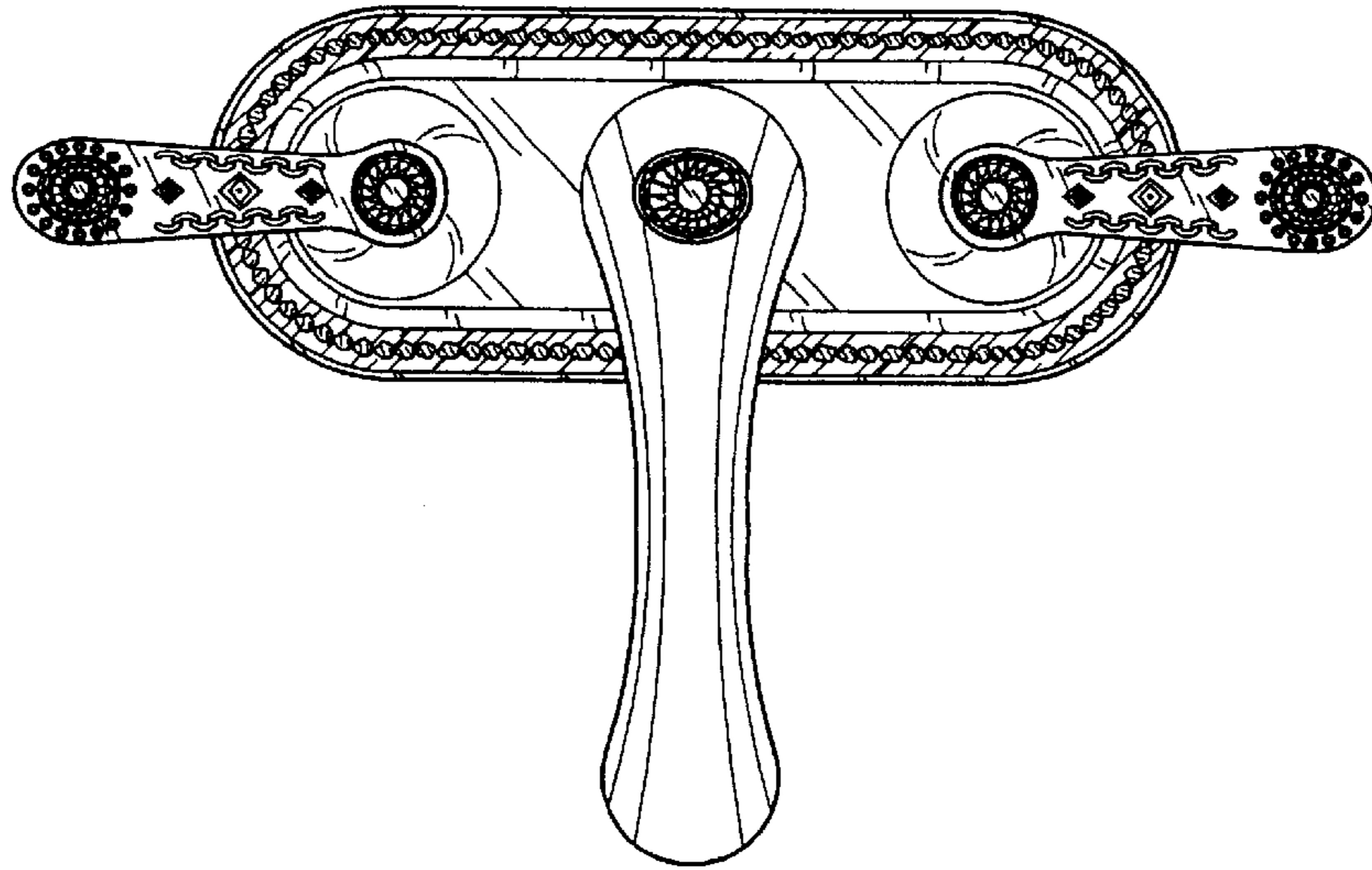


FIG. 6

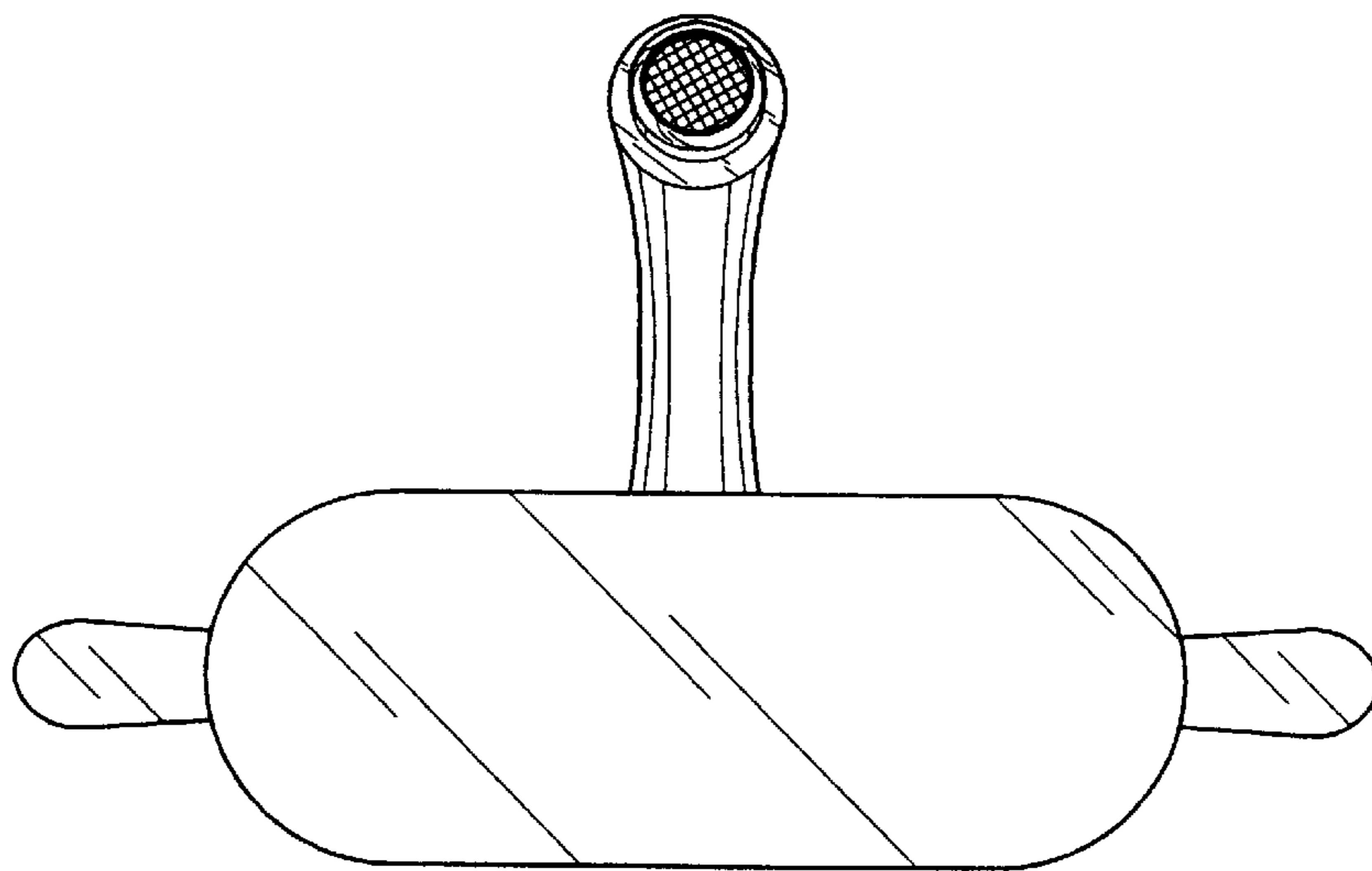


FIG. 7