



US00D485328S

(12) **United States Design Patent**
Jastrzembski

(10) **Patent No.:** **US D485,328 S**

(45) **Date of Patent:** **** Jan. 13, 2004**

(54) **FISH BAIT CUTTER**

(76) Inventor: **Jeff Jastrzembski**, 2141 Riber Rd.,
Lower Bank, NJ (US) 08215

(**) Term: **14 Years**

(21) Appl. No.: **29/173,777**

(22) Filed: **Jan. 7, 2003**

(51) **LOC (7) Cl.** **22-05**

(52) **U.S. Cl.** **D22/134; D22/199**

(58) **Field of Search** D22/134, 136,
D22/199; D7/682, 693; 452/132, 125, 128,
187, 146

(56) **References Cited**

U.S. PATENT DOCUMENTS

1,202,496	A	*	10/1916	Ericksen	D7/682
1,979,199	A	*	10/1934	Haynes	30/303
D296,266	S	*	6/1988	Jennings, Jr.	D22/149
D369,202	S	*	4/1996	Jackson	D22/149

* cited by examiner

Primary Examiner—Catherine R. Oliver
(74) *Attorney, Agent, or Firm*—Brady, O’Boyle & Gates

(57) **CLAIM**

The ornamental design for a fish bait cutter, as shown and described.

DESCRIPTION

FIG. 1 is a perspective view of the fish bait cutter showing my new design in the open position;

FIG. 2 is a perspective view of the fish bait cutter, in the closed position, looking from the same side as FIG. 1;

FIG. 3 is a bottom plan view of the fish bait cutter shown in FIG. 2;

FIG. 4 is a side elevational view of the fish bait cutter shown in FIG. 2;

FIG. 5 is a front elevational view of the fish bait cutter shown in FIG. 2; and,

FIG. 6 is a rear elevational view of the fish bait cutter shown in FIG. 2.

The broken line showing of environment in the drawings is for illustrative purposes only and forms no part of the claimed design.

1 Claim, 3 Drawing Sheets

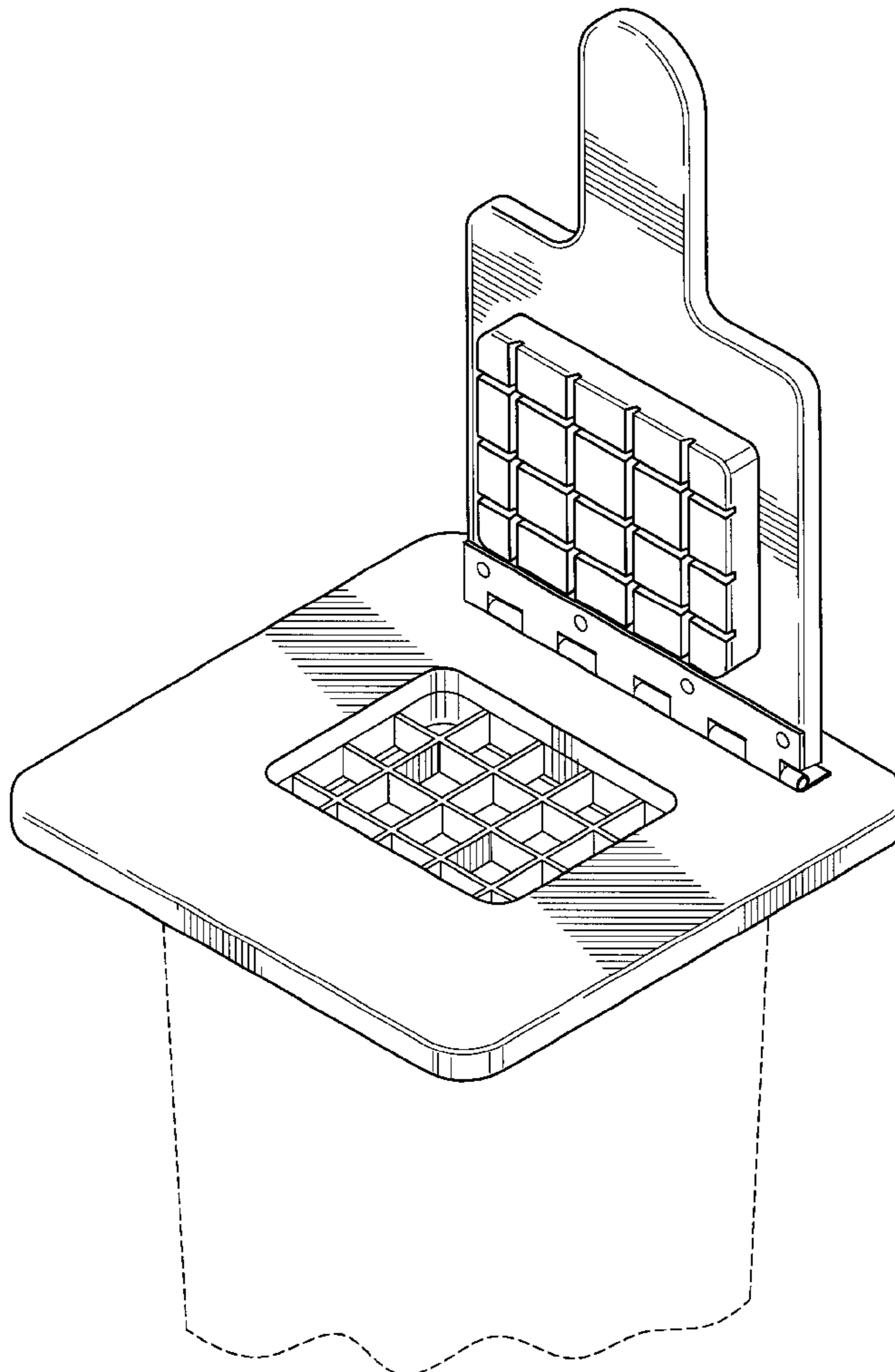


FIG. 1

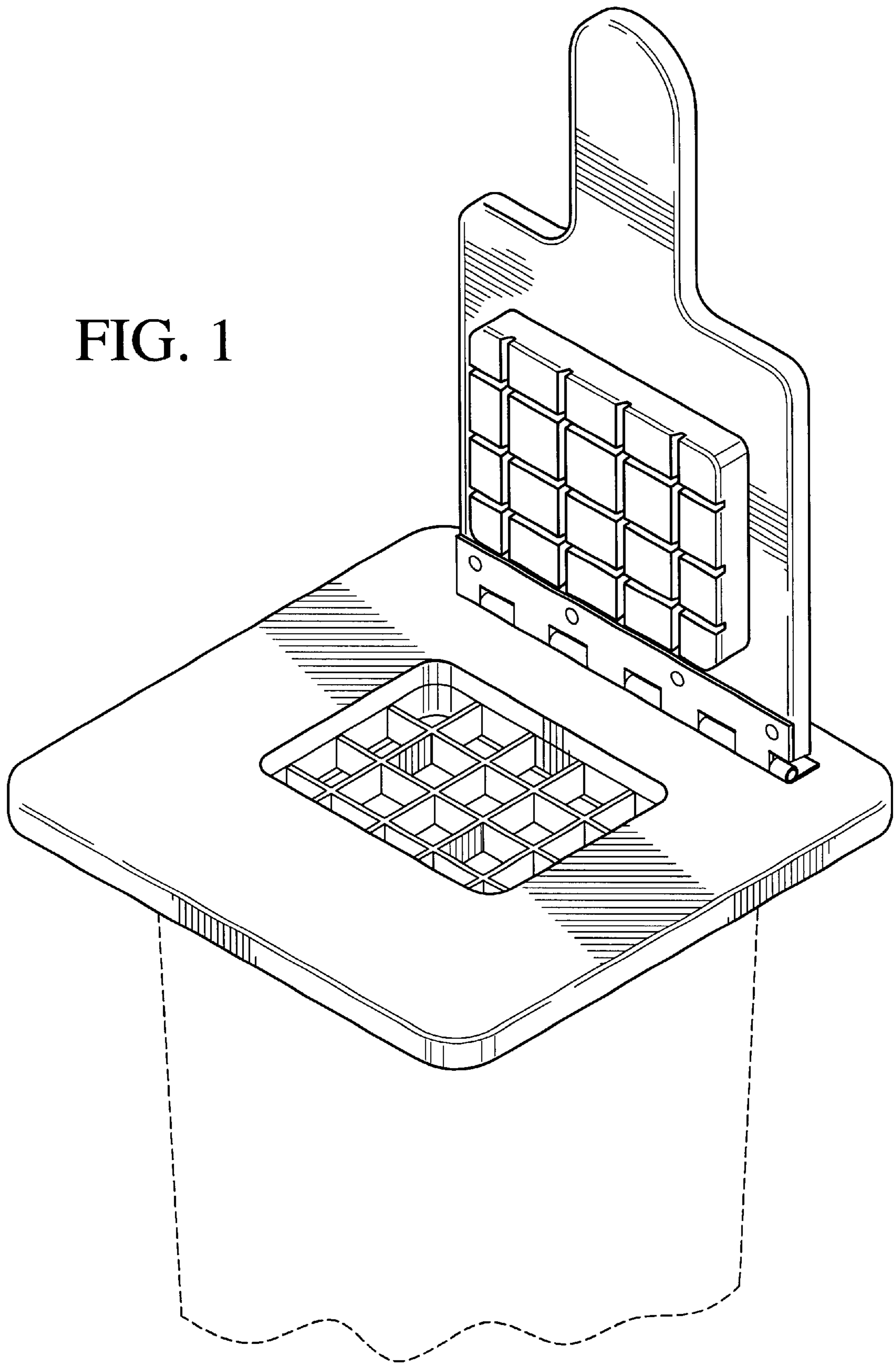


FIG. 2

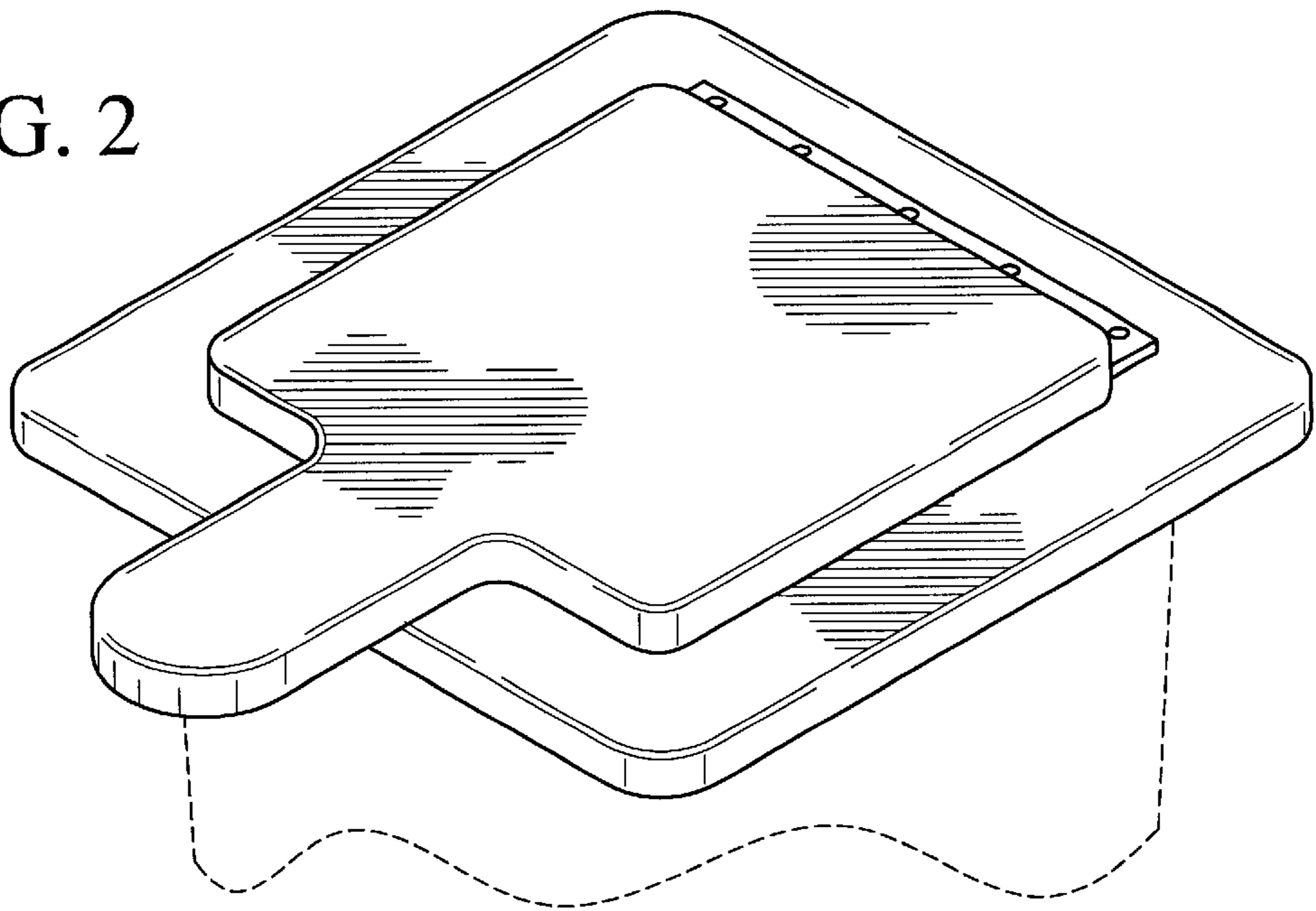
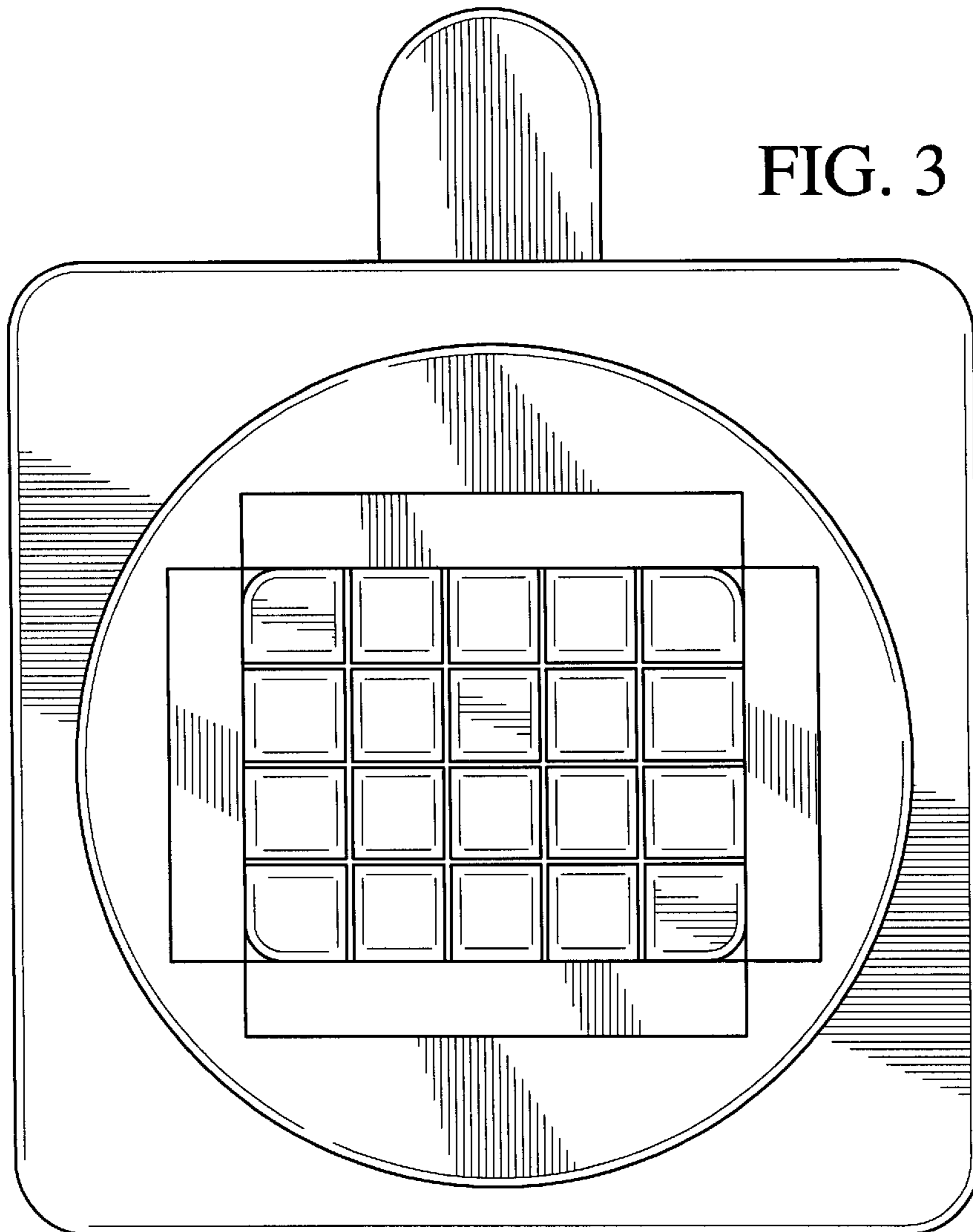


FIG. 3



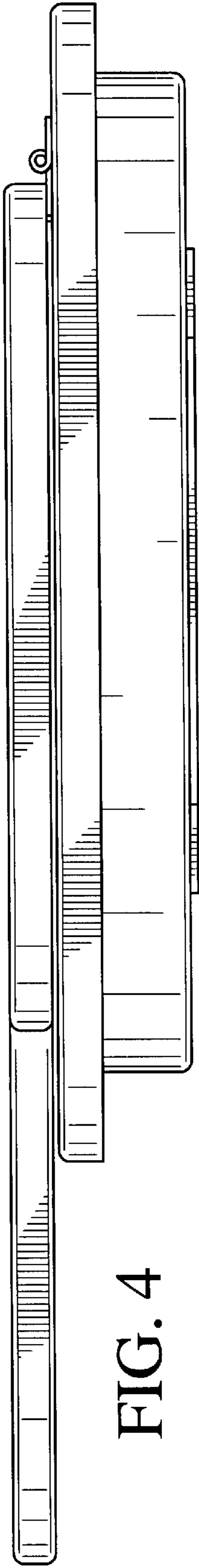


FIG. 4

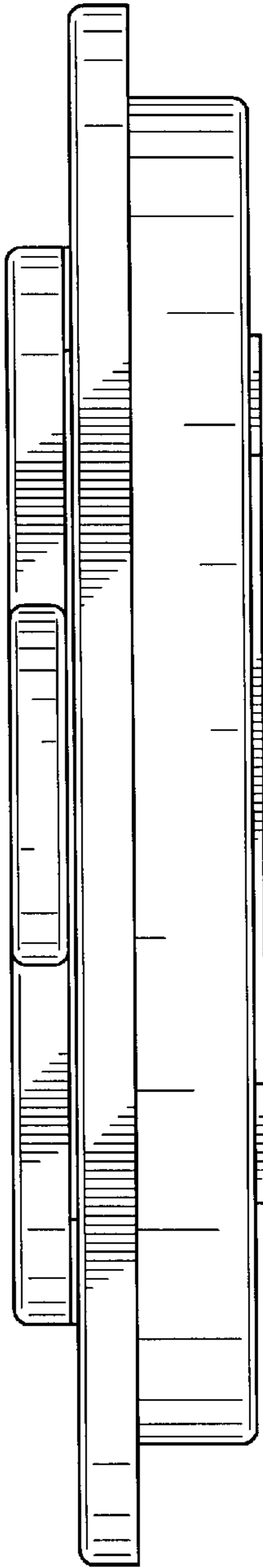


FIG. 5

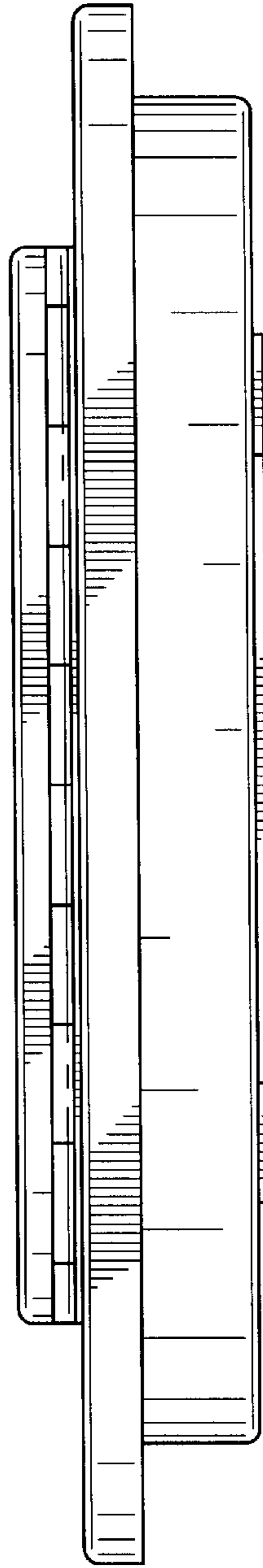


FIG. 6