



US00D485323S

(12) **United States Design Patent**
Wagner et al.

(10) **Patent No.:** **US D485,323 S**
(45) **Date of Patent:** **** Jan. 13, 2004**

- (54) **PUTTER HEAD**
- (75) Inventors: **Dennis E. Wagner**, Encinitas, CA
(US); **Larry G. Tang**, Carlsbad, CA
(US)
- (73) Assignee: **Callaway Golf Company**, Carlsbad,
CA (US)
- (**) Term: **14 Years**
- (21) Appl. No.: **29/174,413**
- (22) Filed: **Jan. 17, 2003**
- (51) **LOC (7) Cl.** **21-02**
- (52) **U.S. Cl.** **D21/744**
- (58) **Field of Search** D21/736-746;
473/324, 327-331, 340, 341, 251-256
- (56) **References Cited**

- 2,957,696 A 10/1960 Warpotas
- 3,021,141 A 2/1962 Polsky et al.
- 3,064,975 A 10/1962 Smith
- D200,585 S 3/1965 Cefaly
- 3,194,564 A 7/1965 Swan
- 3,220,733 A 11/1965 Saleeby
- 3,300,241 A 1/1967 Eberwein et al.
- 3,310,879 A 3/1967 Brzezinski et al.
- 3,328,032 A 6/1967 Griswold
- 3,333,854 A 8/1967 White
- 3,343,839 A 9/1967 Borah
- D209,294 S 11/1967 Hitt
- 3,357,705 A 12/1967 Blanchard
- 3,408,074 A 10/1968 Antonious
- 3,411,789 A 11/1968 Wariner
- D217,487 S 5/1970 Blake
- 3,512,262 A 5/1970 Smyk et al.
- 3,578,332 A 5/1971 Caldwell
- 3,632,112 A 1/1972 Jacobs
- 3,708,172 A 1/1973 Rango
- 3,779,398 A 12/1973 Hunter
- D230,615 S 3/1974 Delgadillo
- 3,806,129 A 4/1974 Burrows

U.S. PATENT DOCUMENTS

- 1,485,272 A 2/1924 Kinsman
- 1,526,951 A 2/1925 Beaumont
- 1,546,612 A 7/1925 Barnes
- 1,569,295 A 1/1926 Munson
- 1,652,404 A 9/1927 Graveure
- 1,654,916 A 1/1928 Boyce
- 1,666,174 A 4/1928 Holland
- 1,703,199 A 2/1929 McClure
- D85,510 S 6/1931 Beach
- D90,924 S 8/1933 Replogle
- 1,960,110 A 5/1934 Iles
- D95,819 S 3/1935 Gourlay
- 2,002,631 A 5/1935 Fiondella
- 2,056,335 A 10/1936 Wettlaufer
- 2,057,821 A 10/1936 Costello
- D104,495 S 5/1937 Gallagher
- 2,156,025 A 4/1939 Paul
- 2,447,967 A 8/1948 Stone
- 2,478,468 A 8/1949 Drake
- 2,708,579 A 5/1955 Hugman
- D179,002 S 10/1956 Hoffmeister
- D179,246 S 11/1956 Gillon
- 2,781,197 A 2/1957 Wiley
- 2,838,312 A 6/1958 Drake

(List continued on next page.)

Primary Examiner—Mitchell Siegel
(74) *Attorney, Agent, or Firm*—Michael A. Catania; Elaine
H. Lo

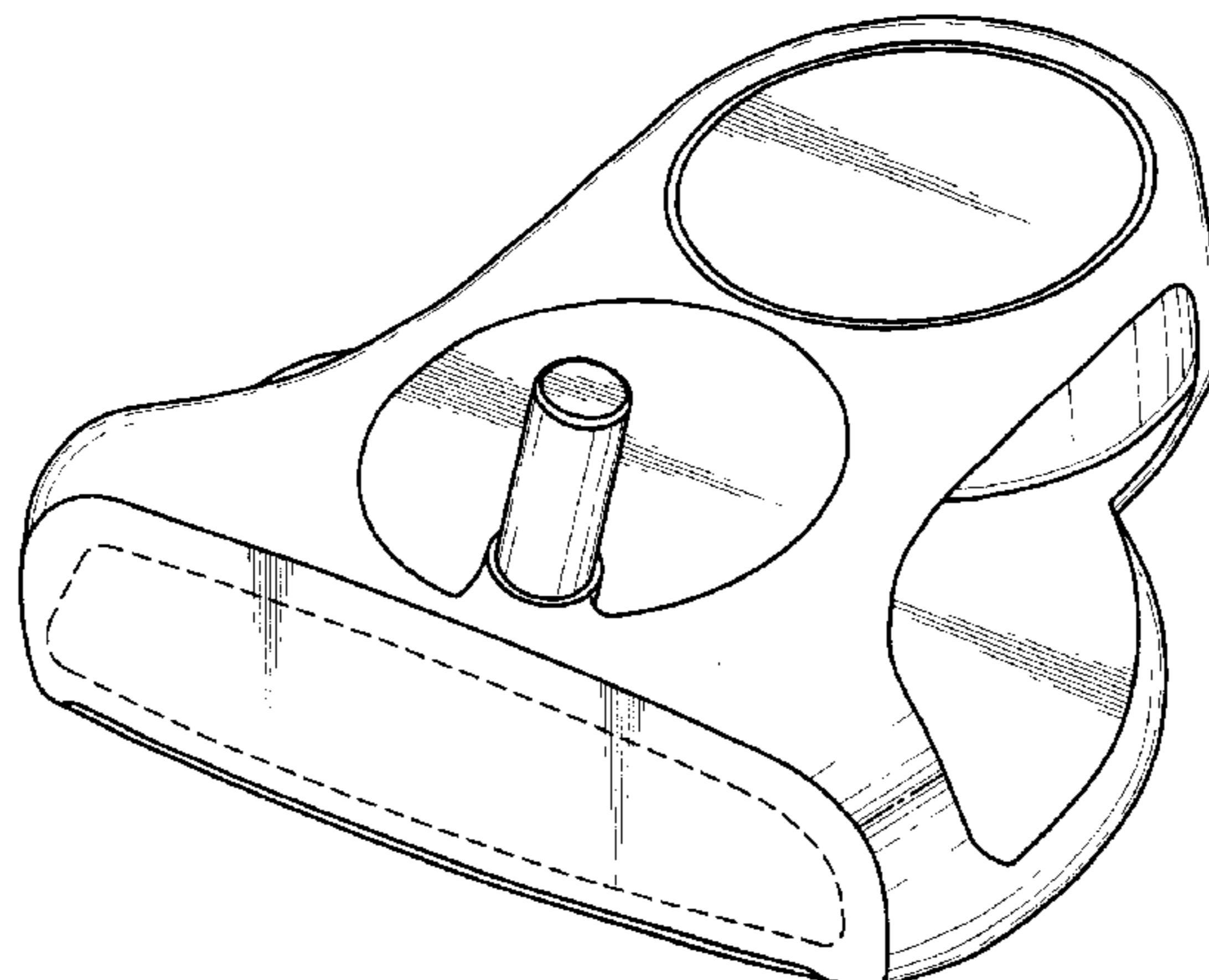
(57) **CLAIM**

The ornamental design for a putter head, as shown and
described.

DESCRIPTION

FIG. 1 is a top plan view of the putter head;
FIG. 2 is a perspective view of the putter head;
FIG. 3 is a bottom plan view of the putter head;
FIG. 4 is a front view of the putter head;
FIG. 5 is a rear view of the putter head;
FIG. 6 is a toe side view of the putter head; and,
FIG. 7 is a heel side view of the putter head.
The broken line showing is for illustrative purposes only and
forms no part of the claimed design.

1 Claim, 2 Drawing Sheets



US D485,323 S

Page 2

U.S. PATENT DOCUMENTS

3,841,640	A	10/1974	Gaulocher	D461,514	S	8/2002	Tang et al.	
3,841,641	A	10/1974	Bennett	D461,515	S	8/2002	Tang et al.	
D233,616	S	11/1974	Verzillo	D461,860	S	8/2002	Tang	
3,884,477	A	5/1975	Bianco	D461,861	S	8/2002	Tang et al.	
3,918,720	A	11/1975	Gordos	D463,002	S	9/2002	Tang et al.	
D241,563	S	9/1976	McCord	D467,985	S	12/2002	Tang et al.	
D248,050	S	5/1978	Muehl	D470,904	S	2/2003	Tang et al.	
4,141,556	A	* 2/1979	Paulin 473/253	D471,245	S	3/2003	Tang et al.	
D252,221	S	6/1979	Mariani	D471,940	S	* 3/2003	Tang et al.	D21/742
5,685,784	A	* 11/1997	Butler 473/340	D472,594	S	4/2003	Tang et al.	
D395,692	S	* 6/1998	Butler D21/742	D472,595	S	4/2003	Tang et al.	
D457,586	S	5/2002	Tang et al.	D475,106	S	5/2003	Tang et al.	
D458,656	S	6/2002	Tang et al.	D479,291	S	* 9/2003	Murray D21/742	

* cited by examiner

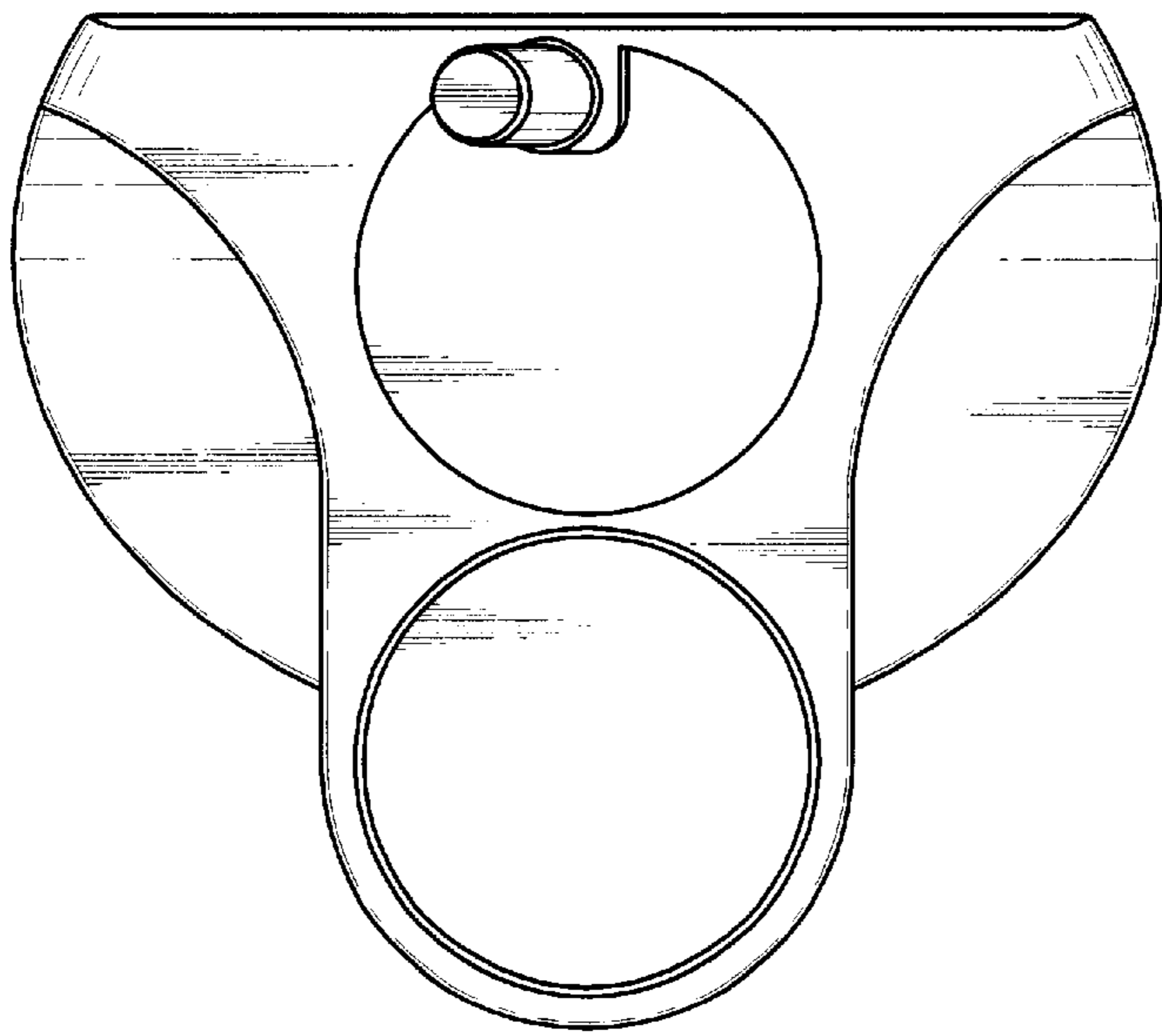


FIG. 1

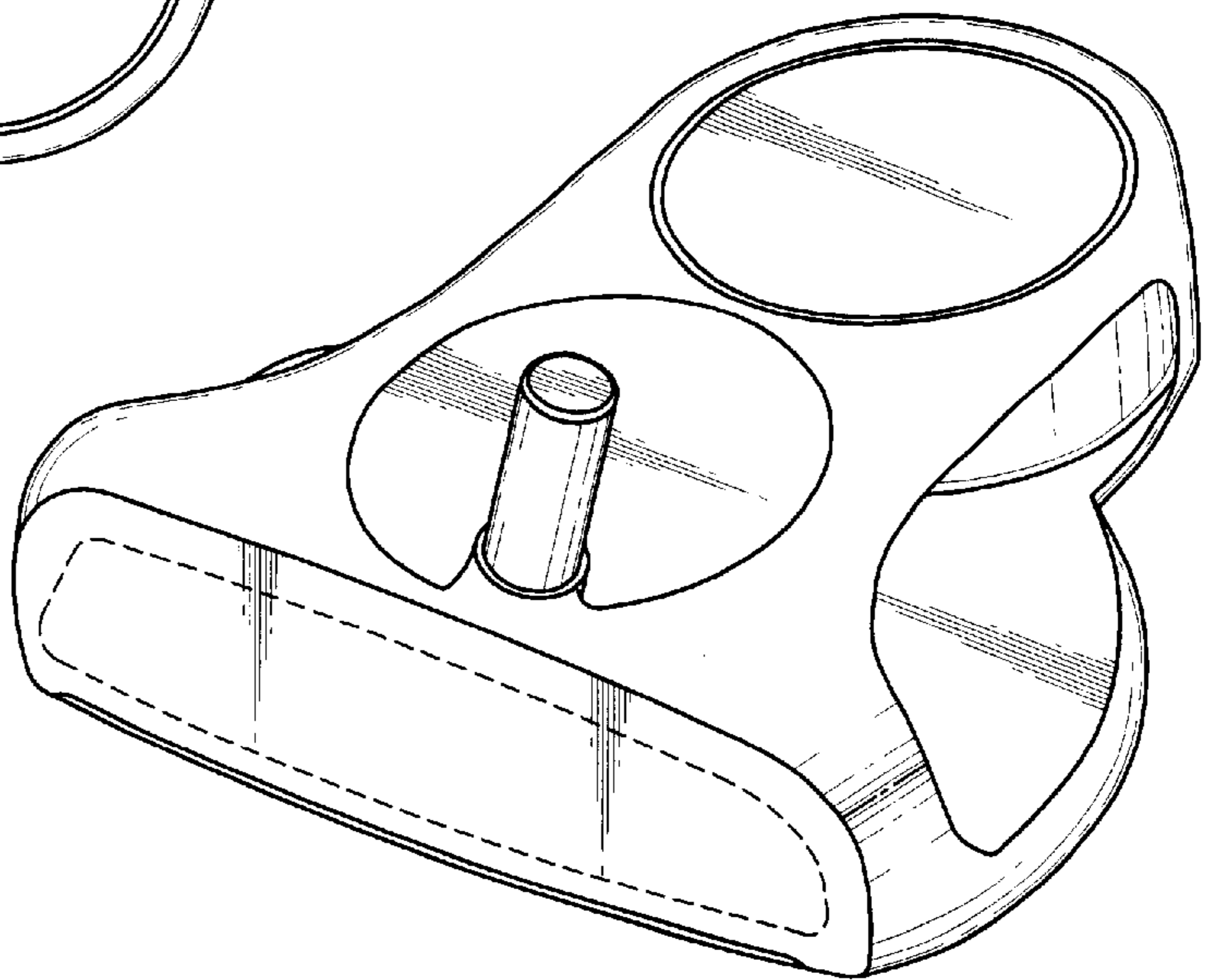


FIG. 2

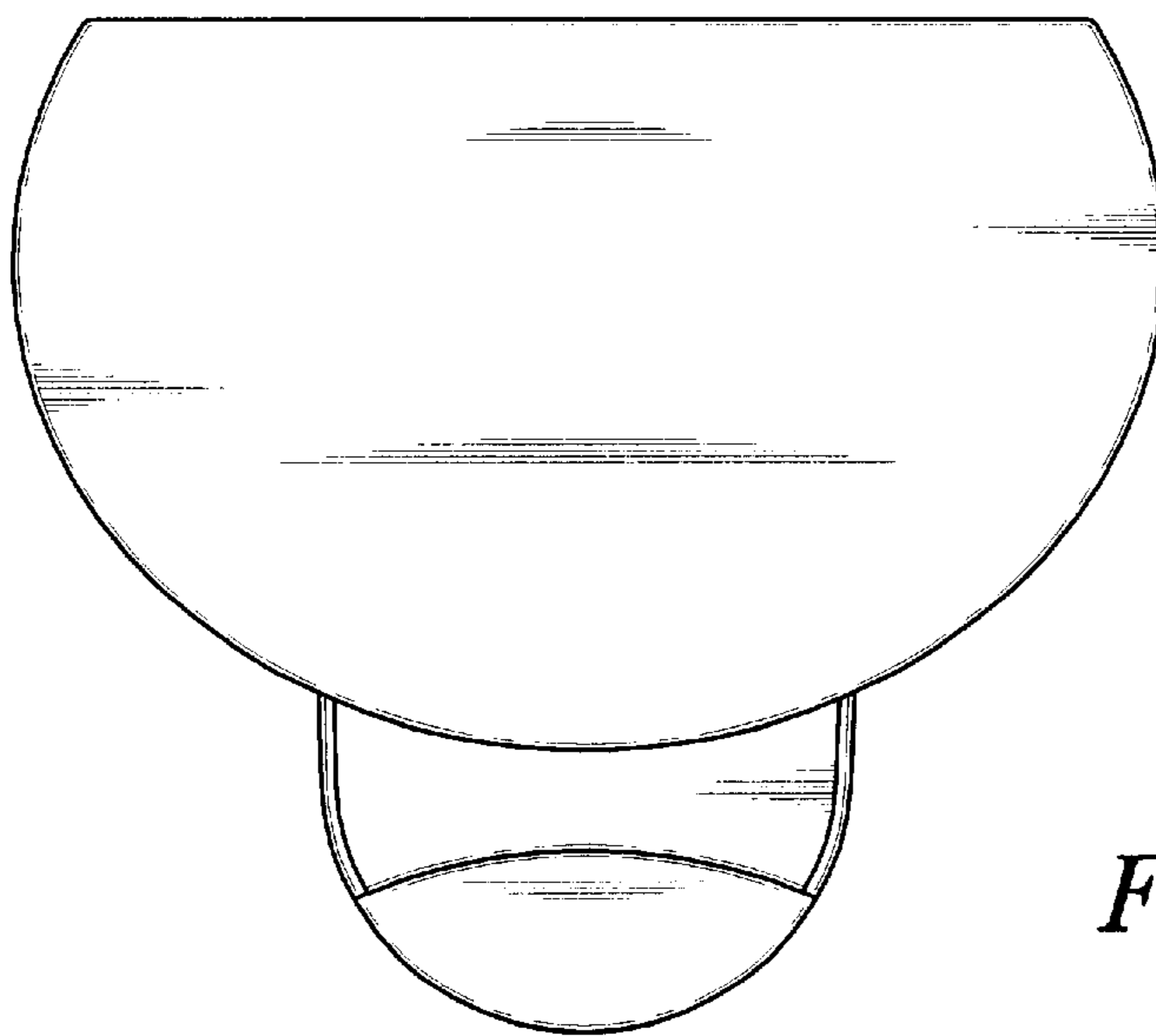


FIG. 3

FIG. 4

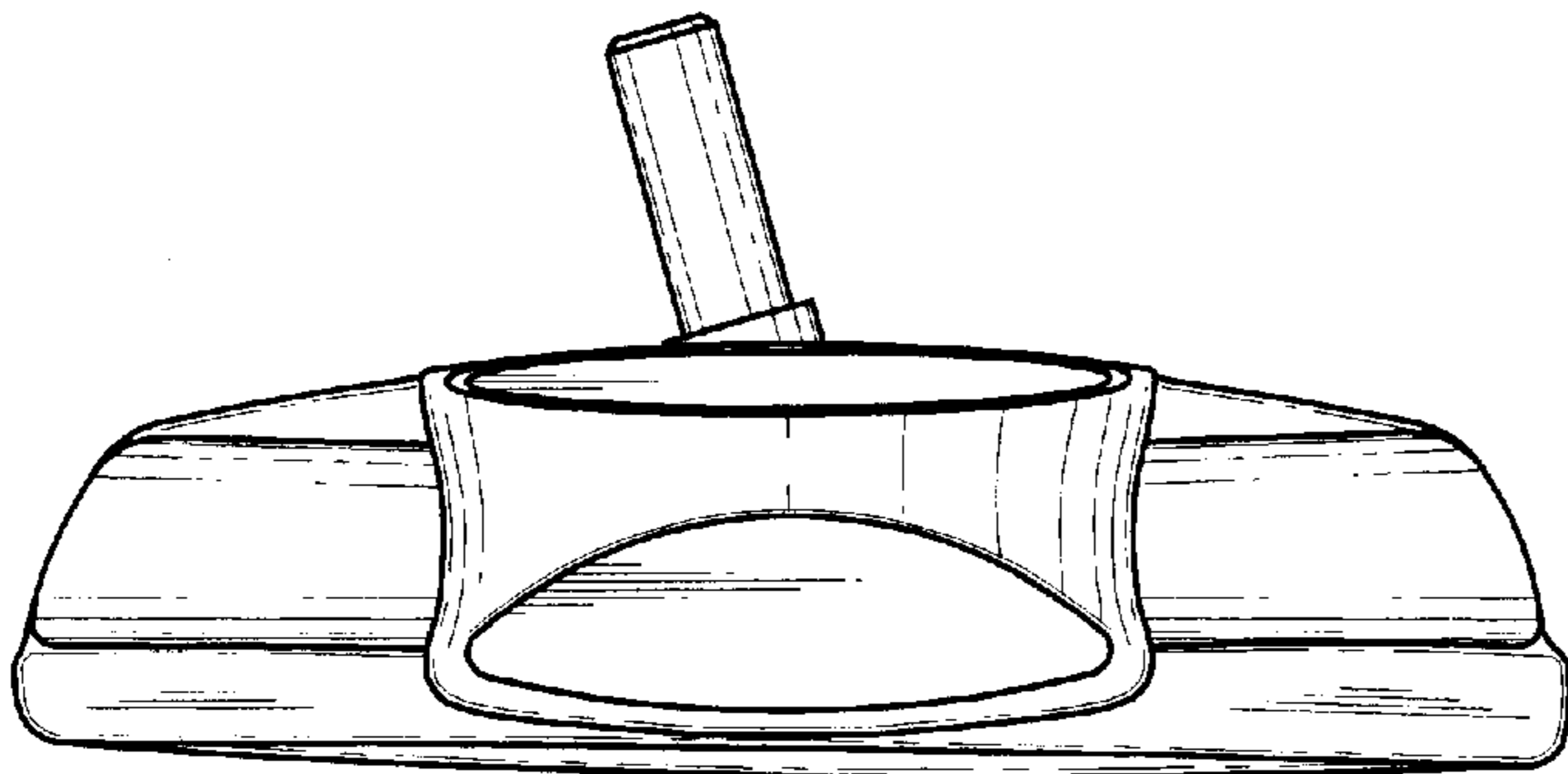
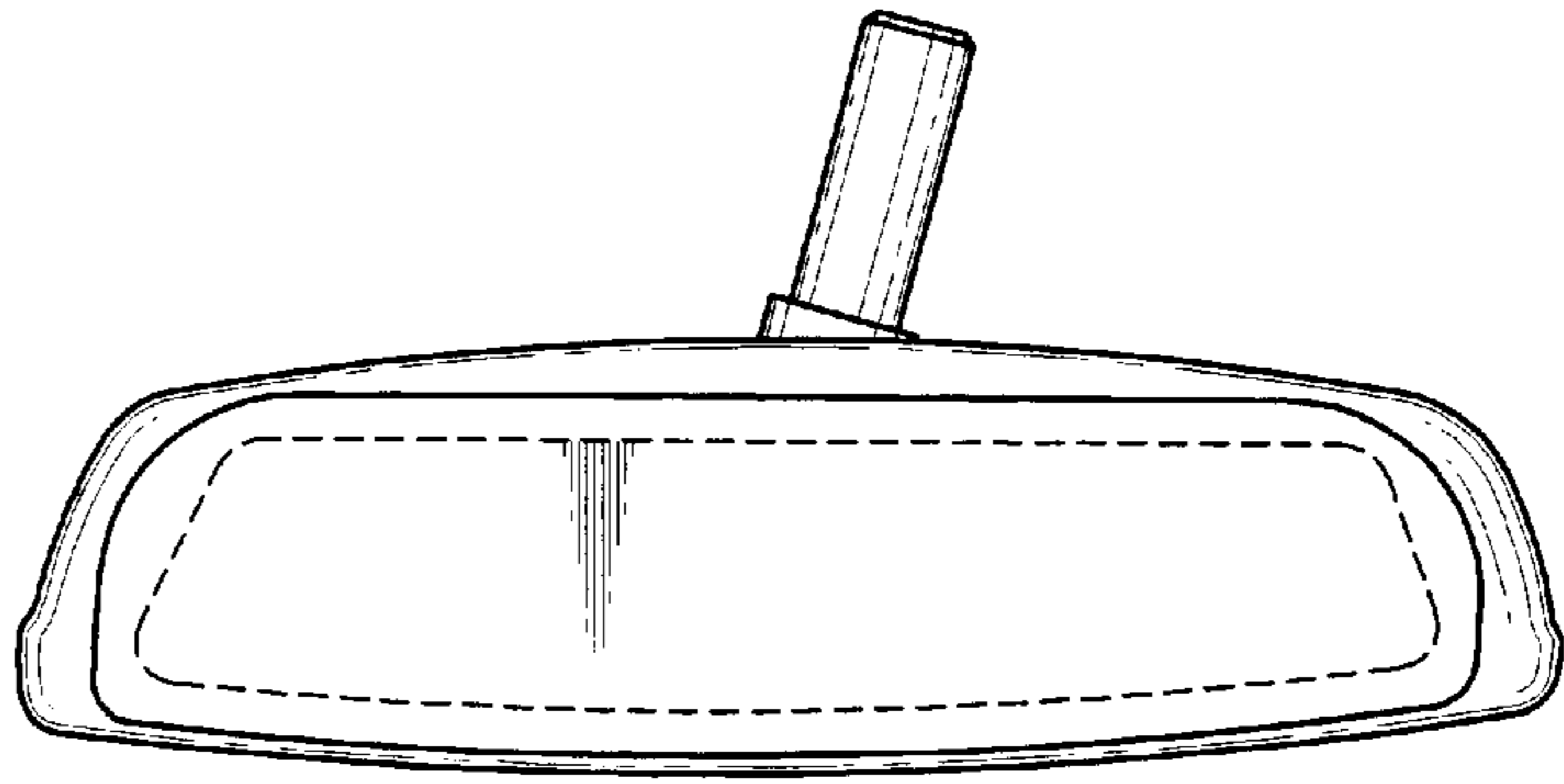


FIG. 5

FIG. 6

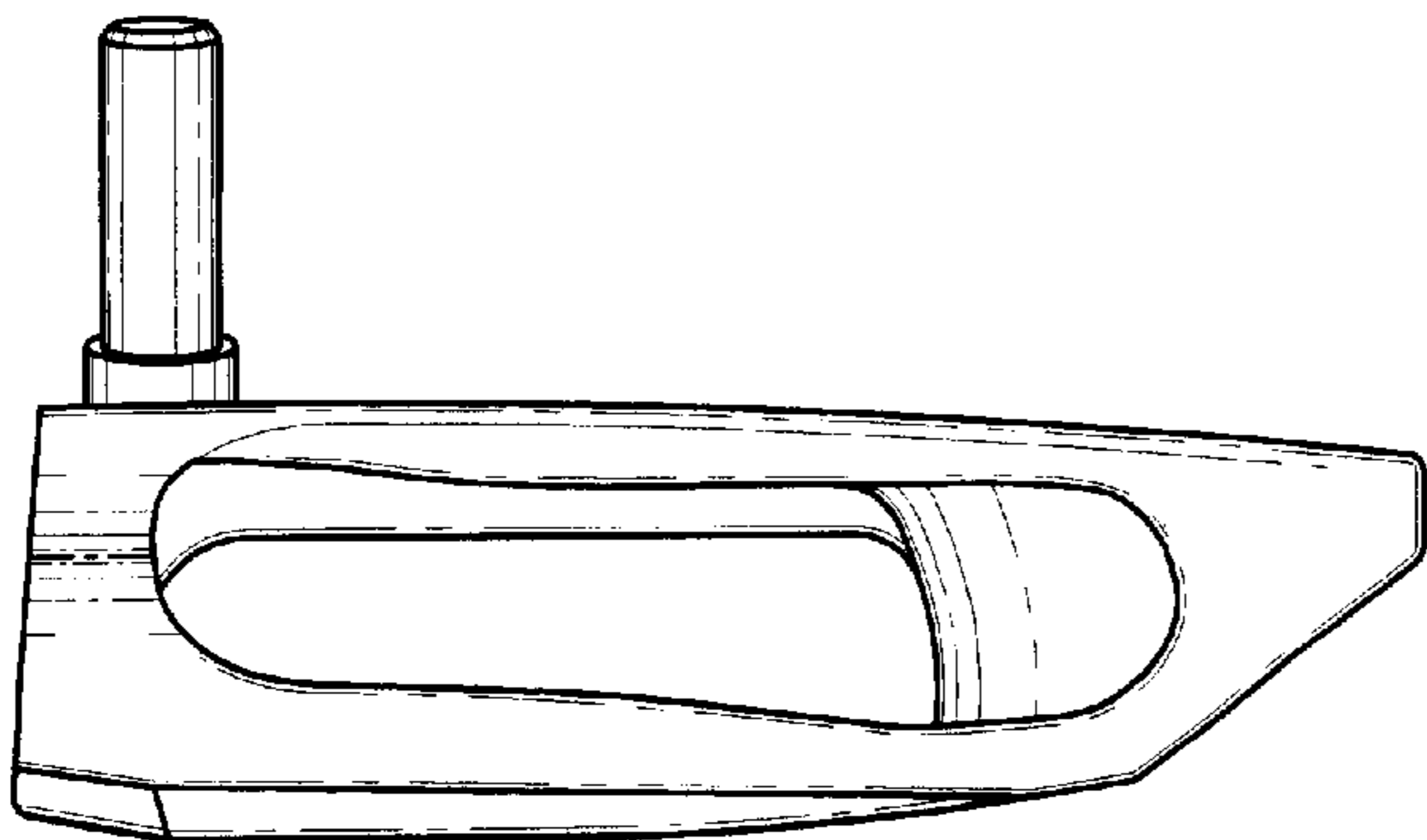
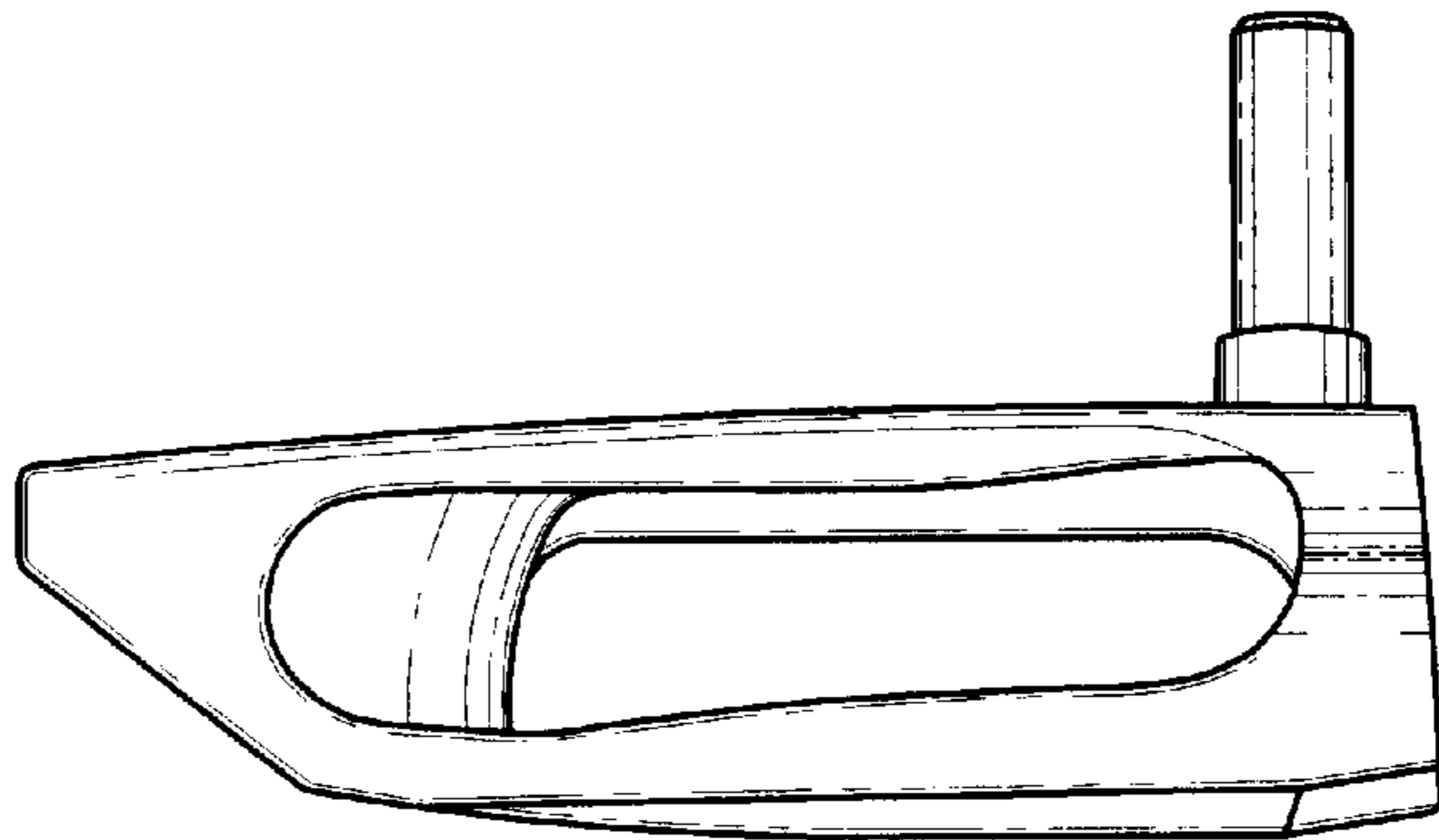


FIG. 7