



US00D485319S

(12) **United States Design Patent**
Keller

(10) **Patent No.:** **US D485,319 S**

(45) **Date of Patent:** **** Jan. 13, 2004**

(54) **FELTED POOL BRIDGE**

(76) **Inventor:** **Larry D. Keller**, 6180 Enterprise Dr.,
Unit C, Diamond Springs, CA (US)
95619

(**) **Term:** **14 Years**

(21) **Appl. No.:** **29/178,081**

(22) **Filed:** **Mar. 19, 2003**

(51) **LOC (7) Cl.** **21-01**

(52) **U.S. Cl.** **D21/726; D21/782**

(58) **Field of Search** **D21/782, 726,**
D21/385, 386; 473/40-43

(56) **References Cited**

U.S. PATENT DOCUMENTS

D29,997 S	*	1/1899	Evans	D21/726
968,187 A	*	8/1910	McNtire	473/42
2,817,525 A	*	12/1957	Niemann	473/42
3,576,324 A	*	4/1971	Lareau	473/42
4,120,495 A	*	10/1978	Moughler	473/42
D251,308 S	*	3/1979	Drake	D21/726
D354,106 S	*	1/1995	Thompson	D21/726
5,645,490 A	*	7/1997	Lodrick	473/42
D387,114 S	*	12/1997	Bliss	D21/726

* cited by examiner

Primary Examiner—Prabhakar Deshmukh
(74) *Attorney, Agent, or Firm*—Mark C. Jacobs

(57) **CLAIM**

The ornamental design for felted pool bridge, as shown and described.

DESCRIPTION

FIG. 1 is a front perspective of the felted pool bridge of this design.

FIG. 2 is a front elevational view thereof.

FIG. 3 is a bottom plan view of the pool bridge of this design.

FIG. 4 is a right side elevational view of the bridge of this design.

FIG. 5 is a left side elevational view thereof.

FIG. 6 is a top plan view of this design.

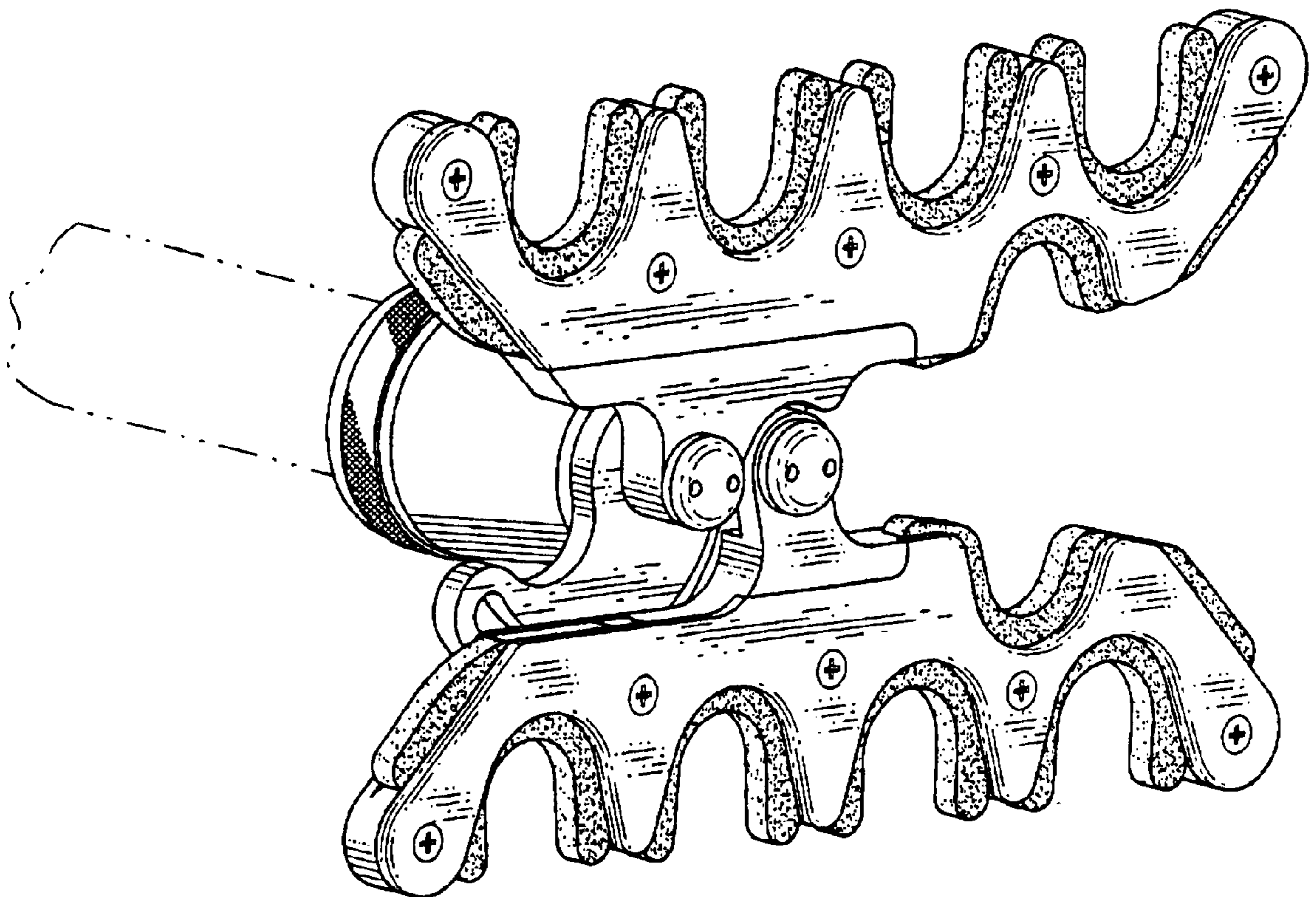
FIG. 7 is a rear elevational view of the pool bridge.

FIG. 8 is a rear elevational view, showing the top portion of the bridge tilted to the right; and,

FIG. 9 is a rear elevational view, showing the top portion of the bridge tilted to the left.

The broken line showing of cue is for illustrative purpose only and forms no part of the claimed design.

1 Claim, 3 Drawing Sheets



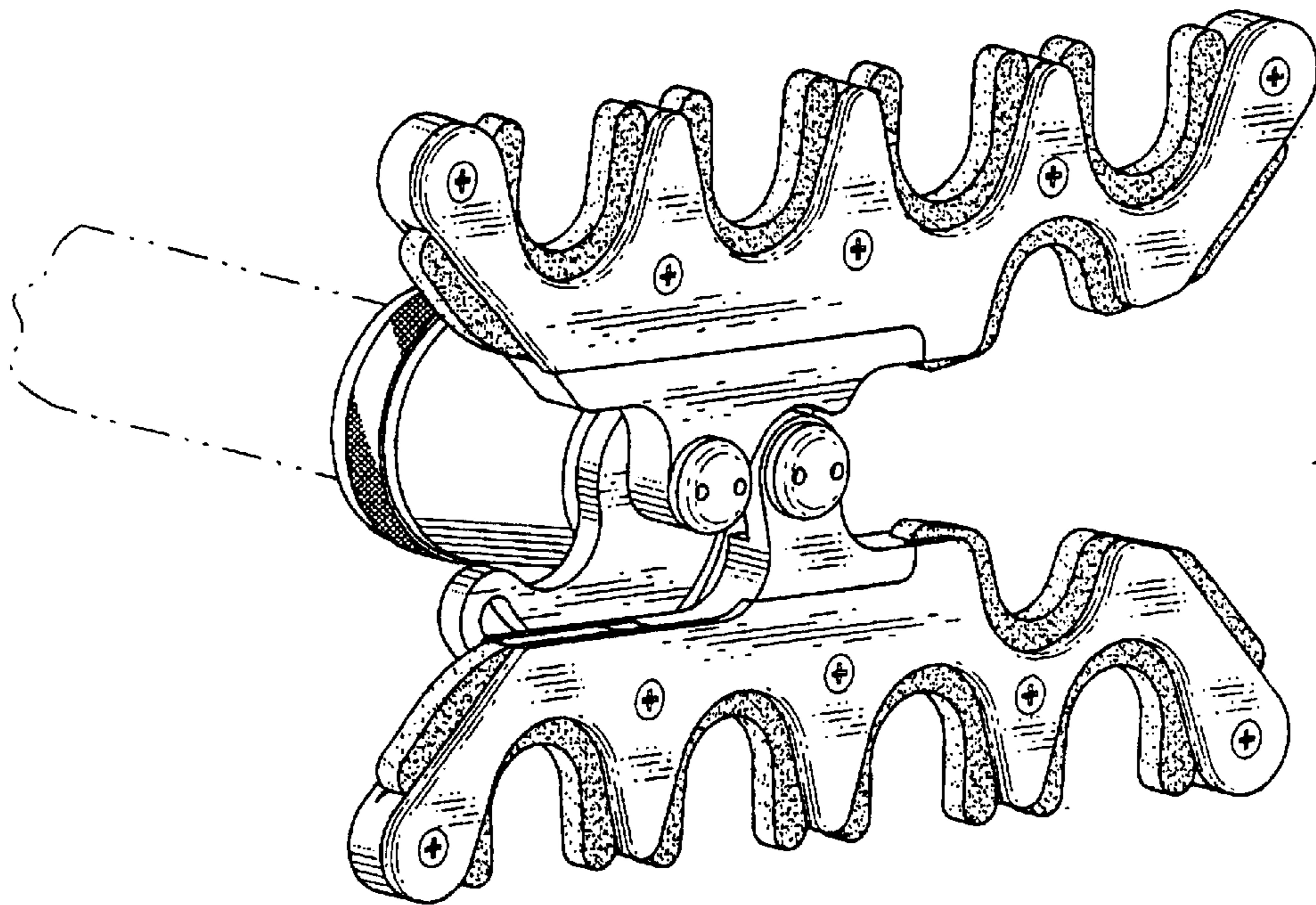


Fig. 1

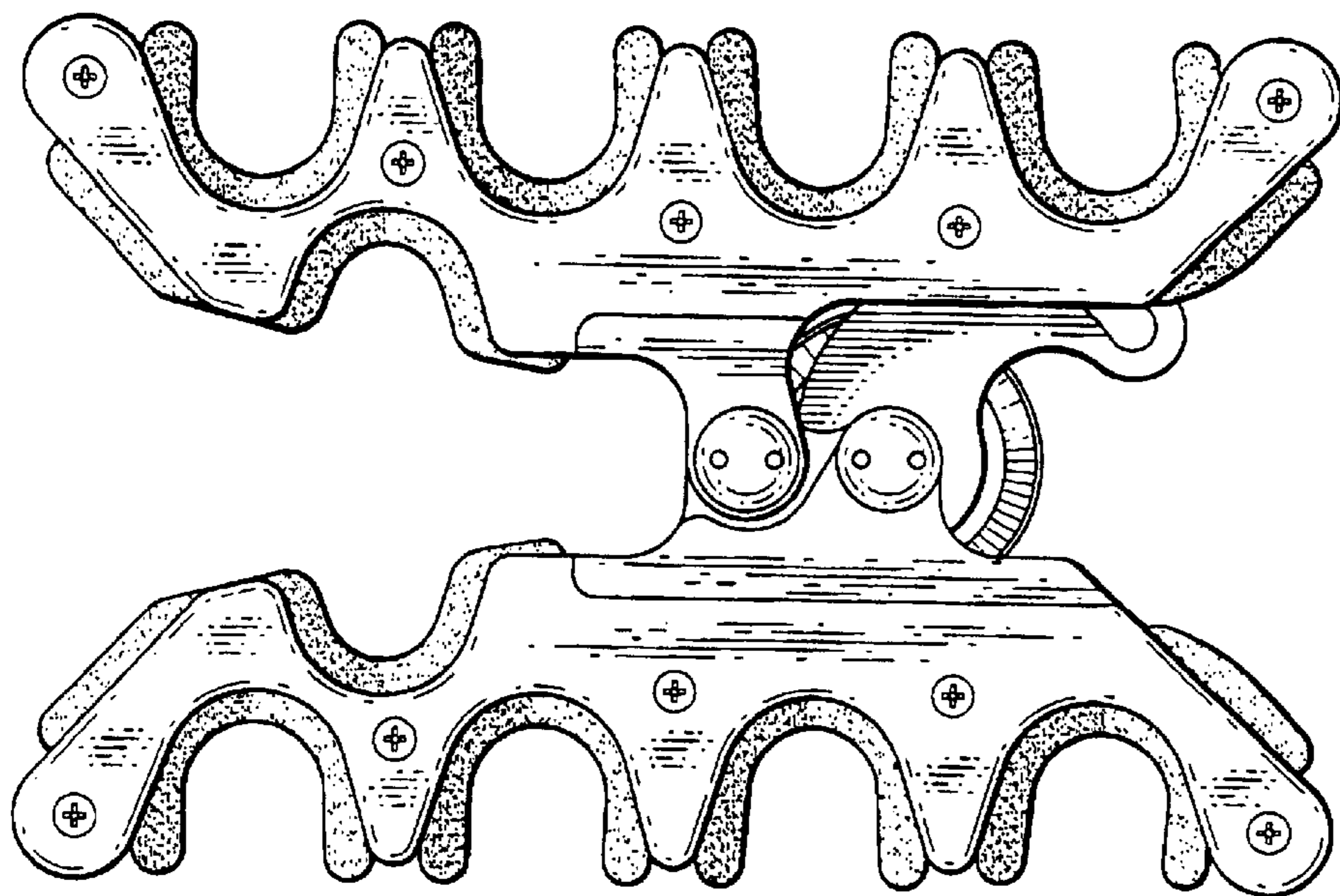


Fig. 2

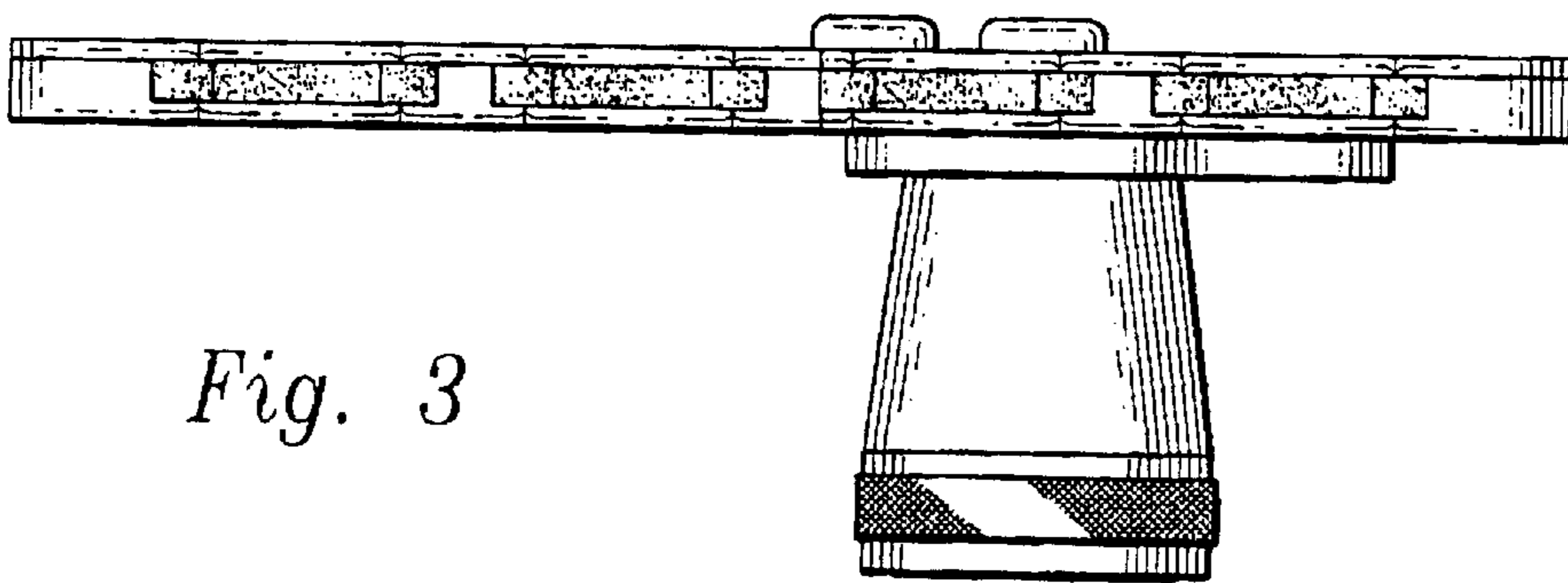


Fig. 3

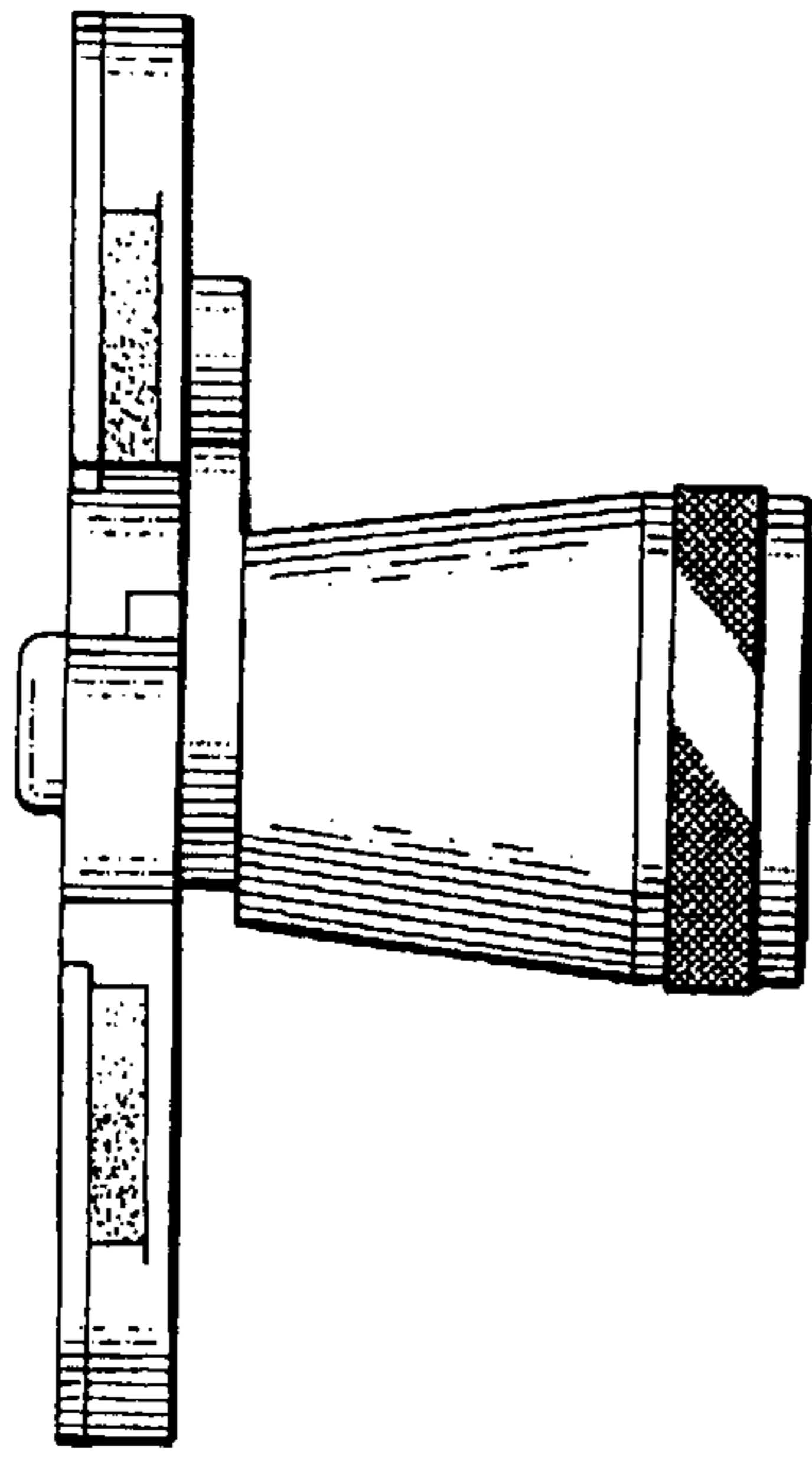


Fig. 4

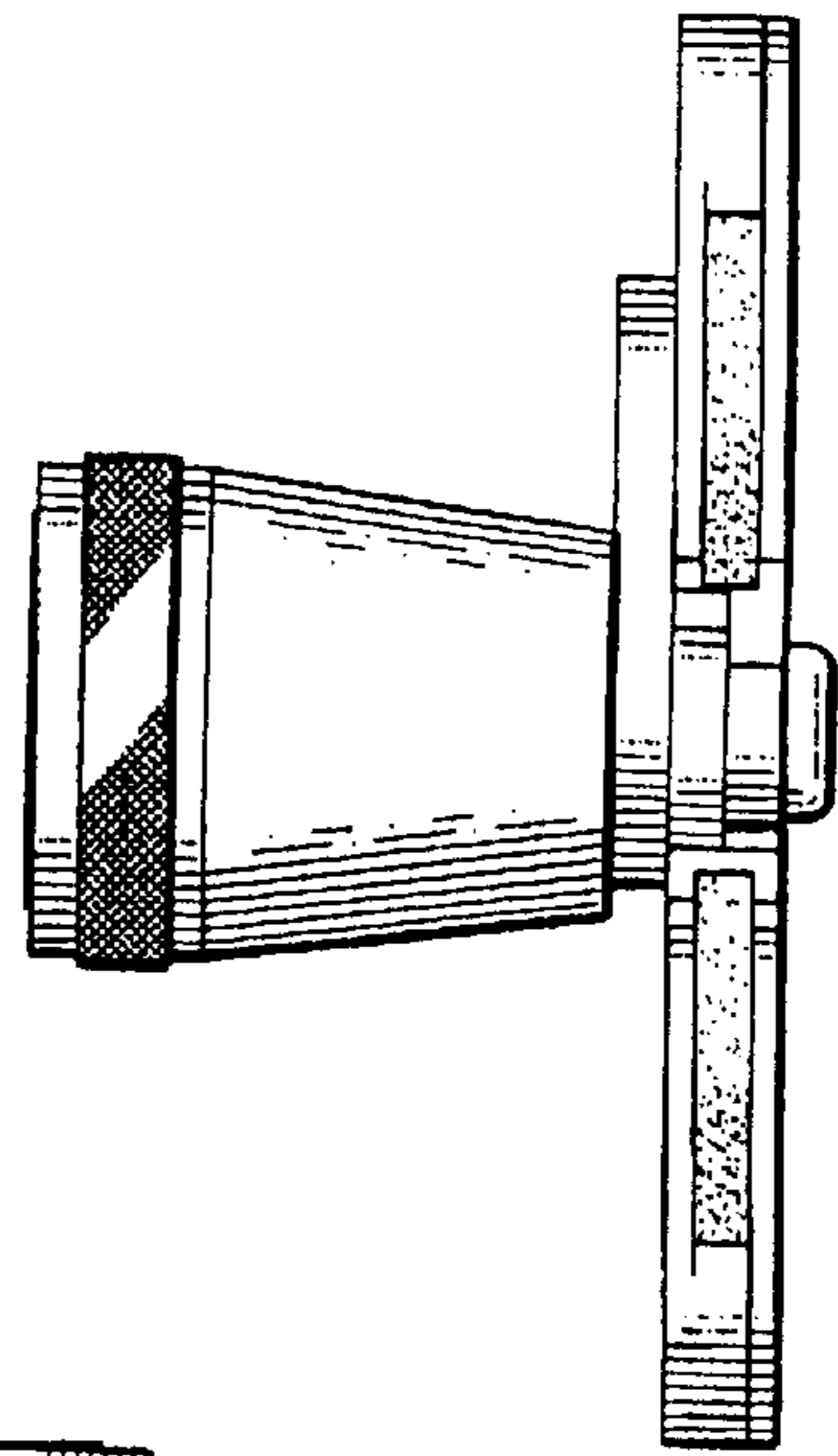


Fig. 5

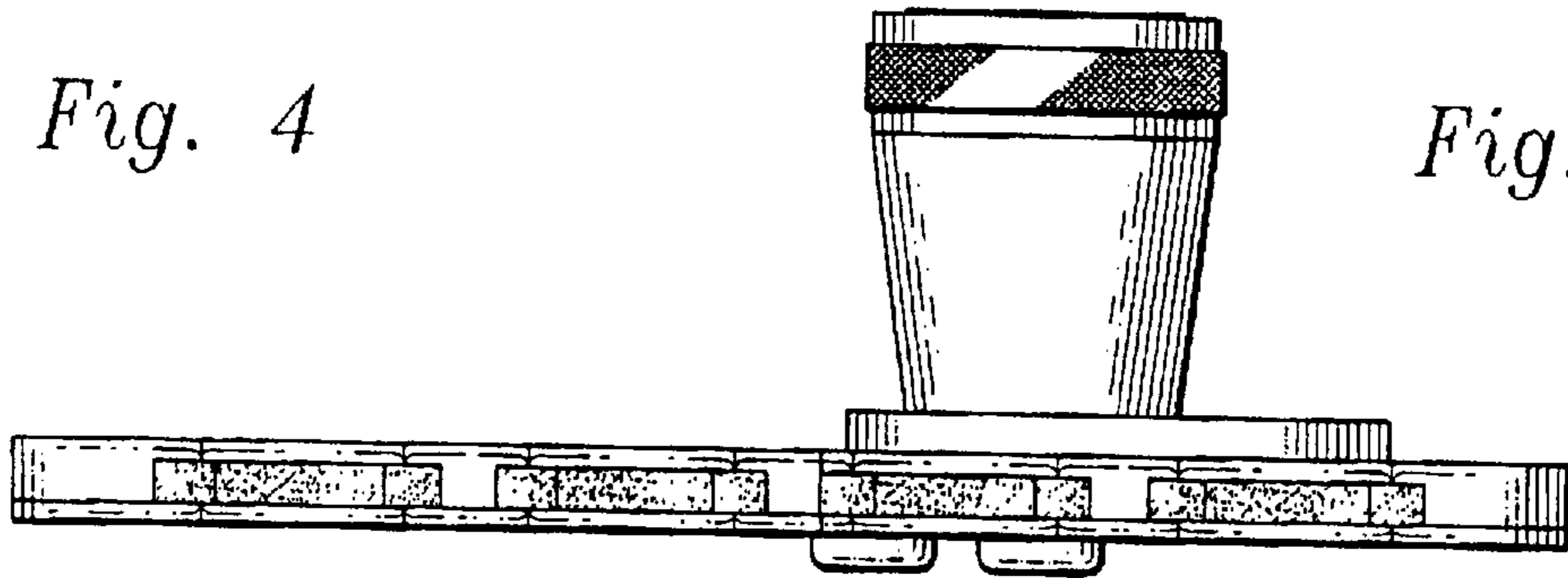


Fig. 6

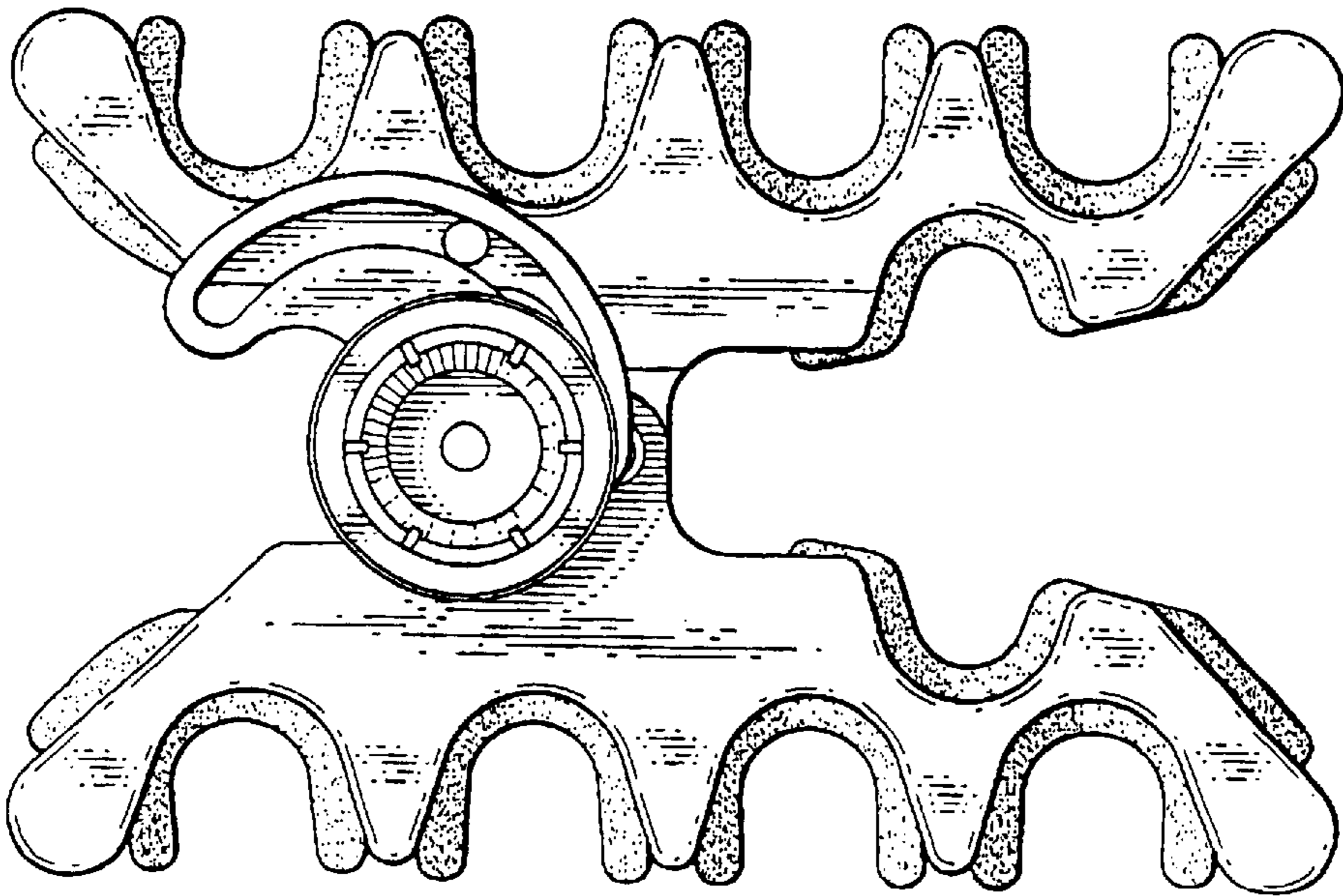


Fig. 7

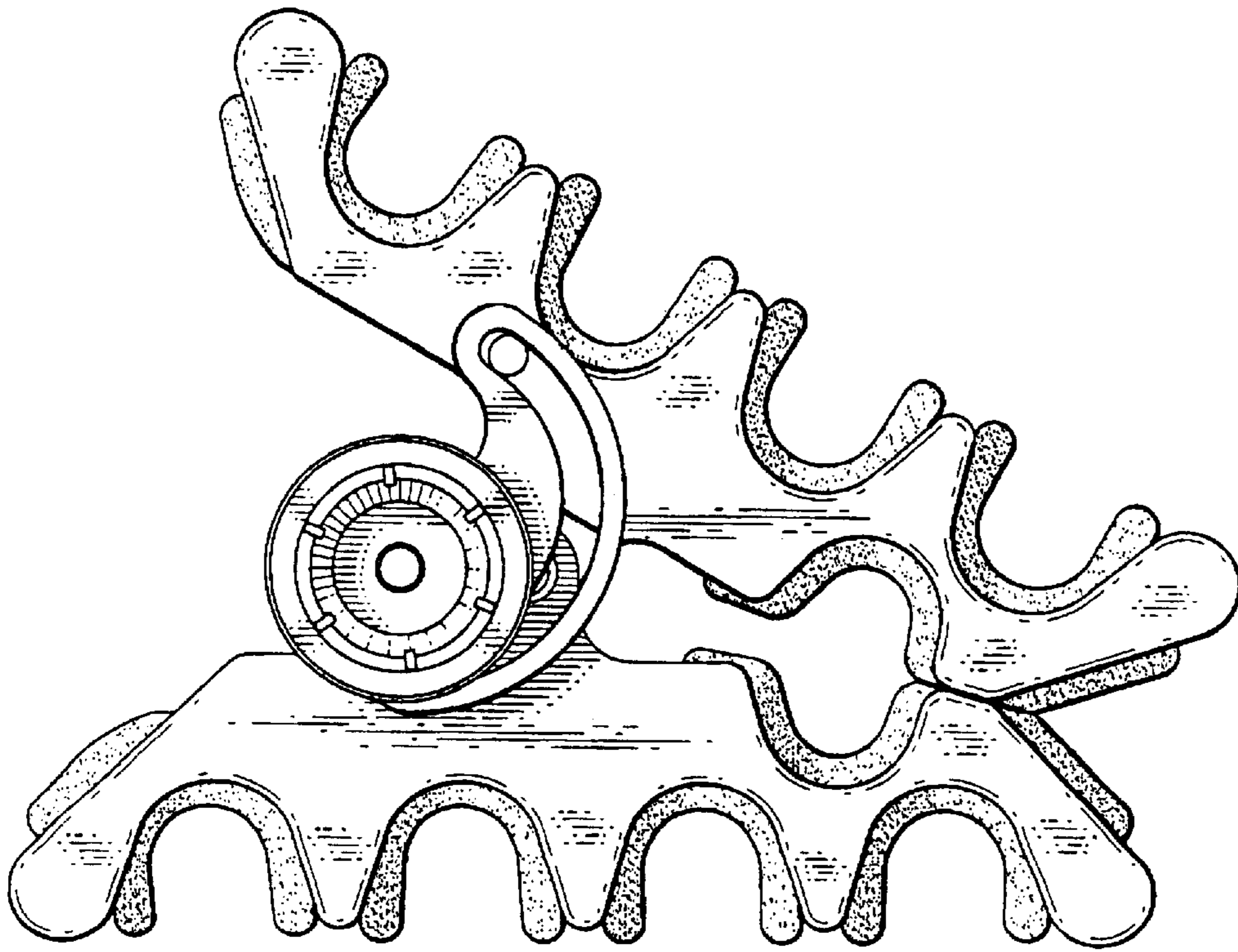


Fig. 8

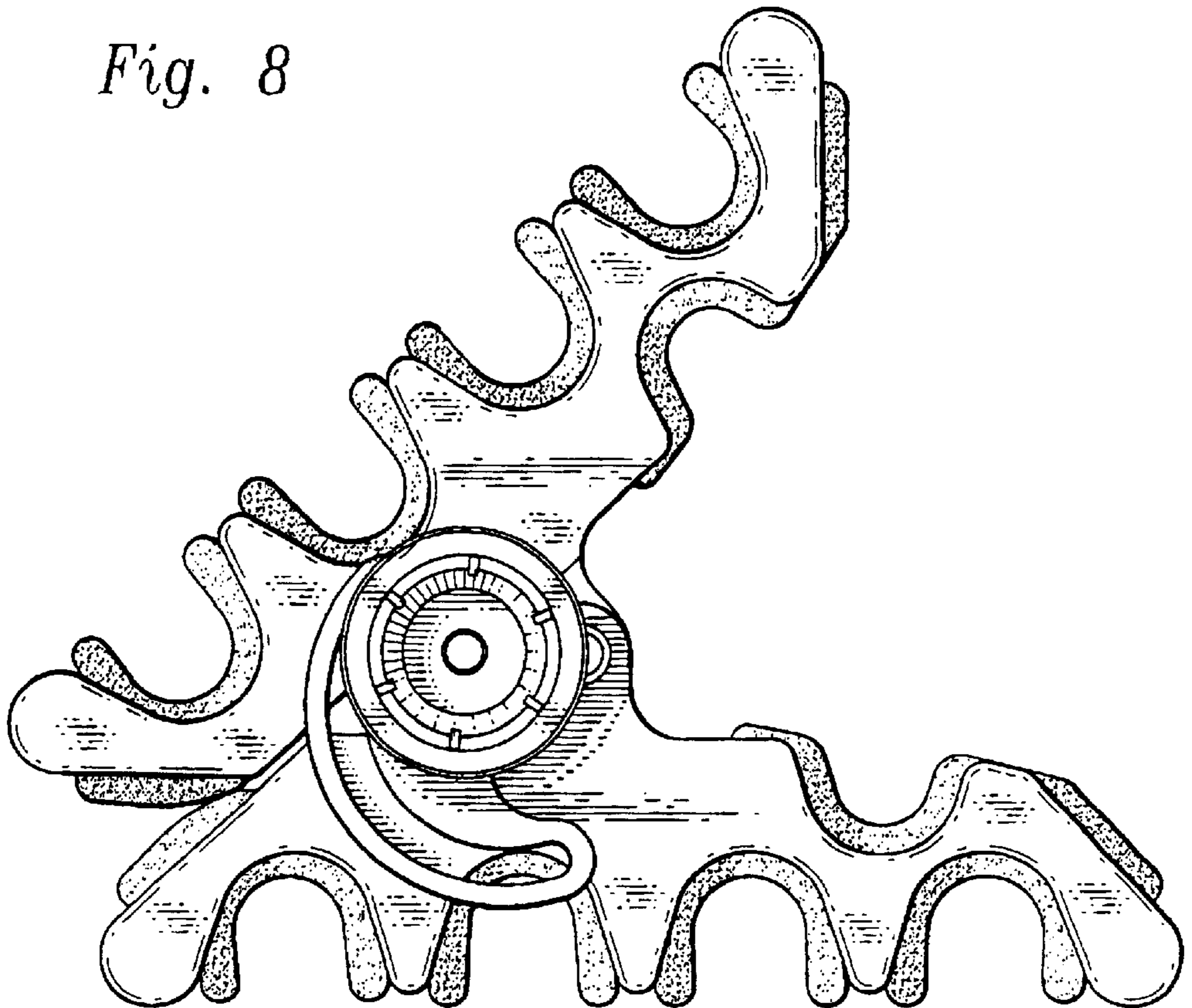


Fig. 9