



US00D485316S

(12) **United States Design Patent**
Poegel, Jr.

(10) **Patent No.:** **US D485,316 S**
(45) **Date of Patent:** **** Jan. 13, 2004**

(54) **TRAINING BASKETBALL**

(76) **Inventor:** **Marvin Loren Poegel, Jr., P.O. Box**
127, 306 Berkey Ave., Swanville, MN
(US) 56382-0127

(**) **Term:** **14 Years**

(21) **Appl. No.:** **29/162,213**

(22) **Filed:** **Jun. 12, 2002**

Related U.S. Application Data

(63) Continuation-in-part of application No. 29/150,384, filed on Nov. 21, 2001.

(51) **LOC (7) Cl.** **21-02**

(52) **U.S. Cl.** **D21/714**

(58) **Field of Search** D21/707, 713,
D21/714, 781; 473/569, 593, 596, 604,
605, 609, 610, 611, 472, FOR 134, FOR 143,
FOR 148, FOR 149, FOR 152, FOR 155;
482/92, 93; 434/248, 257; 40/327

(56) **References Cited**

U.S. PATENT DOCUMENTS

3,858,876 A * 1/1975 Williams 473/450
4,345,759 A * 8/1982 Nims 473/569
D329,479 S * 9/1992 Williams D21/714
D329,673 S 9/1992 Williams

D329,674 S 9/1992 Williams
D386,227 S * 11/1997 Hegenbarth et al. D21/714
D386,228 S 11/1997 Hegenbarth et al.
D387,403 S 12/1997 Hegenbarth et al.
D395,690 S * 6/1998 Villavicencio D21/204

FOREIGN PATENT DOCUMENTS

GB 2035146 * 11/1993 21/2

* cited by examiner

Primary Examiner—Philip S. Hyder

Assistant Examiner—C. Tuttle

(74) *Attorney, Agent, or Firm*—Merchant & Gould PC

(57) **CLAIM**

The ornamental design for a training basketball, as shown and described.

DESCRIPTION

FIG. 1 is a front elevational view of the training basketball for right and left hand showing my new design; FIG. 2 is a rear elevational view thereof; FIG. 3 is a right side elevational view thereof; FIG. 4 is a left side elevational view thereof; FIG. 5 is a top plan view thereof; and, FIG. 6 is a bottom plan view thereof.

The broken lines are shown for illustrative purposes only; and form no part of the claimed design.

1 Claim, 3 Drawing Sheets

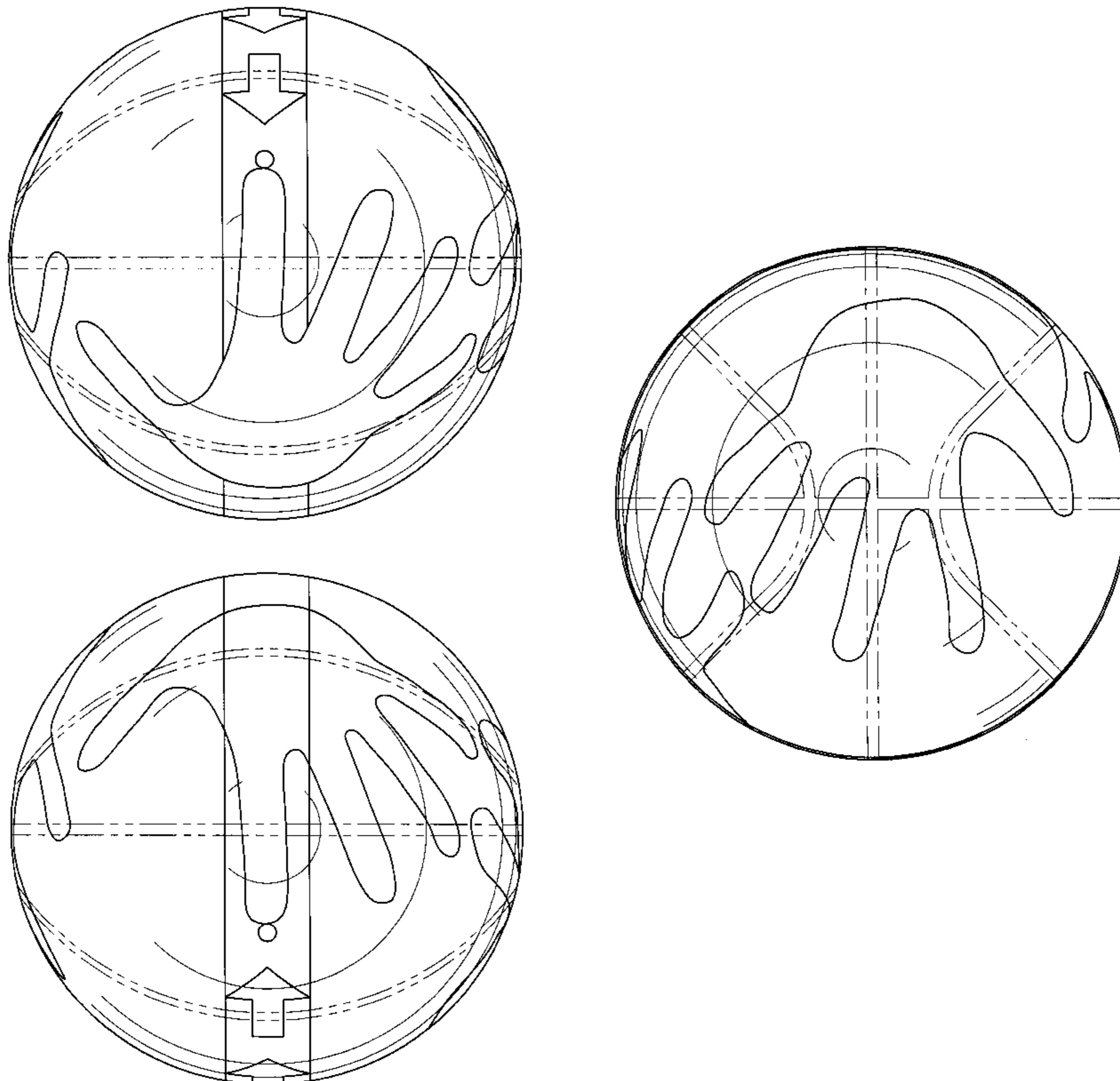


FIG. 1

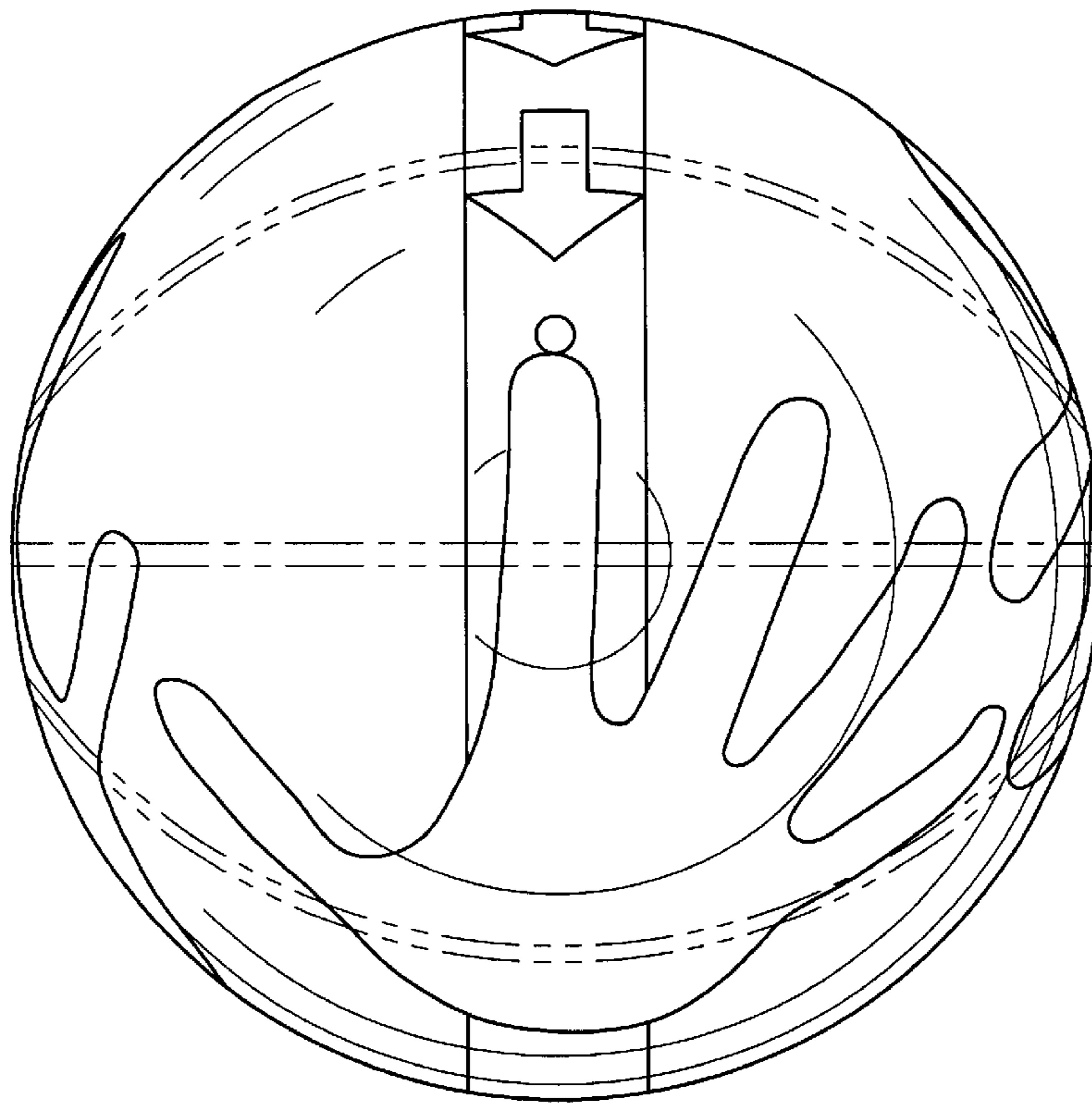


FIG. 2

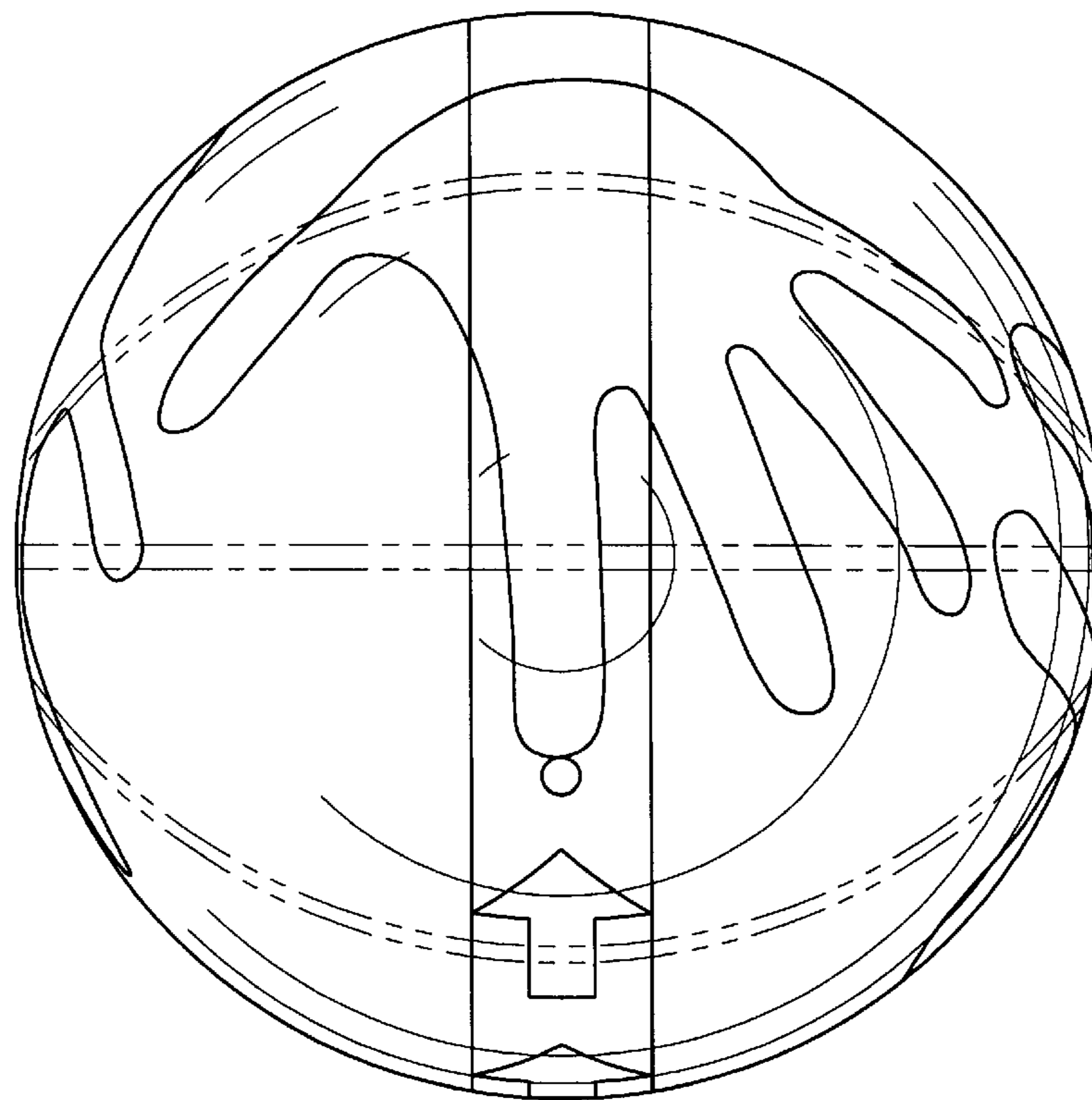


FIG.3

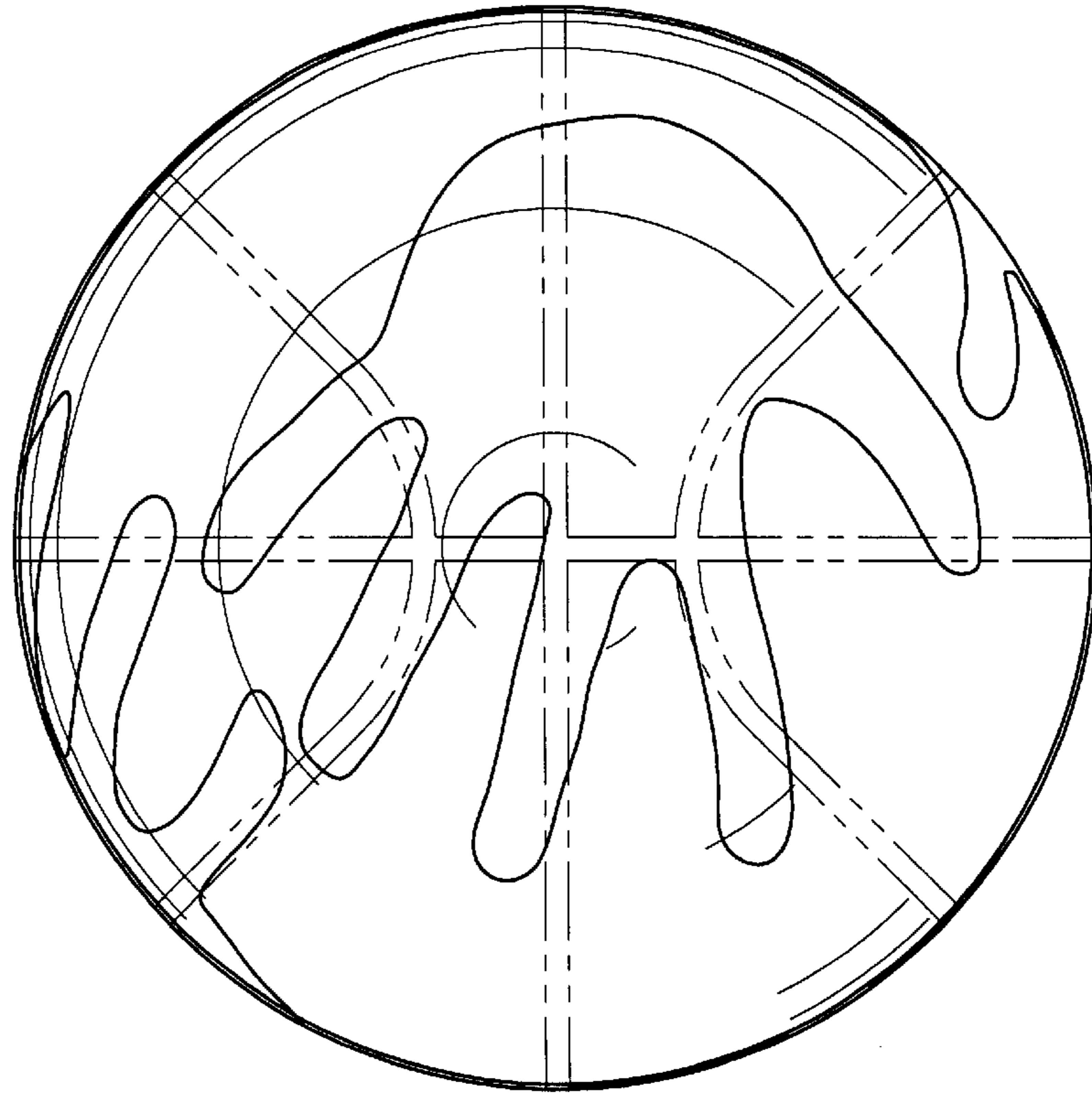


FIG.4

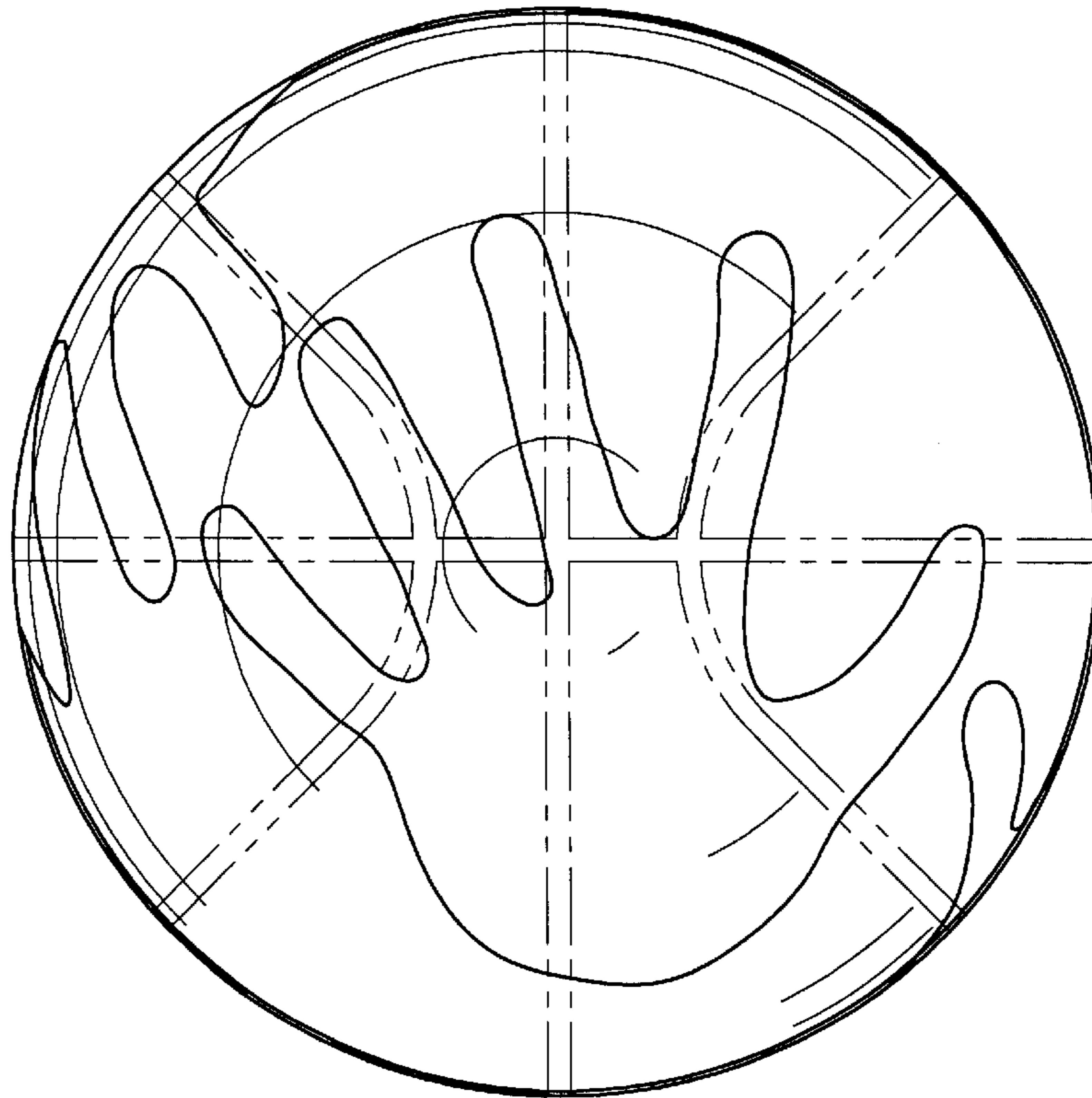


FIG.5

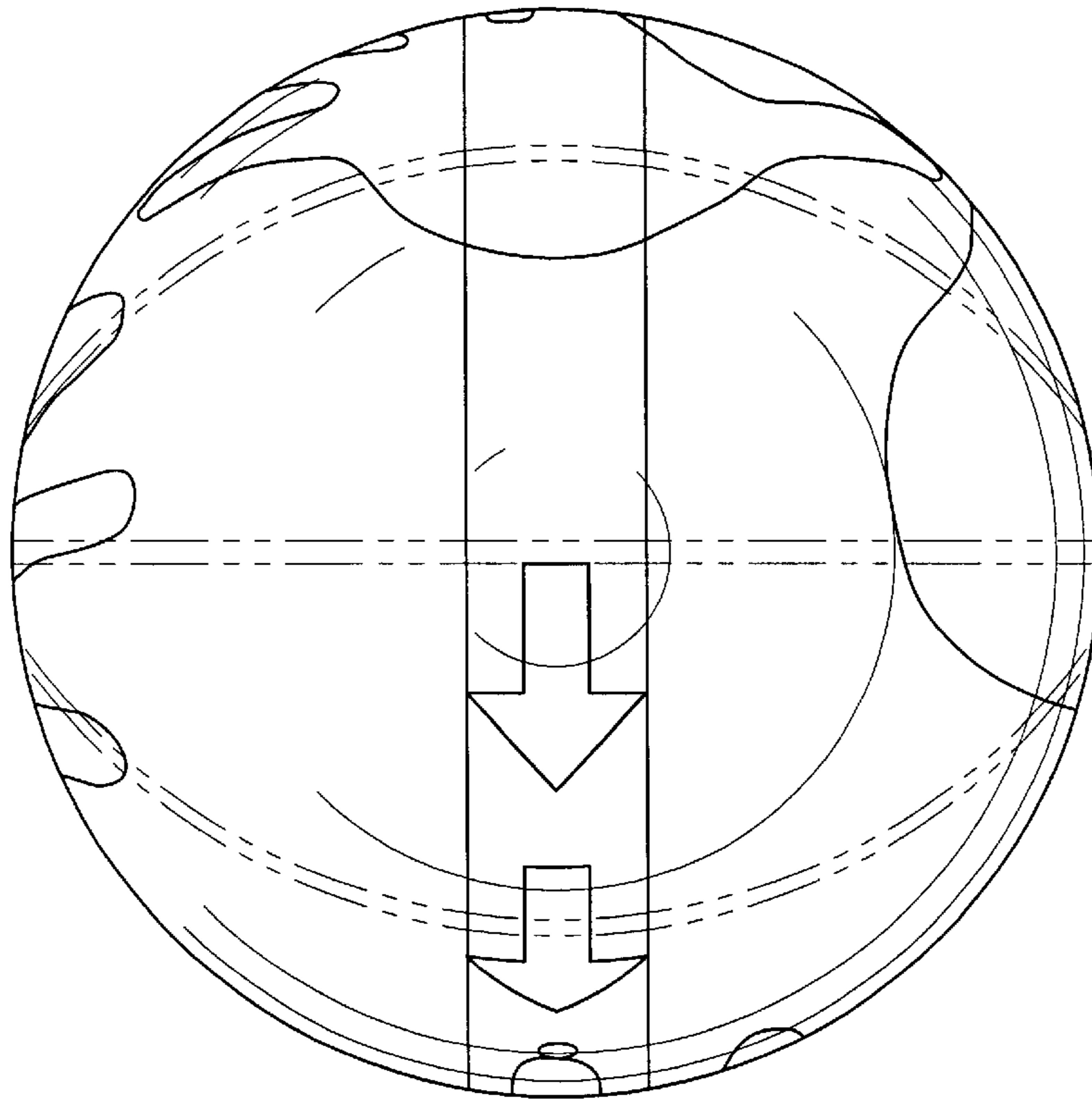


FIG.6

