



US00D485310S

(12) **United States Design Patent** (10) **Patent No.:** **US D485,310 S**
Bartholomew et al. (45) **Date of Patent:** **** Jan. 13, 2004**

(54) **COSMETIC DISPENSER**

(75) Inventors: **Julie R. Bartholomew**, Birmingham, MI (US); **Richard T. Jobe**, Dayton, OH (US); **Thomas C. Bodiker, II**, Englewood, OH (US)

(73) Assignee: **IMX Labs, Inc.**, Birmingham, MI (US)

(**) Term: **14 Years**

(21) Appl. No.: **29/157,727**

(22) Filed: **Mar. 22, 2002**

(51) **LOC (7) Cl.** **20-01**

(52) **U.S. Cl.** **D20/4**

(58) **Field of Search** D20/1, 4, 5, 99; D6/515; D7/590; D9/339; D21/325, 369, 374; 141/104; 221/92, 103, 113, 133; 222/1, 135, 144, 144.5, 145.1; 273/447, 448; 312/114

5,137,367 A	8/1992	Madonia et al.
5,163,010 A	11/1992	Klein et al.
5,193,720 A	3/1993	Mayberry
5,197,802 A	3/1993	Miller et al.
5,268,620 A	12/1993	Hellenberg
5,271,628 A	12/1993	Okada
5,305,917 A	4/1994	Miller et al.
5,310,257 A	5/1994	Altieri, Jr. et al.
D347,645 S	6/1994	Miller
D347,646 S	6/1994	Mayberry
5,328,057 A	7/1994	Hellenberg et al.
D349,506 S	8/1994	Caruso et al.
5,356,041 A	10/1994	Hellenberg et al.

(List continued on next page.)

FOREIGN PATENT DOCUMENTS

EP	1093842	4/2001
WO	WO 99/34905	7/1999
WO	WO 01/75586	10/2001
WO	WO 03/026458	4/2003

OTHER PUBLICATIONS

Search Report dated May 23, 2003 (1026-017WO).

Primary Examiner—Robert M. Spear

(74) *Attorney, Agent, or Firm*—Dobrusin & Thennisch PC

(57) **CLAIM**

The ornamental design for a cosmetic dispenser, as shown and described.

DESCRIPTION

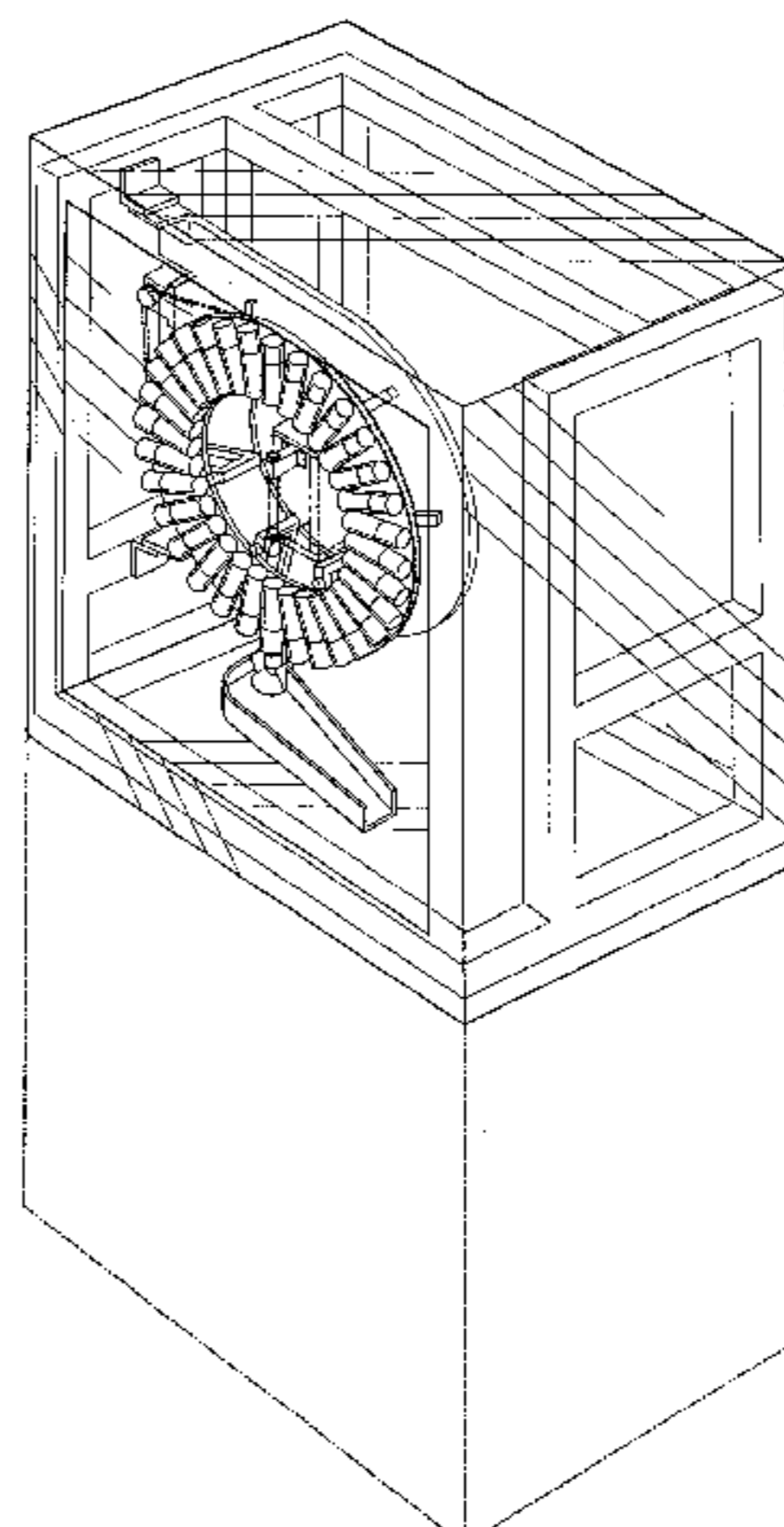
FIG. 1 is a perspective view illustrating a cosmetic dispenser of the present invention;
FIG. 2 is a front elevational view thereof;
FIG. 3 is a top view thereof;
FIG. 4 is a bottom view thereof;
FIG. 5 is a side view thereof; and,
FIG. 6 is another side view thereof.
The broken lines in the drawings depict environmental structure, which forms no part of the claimed design.

1 Claim, 3 Drawing Sheets

(56) **References Cited**

U.S. PATENT DOCUMENTS

1,912,899 A	*	6/1933	Johannsen	312/114
D90,897 S	*	10/1933	Rockola	D21/374
D96,564 S		8/1935	Simpkins		
D192,180 S		2/1962	Hodgman		
D192,301 S	*	2/1962	Schaeff	D20/1
3,024,583 A	*	3/1962	Gastright	53/564
3,036,732 A	*	5/1962	Schaeff	221/113
D248,693 S	*	7/1978	Housman	D20/1
4,133,525 A	*	1/1979	Balles et al.	273/447
4,176,762 A		12/1979	Scalera et al.		
4,561,850 A		12/1985	Fabbri et al.		
4,705,083 A		11/1987	Rossetti		
4,871,262 A		10/1989	Krauss et al.		
D306,808 S		3/1990	Thomas		
4,953,985 A		9/1990	Miller		
4,967,938 A		11/1990	Hellenberg		
5,044,520 A		9/1991	Moisan		
D322,542 S		12/1991	Fontlladosa		
5,078,302 A		1/1992	Hellenberg		
5,119,973 A		6/1992	Miller et al.		
D327,695 S		7/1992	Edstrom		
D327,895 S		7/1992	Edstrom		



US D485,310 S

Page 2

U.S. PATENT DOCUMENTS					
5,361,812 A	11/1994	Arneson et al.	D401,246 S	11/1998	Langeveld et al.
5,368,196 A	11/1994	Hellenberg et al.	5,862,947 A	1/1999	Wiegner et al.
5,397,134 A	3/1995	Fishman et al.	5,897,204 A	4/1999	Dittmer et al.
D357,142 S	* 4/1995	Jones et al. D6/456	5,903,465 A	5/1999	Brown
5,478,238 A	12/1995	Gourtou et al.	5,904,421 A	5/1999	Mazzalveri
D366,304 S	1/1996	Lewis	5,906,433 A	5/1999	Mazzalveri
5,480,288 A	1/1996	Hellenberg et al.	5,938,080 A	8/1999	Haaser et al.
5,507,575 A	4/1996	Rossetti	5,992,691 A	11/1999	Post et al.
5,549,372 A	8/1996	Lewis	6,002,488 A	12/1999	Berg et al.
D374,677 S	10/1996	Hodson et al.	6,003,731 A	12/1999	Post et al.
5,626,260 A	5/1997	Waldner	6,035,860 A	3/2000	Mombourquette
5,632,314 A	5/1997	Koppe et al.	6,056,158 A	5/2000	Rossetti et al.
5,690,252 A	11/1997	Oleksiewicz et al.	6,089,538 A	7/2000	Shirkhan
5,697,527 A	12/1997	Altieri, Jr. et al.	6,139,429 A	10/2000	Shoemaker, Jr.
5,711,458 A	1/1998	Langeveld et al.	6,412,658 B1	7/2002	Bartholomew et al.
5,711,601 A	1/1998	Thomas et al.	D461,080 S	8/2002	Bartholomew et al.
5,720,017 A	2/1998	Cheetam et al.	D465,810 S	* 11/2002	Bartholomew et al. D20/1
5,778,901 A	7/1998	Abrahamian	2003/0062379 A1	4/2003	Bartholomew et al.
5,785,510 A	7/1998	Altieri, Jr. et al.	2003/0090176 A1	5/2003	Bartholomew et al.
5,797,750 A	8/1998	Gouriou et al.			

* cited by examiner

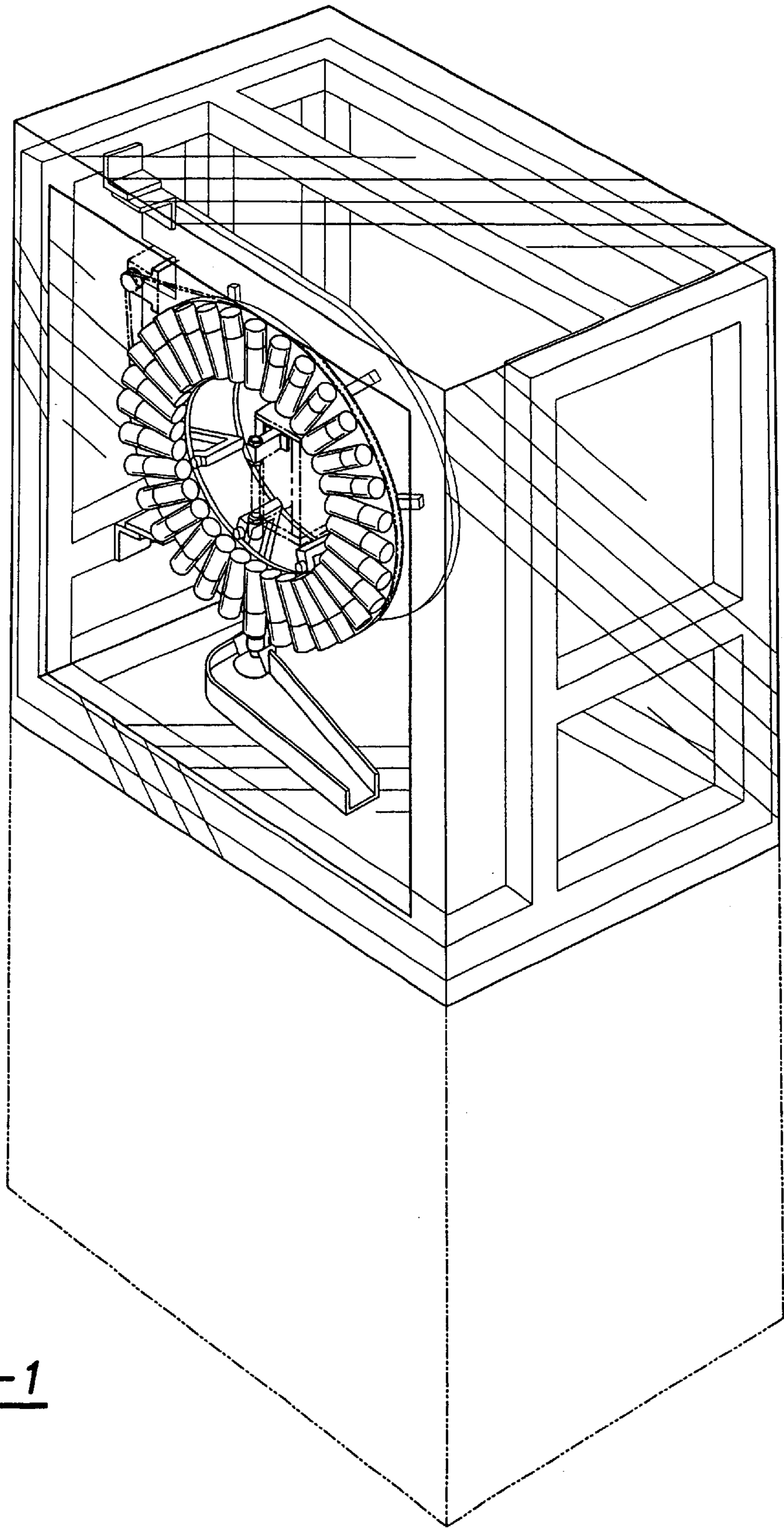


Fig-1

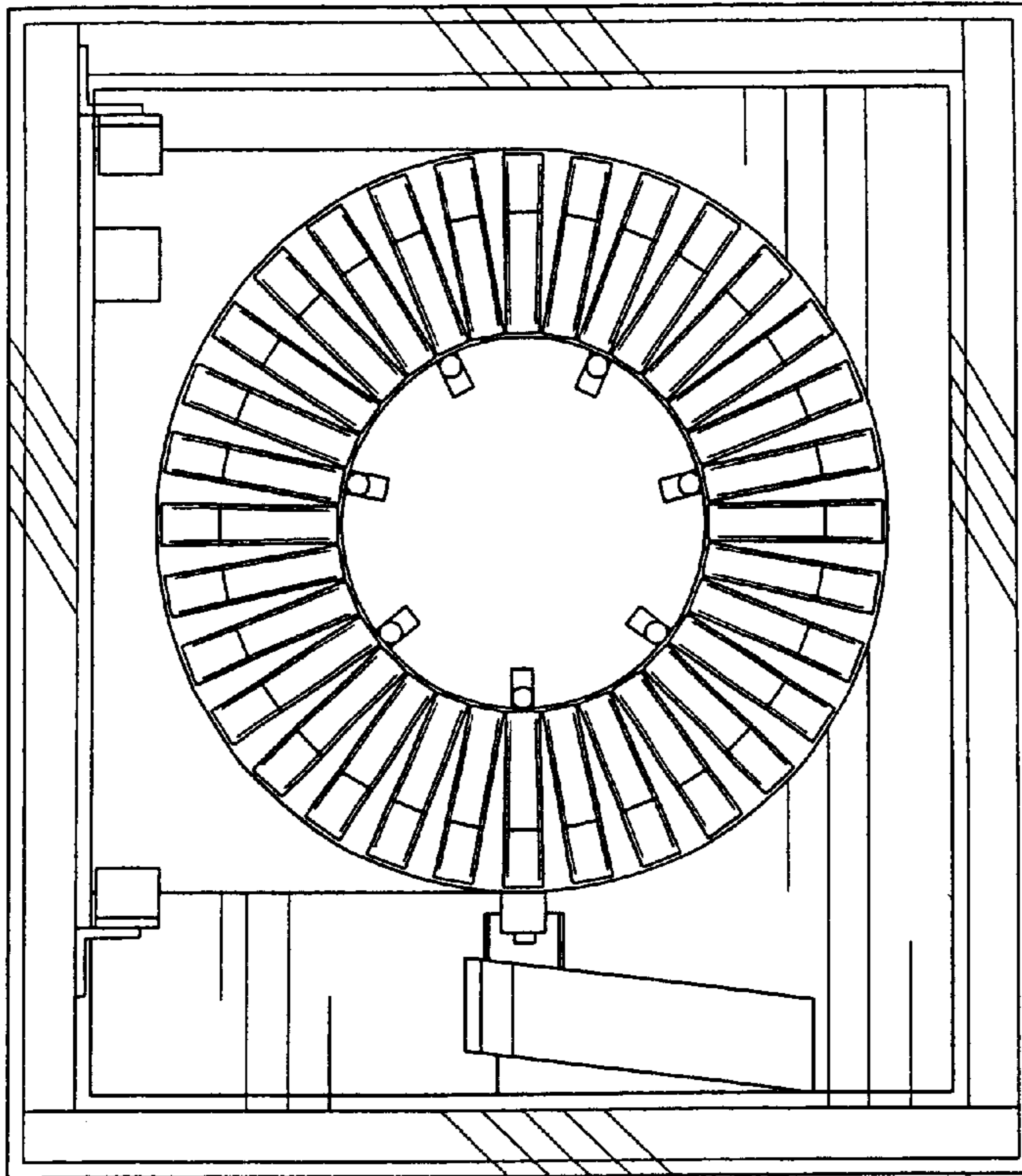


Fig-2

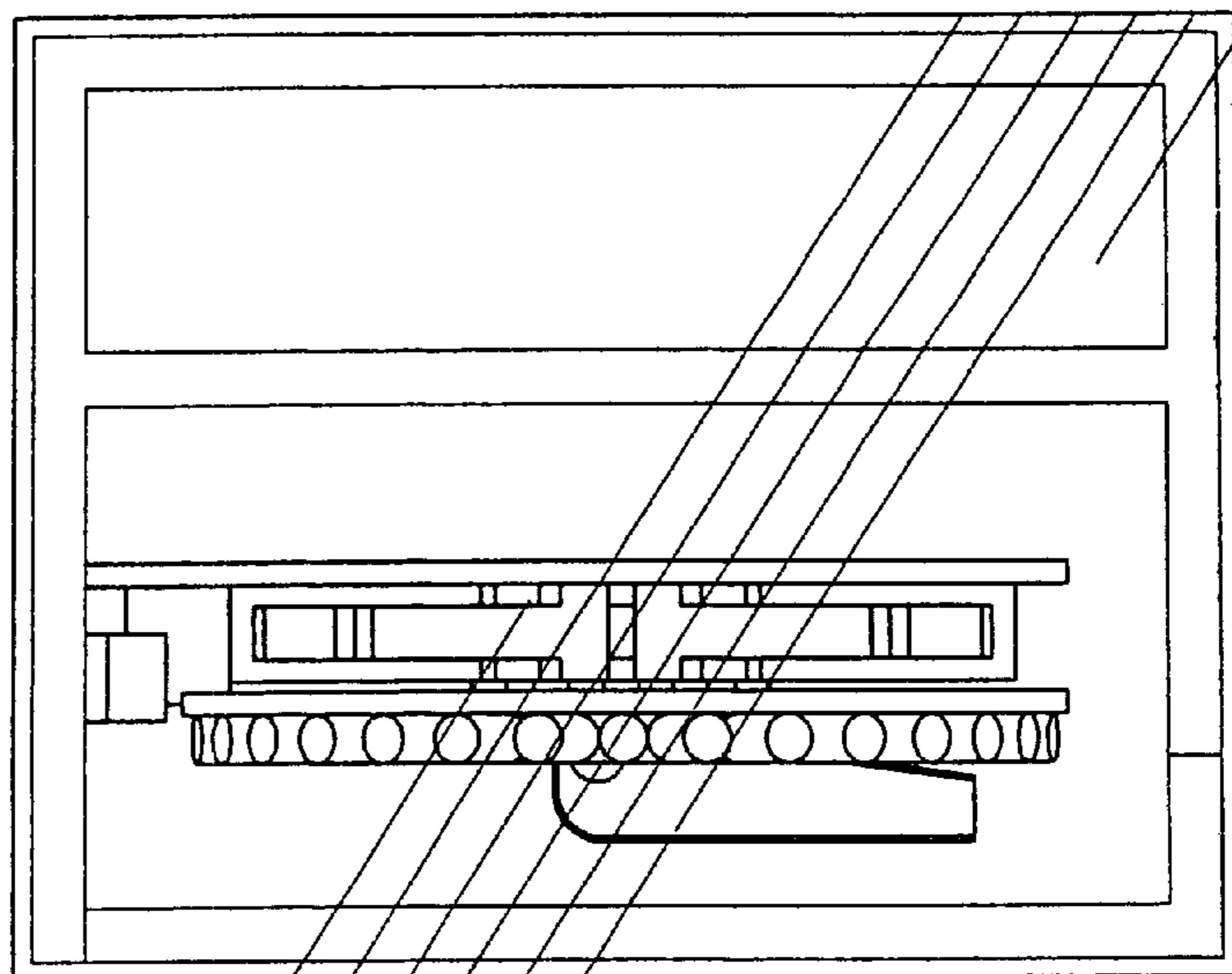


Fig-3

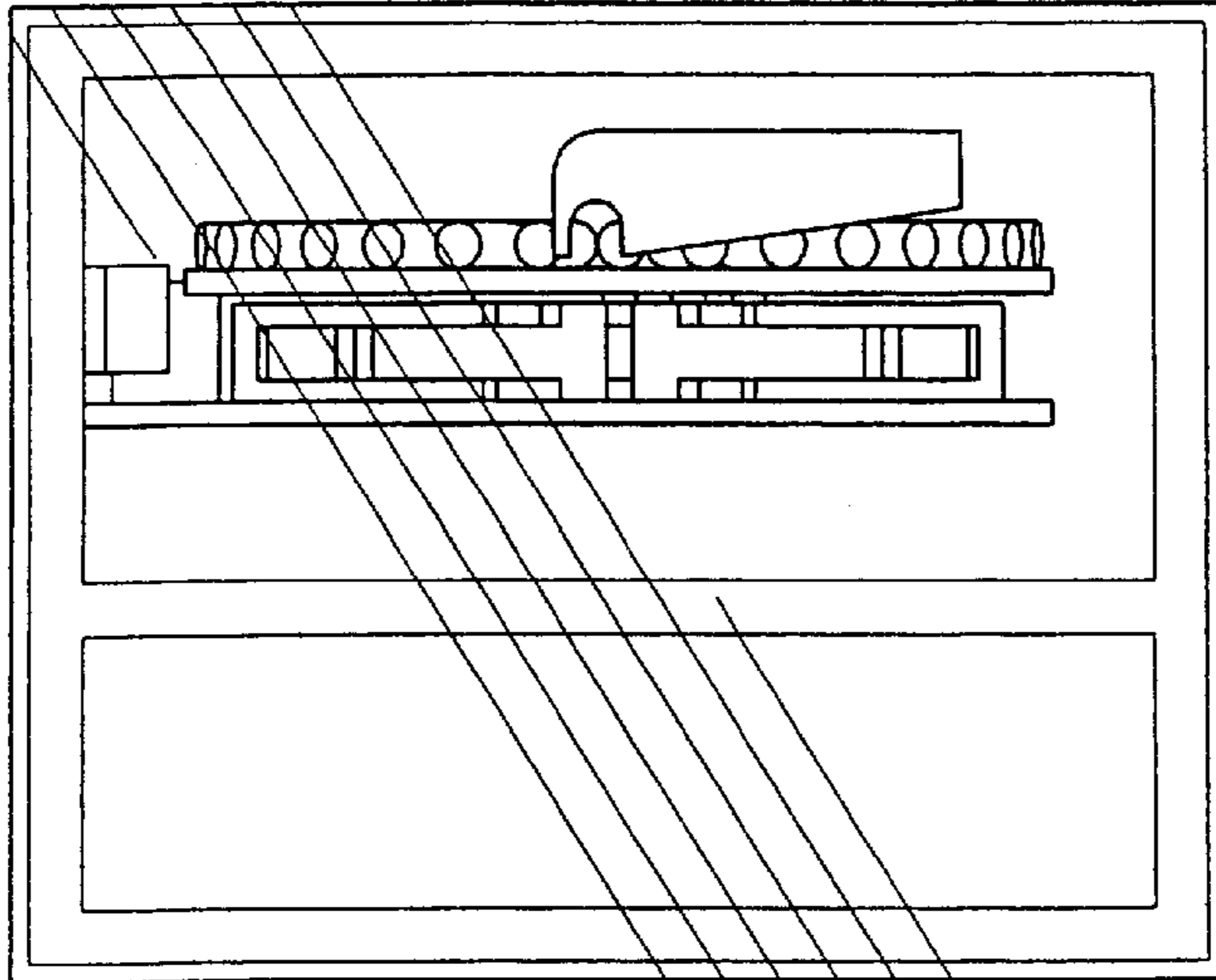


Fig-4

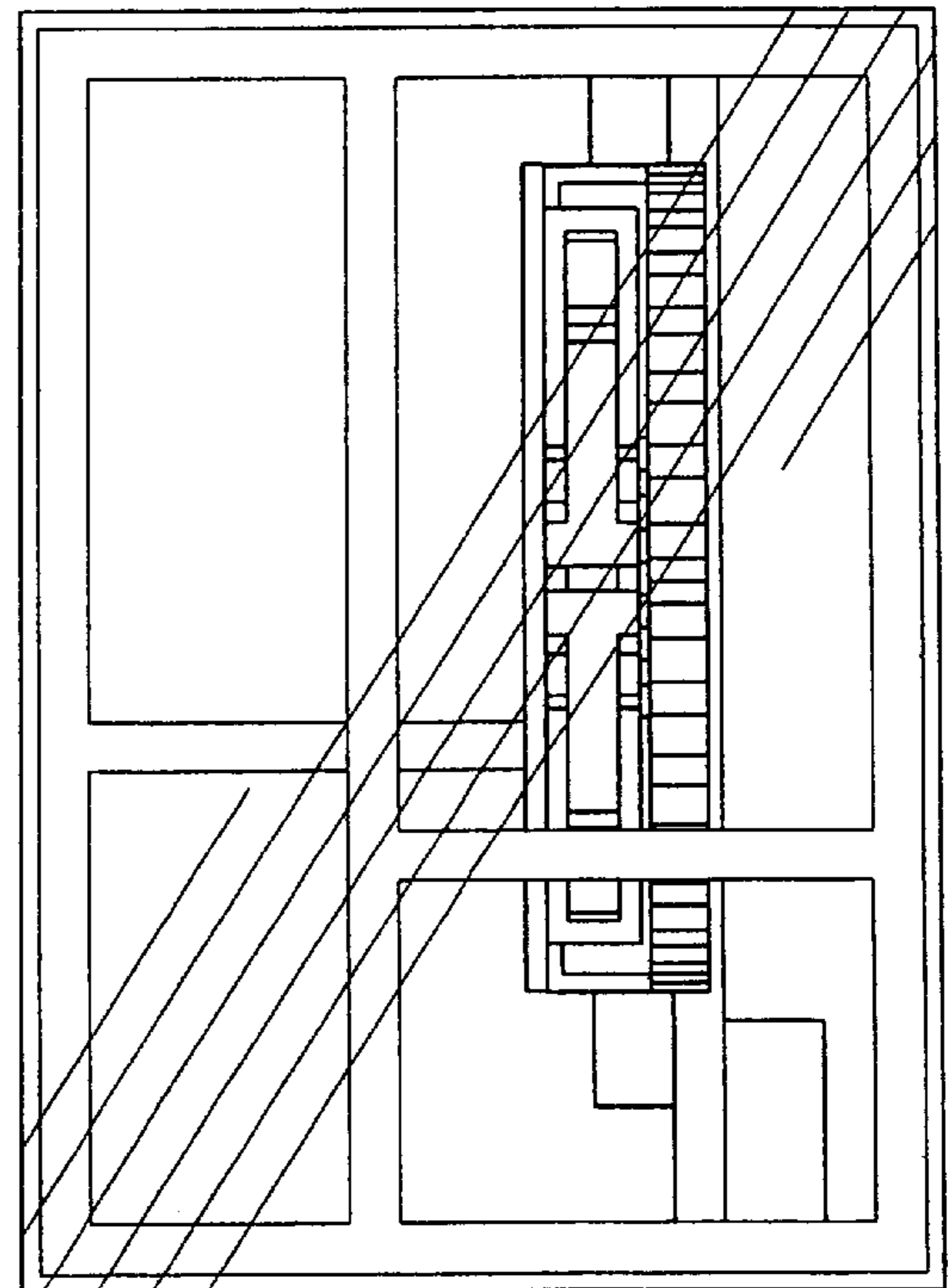


Fig-5

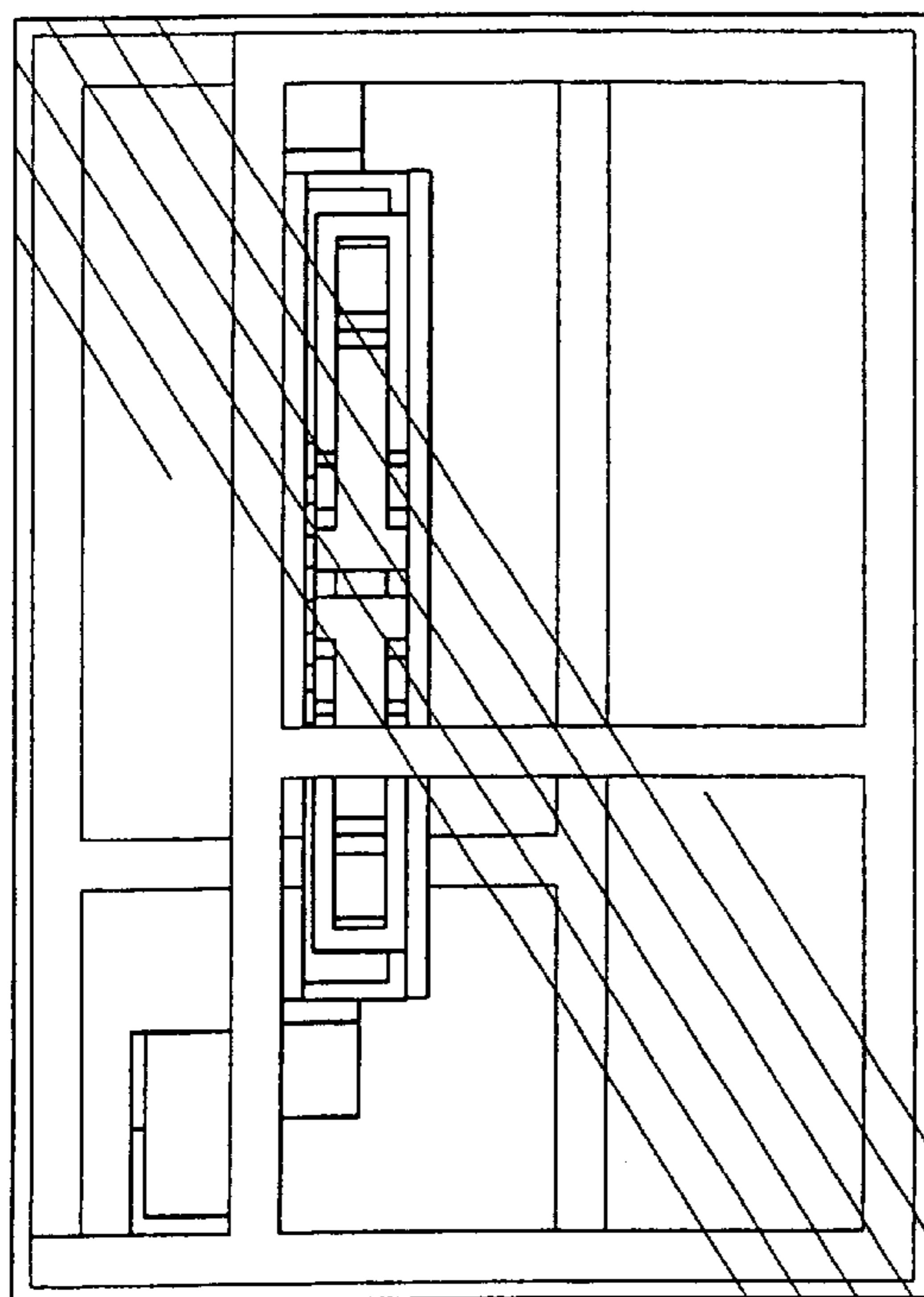


Fig-6