



US00D485304S

(12) **United States Design Patent**
Mori et al.

(10) **Patent No.:** **US D485,304 S**
(45) **Date of Patent:** **** Jan. 13, 2004**

(54) **PUNCH**

(75) Inventors: **Makoto Mori, Tokyo (JP); Hideyuki Suzuki, Tokyo (JP)**

(73) Assignee: **Carl Manufacturing Company, Ltd.**

(**) Term: **14 Years**

(21) Appl. No.: **29/175,065**

(22) Filed: **Jan. 29, 2003**

Related U.S. Application Data

(63) Continuation of application No. 09/767,864, filed on Jan. 24, 2001, now abandoned.

(51) **LOC (7) Cl.** **19-02**

(52) **U.S. Cl.** **D19/72**

(58) **Field of Search** D19/65, 75, 72,
D19/95, 99, 100; D8/49-51, 98; 30/358,
363; 83/167, 166, 588, 618, 468, 625-628,
620, 632, 633, 571, 549, 667, 669, 684;
227/7

(56) **References Cited**

U.S. PATENT DOCUMENTS

D193,231 S * 7/1962 Klien D19/72

D232,486 S * 8/1974 Dikoff D19/72 X
4,466,322 A * 8/1984 Mori 83/468
4,499,805 A * 2/1985 Mori 83/468
5,040,441 A * 8/1991 Tamura 83/166
D329,254 S * 9/1992 Mori D19/72
5,664,473 A * 9/1997 Huang 83/620
D386,790 S * 11/1997 Mori D19/72

* cited by examiner

Primary Examiner—Martie K. Holtje

(74) *Attorney, Agent, or Firm*—Wood, Phillips, Katz, Clark & Mortimer

(57) **CLAIM**

The ornamental design for a punch, as shown and described.

DESCRIPTION

FIG. 1 is a front, top and side perspective view of our design for a punch;

FIG. 2 is an elevation view thereof from the same side as in FIG. 1;

FIG. 3 is an elevation view thereof from the side opposite that in FIG. 1;

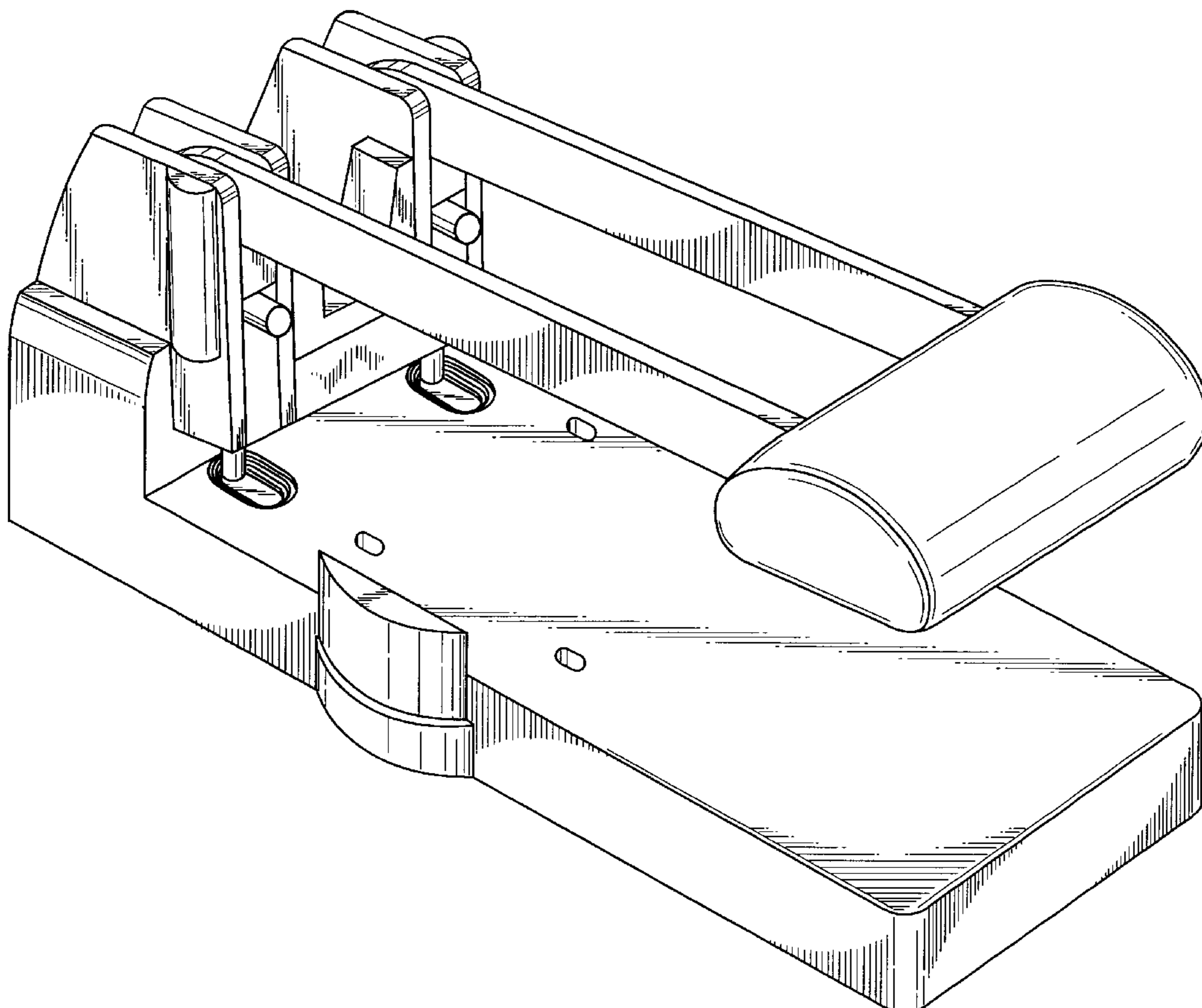
FIG. 4 is a front elevation view thereof;

FIG. 5 is a rear elevation view thereof;

FIG. 6 is a top plan view thereof; and,

FIG. 7 is a bottom plan view thereof.

1 Claim, 4 Drawing Sheets



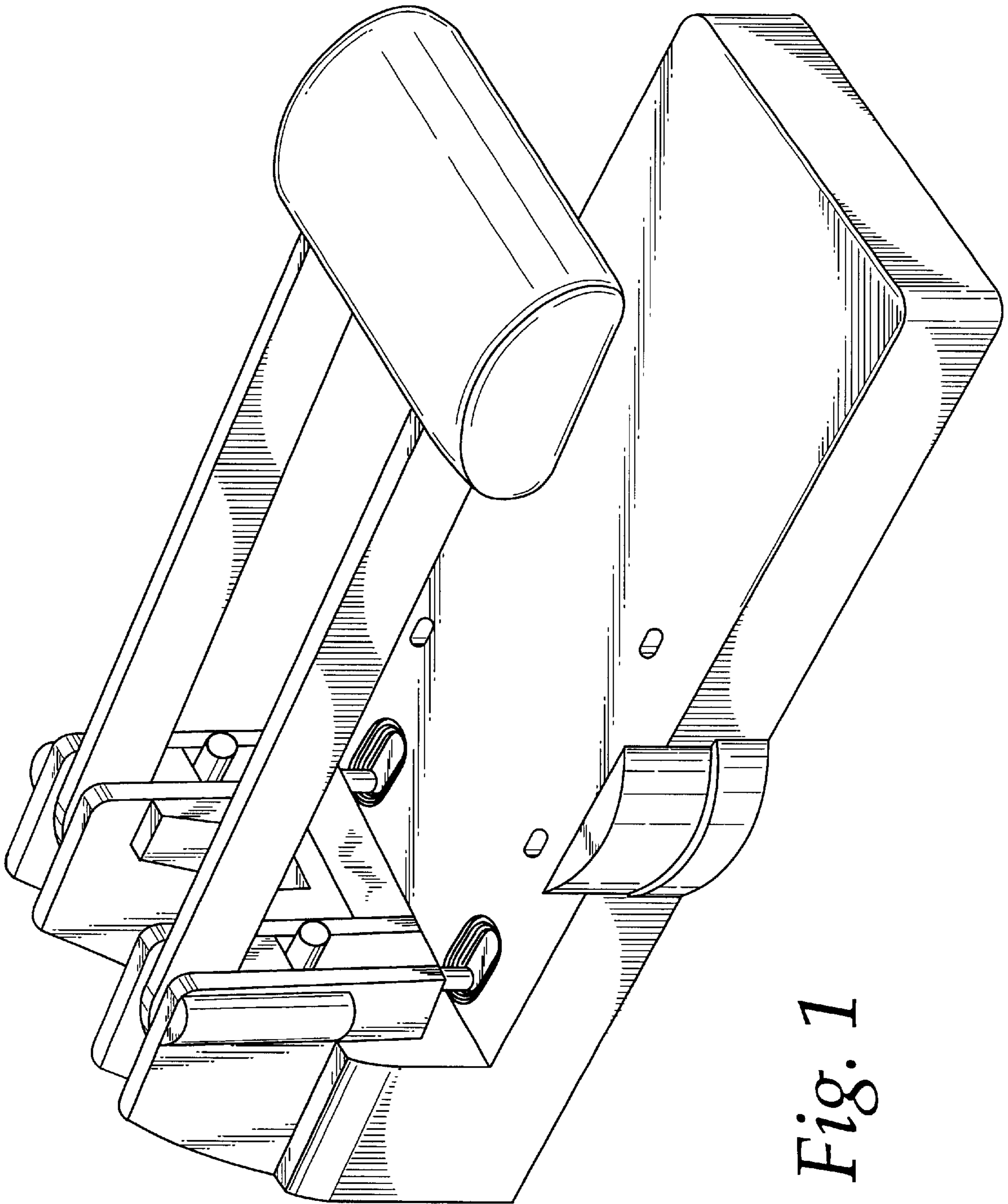


Fig. 1

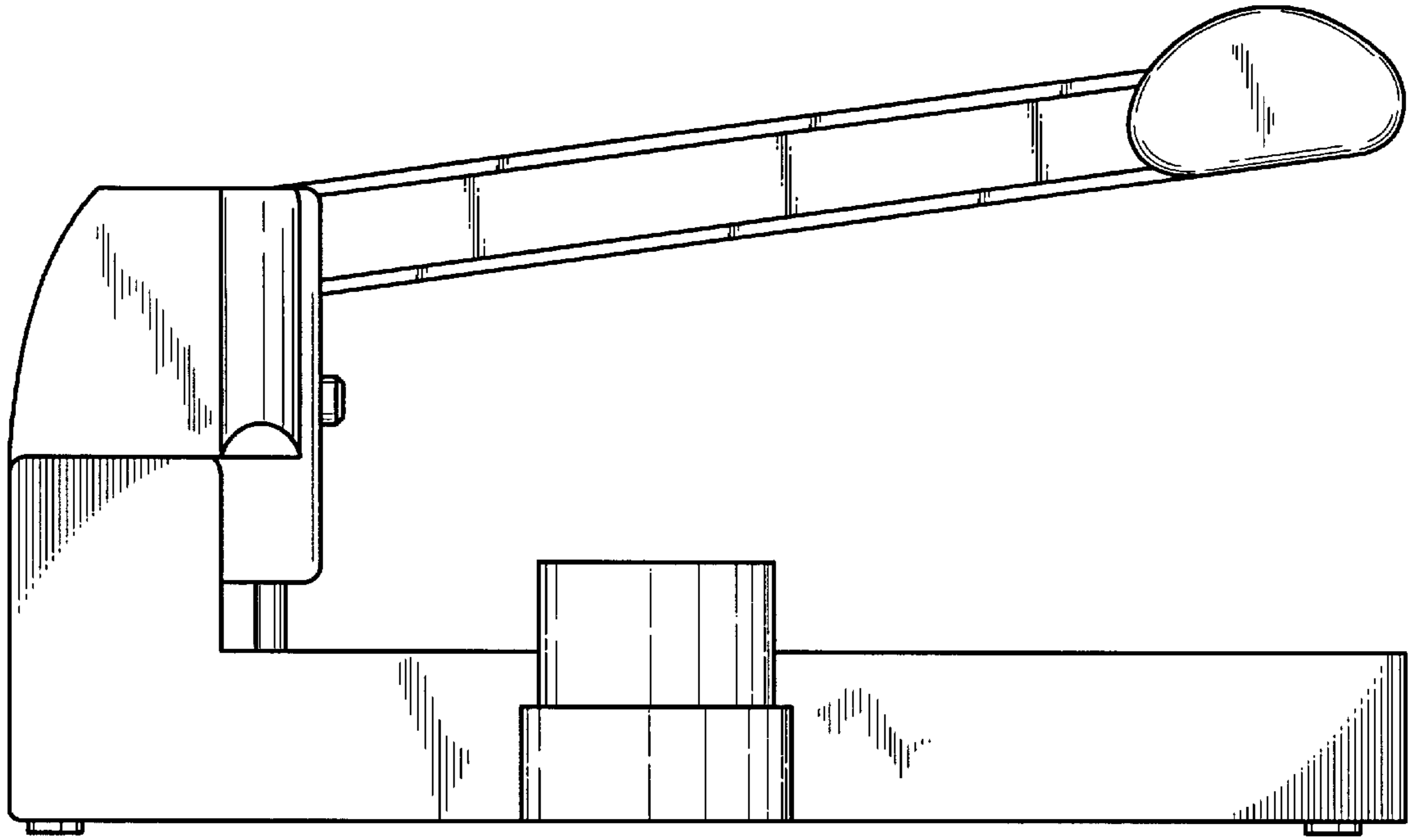


Fig. 2

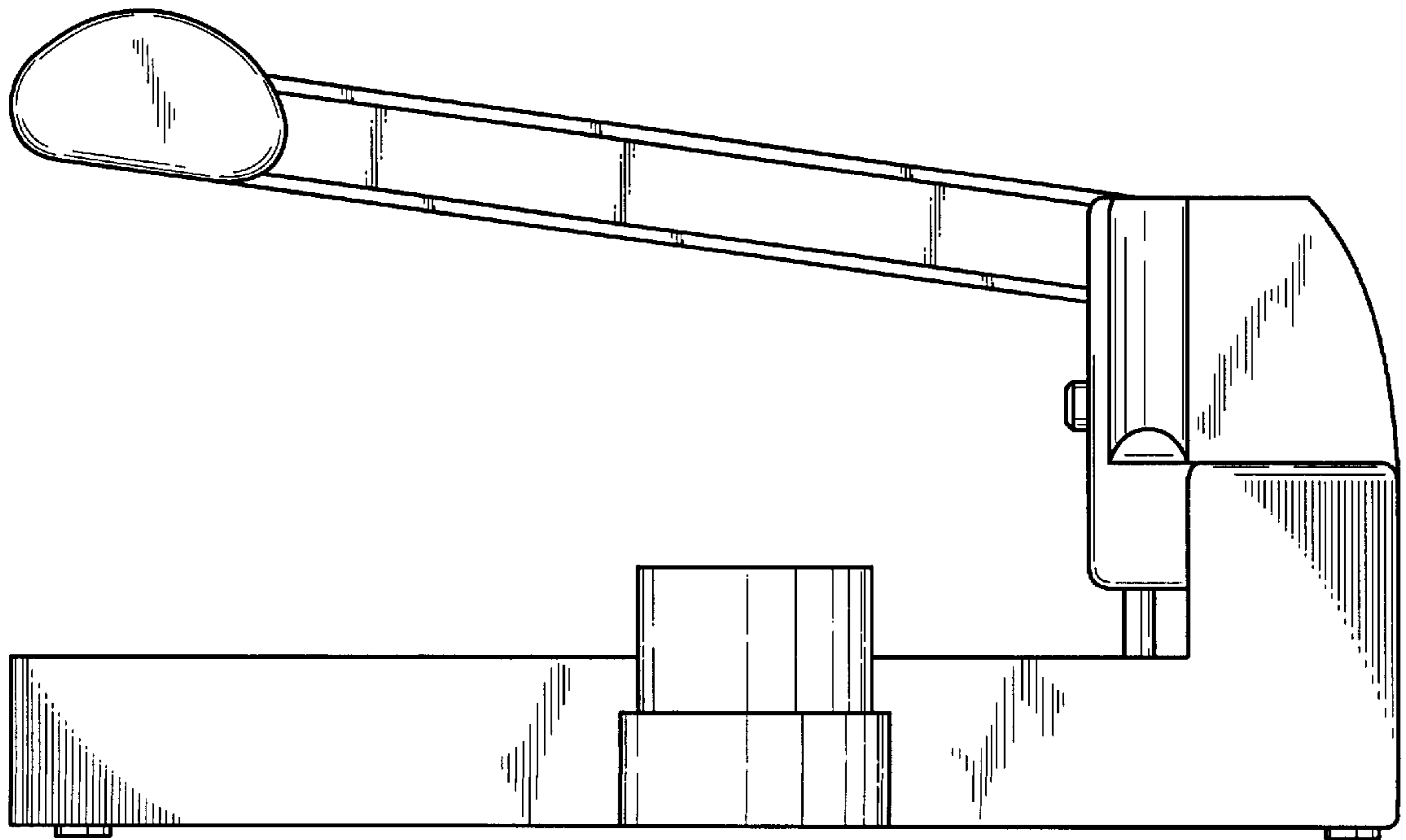


Fig. 3

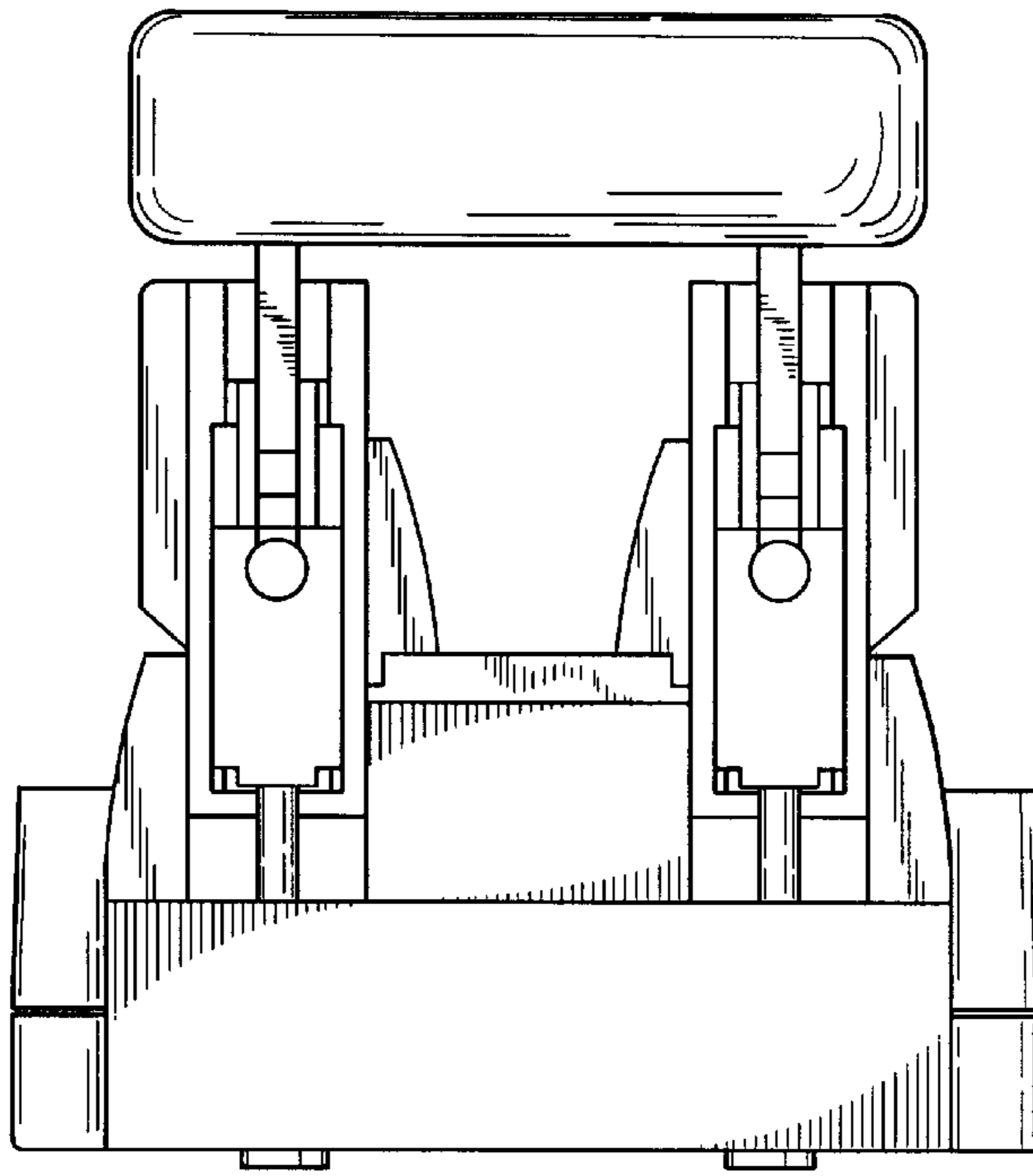


Fig. 4

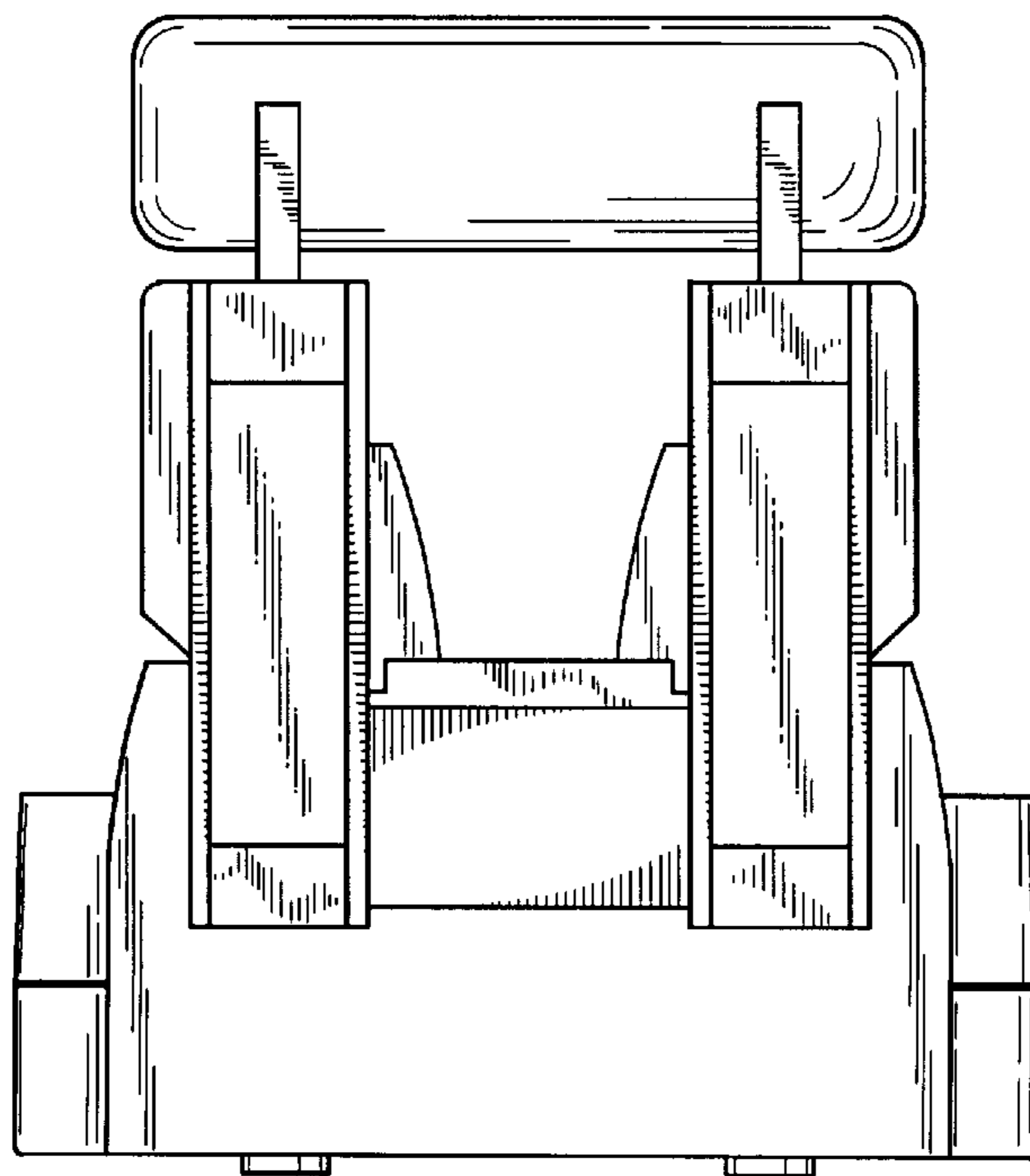


Fig. 5

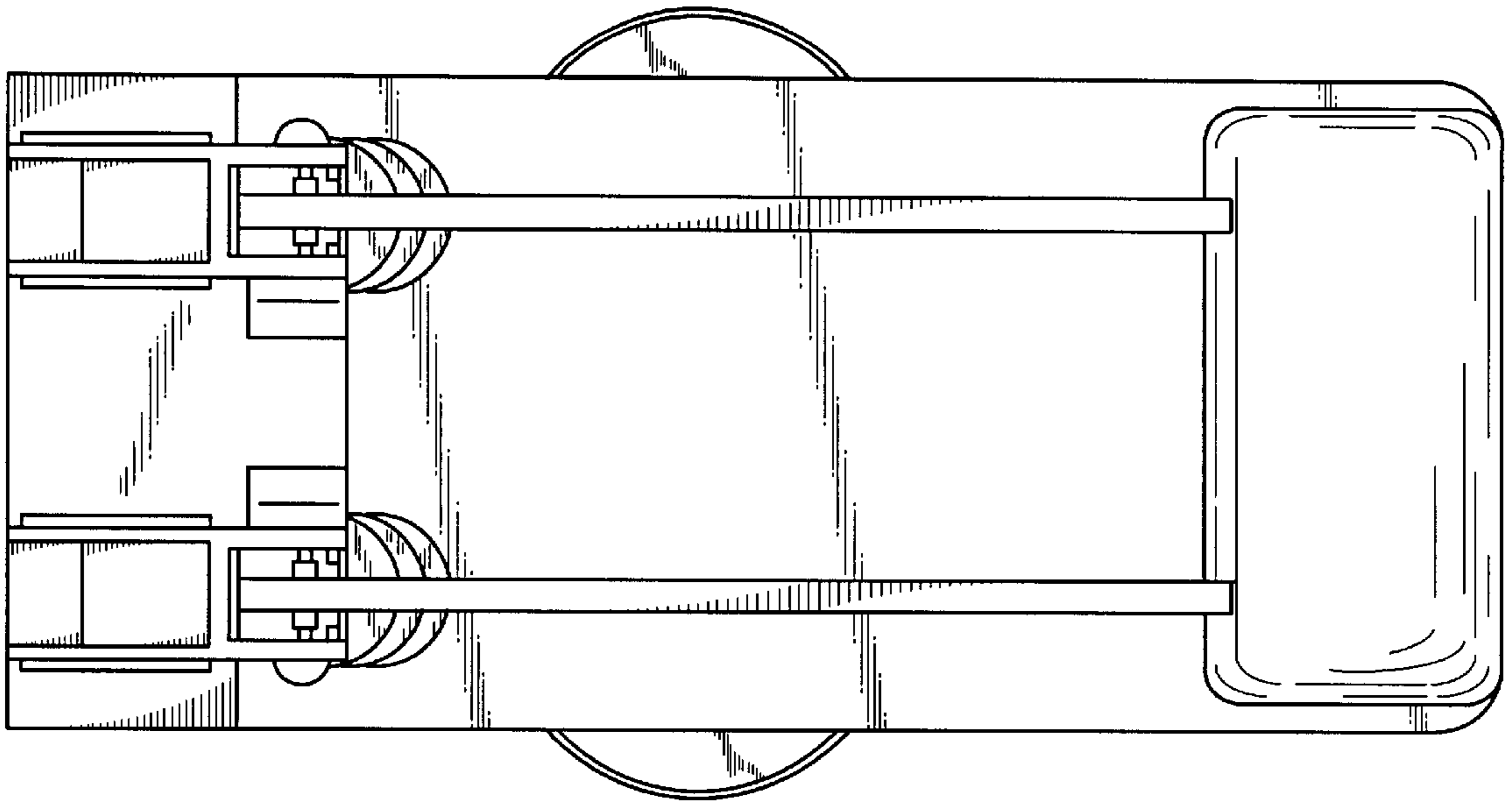


Fig. 6

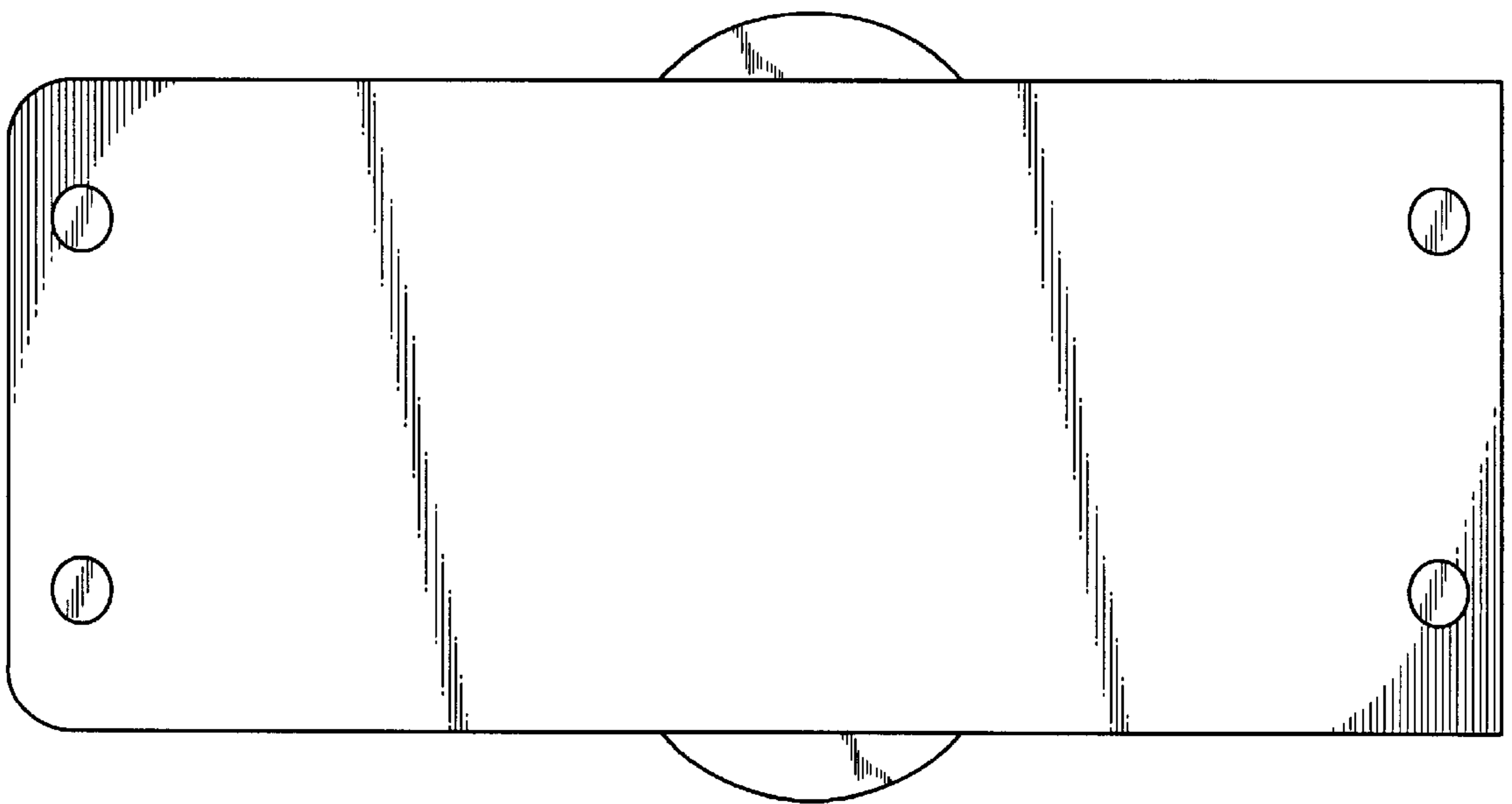


Fig. 7